



# BINGO

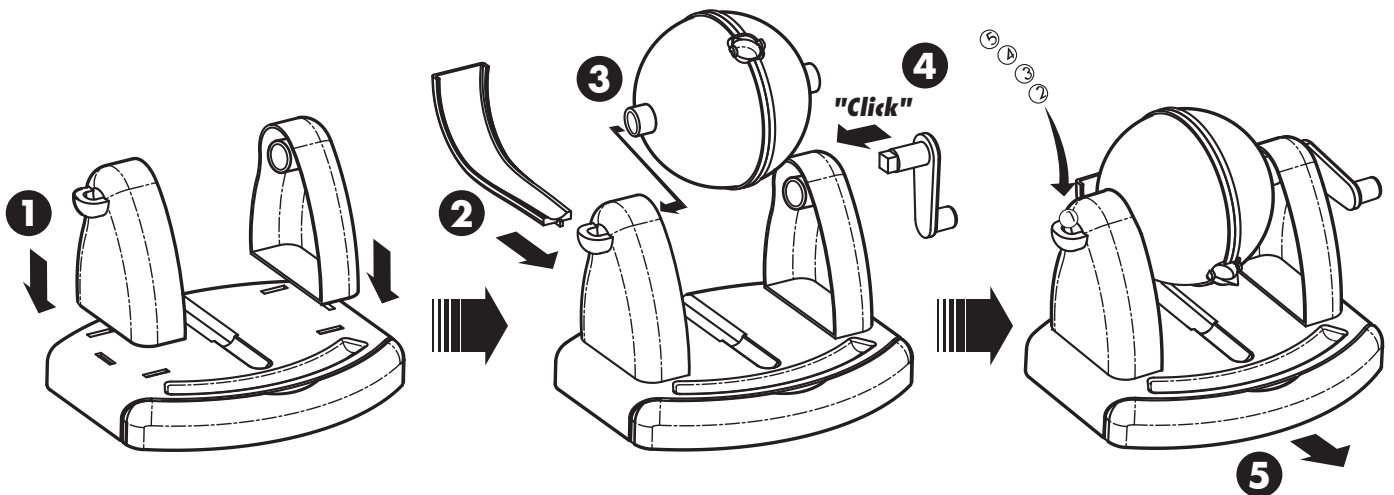
## & LOTTERY NUMBER SELECTOR

In addition to playing bingo this compact version of the game may be used to select lottery numbers. When playing Bingo the extending game tray is pulled out to reveal the 90 numbered checking board.

### CONTENTS

- 1 Automatic ball dispenser Bingo 'Cage' with extending checking board
- 90 Numbered Balls
- 10 Bingo Cards
- 120 Plastic Counters

### SETTING UP



### PLAYING BINGO

Divide the plastic counters equally among the players.

Each player takes a turn being the caller. The caller inserts all the balls into the 'Cage' and deals 1 Bingo card to each player.

The caller (or by agreement) decides the game play for each round. There are 4 choices.

- **Top Line** : The first player to cover all the numbers on the top line of his/her Bingo card is the winner.
- **Middle Line** : The first player to cover all the numbers on the middle line of his/her Bingo card is the winner.
- **Bottom Line** : The first player to cover all the numbers on the bottom line of his/her Bingo card is the winner.
- **Full House** : The first player to cover all the numbers on his/her Bingo card is the winner.

Note : One round may also consist of a combination of eg. a top line & full house etc.

The caller turns the handle – first anti-clockwise to mix up the balls and then clockwise. A ball will automatically be dispensed. The caller removes the ball from the chute, calls out the number on that ball to all the players and places the ball in the corresponding numbered hole in the tray.

The players look for that number on their cards and if they have it, they place a plastic counter on it.

The caller continues to call out the numbers until a player calls 'Bingo!'. This means a player has covered all the numbers required to win that game. The caller then checks that all the numbers covered correspond to the numbered balls in the tray. If correct the player is the winner. If not play continues until a winner is declared by the caller.

The caller then returns all the balls to the cage, collects the cards and passes the 'Cage' & Bingo cards to another player who becomes caller for the next round.

### SELECTING LOTTERY NUMBERS

With the checking board in its closed position, turn the handle - anticlockwise first to mix up the balls and then clockwise. A ball will automatically be dispensed into the chute. Place this ball into the groove in front of the cage. Repeat until all required numbers have been selected. Good luck!



ARGOS HELPLINE : 08456 400 800