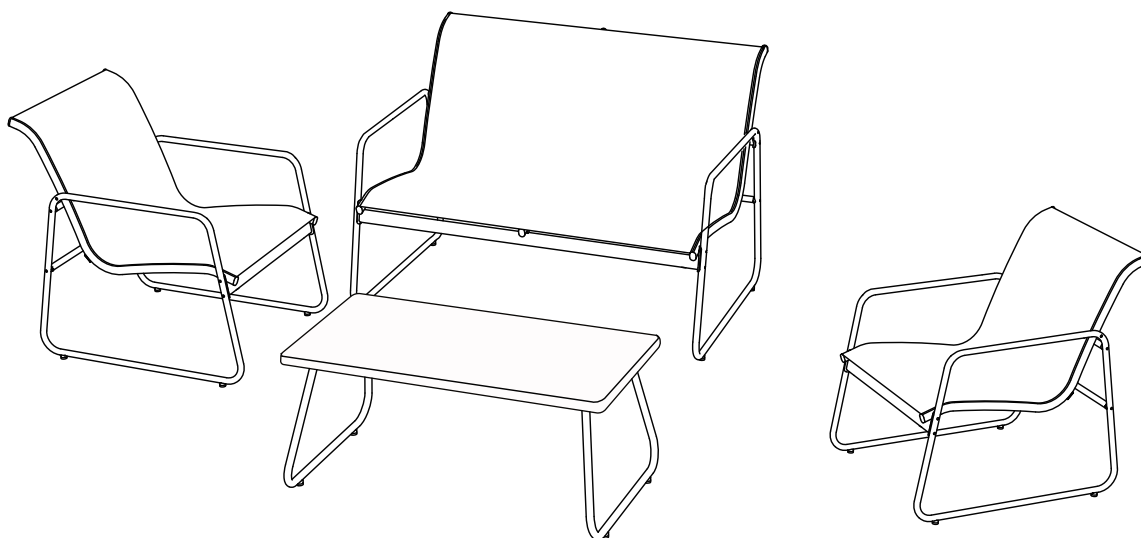



Cali 4 Seater Lounge Set Terracotta



Spare Parts

 www.argos-support.co.uk

 Help@ClickSpares.co.uk

 0370 112 1928

Customer Support

 0345 640 2020



Safety and Care Advice

Product Details

3901498

IMPORTANT, RETAIN FOR FUTURE REFERENCE: READ CAREFULLY.

- Keep children and animals away from the work area, small parts could choke if swallowed.

- Make sure you have enough space to layout the parts before starting.

- This product has been constructed to be used in the domestic environment only and not for commercial purposes.

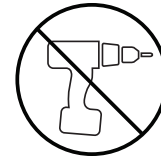
- Make sure you have enough space to layout the parts before starting.

- Assemble the item as close to its final position (in the same room) as possible.

- Assemble on a soft level surface to avoid damaging the unit or your floor.

- Remove all fittings from the plastic bags and separate them into their groups.

- Do not stand or put weight on the product during assembly, this could cause damage.



as this could damage the unit. Only use hand screwdrivers.

- We do not recommend the use of power drill/drivers for inserting screws
- Parts of the assembly will be easier with 2 people.
- Dispose of all packaging carefully and responsibly.

Care and maintenance

- During assembly do not lay the glass directly onto hard or rough surfaces. We recommend laying the glass on a blanket or cardboard during assembly. You could even use the box.

- When lifting or moving the product, ask for someone to lend a hand, trying to move a product on your own can lead to accidents.

- Do not place very hot or very cold items, such as saucepans or barbecues, directly on the glass surface. Extreme temperature differences over small areas can damage glass.

- Do not use furniture if any parts are missing or broken. Contact your retailer immediately.

- Do not drag rough or heavy objects over the top of the glass.

- Do not strike the glass with hard or pointed items, or use the glass as a chopping surface.

- We recommend using place mats, coasters and table cloths to help protect against scratches and accidentally dropped items.

- Clean the glass regularly to make sure there are no grit on the top.

- Do not clean glass with washing powders or any other substances containing abrasives, since these substances can scratch glass.

- For tables that can be used outdoors, if your table has a parasol, make sure the edge of the parasol cut-out has a protector in place. In addition always use a weighted parasol base, and remove the parasol in windy conditions. Parasols can put pressure on the table top or even blow the table over in windy weather.

- For tables that can be used outdoors it is advised that the table is kept covered when not in use to protect the glass from the weather and accidental damage.

- Do not sit or stand upon the glass surface.



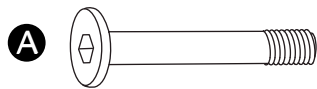
Safety and Care Advice

Additional Guidance

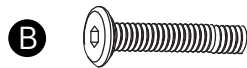
- Assemble all parts and bolts loosely during assembly, only once the product is complete should you fully tighten the bolts.
- Regularly check and ensure that all bolts and fittings are tightened properly.
- Do not fully tighten all screws until assembly is completed.
- Make sure the assembly will be easier with 2 people.
- Only clean using a damp cloth and mild detergent, do not use bleach or abrasive cleaners.
- Make sure each screw matches the corresponding figure to ensure correct assembly.
- From time to time check that there are no loose screws on this chair.
- This product should not be discarded with household waste. Take to your local authority waste disposal centre.
- This product is compliant BS EN581-1; BS EN581-2; BS EN581-3.

Fittings (Shown to scale)

Bag 1



A 55mm Screw x 12



B 40mm Screw x 20



C 15mm Screw x 8



D Plastic Washer x12



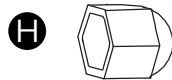
E Metal Washer x54



F Nut x14



G Screw Cap x40



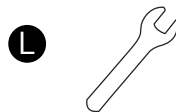
H Nut Cap x14



J Washer C x12



K Allen key x 1

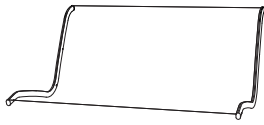


L Wrench x1



M Adjustable Screw Foot Cap x 16
(assembled)

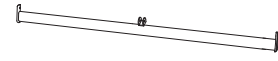
Components



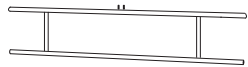
1 Sofa Seat
(1125 x 770 x 390mm)



2 Leg (x6)
(560 x 640 x 19mm)



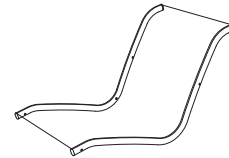
3 Sofa Front Tube
(1125 x 42 x 14mm)



4 Sofa Back Tube
(1130 x 1050 x 16mm)



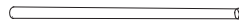
5 Support Tube (x4)
(Diam16 x 590mm)



6 Chair Seat (x2)
(590 x 770 x 390mm)



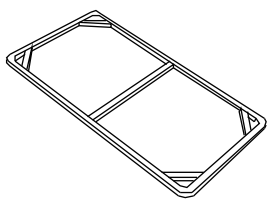
7 Chair Front Tube (x2)
(590 x 42 x 14mm)



8 Chair Back Tube (x4)
(Diam10 x 590mm)

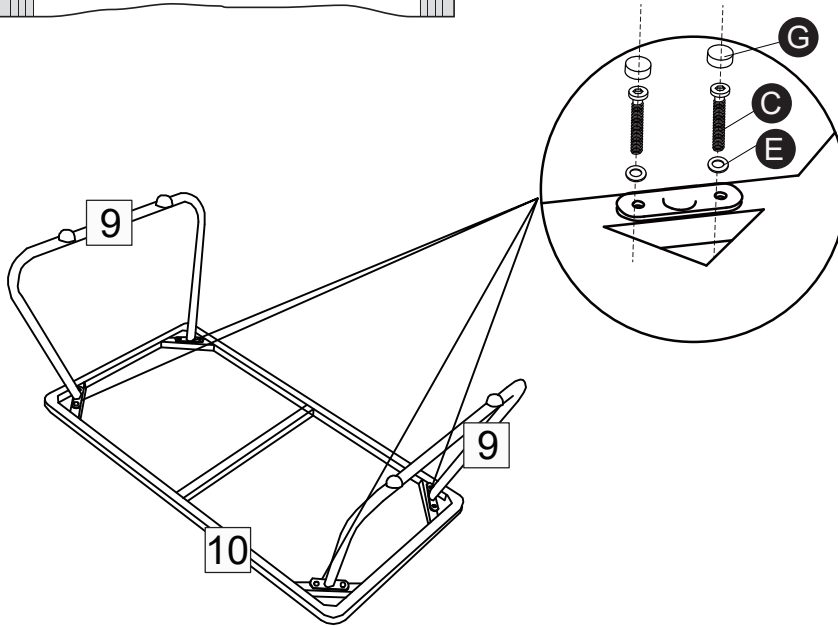
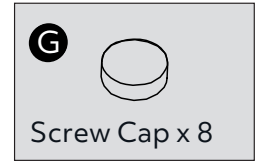
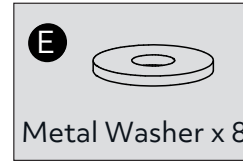
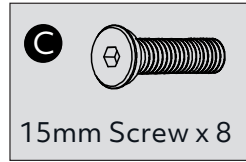
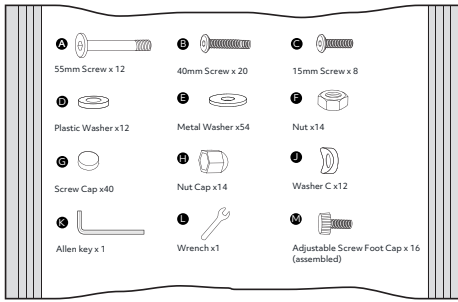


9 Table Leg (x2)
(390 x 840 x 19mm)



10 Table Top
(855 x 450 x 19mm)

1



NOTE: During assembly do not lay directly onto hard or rough surfaces. We recommend laying on a blanket or cardboard during assembly. You could even use the box.

2

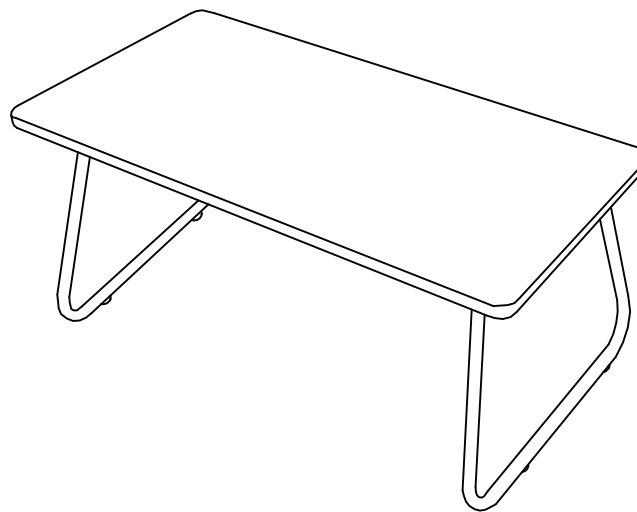
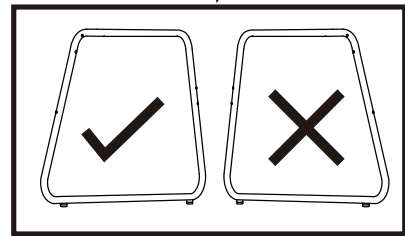
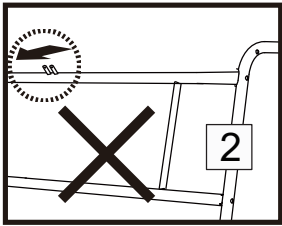
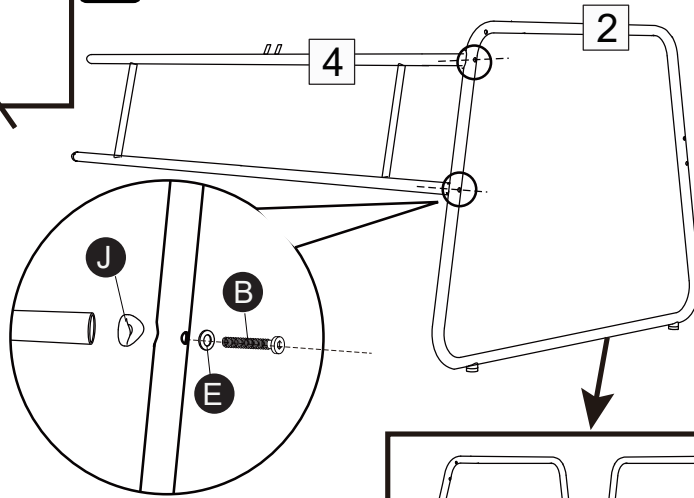
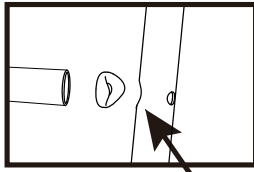
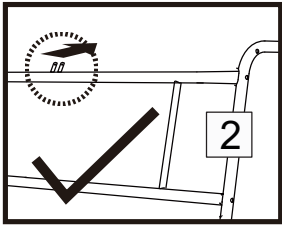
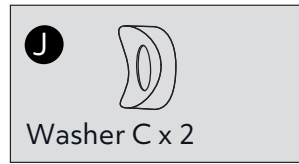
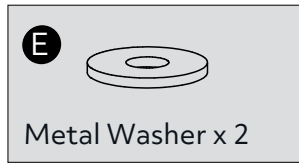
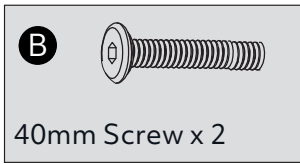


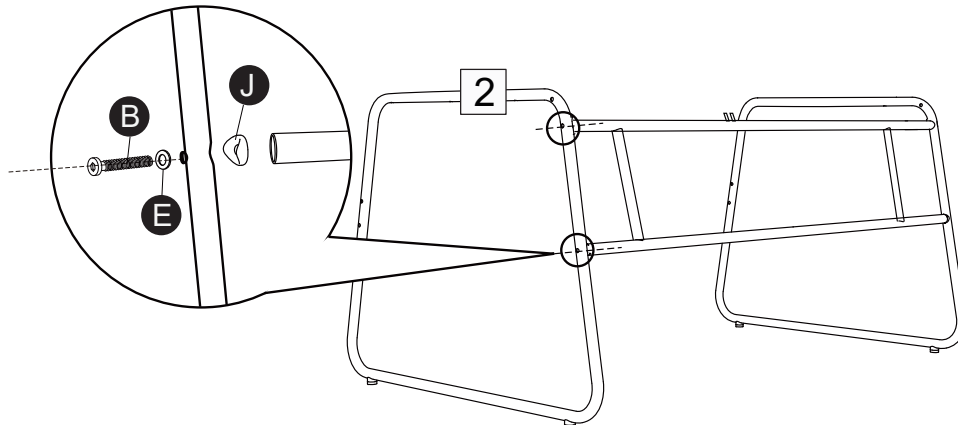
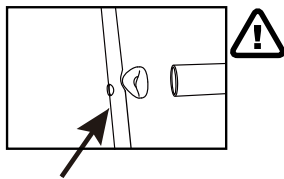
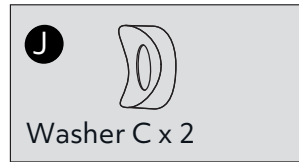
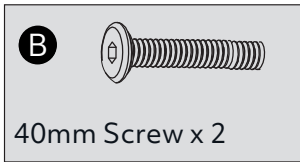
Table assembly is completed.

3



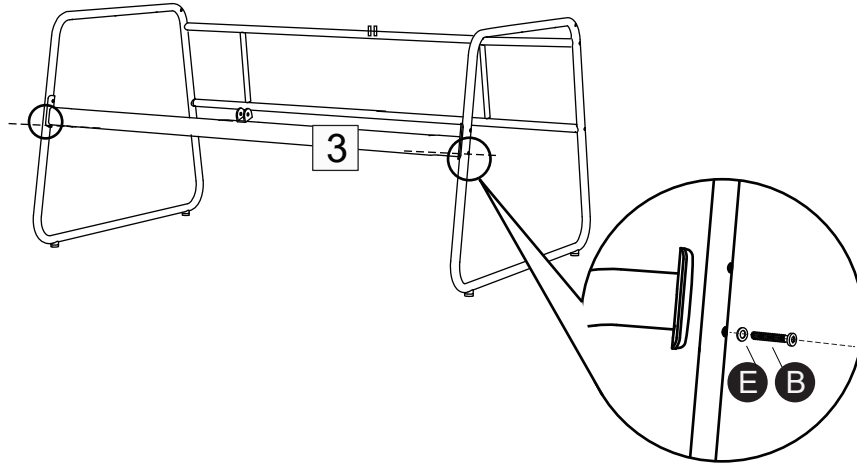
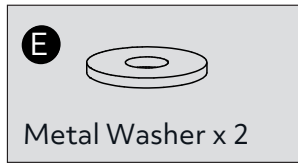
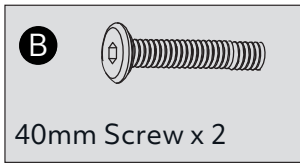
 Repeat
x2

4



 Repeat
x2

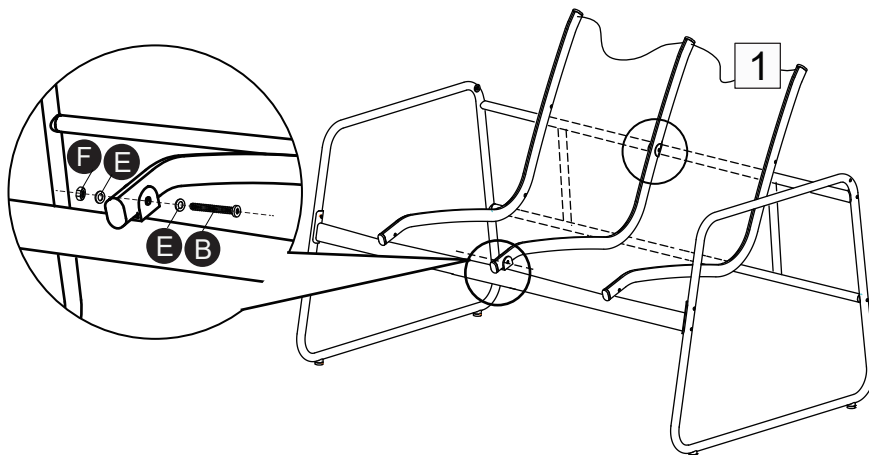
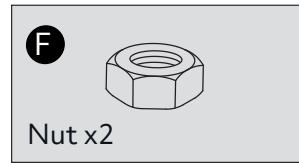
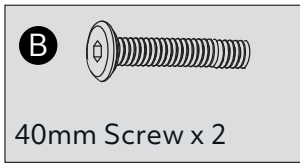
5



 Repeat
x2

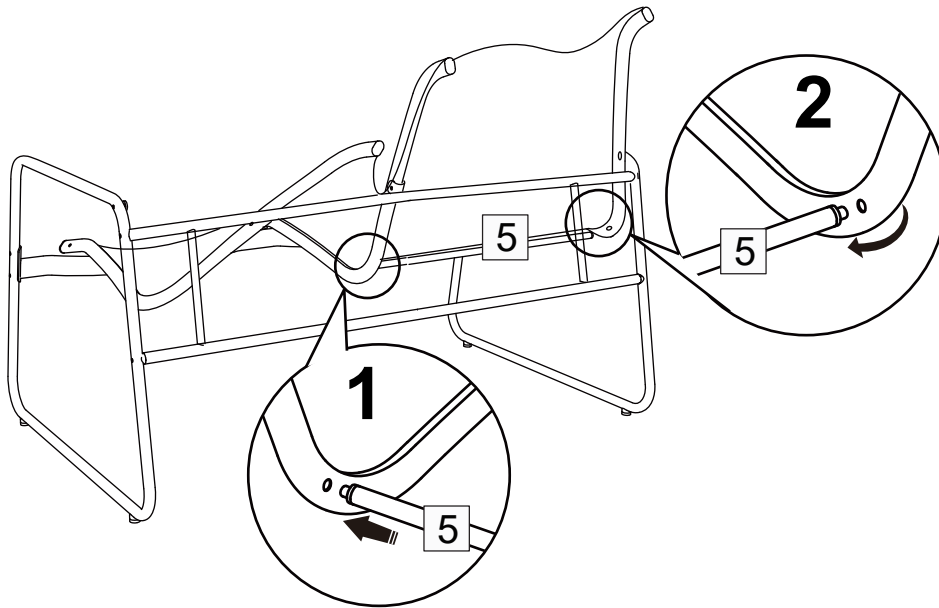
 Turn
Product

6

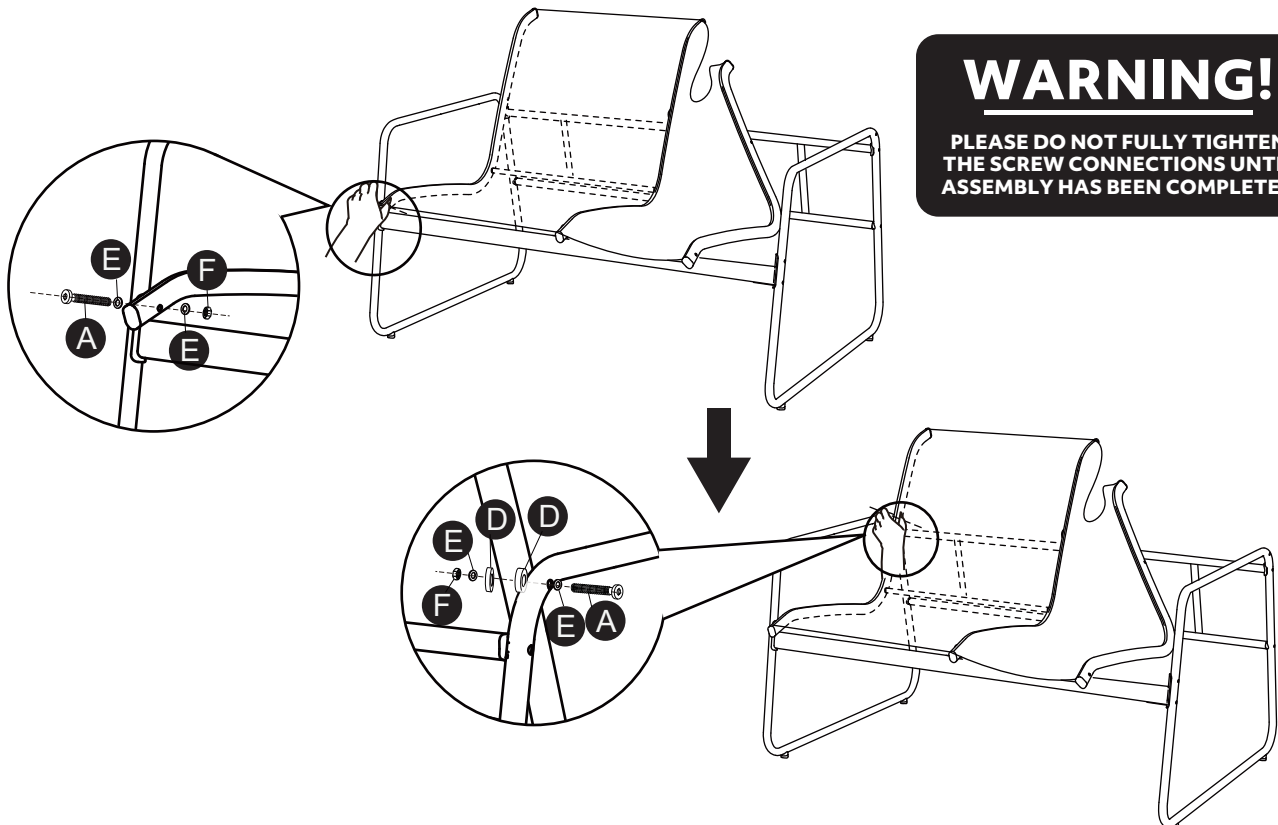
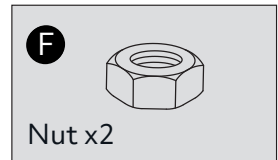
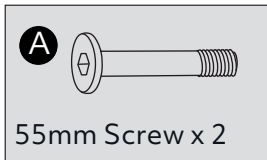


 Repeat
x2

7



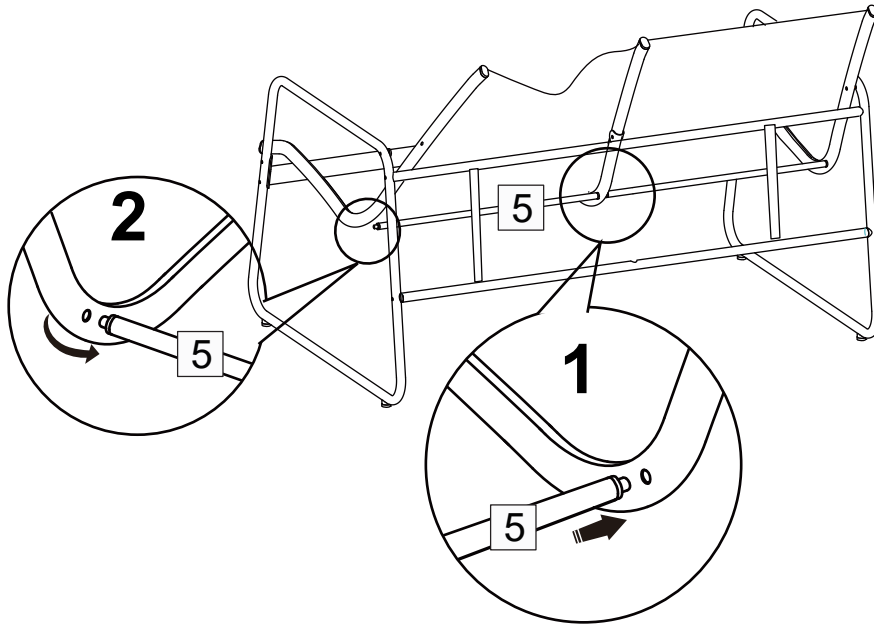
8



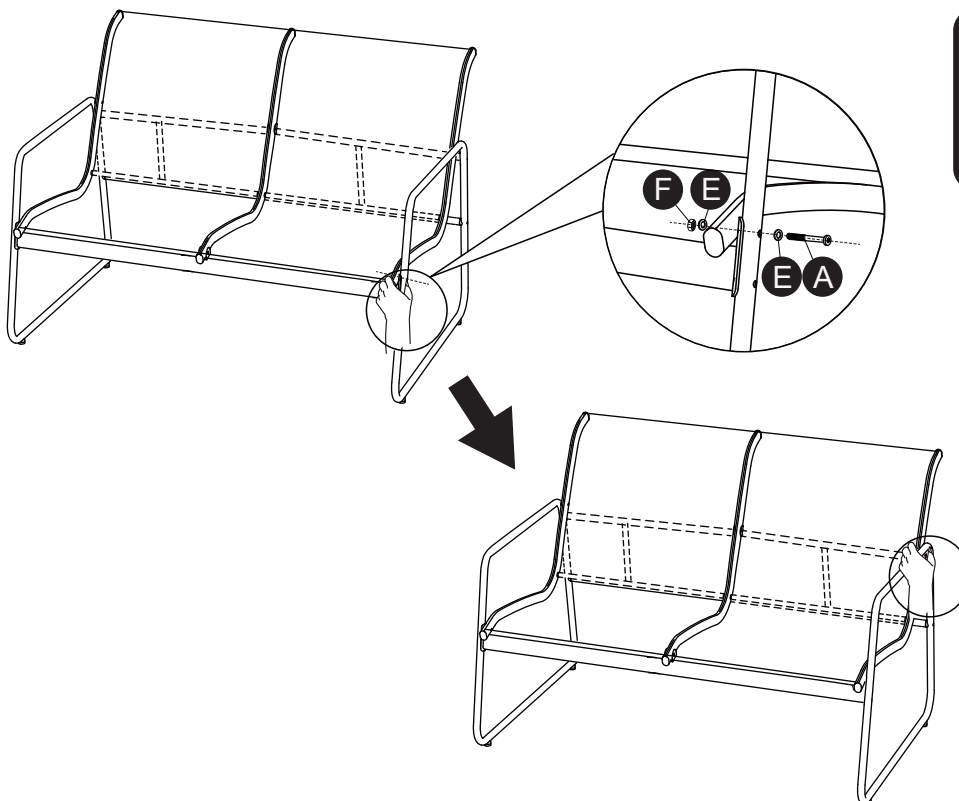
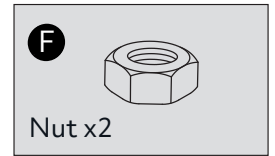
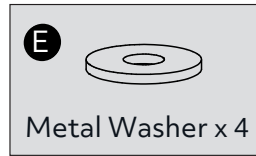
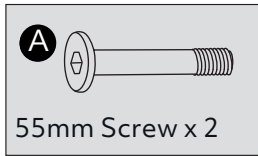
WARNING!

PLEASE DO NOT FULLY TIGHTEN THE SCREW CONNECTIONS UNTIL ASSEMBLY HAS BEEN COMPLETED

9



10



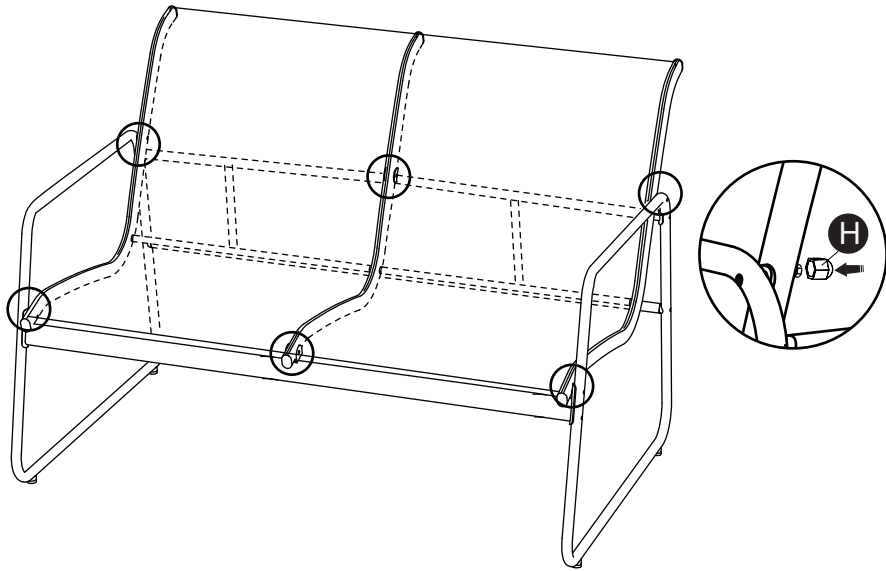
WARNING!
PLEASE DO NOT FULLY TIGHTEN
THE SCREW CONNECTIONS UNTIL
ASSEMBLY HAS BEEN COMPLETED

11

H



Nut Cap x 6



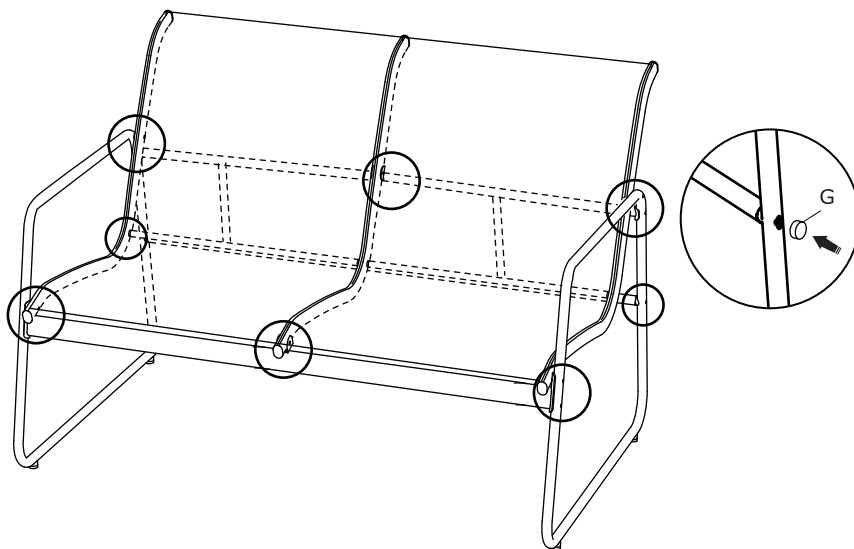
Repeat
x6

12

G



Screw Cap x 12

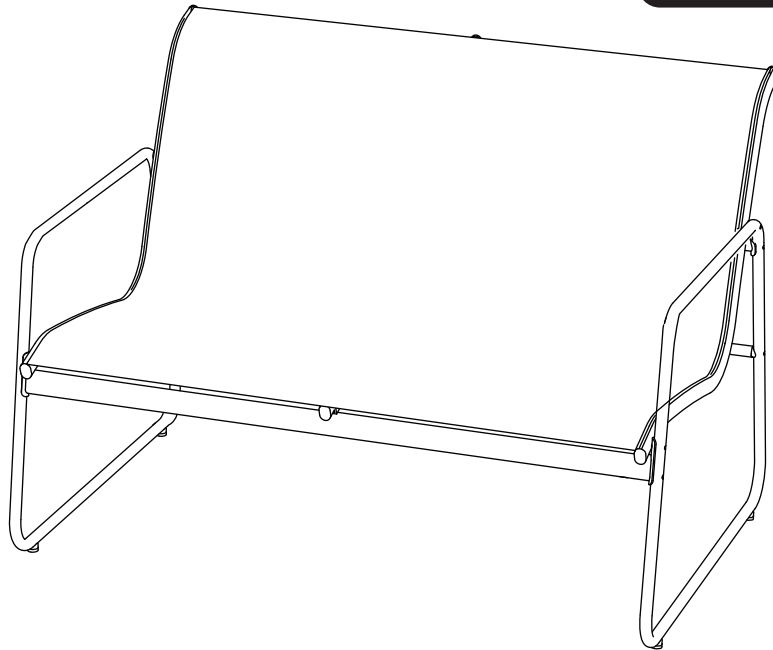


Repeat
x12

13

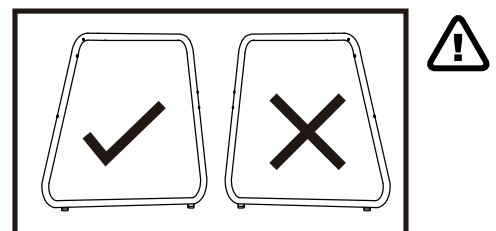
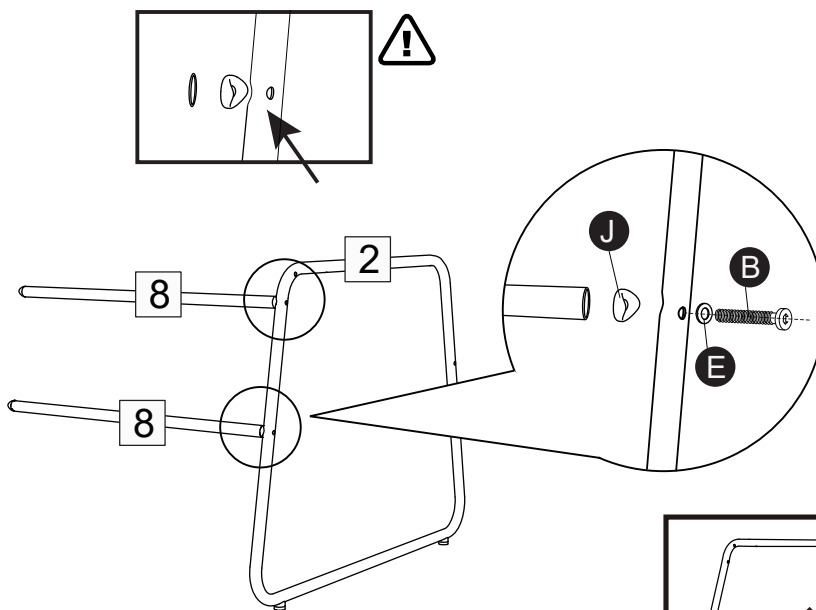
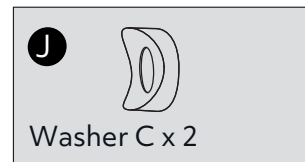
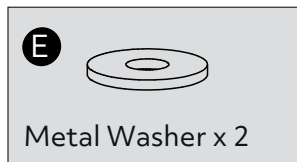
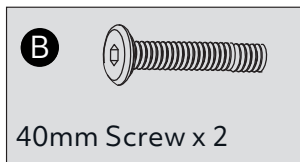
WARNING!

IF THE SEAT COVER WRINKLES AFTER ASSEMBLY, YOU CAN CAREFULLY USE A HAIR DRYER TO SMOOTH IT OUT.



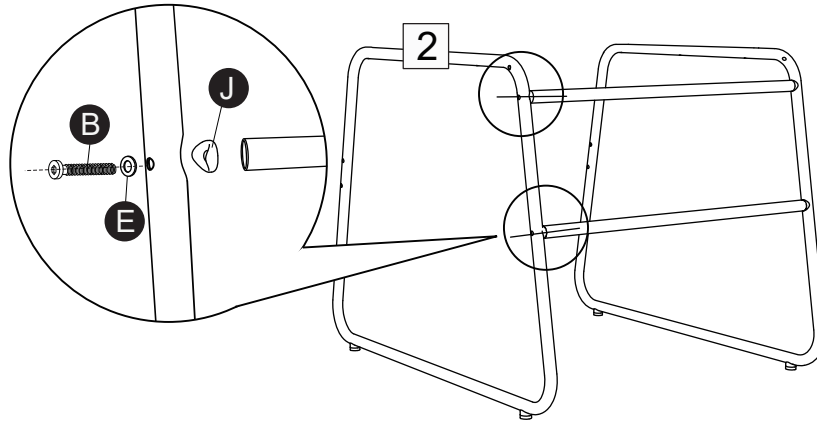
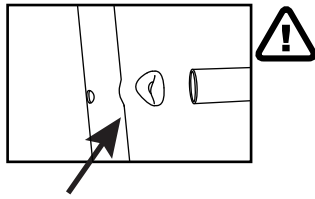
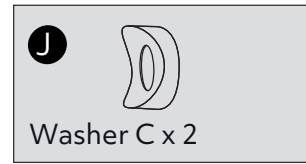
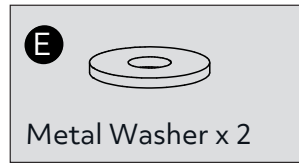
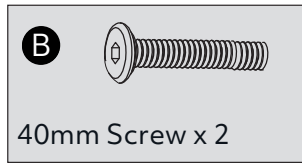
Assembly is completed.

14



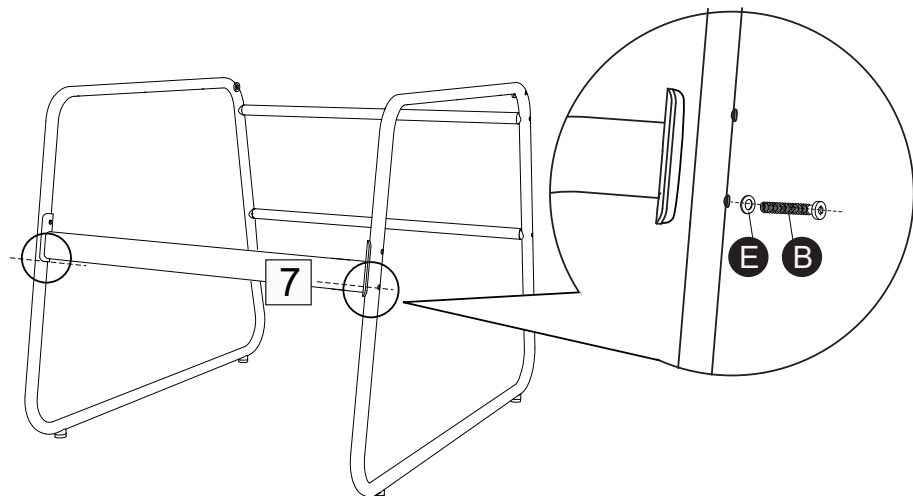
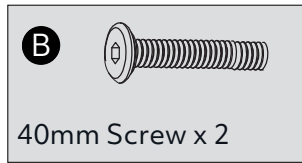
Repeat
x2

15



 Repeat
x2

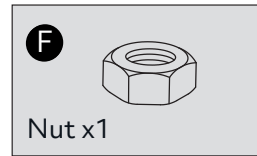
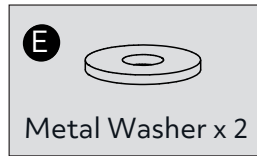
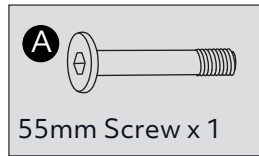
16



 Repeat
x2

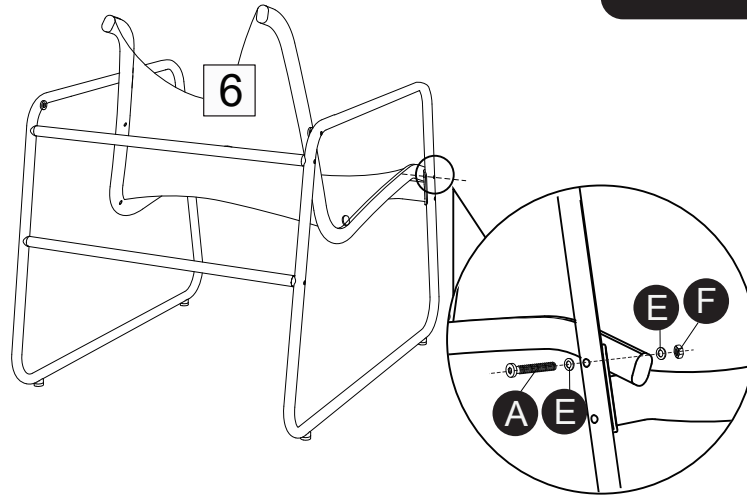
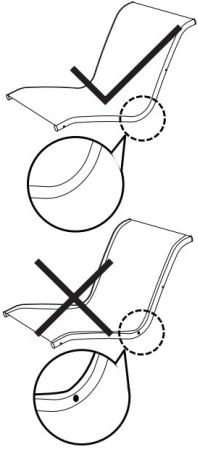
 Turn
Product

17

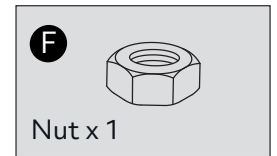
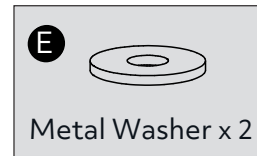
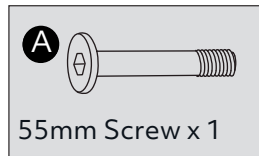


WARNING!

PLEASE DO NOT FULLY TIGHTEN THE SCREW CONNECTIONS UNTIL ASSEMBLY HAS BEEN COMPLETED

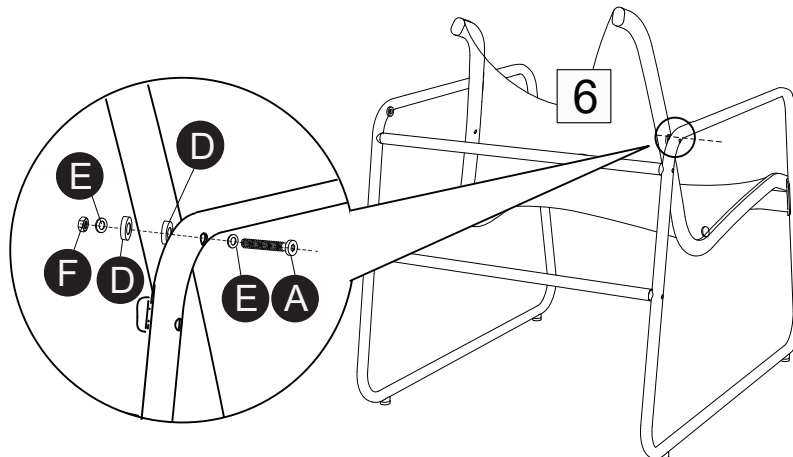


18

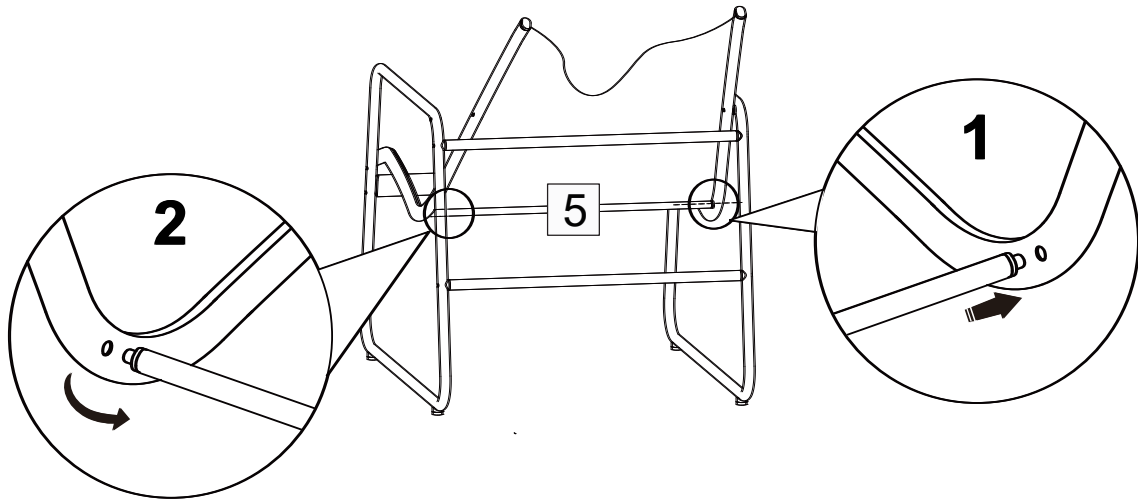


WARNING!

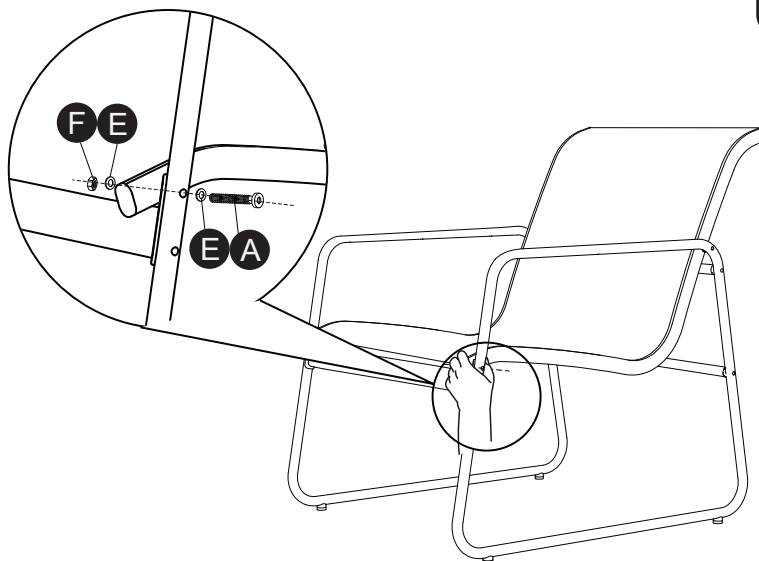
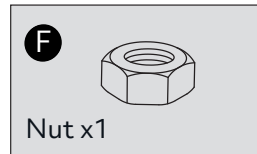
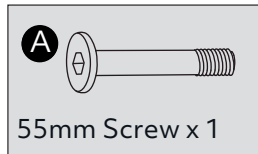
PLEASE DO NOT FULLY TIGHTEN THE SCREW CONNECTIONS UNTIL ASSEMBLY HAS BEEN COMPLETED



19



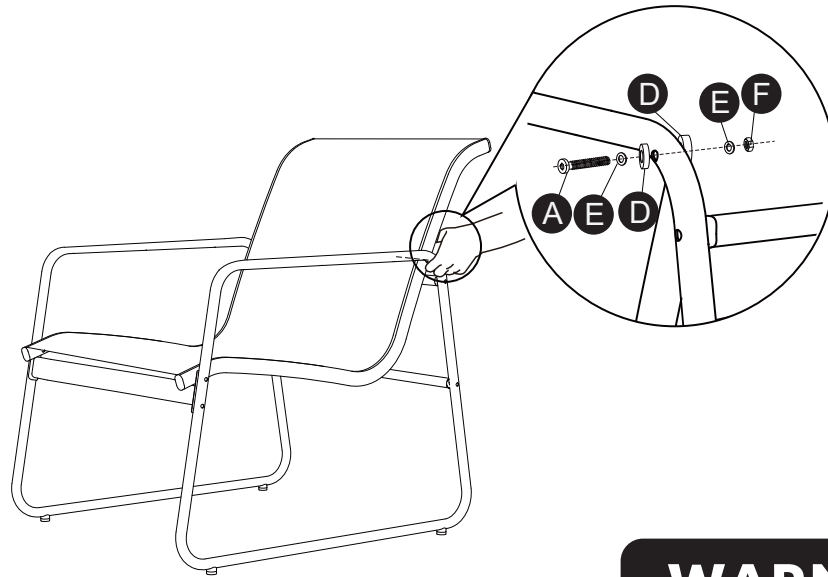
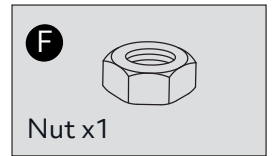
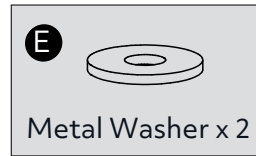
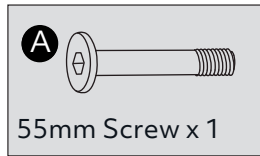
20



WARNING!

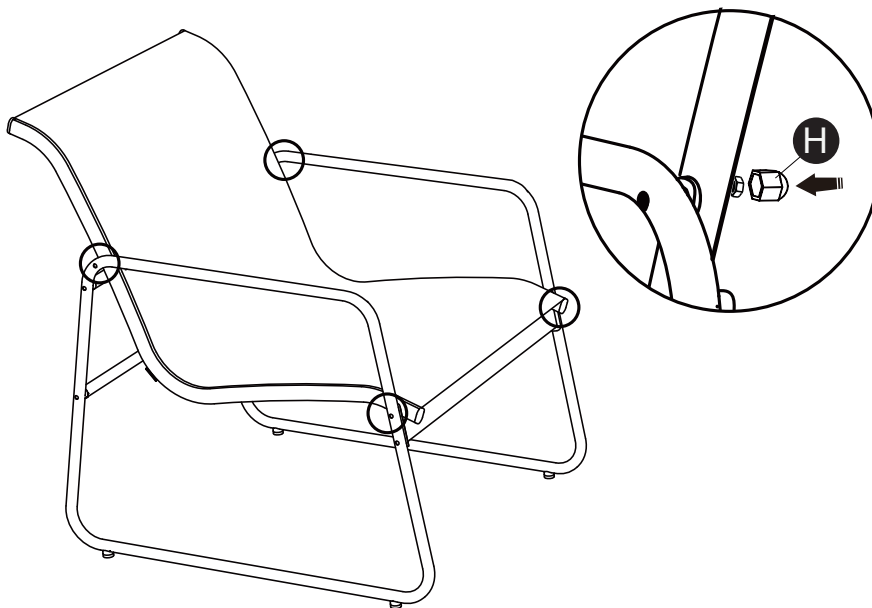
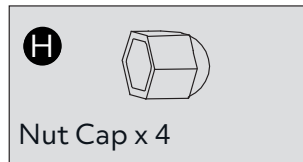
PLEASE DO NOT FULLY TIGHTEN
THE SCREW CONNECTIONS UNTIL
ASSEMBLY HAS BEEN COMPLETED

21



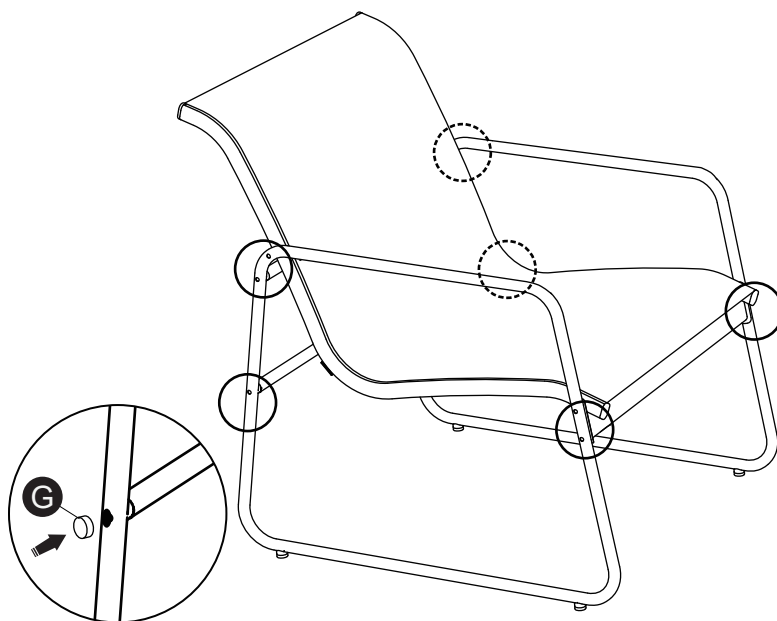
WARNING!
PLEASE DO NOT FULLY TIGHTEN
THE SCREW CONNECTIONS UNTIL
ASSEMBLY HAS BEEN COMPLETED

22



 Repeat
x4

23

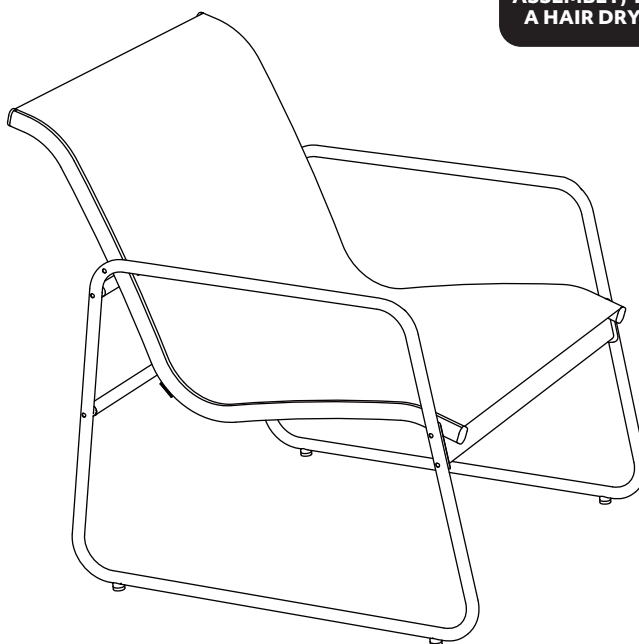


 Repeat
x10

24

WARNING!

IF THE SEAT COVER WRINKLES AFTER ASSEMBLY, YOU CAN CAREFULLY USE A HAIR DRYER TO SMOOTH IT OUT.



Chair assembly is completed.