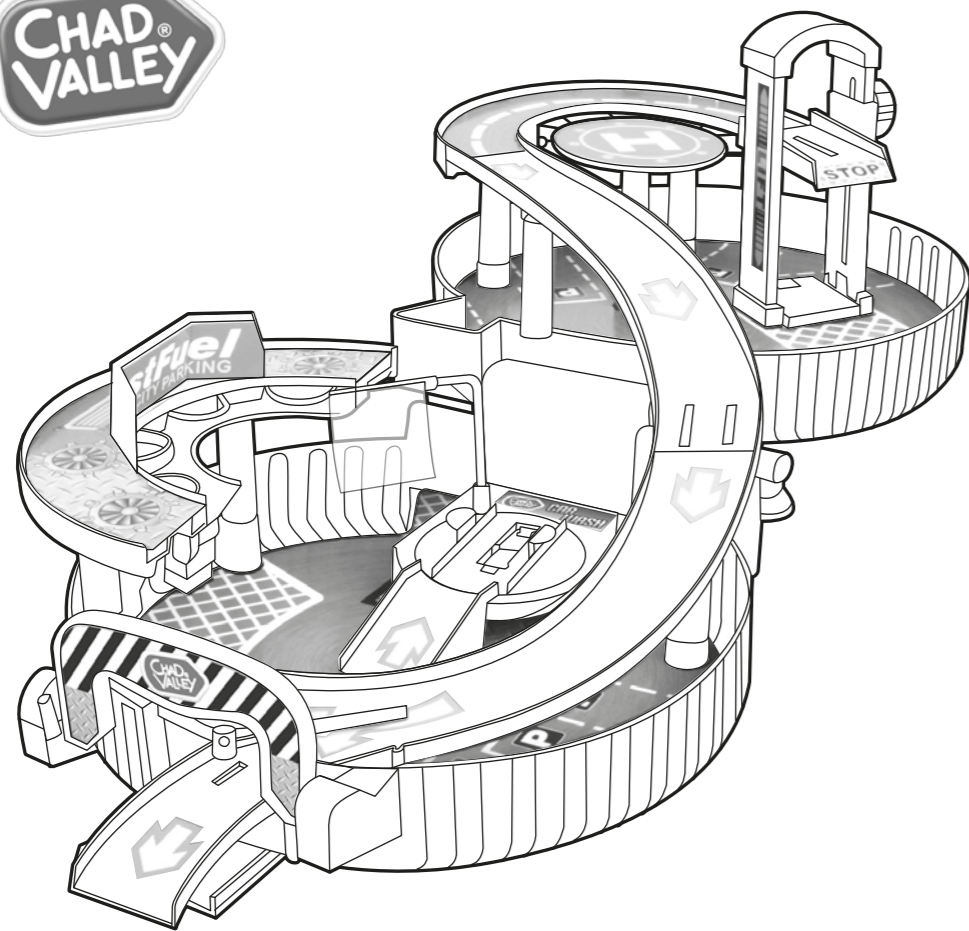


Wheel Garage

Assembly & User Instructions - Please keep for future reference 387/8325



Important
Age: 3+ years

Important – Please read these instructions fully before assembly or use
These instructions contain important information which will help you get the best from your product and ensure safe and correct assembly, use and maintenance.

Issue3- 10/04/18

Safety Information

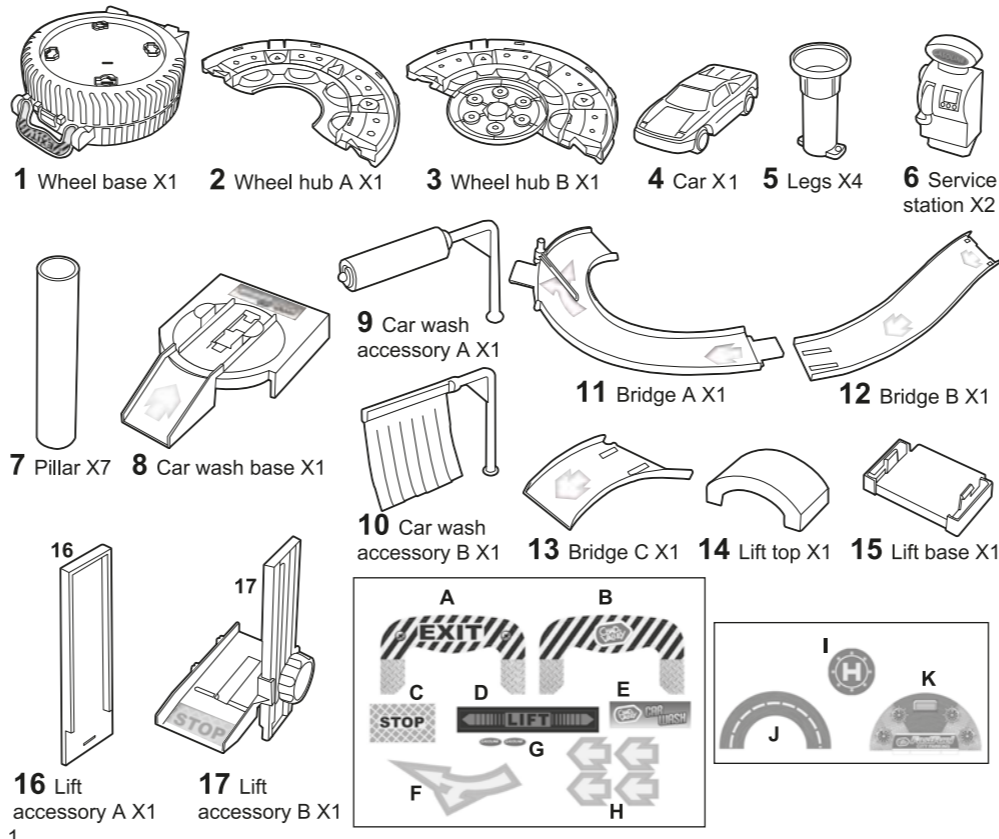
Important – Please read these instructions fully before assembly or use

General safety

- Not suitable for children under 36 months. Choking hazard due to small parts.
- Remove all packaging before giving to your child.
- Adult assembly required.
- Please keep this packaging for reference since it contains important information.
- Specifications, colours and contents may vary from illustration.
- Young children in play are unaware of potential dangers and hazards, therefore responsible adult supervision is essential.

Parts

Please check you have all the parts and fittings listed below

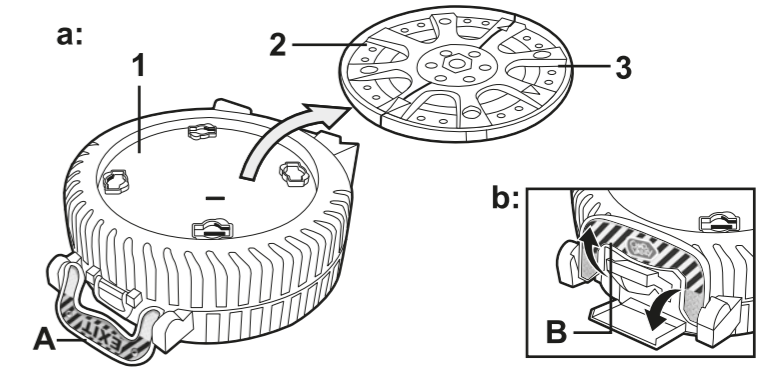


Assembly Instructions

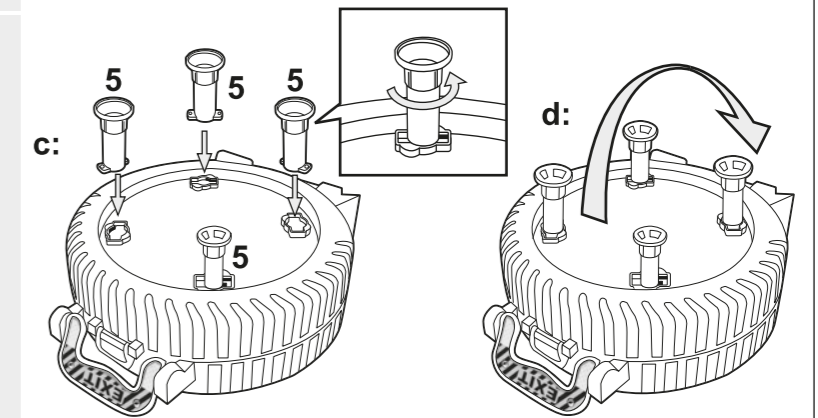
Step 1

Open the garage

- a: Take wheel hub out from the wheel garage.
b: Open the lock of the garage.



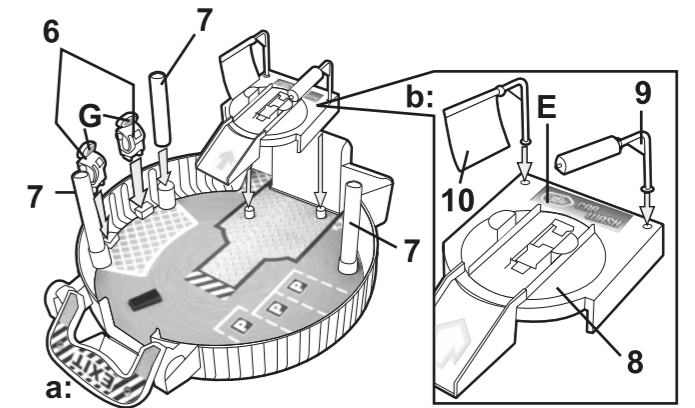
- c: Install legs onto the garage.
d: Open the garage.



Step 2

1st Level: Install the car park and car wash.

- a: Install the car wash, service stations and pillars.
b: Install the accessories of car wash.



Continue on next page

2

Size: (A5 size) 14.85cm x 21cm

fold

fold

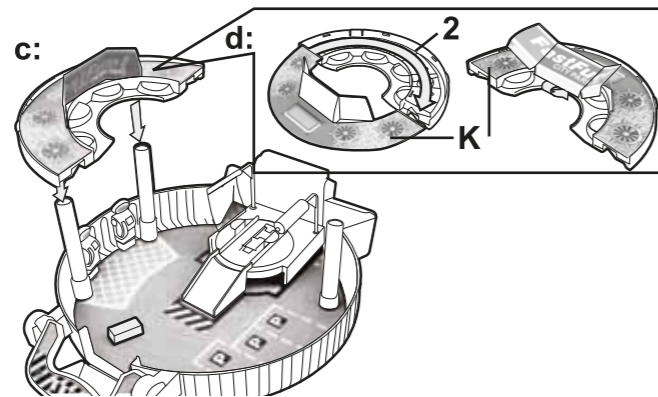
fold

fold

Assembly Instructions

Step 3

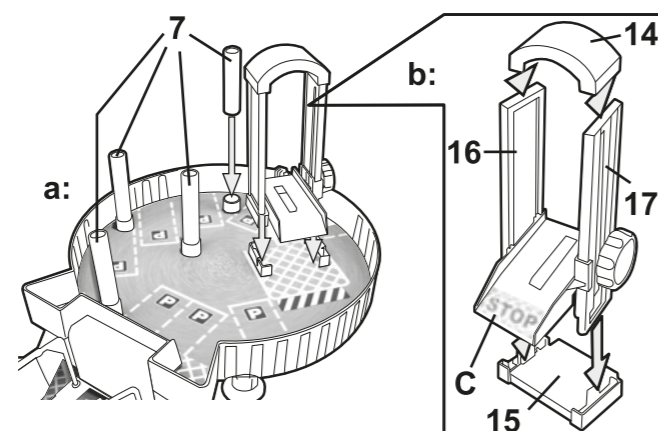
- c: Install the car park roof.
d: Install the decal of the roof.



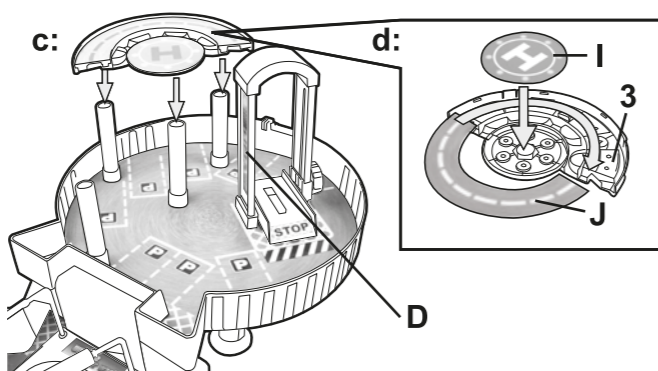
Step 4

2nd Level: Install the lift and helicopter parking

- a: Install the lift and pillars.
b: Assemble the lift.



- c: Install the helicopter parking.
d: Install the decal of helicopter parking.



Continue on next page

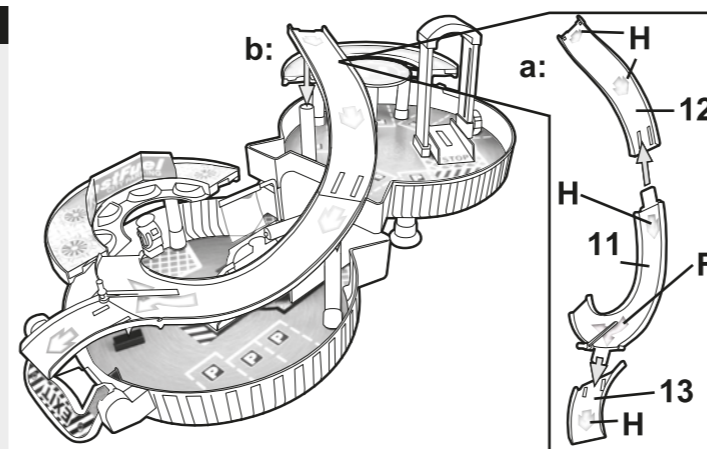
3

Assembly Instructions

Step 5

Install the bridge between 1st and 2nd Floor.

- a: Assemble the bridge.
b: Install the bridge between 1st and 2nd floor.



User Instructions

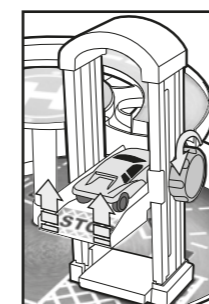
Rules of using the wheel garage

1. Follow the age recommendation.
2. ALWAYS supervise children.

Basic play

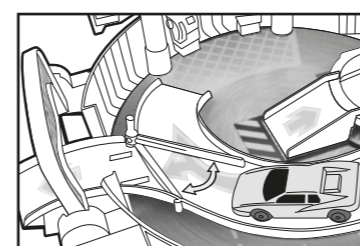
Vehicle lifting

Turn the knob by anti-clockwise, the lift will rise up.



Road Choice

Turn the fence and the vehicle will go to Car wash, or it will exit the garage.



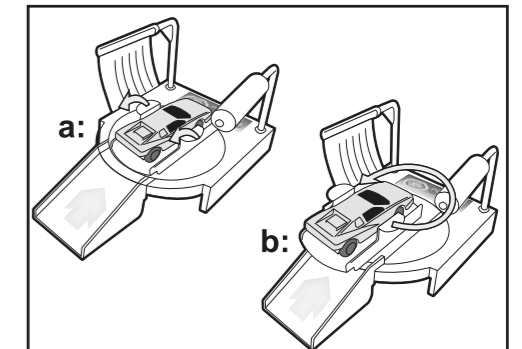
Continue on next page

4

User Instructions

Car Washing

- a: Raise the vehicle by pulling the car parking up.
b: Rotate the car parking to clean the vehicle.



Care and Maintenance

General

- Wipe clean with damp cloth before storage.
- Take care when moving the trackset.
- Supplied vehicles are recommended to play with this product for better performance.
- The product should be regularly inspected by an adult for broken or damaged parts.



Warning! Not suitable for children under 36 months. Choking hazard. Small parts.

If you need help or have damaged or missing parts, call the **Customer Helpline: 0345 604 0105**
Produced for Chad Valley Toys. Country of origin: Made in China
Address: 489-499 Avebury Boulevard, Central Milton Keynes, MK9 2NW.
Visit www.argos.co.uk/chadvalley

5

fold

fold