

Series 2, Built-in fridge-freezer with freezer at bottom, 177.2 x 54.1 cm, sliding hinge KIN85NSE0G



Optional accessories

- KSZB6R00 Bottle Rack
- KSZGGM00 Butter box

The spacious built-in fridge-freezer combination with NoFrost provides optimal food storage and ice formation is no longer an issue.

- **MultiBox XXL:** extra-large drawer for your fruit and vegetables.
- **NoFrost:** never defrost again, thanks to perfect protection from ice formation - that saves time and effort.
- **Eco Airflow:** maintains optimal air circulation and a constant temperature level throughout the cooling area.
- **An audible alarm system signals the door is open**
- **LED lighting: all your items in perfect view.**

Technical Data

Energy Efficiency Class:	E
Average annual energy consumption in kilowatt hour per year (kWh/a):	239 kWh/annum
Sum of volume of frozen compartments:	99 l
Sum of volume of chill compartments:	150 l
Airborne acoustical noise emissions :	39 dB(A) re 1 pW
Airborne acoustical noise emission class:	C
Built-in / Free-standing:	Built-in
Door panel options:	Not possible
Height:	1772 mm
Width of the appliance:	541 mm
Depth:	548 mm
Min. required niche size for installation (HxWxD):	1775.0 x 560 x 550 mm
Net weight:	51.9 kg
Fuse protection:	10 A
Door hinge:	Right reversible
Voltage:	220-240 V
Frequency:	50 Hz
Length electrical supply cord:	230.0 cm
Number of compressors:	1
Number of independent cooling systems:	1
Interior ventilator:	No
Reversible Door Hinge:	Yes
Number of Adjustable Shelves in fridge compartment:	2
Shelves for Bottles:	No
Frost free system:	Freezer
Installation typology:	N/A



Series 2, Built-in fridge-freezer with freezer at bottom, 177.2 x 54.1 cm, sliding hinge KIN85NSE0G

Dimension and installation
Additional features

The spacious built-in fridge-freezer combination with NoFrost provides optimal food storage and ice formation is no longer an issue.

Performance and Consumption

- EU19_EEK_D: E
- Total Volume : 249 l
- Annual Energy Consumption: 239 kWh/a
- Noise Level : 39 dB , EU19_Noise emission class_D: C

Functions

- Bright interior LED fridge light in fridge section
- Built-in fridge-freezer

Design features

- NO_FROST_NEU_BL, never have to defrost ever again
- EU19_Fast freezer facility_D
- LED electronic control
- Super Cooling: automatic deactivation
- Optical and accoustical
- Automatic defrost fridge

Design features

- 3 safety glass shelves of which 2 are height adjustable
- Door shelves in fridge door: 1 large and 1 small.

Freshness System

- 1 MultiBox - Transparent drawer with a rippled bottom, ideal for storing fruits and vegetables.

Food freshness system

- Net Freezer Volume : 99 l
- Freezing capacity 24h : 5.5 kg
- Temperature rise time : EU19_Temperature rise time_D: 10 H
- 4 freezer drawers

Dimension and installation

- Dimensions: 177.2 cm H x 54.1 cm W x 54.8 cm D
- Niche Dimensions: 177.5 cm H x 56 cm W x 55 cm D

Key features - Fridge section

- Right hinged door, door reversible
- Height adjustable front feet
- Length of power cord: 230 cm
- Climate Class: SN-ST
- 220 - 240 V

Key features - Freezer section

- 3 x egg tray, 1 x ice cube tray

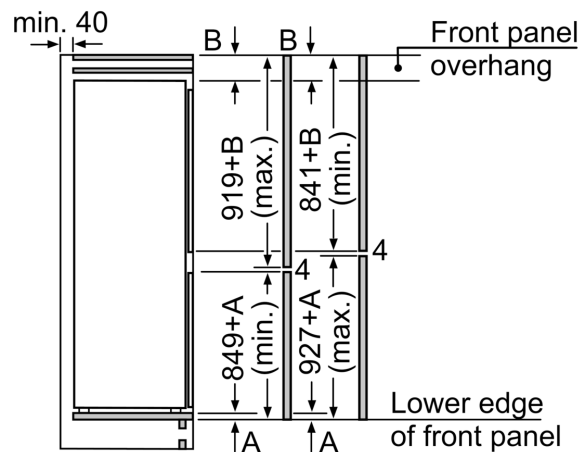
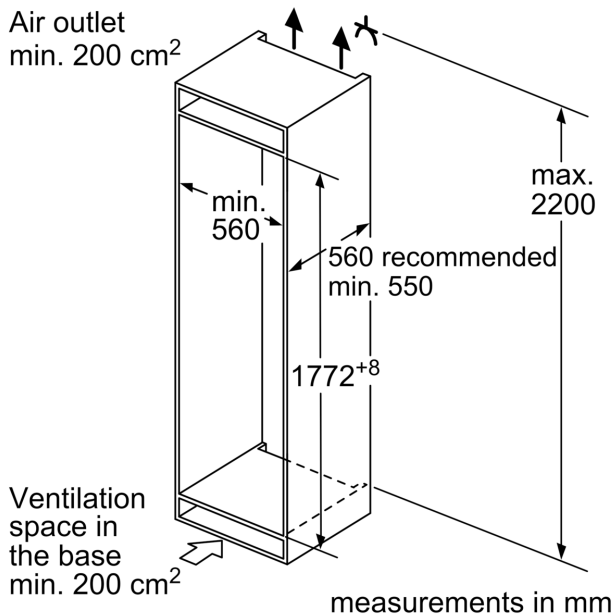
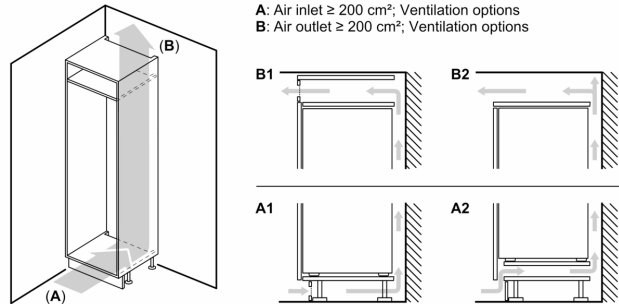
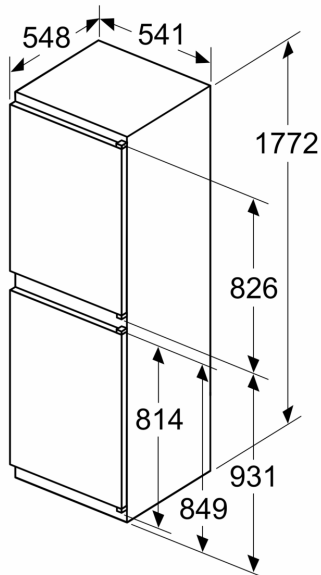
Country Specific Options

- Based on the results of the standard 24-hour test. Actual consumption depends on usage/position of the appliance.

Design features

**Series 2, Built-in fridge-freezer with
freezer at bottom, 177.2 x 54.1 cm,
sliding hinge
KIN85NSE0G**

measurements in mm



The specified unit door dimensions
are valid for a door gap of 4 mm.

measurements in mm