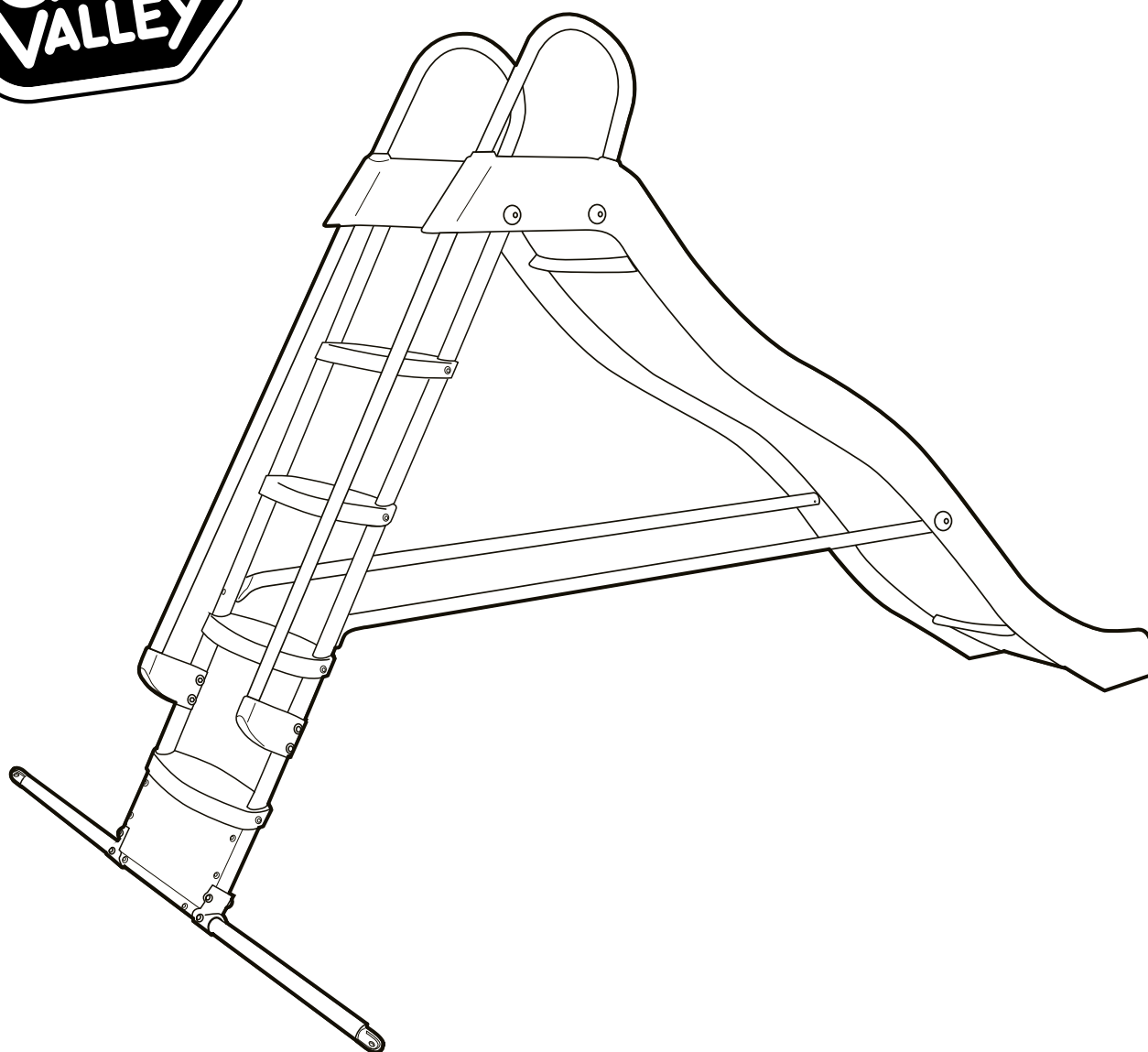


Giant Wavy Slide

Assembly & User Instructions - Please keep for future reference

368/3644



Warning!

Age: 3+ years



Not suitable for children under 3 years old due to small parts.
Choking hazards.

Important - Please read these instructions fully before assembly or use

These instructions contain important information which will help you get the best from your product and ensure safe and correct assembly, use and maintenance.

If you need help or have damaged or missing parts, call the **Customer Helpline: 01291 650581**

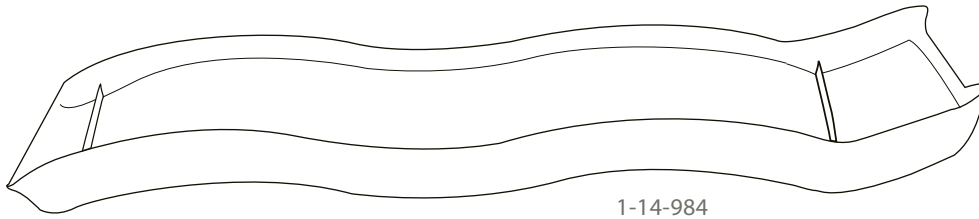
Contents

Parts	3
Assembly Instructions	
Steps 1-3	4
Steps 4-6	5
Steps 7-9	6
Steps 10-11	7

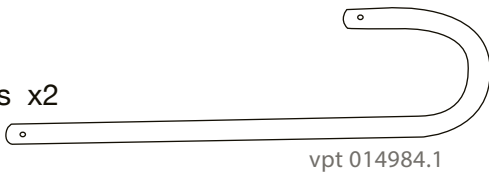
Parts

if you have damaged or missing parts,
call the **Customer Helpline: 01291 650581**

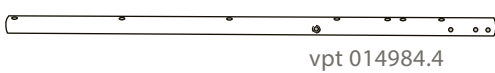
A Slide x1



B Handle Bars x2



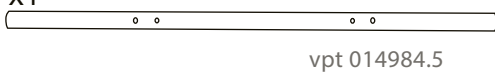
C Stiles x2



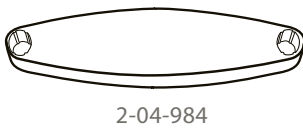
D Connector Tubes x2



E Base Tube x1



F Steps x4



G Base Connectors x2



J Base Plate x1



N Screw x2



S Anchor Caps x2



H Nuts x22



K Handrail Connector x1



O Screw x16



T Washers x2



I Plastic Washers x6



L Handrail Connector x1



P Screw x4



U Plastic Plug x2



M Screw x8



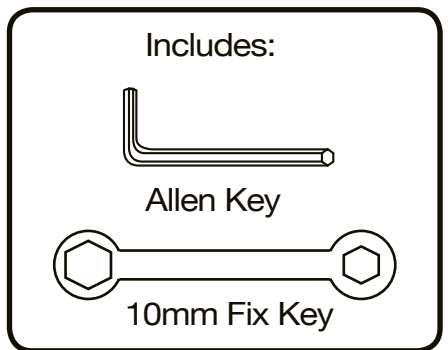
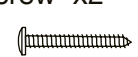
R Cap Nut x8



Q Distancer x4



V Screw x2



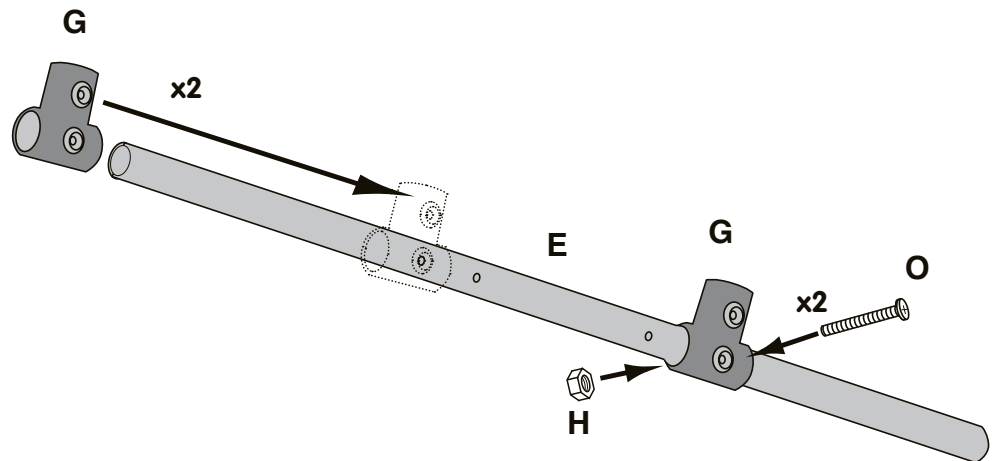
•Some tubes may contain another tube inside them. Please check all tubes before assembly.
•To avoid scratches to metal pipes, please assemble on a soft surface.

Assembly Instructions

Step 1

Assemble Base Connectors

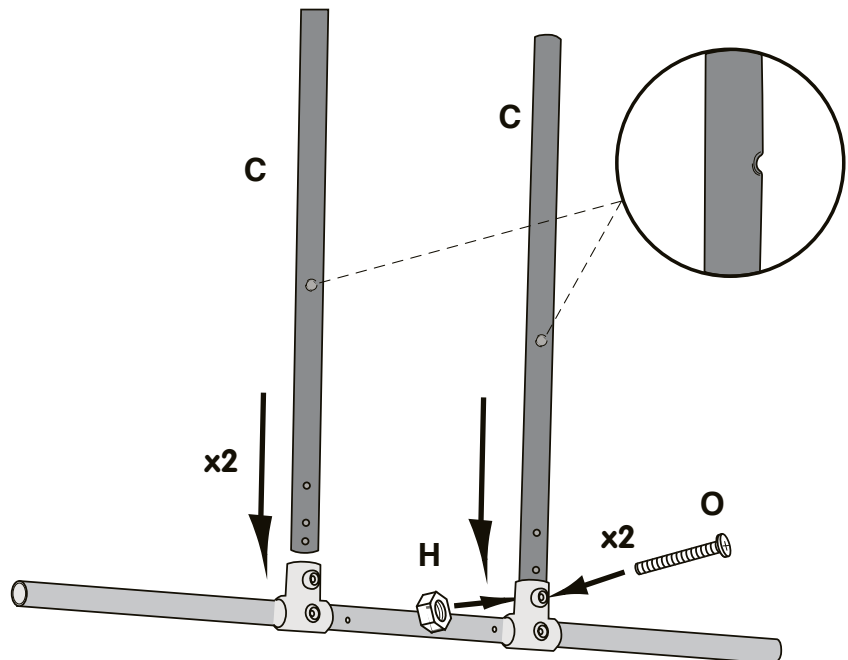
Attach Base Connector (G) into Base Tube (E) until reach the first hole. Insert 45mm Screw (O) into the bottom hole on the Base Connector (G) and secure with Nut (H). Same for the second Base Connector.



Step 2

Connect Stiles

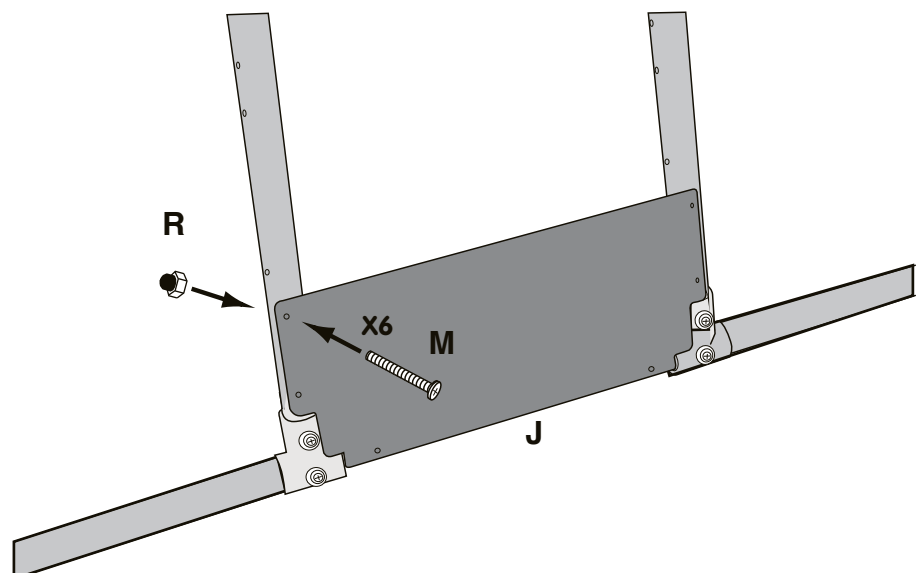
Insert Stile (C) into the top of Base Connector (G) and secure with 45mm screw (O) and Nut (H). Same for the second Stile (C).



Step 3

Assemble Base Plate

Attach Base Plate (J) to the base and secure with six 40mm Screws (M) and six Cap Nuts (R).

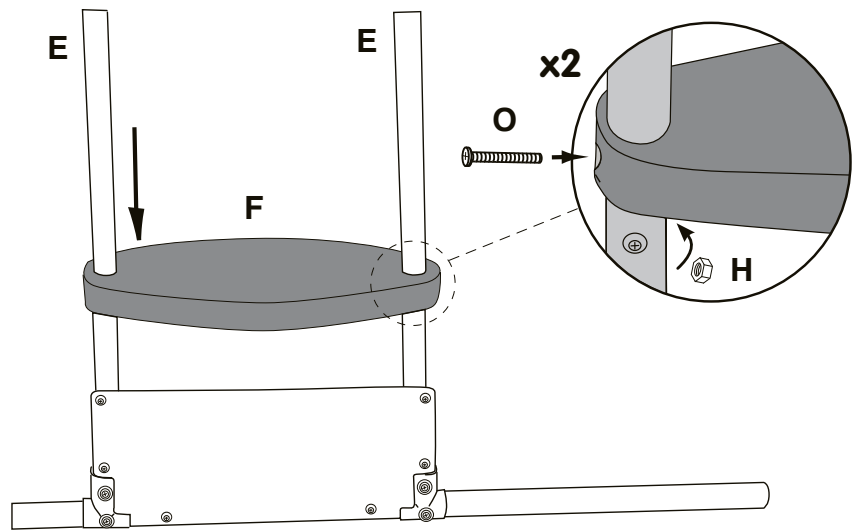


Assembly Instructions

Step 4

Assemble First Step

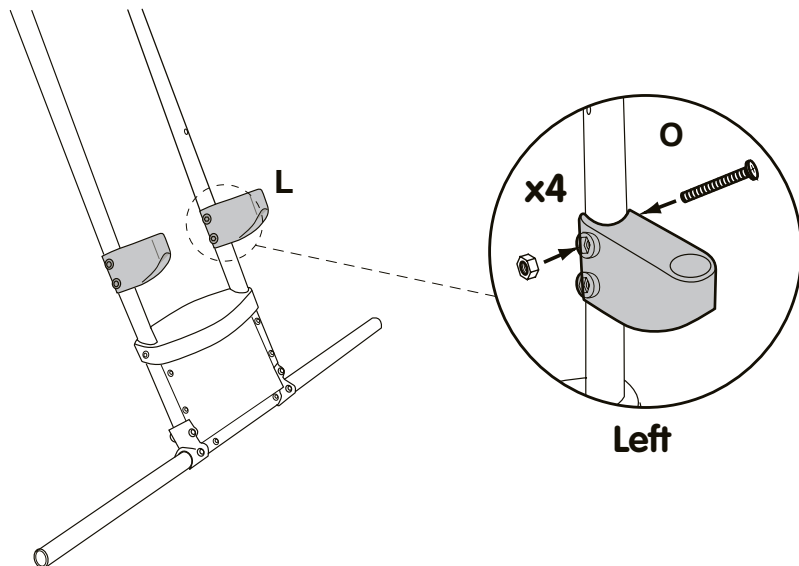
Insert one Step (F) till reached the bottom holes on the Base Tubes (E). Secure with 45mm Screw (O) and Nut (H) for each Base Tube.



Step 5

Assemble Handrail Connectors

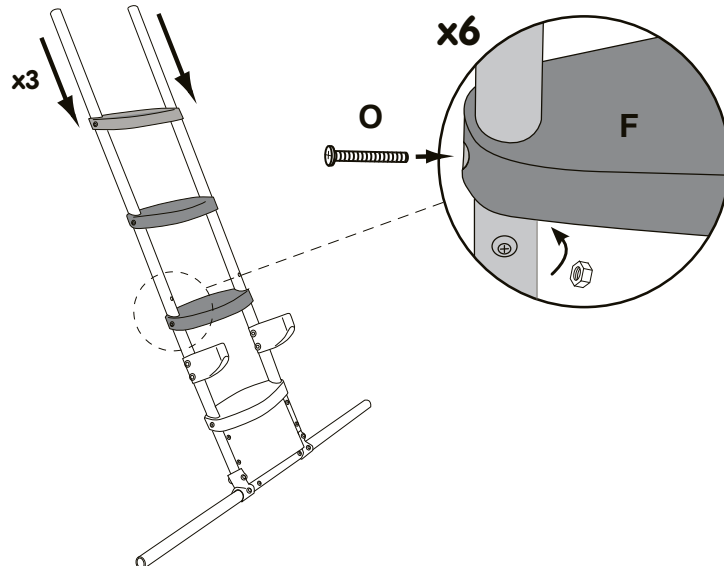
Insert the Left Handrail Connector (L) into the left Base Tube (E) till reach holes. Secure with 45mm Screw (O) and Nut (H). Same for the right Handrail (K).



Step 6

Assemble Steps

Insert three Steps (F) into the Base Tubes (E) and secure with 45mm Screw (O) and Nut (H).



Assembly Instructions

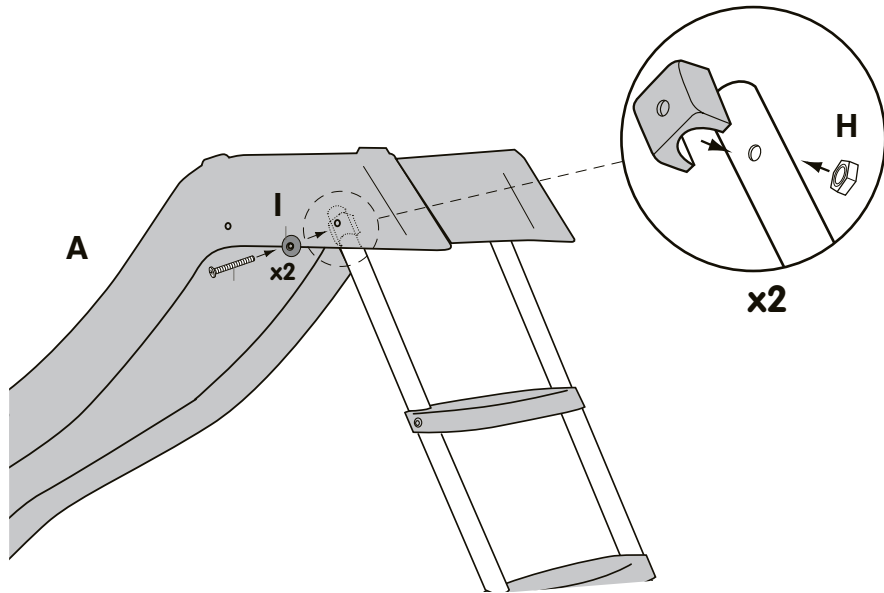
Step 7

Attach Slide to Ladder tubes

Put Distancer (Q) on the top hole of Base Tube. Attach Slide (A) on the top of the Base Tubes (E), note that Distancer (Q) fit into his place on the Slide (A).

Secure with 55mm Screw (P), Plastic Washer (I) and Nut (H).

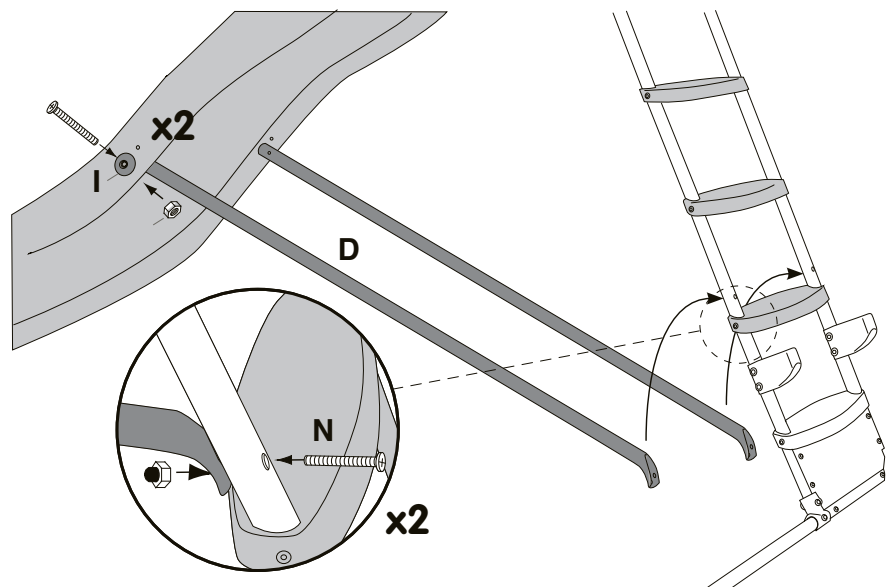
Do the same to other tube.



Step 8

Attach Connector tubes (D) with the rounded edge to holes above the first step and secure with 42mm screws (N) and Cap nuts (R).

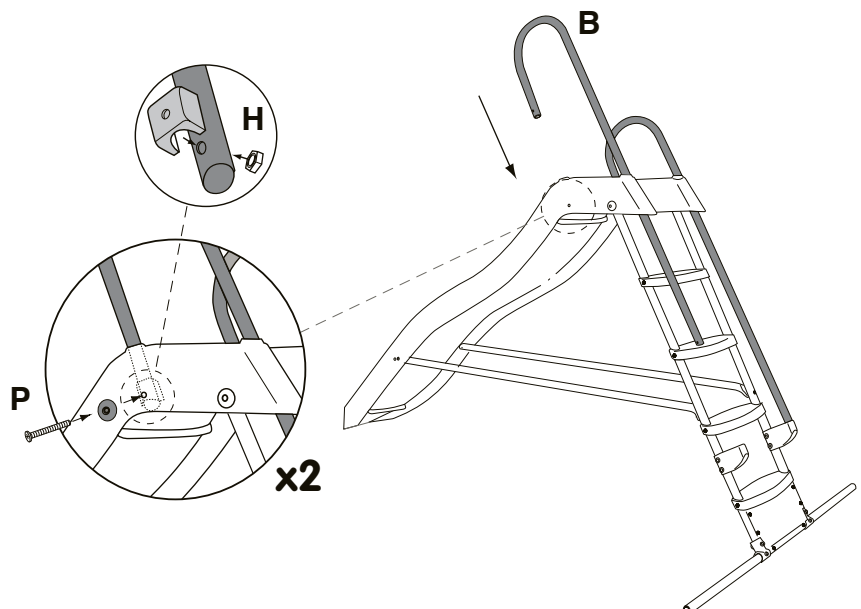
Attach the other edge of the Connector tubes to holes on the center of the slide and secure with 40mm screws (M), Plastic washers and Nuts (H).



Step 9

Connect Handle Bars

Put Distancer (Q) on the hole of the rounded edge of Handle Bar (B). Attach the Handle Bar (B) to top hole of the Slide (A), note that Distancer (Q) fit into his place on the Slide (A). Secure with 55mm Screw (P), Plastic Washer (I) and Nut (H). Do the same to other tube.



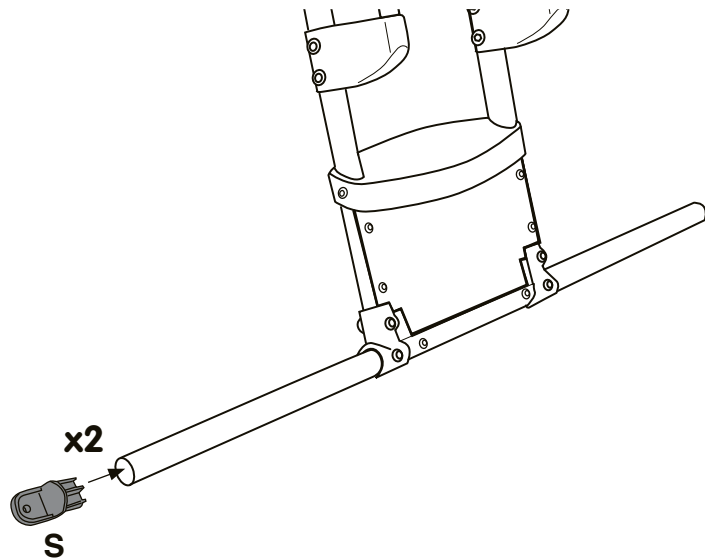
Assembly Instructions

Step 10

Assemble Anchor caps

Attach Anchor caps (S), one for each side of Base tube.

Attention
Check and tighten all screws!



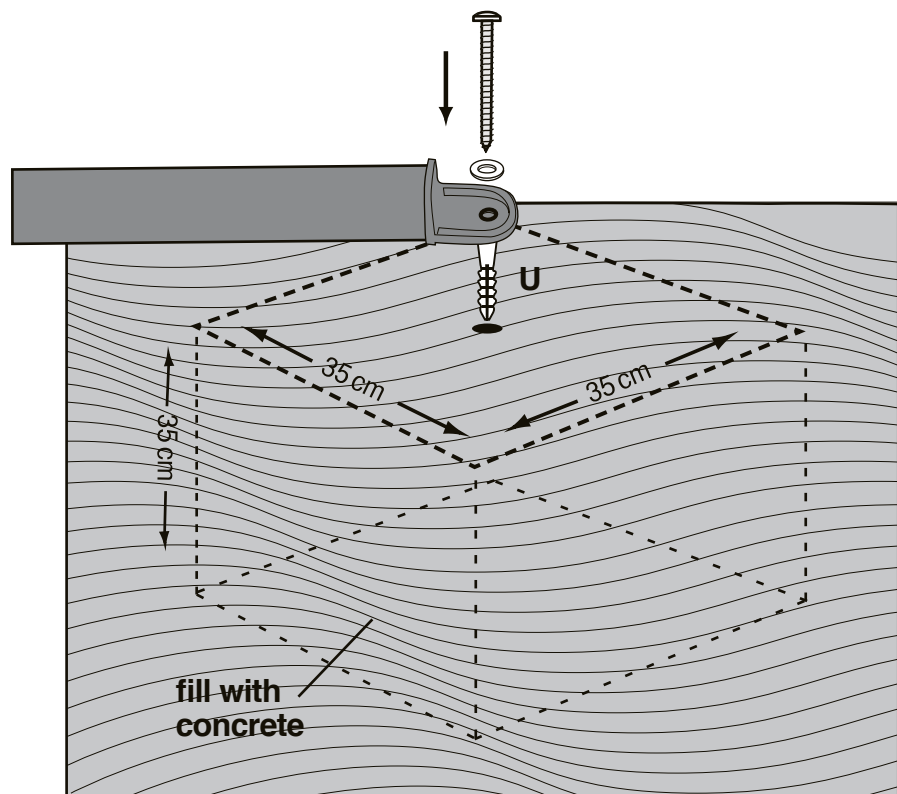
Step 11

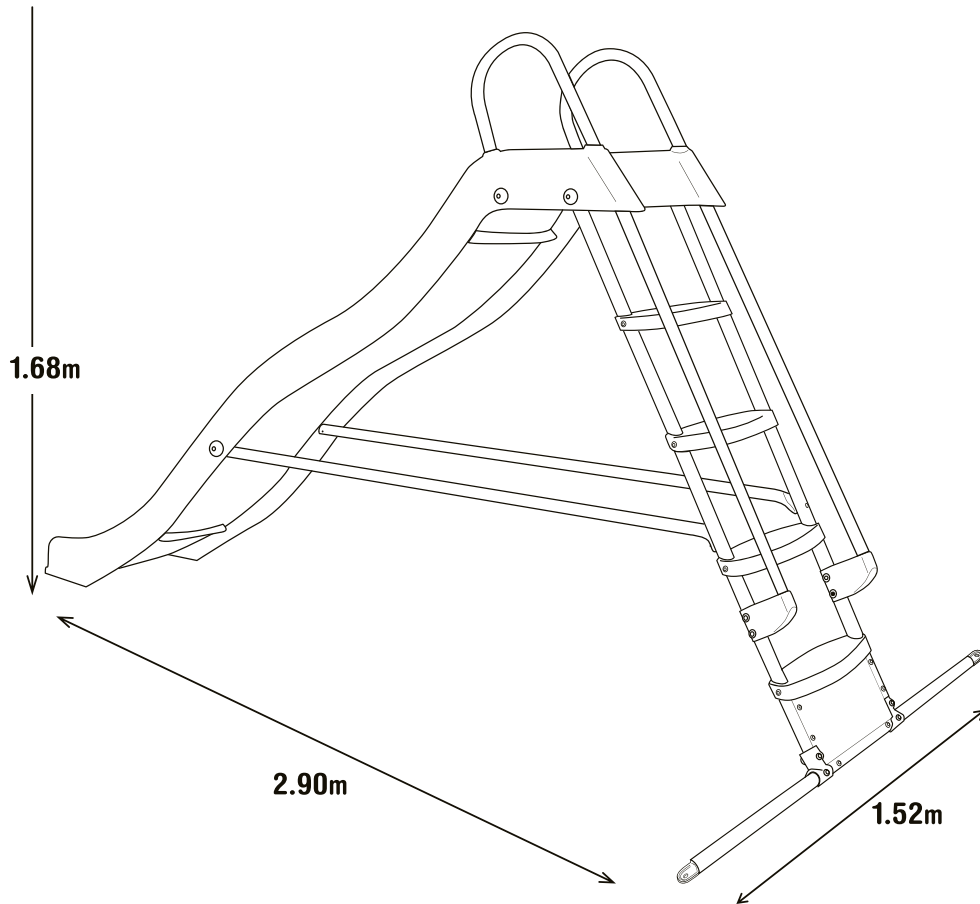
Attach Slide to the ground

Attach the Slide to the surface by digging two 35/35/35 cm dimension holes and fill it with concrete.

After hardening drill two holes in the concrete blocks (according to distance between holes with anchor caps, and fix the slide.

Insert Plastic Plugs (U) into the holes and secure the Anchor Caps (S) with Screw (V) and Washer (T) for each hole.





- Warning! for domestic use.
- Warning! for outdoor use.
- Warning! Max user weight 50 kg.
- Remove all packaging materials such as: bags, bands & cartons.
- Side bars are not for standing or climbing on.
- Recommended age of use: 3 years and above.
- Place the toy on a level surface at least 2 m from any structure or obstruction, such as fence, garage, house, overhanging branches, laundry lines or electrical wires.
- The toy shall not be installed over concrete, asphalt or any other hard surface.
- Do not face slide-shute directly towards the sun when in use.
- Check regularly the toy before use.
- Check connections regularly for continued security and for any evidence of deterioration or hazards.
- Replace, if required, with suitable & new parts, Failure to do so may result in an injury or fall.
- Adult assembly required.
- Adult supervision is required at all times
- Please keep this instruction sheet for future reference.



If you need help or have damaged or missing parts, call the **Customer Helpline: 01291 650581**

Produced for Chad Valley Toys. Country of origin: Israel.

Argos LTD Address: 489 - 499 Avebury Boulevard, Central Milton Keynes, MK9 2NW.

www.argos.co.uk/chadvalley