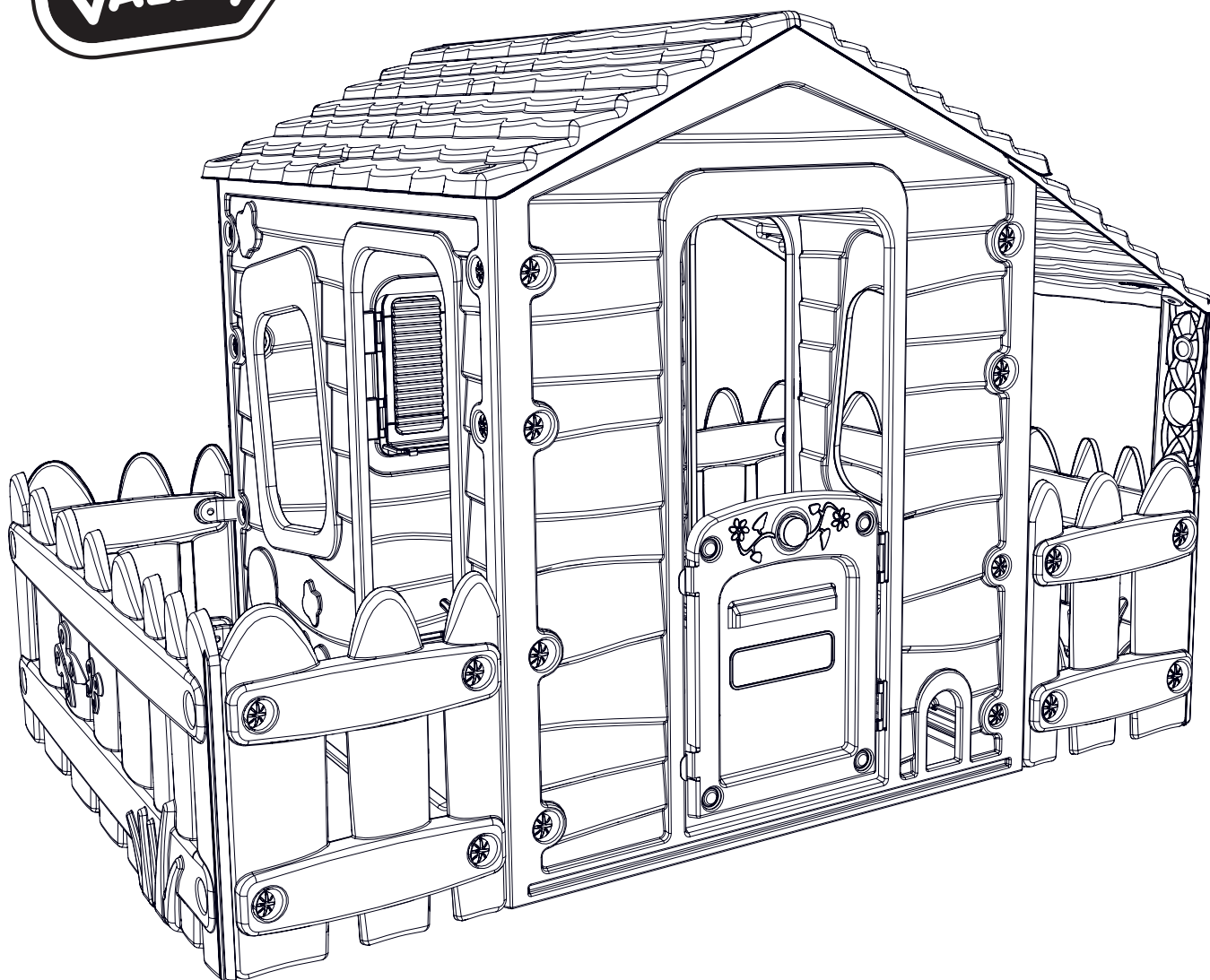


# Farm Wendy House

Assembly & User Instructions - Please keep for future reference

3678680



## Important

Age: 2+ years

## Important - Please read these instructions fully before assembly or use

These instructions contain important information which will help you get the best from your product and ensure safe and correct assembly, use and maintenance.

If you need help or have damaged or missing parts, call the **Customer Helpline: 01291 650581**

# Contents

**Parts** 3

## **Assembly Instructions**

Step 1-2 4

Step 3 5

Step 4-5 6

Step 6 7

Step 7 8

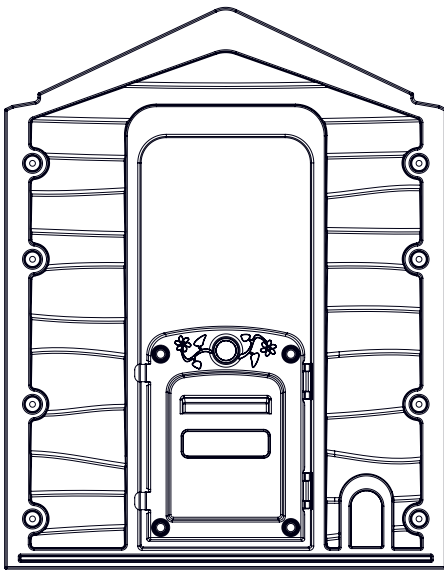
Step 8-9 9

Step 10-11 10

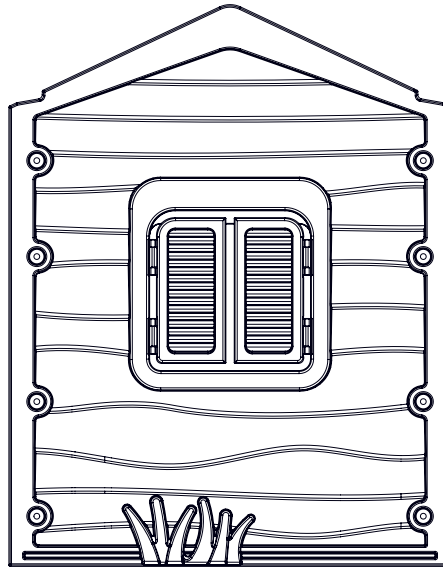
Step 12 11

# Parts

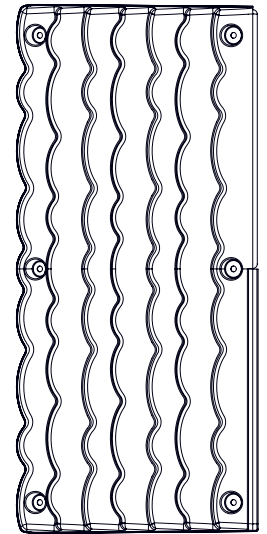
If you have damaged or missing parts,  
call the **Customer Helpline: 01291 650581**



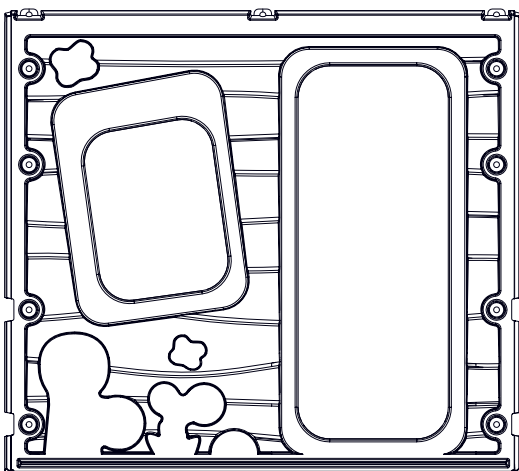
**A** Front wall x1  
3-79-560



**B** Back wall x1  
1-79-560



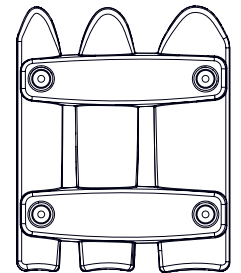
**D** Roof x3  
4-69-560



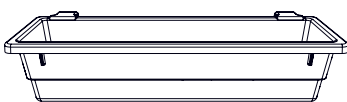
**C** Side wall x2  
2-91-560



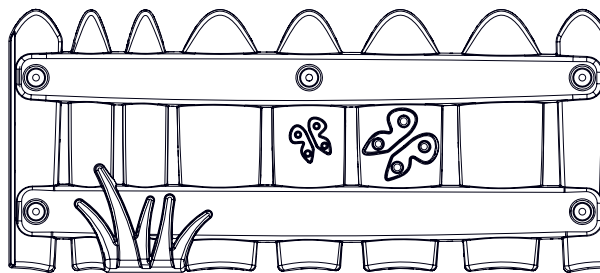
**E** Large Fence x1  
1-93-560



**G** Small Fence x4  
7-78-560



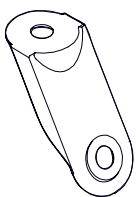
**H** Window box x1  
5-69-560



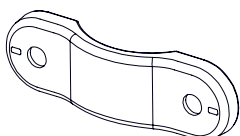
**F** Large Fence with Central Hole x1  
2-93-560



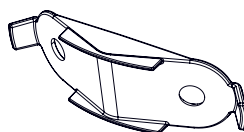
**I** Fence Pillars x3  
8-69-560



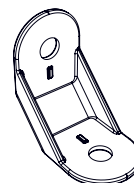
**J** Pillar Connector  
x3  
9-78-560



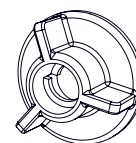
**K** Fence Connector  
x8  
8-78-560



**L** Roof Connector  
x3  
8-78-560



**M** Wall Connector  
x24  
9-69-560



**N** Nut  
x75  
9-51-560

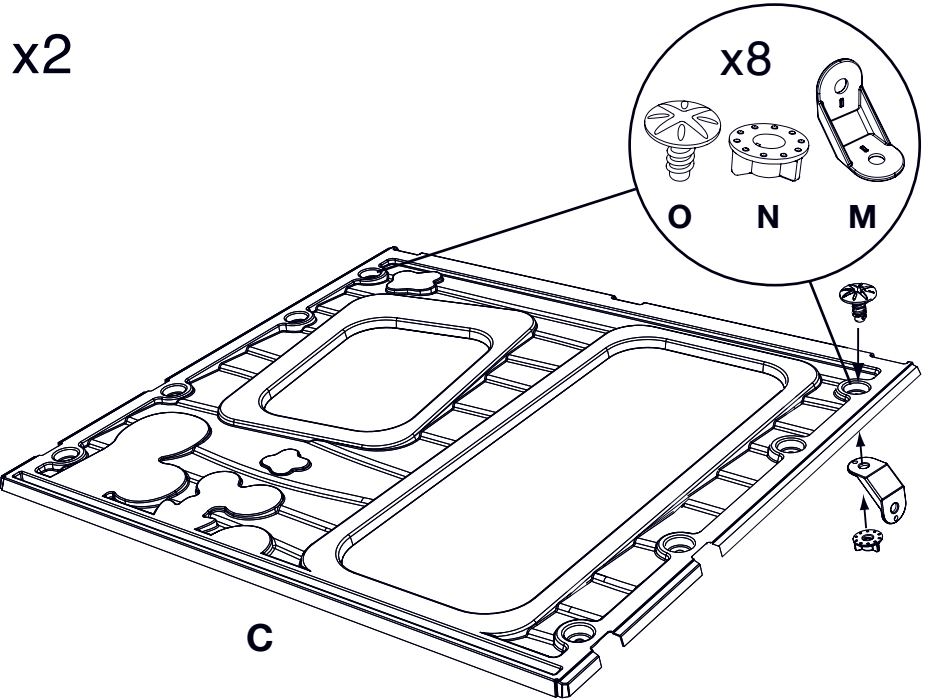


**O** Screw  
x75  
9-99-560

CONTAINING SPARE PARTS

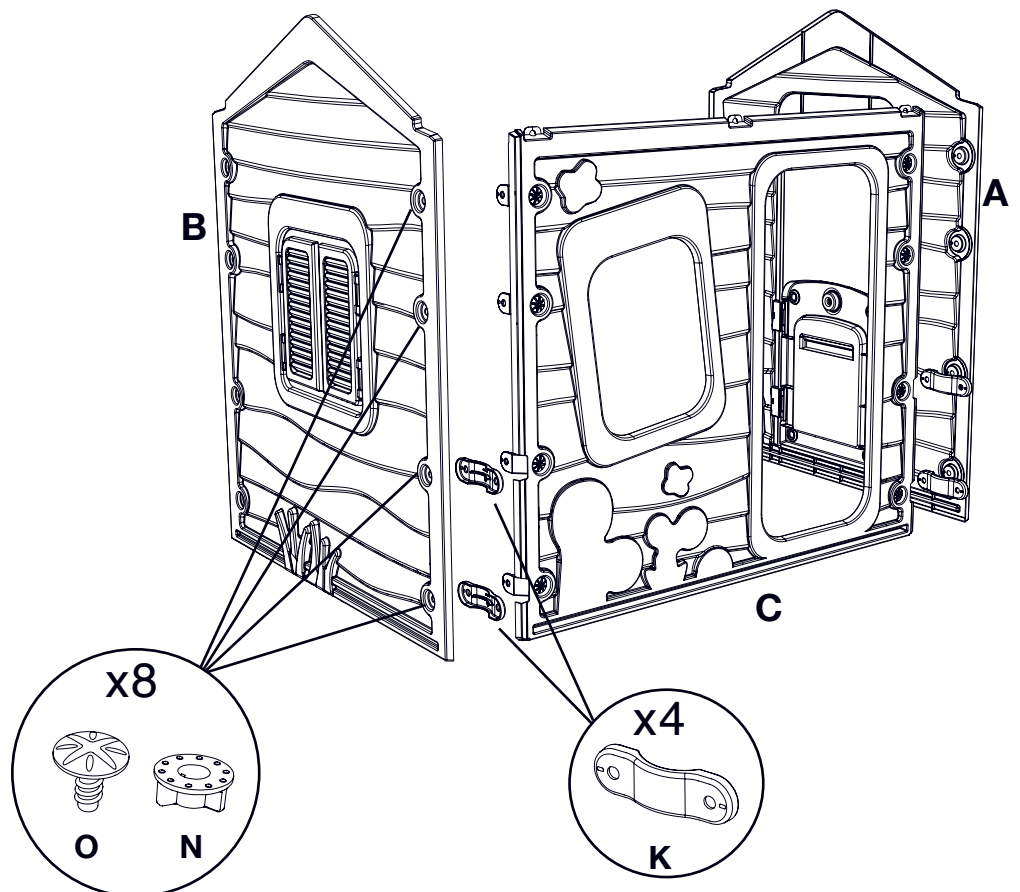
## Step 1

Assemble wall connectors (M) on both side walls (C), with screws (O) and nuts (N).



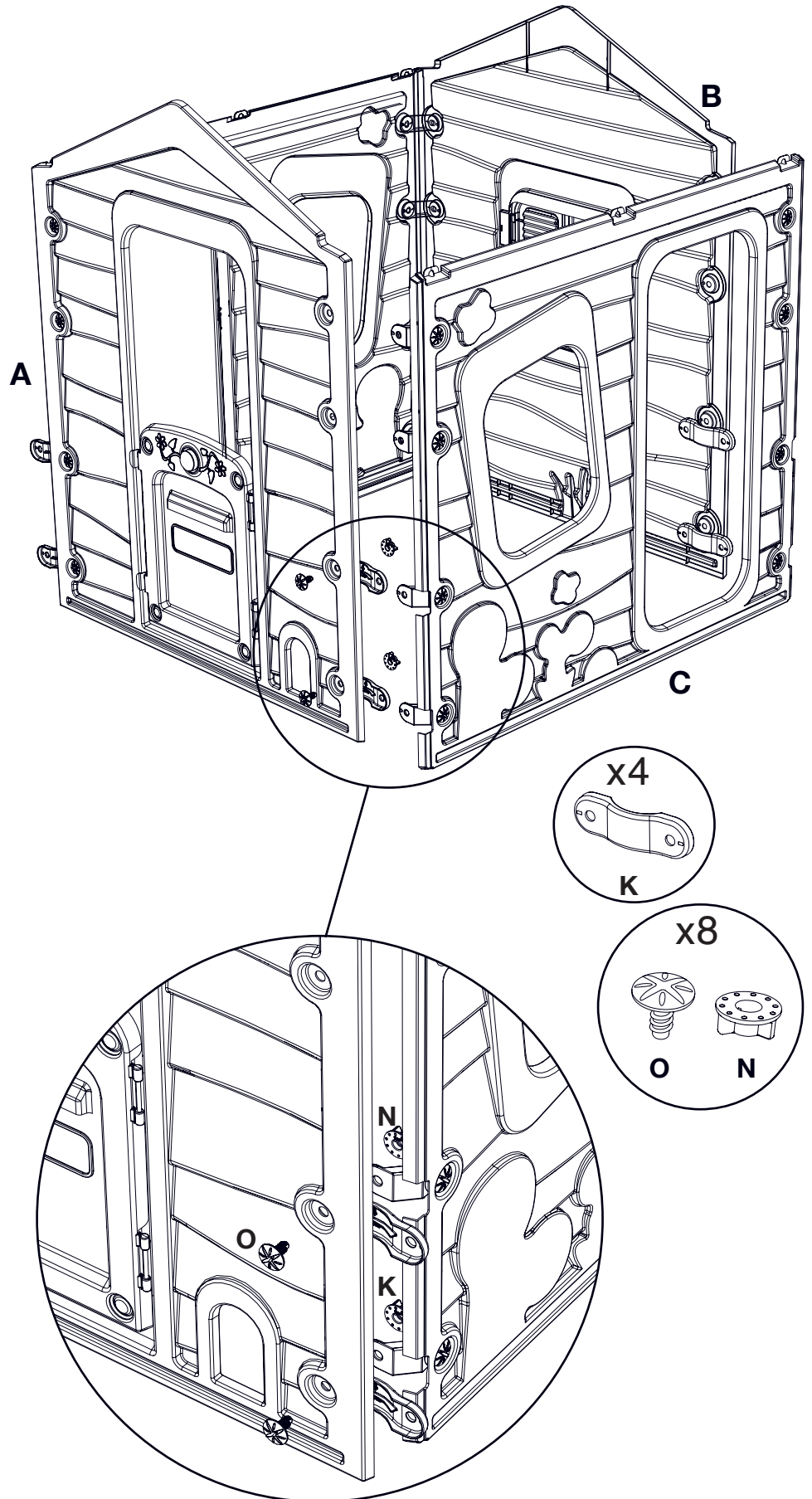
## Step 2

Assemble Front wall (A), one side wall (C), back wall (B) and fence connectors (K) with screws (O) and nuts (N).



## Step 3

Assemble the other side wall (C) and fence connectors (K) with screws (O) and nuts (N).

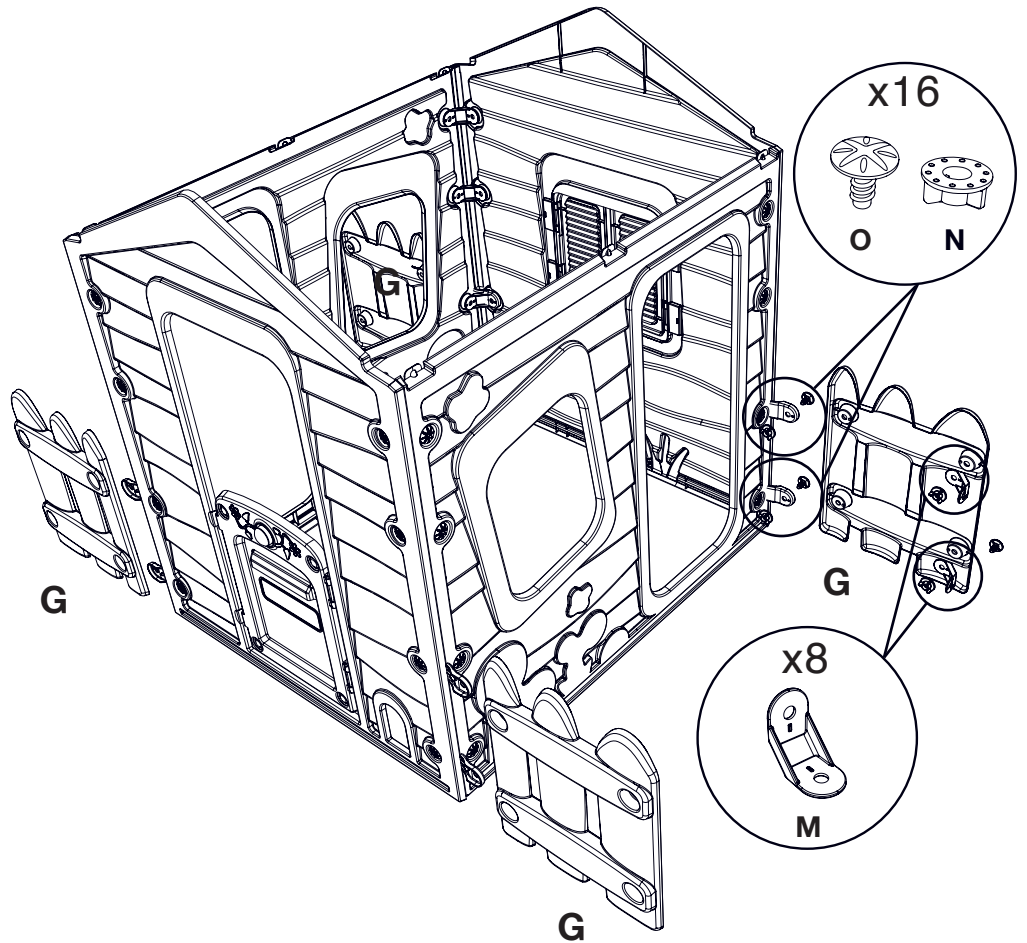




## Step 4

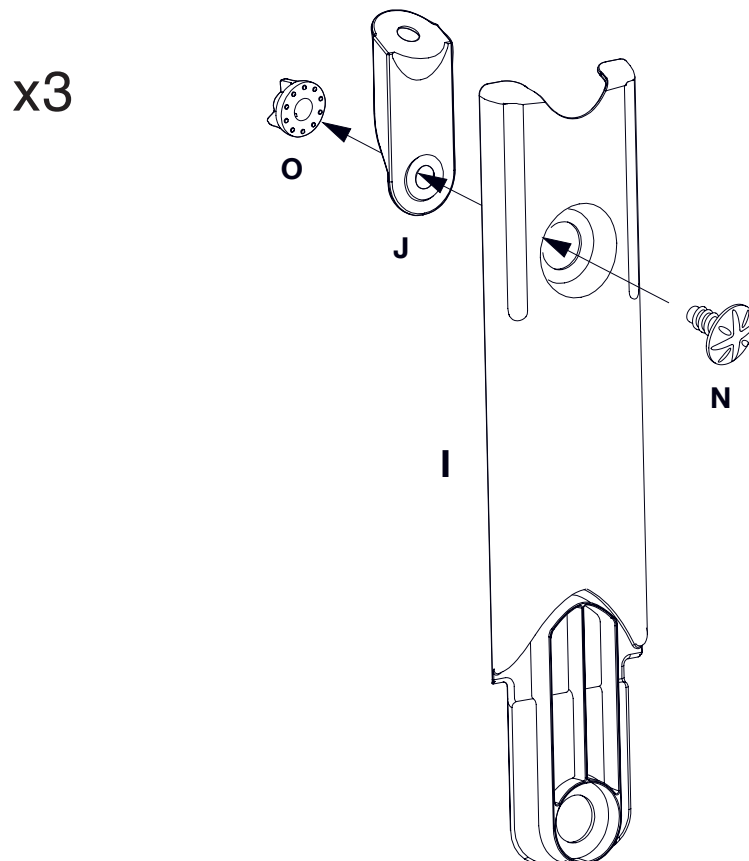
Connect small fence (G) to 4 sides of the house with screws (O) and nuts (N).

Mount 2 wall connectors (M) to the outer side of each small fence (G) with screws (O) and nuts (N)



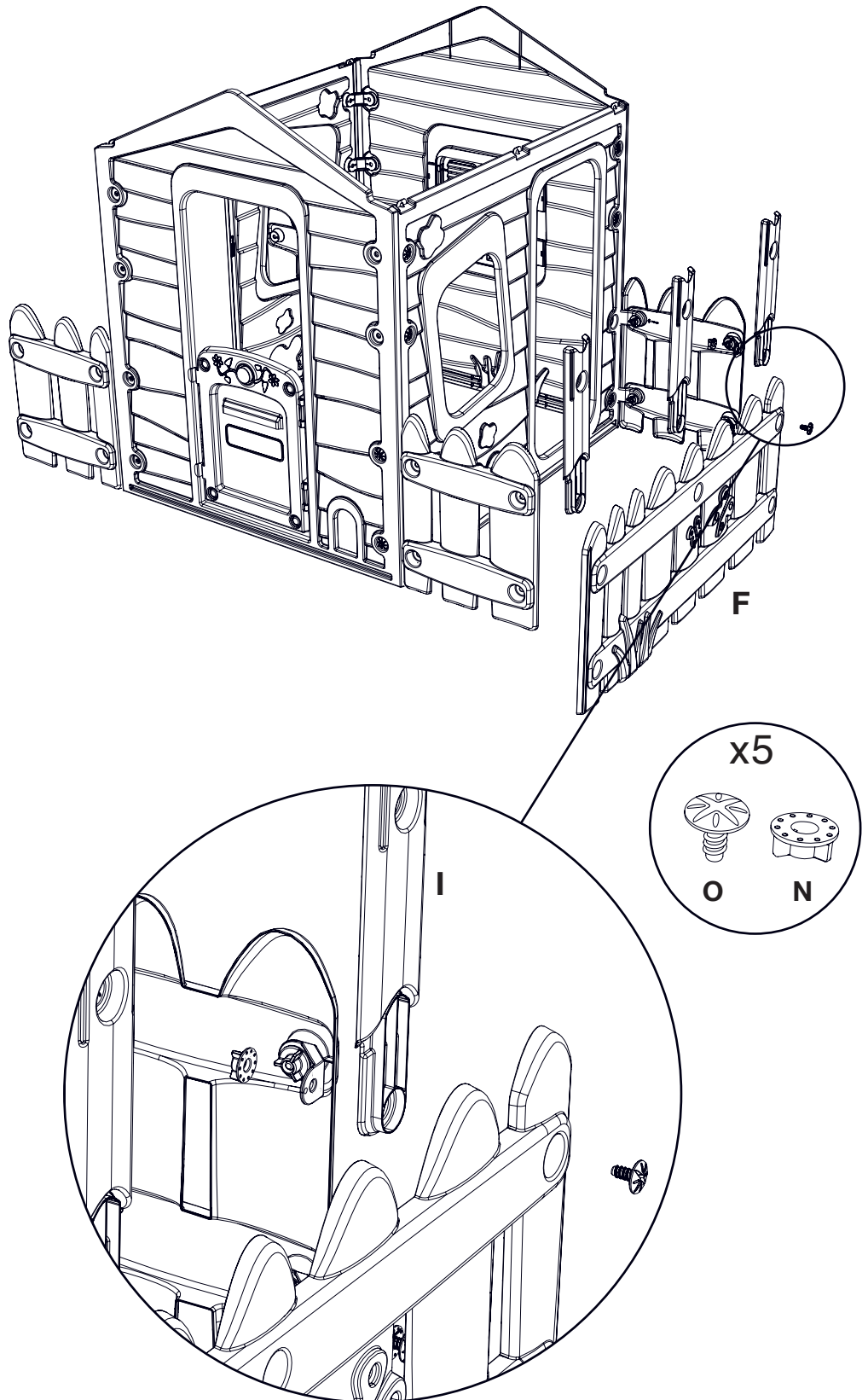
## Step 5

Assemble fence pillars (I) and pillar connectors (J) with screws (O) and nuts (N).



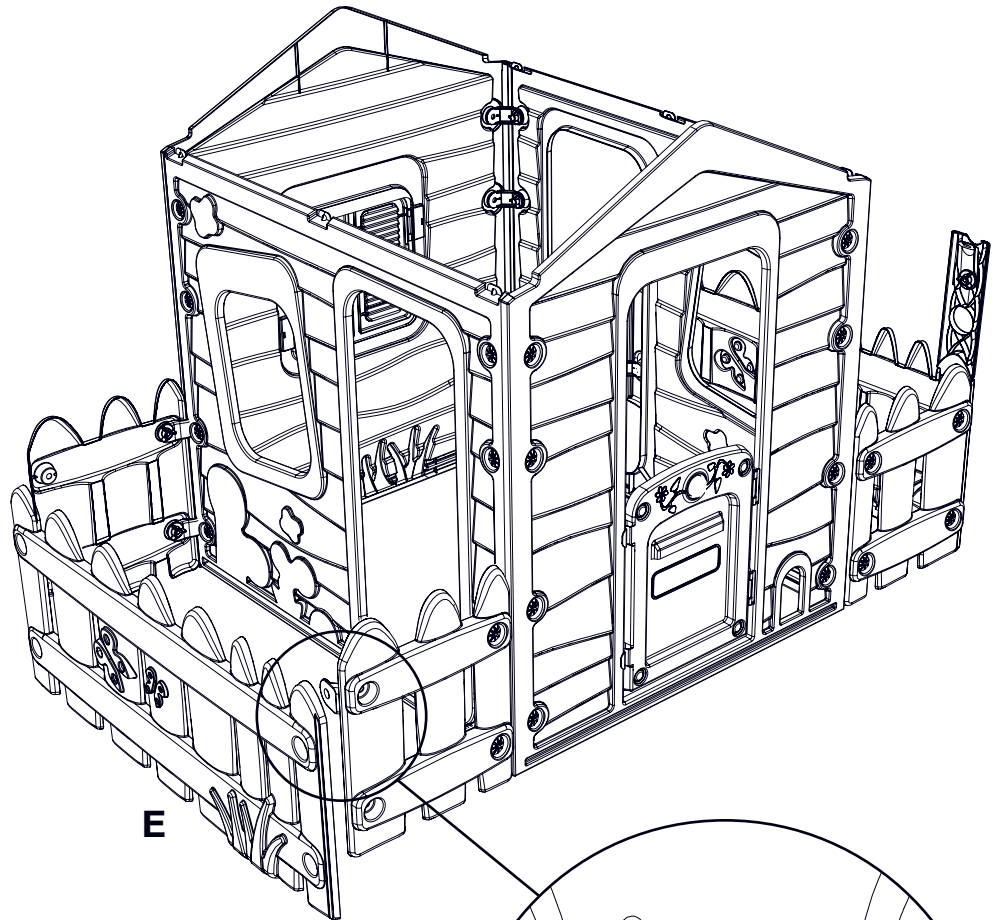
## Step 6

Connect 3 pillars (I) and large fence with middle hole (F) to the assembly with screws (O) and nuts (N).

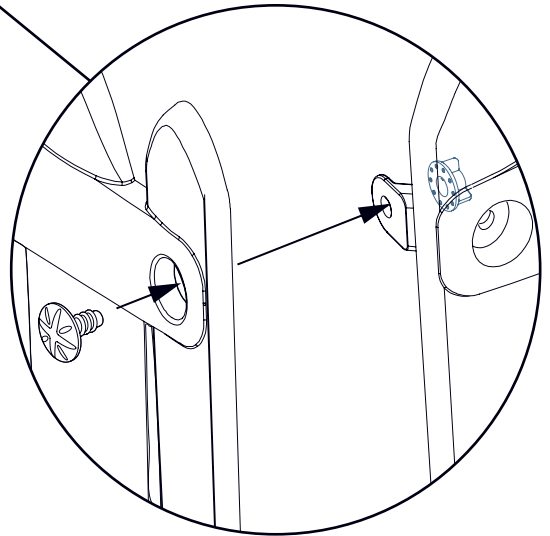
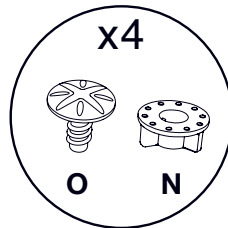


## Step 7

Connect large fence (E) with assembly with screws (O) and nuts (N).



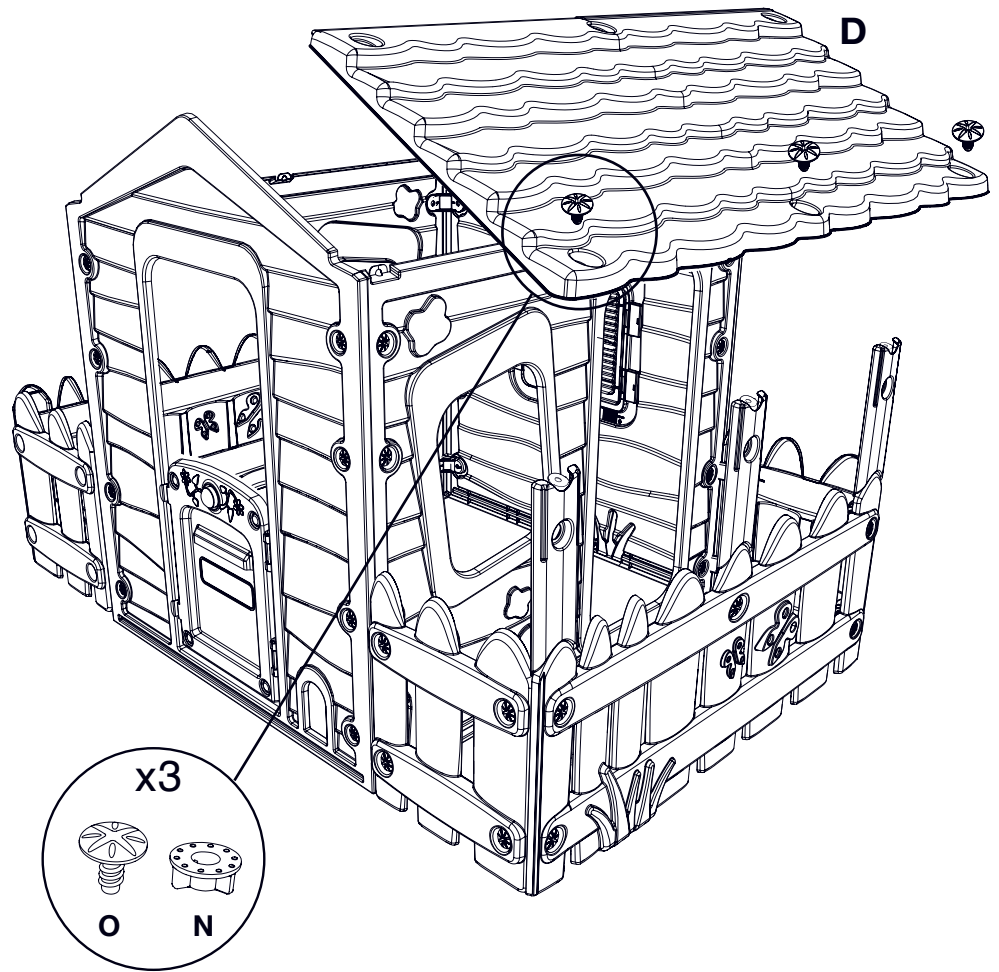
E





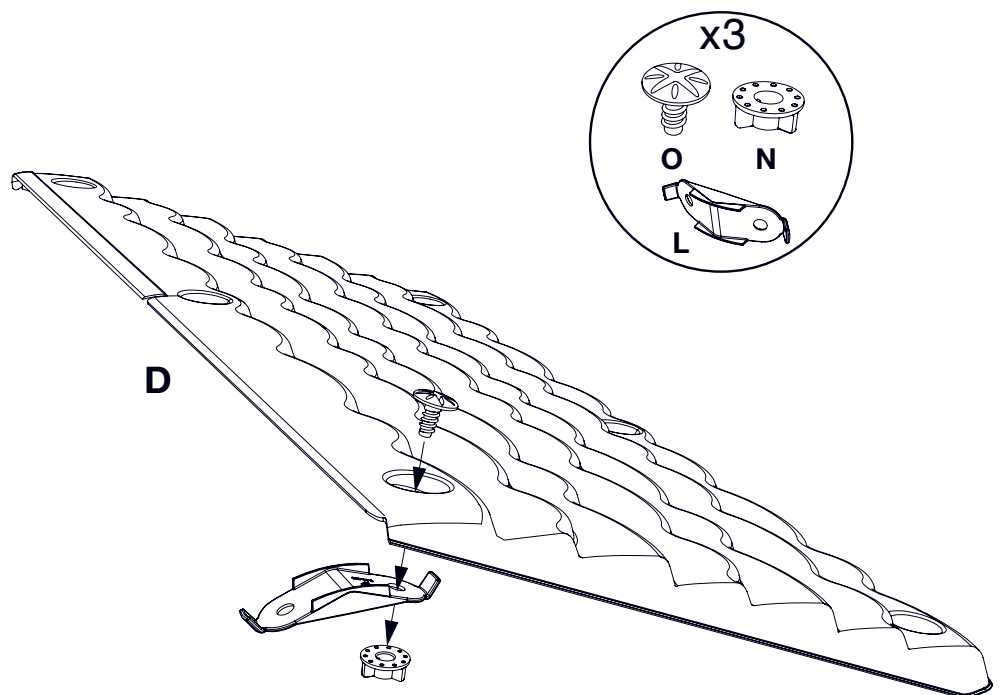
## Step 8

Place one of the roof parts (D) above the porch with pillars and fix it to the pillar connectors (J) with screws (O) and nuts (N).



## Step 9

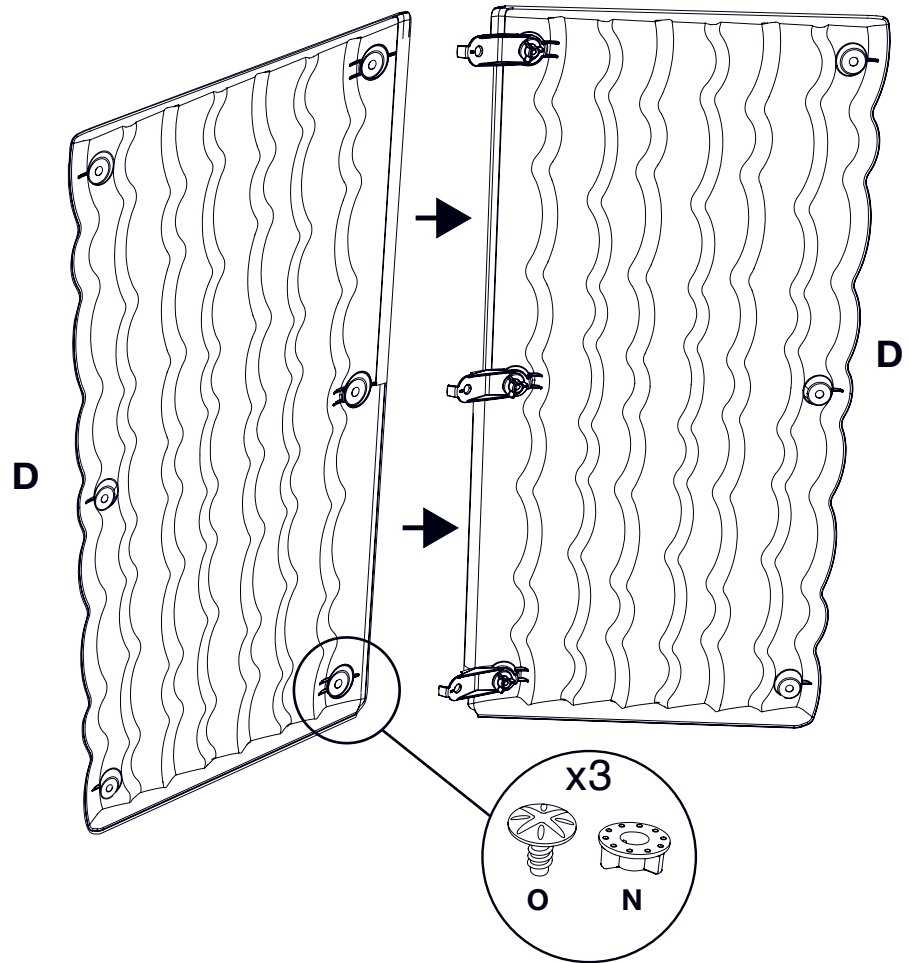
Attach roof connectors (L) to the underside of one of the other roof parts (D) mount roof connectors with screws (O) and nuts (N).



## Step 10

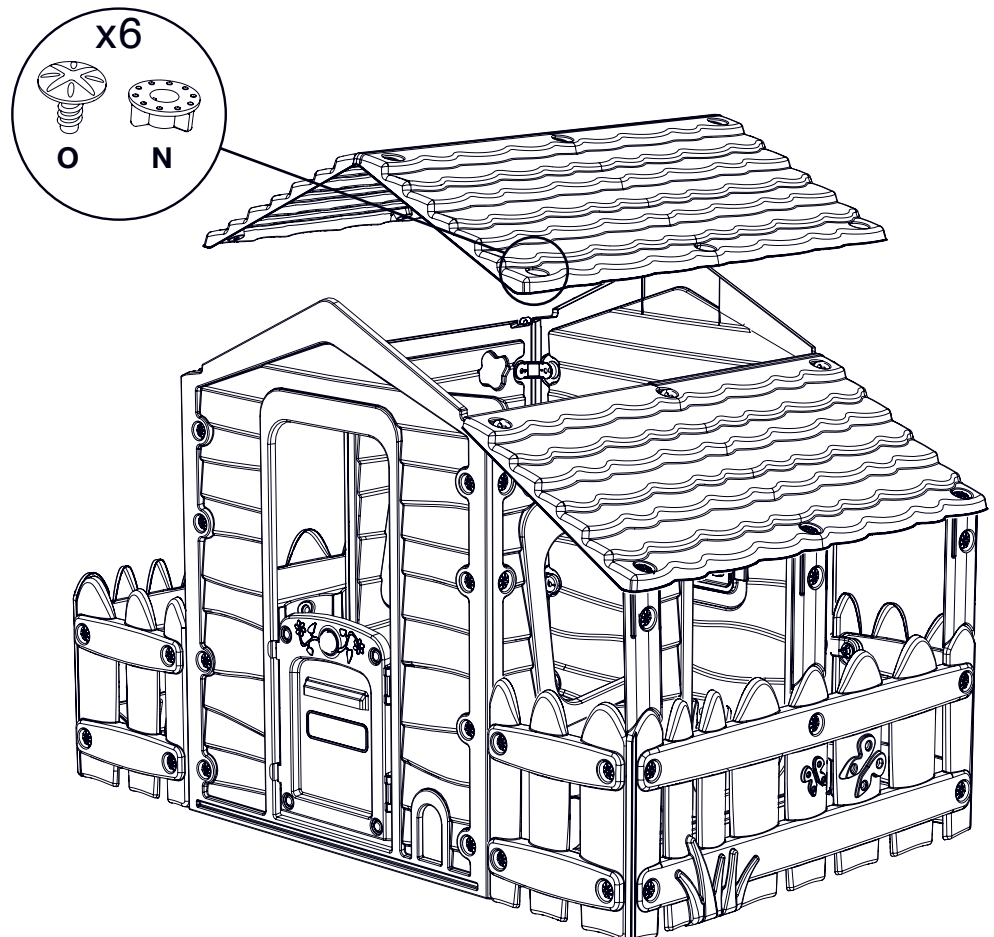
Connect the third roof part (D) to the second roof part (D) (step 5) with screws (O) and nuts (N).

*Mind connecting direction to roof lips direction.*



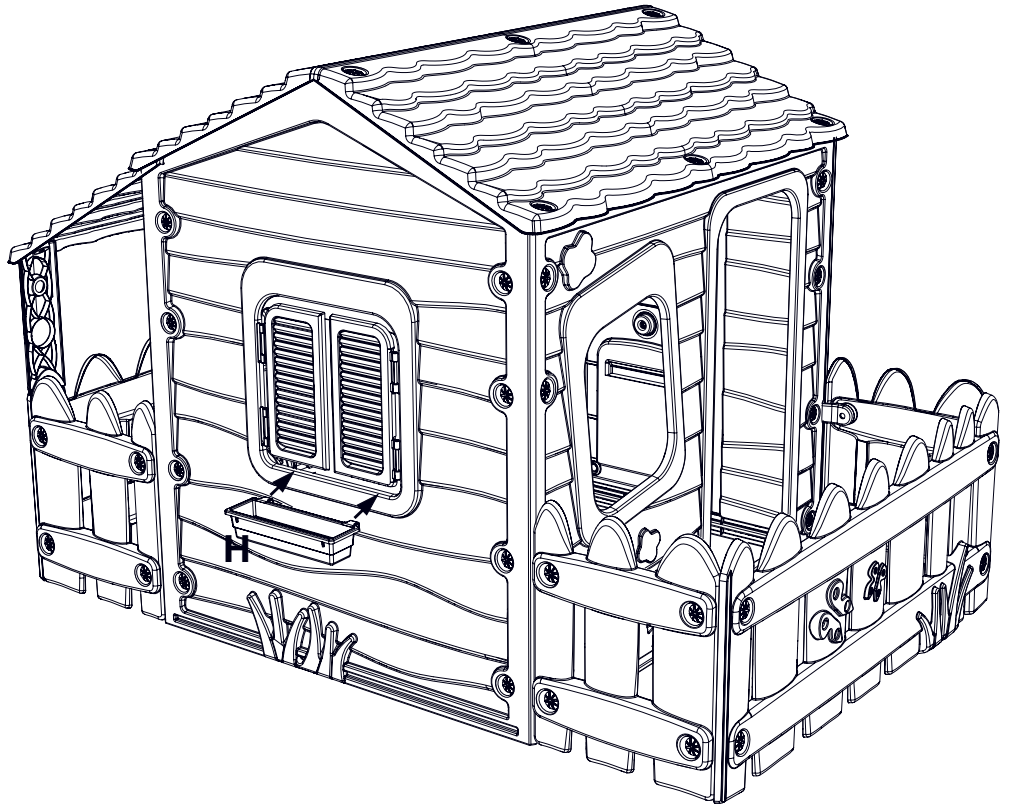
## Step 11

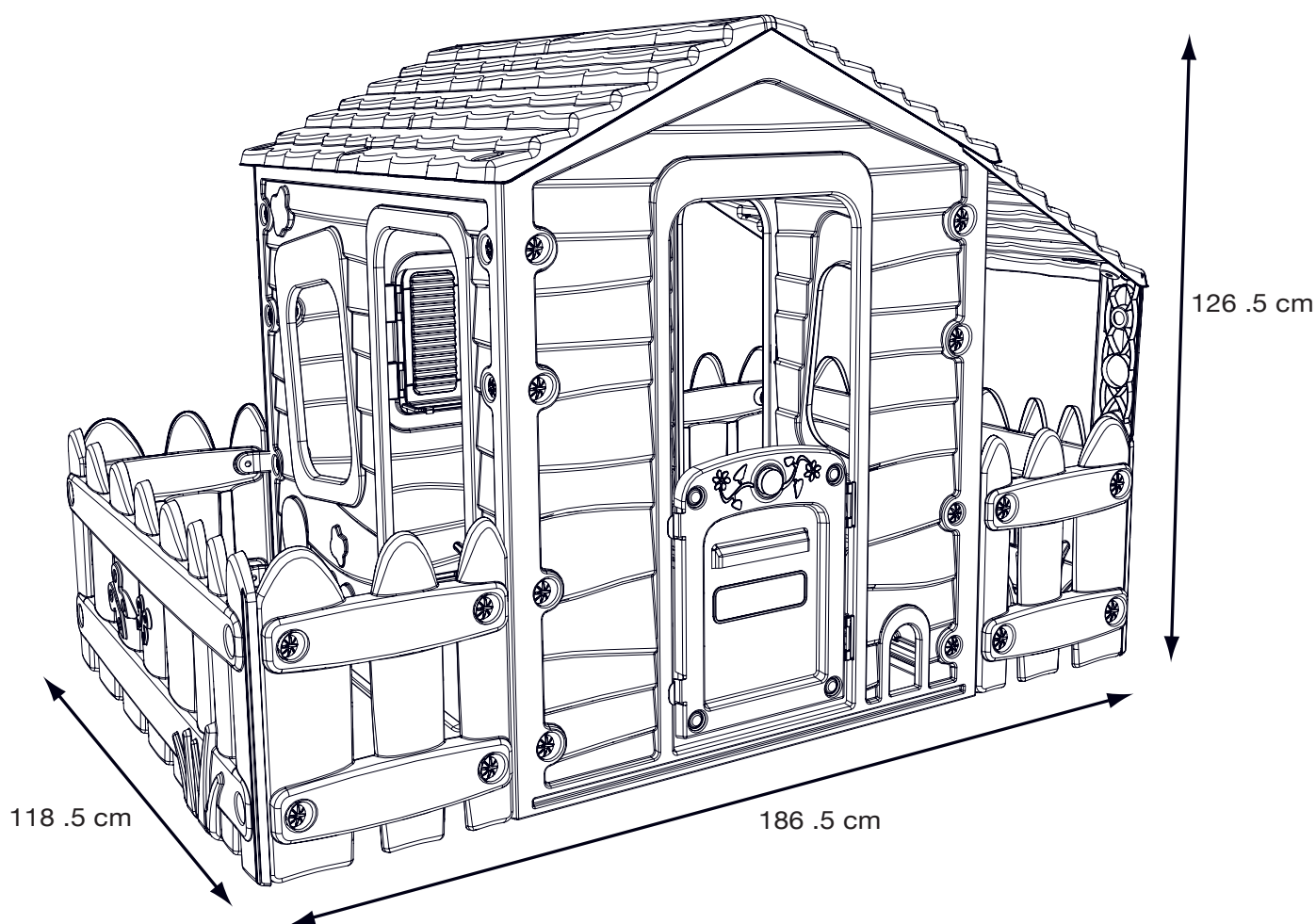
Place the roof on the assembly and fix it with screws (O) and nuts (N).



## Step 12

Place the window box (H) on the window sill back wall.





- WARNING! For domestic use only.
- WARNING! For indoor / outdoor use.
- WARNING! Recommended age of use: 2 years and above.
- WARNING ! Max. user weight 30 kg.
- Remove all packaging materials such as: bags, bands & cardboard packaging.
- Product is not intended to be climbed upon.
- Place the toy on a level surface at least 2m from any structure or obstruction, such as fence, garage, house, overhanging branches, laundry lines or electrical wires.
- The toy shall not be installed on concrete, asphalt or any other hard surfaces.
- Check the toy regularly before use.
- Check connections regularly for continued security and for any evidence of deterioration or hazards.
- If required, replace damaged parts with suitable new parts. Failure to do so may result in an injury.
- Adult assembly required.
- Adult supervision is required at all times
- Please keep this instruction sheet for future reference.
- Take down the item if adverse weather conditions are forecast: i.e. strong winds.



*If you need help or have damaged or missing parts, call the **Customer Helpline: 01291 650581***

*Produced for Chad Valley Toys. Country of origin: Israel.*

*Argos LTD Address: 488 - 499 Avebury Boulevard, Central Milton Keynes, MK9 2NW.*

**[www.argos.co.uk/chadvalley](http://www.argos.co.uk/chadvalley)**