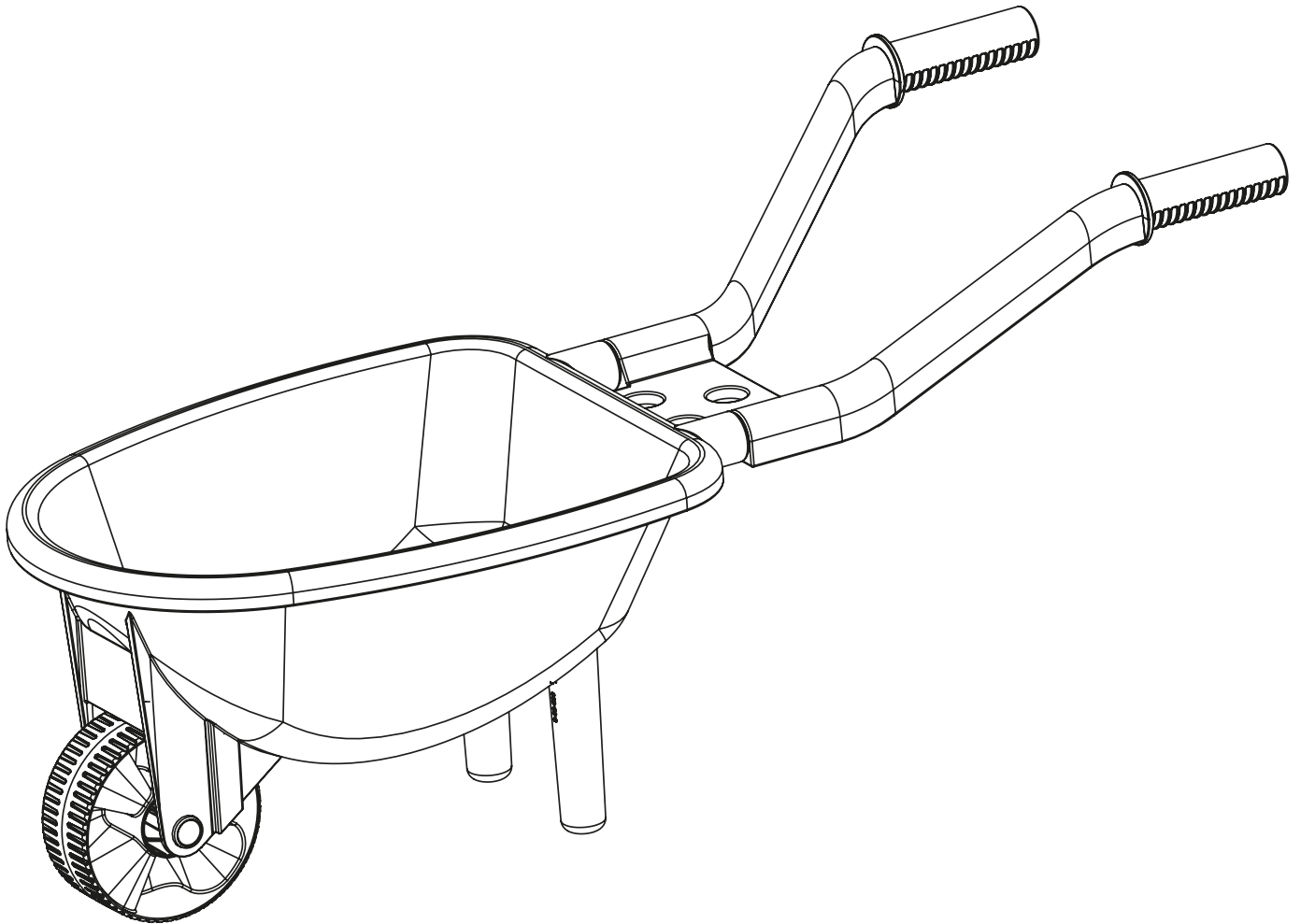


Children's Wheelbarrow

Assembly & User Instructions - Please keep for future reference

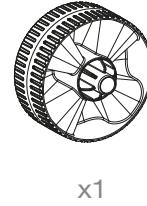
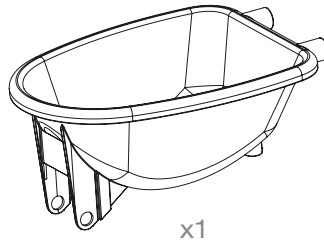
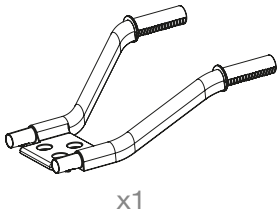
367/4385



Important - Please read these instructions fully before assembly or use

These instructions contain important information which will help you get the best from your product and ensure safe and correct assembly, use and maintenance.

If you need help or have damaged or missing parts, call the **Customer Helpline: 01291 650581**



Assembly Instructions

Step 1

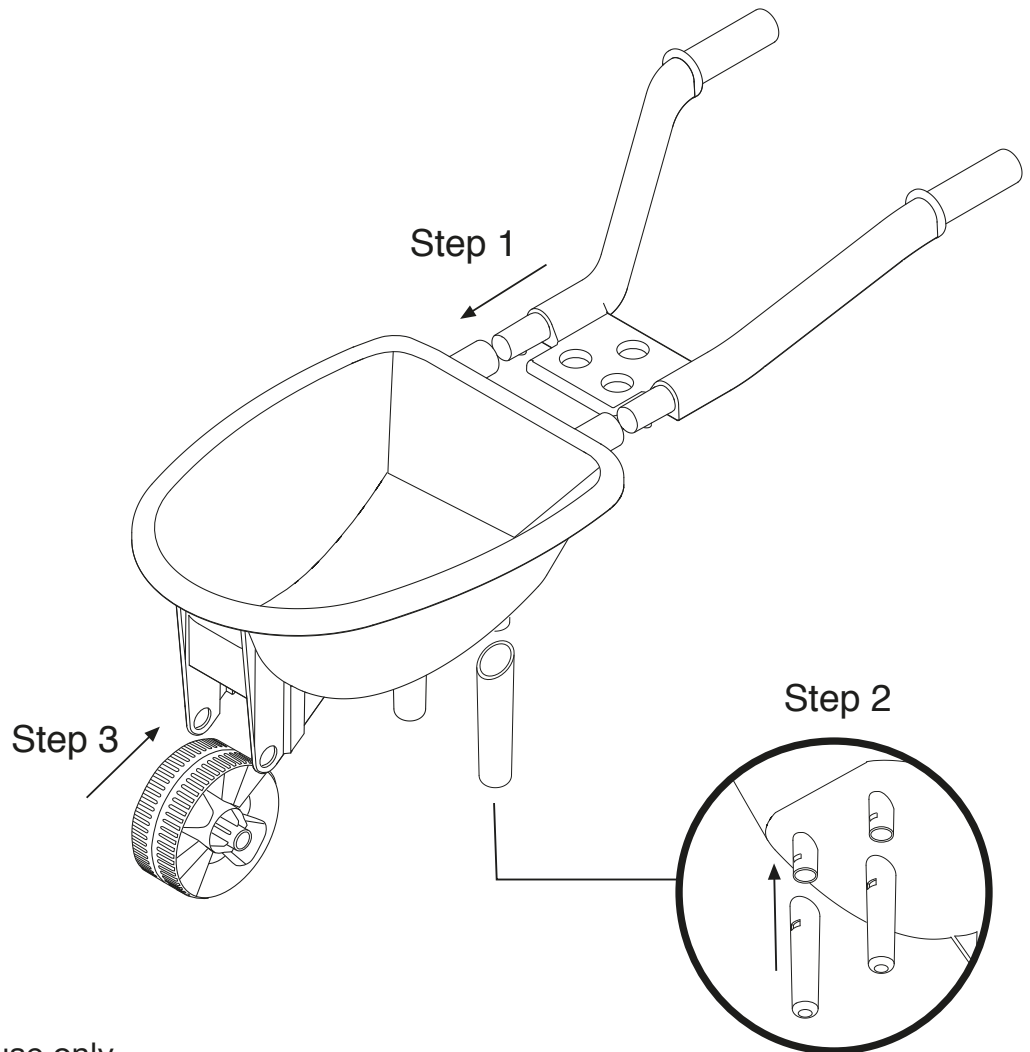
Click on
handle-bar

Step 2

Click legs on

Step 3

Click in Wheel



- **WARNING!** For domestic use only.
- **WARNING!** For indoor / outdoor use.
- **WARNING!** Recommended age of use: 2 years and above.
- Remove all packaging before giving to your child.
- Adult assembly required.
- Please keep this instruction sheet for future reference.



If you need help or have damaged or missing parts, call the **Customer Helpline: 01291 650581**

Produced for Chad Valley Toys. Country of origin: Israel.

Address: 489 - 499 Avebury Boulevard, Central Milton Keynes, MK9 2NW.