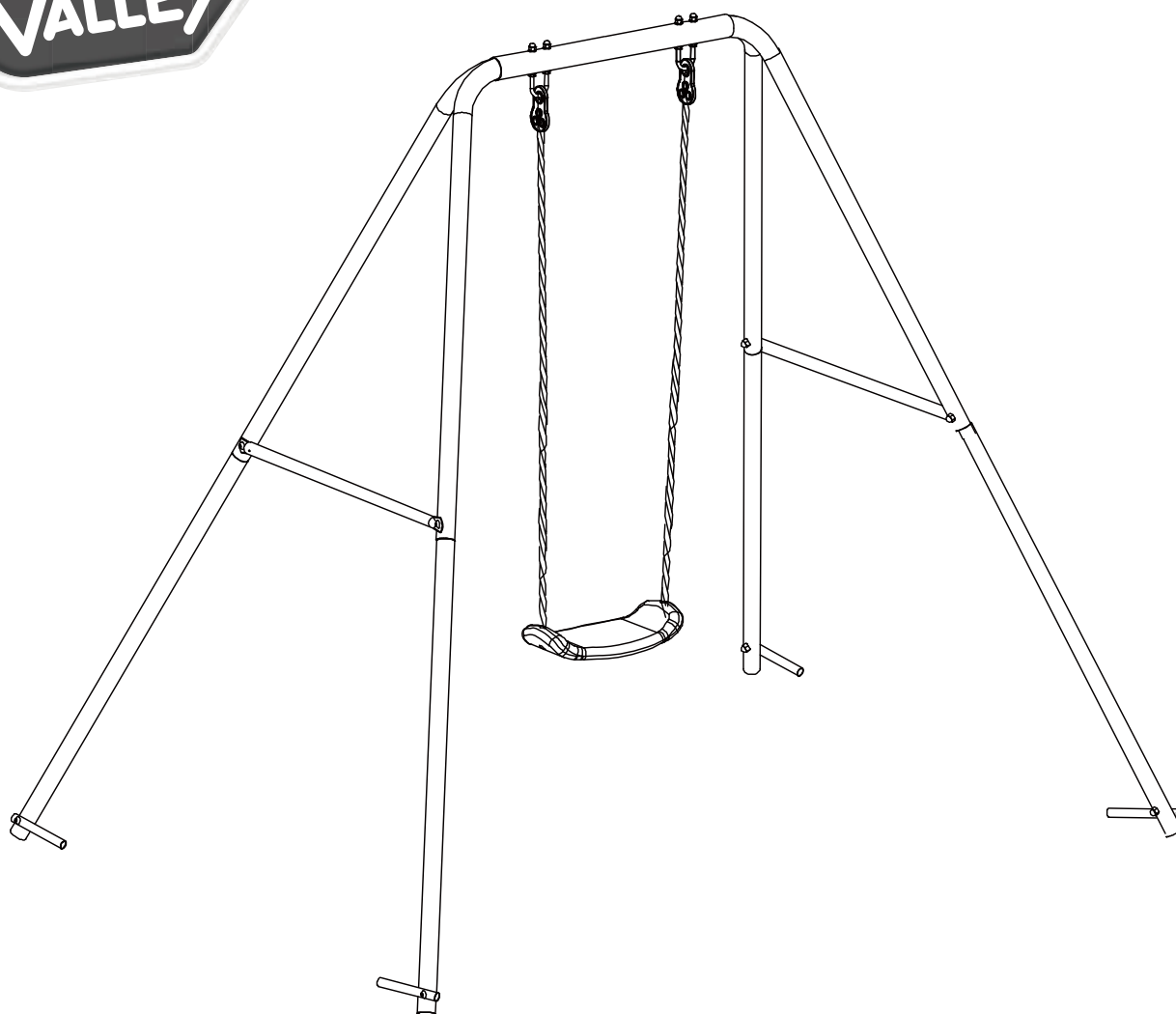


# Pink Single Swing

Assembly & User Instructions - Please keep for future reference

366/6881



## Important

Age: 3 - 8 years  
Maximum user  
weight: 45kg

**Tips: It will take 2 adults  
around 30 minutes to  
assemble.**

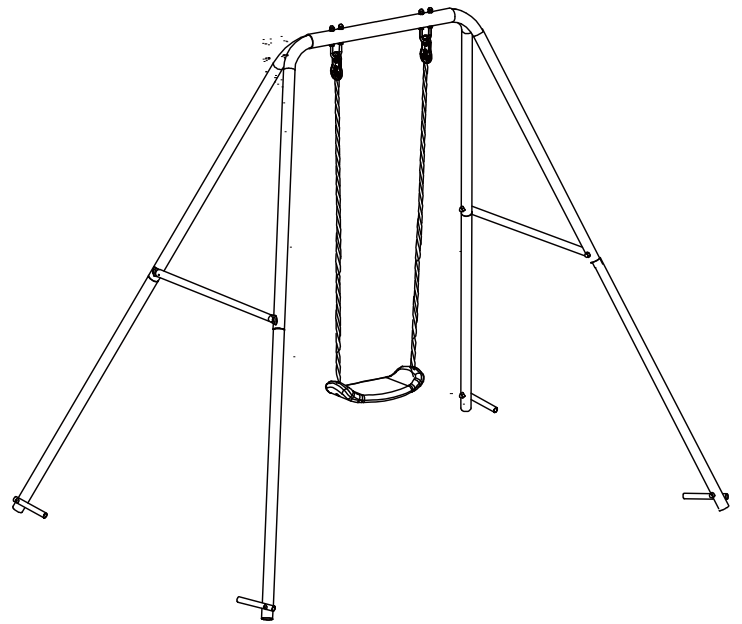
**Important** - Please read these instructions fully before assembly or use.

These instructions contain important information which will help you get the best from your product and ensure safe and correct assembly, use and maintenance.

If you need help or have damaged or missing parts, call the **Customer Helpline: (+44) 0330 0904 420**

# Contents

Warnings	2
Parts	3
Assembly Instructions	4-7
Care and Maintenance	8





# Warnings

**Important** –Please read these instructions fully before assembly or use.



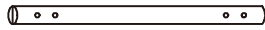
## WARNING

- WARNING! Not suitable for children under the age of 36 months because of small part(s) and long cord(s) – choking and entanglement/ strangulation hazards.
- Suitable for children aged 3-8 years.
- Only one child per seat at any one time.
- For outdoor use.
- Check all nuts, bolts and fittings for tightness and tighten if required.
- Check all coverings for bolts and sharp edges and replace when required.
- Oil all metallic moving parts.
- Check swing seats, ropes and other means of attachments for evidence of deterioration. Replace when required in accordance with the manufacture's instructions.
- Please take note: As an extra precaution, check this toy regularly for signs of wear and damage.
- Place the product on a level surface at least 2 meters from any structures or obstructions such as a fence, garage, house, overhanging branches, laundry line or electrical wires.
- For safety reasons, this swing MUST be anchored into the ground.
- Anchors shall be placed level with or under the ground in order to reduce the risk of tripping. Ensure the child is not facing the sun when on the swing.
- Leave all fittings finger-tight until assembly is complete, for ease of construction. Then tighten firmly.
- This item is not for adults or children weighing more than 45kg.
- DO NOT install the product on concrete, asphalt or hard surfaces.
- DO NOT allow children to stand on the swing seats.
- DO NOT allow children to get off the swings while they are still moving.
- DO NOT twist swing ropes or wrap them over the top bar.
- DO NOT allow loose, hooded or baggy clothes to be worn since children can get trapped and may be unable to free themselves.
- DO NOT allow children to climb on this equipment.
- DO NOT allow children to wander into the play area when the equipment is in use.
- Swings must not exceed an angle of 60 degrees from the ground.
- Failure to assemble and maintain this item as per these instructions may cause injury to the user.
- Packaging materials are not toys. Please remove all packaging and packing tags / wires before giving this toy to your child.
- Adult assembly required.
- For use under adult supervision.
- Check and maintenance of the main parts(crossbeams, suspensions,anchors, ELC.)at regular intervals. If these checks are not carried out, the toy could overturn or otherwise become a hazard.
- Changes to the original toy (for example the adding of an accessory) shall be carried out according to the instructions of the original toy manufacturer.
- Maintenance to be carried out under the direct supervision of responsible adult.
- For family domestic use only.
- Once assembly is complete, carefully check the equipment before use. If you find any problems, do not allow children to use the equipment until it is fit for use.
- Do not adjust the length of the swing rope.
- Please retain these instructions for future reference.
- Warning! Only for domestic use.

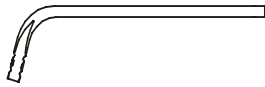
# Parts

If you have damaged or missing parts, call the **Customer Helpline: (+44) 0330 0904 420**

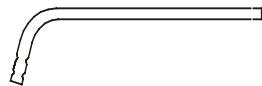
Please Check you have all the parts fittings listed below



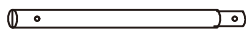
1 Beamx1pc



2 Legx2pcs



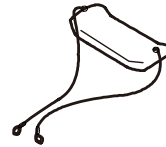
3 Legx2pcs



4 Legx4pcs



5 Railx2pcs



6 Seatx1pc

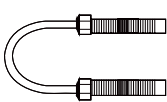
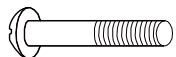
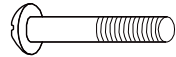






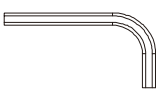
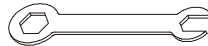


7 Anchorx4pcs



8 Plastic Cap x 4pcs

**Note:** The quantities below are the correct amount to complete the assembly. In some cases more fittings may be supplied than are required.

<p>A</p>  <p>×2 (M8)</p>	<p>B</p>  <p>×4 (M6x42mm)</p>	<p>C</p>  <p>×4 (M6x53mm)</p>	<p>D</p>  <p>×8 ( Ø19×Ø8.5mm )</p>
<p>E</p>  <p>×16 ( Ø14×Ø6.5mm )</p>	<p>G</p>  <p>×4 (Ø13.5×Ø8.5mm)</p>	<p>H</p>  <p>×8 (Ø10×Ø6.5mm)</p>	<p>I</p>  <p>×4 ( M8 )</p>
<p>J</p>  <p>×8 (M6)</p>	<p>K</p>  <p>×1 (4 mm)</p>	<p>L</p>  <p>×1 (10 &amp; 13 mm)</p>	

**Important** - Please read these instructions fully before assembly or use.

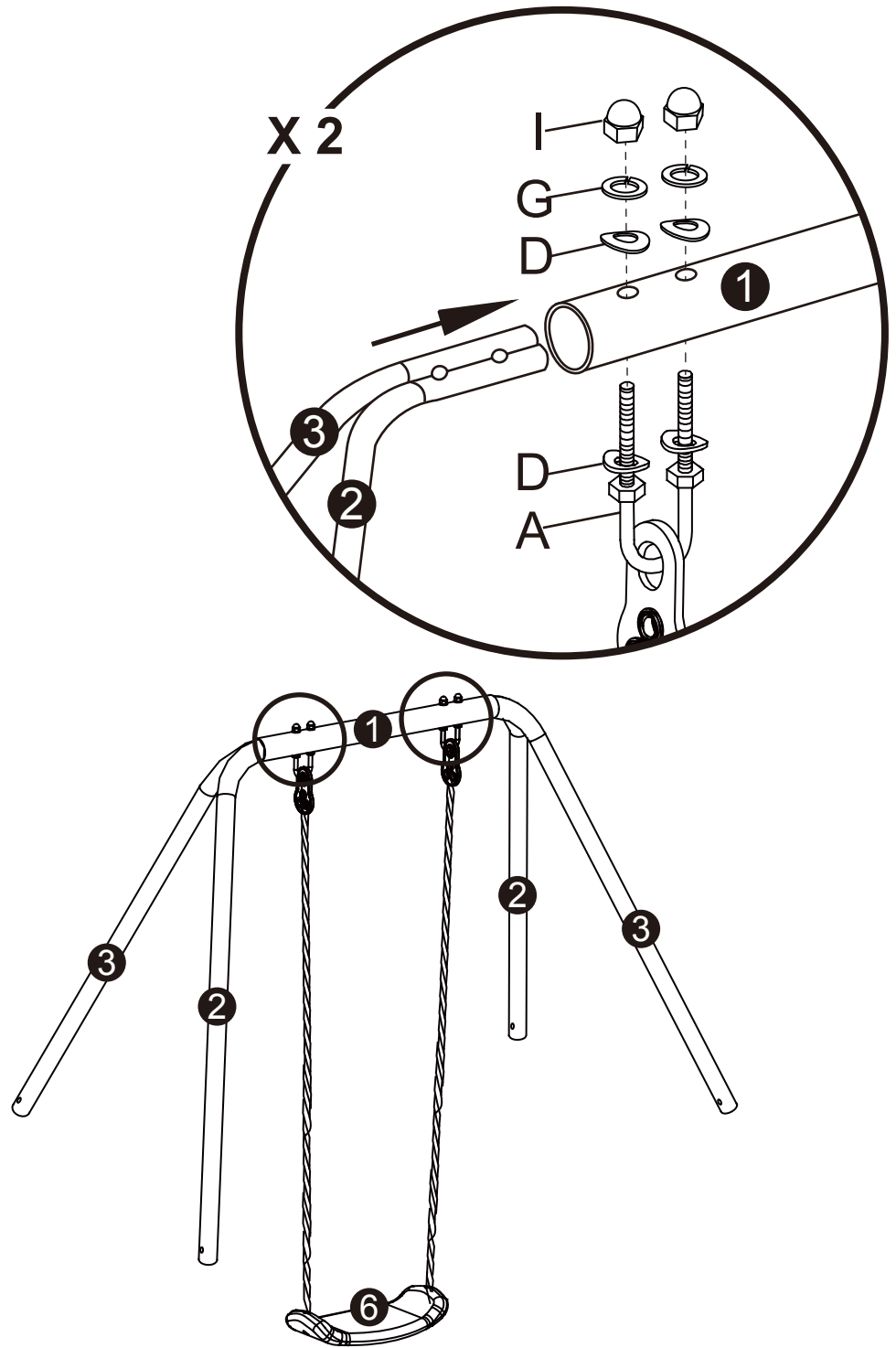


# Assembly Instructions

## Step 1

Attach the swing seat (6) to beam (1) using U bolt(A).  
 Insert Leg(2) and Leg (3) into beam(1) as shown in Figure 1.

Note the position of the  
 Legs need to be inversed  
 on the two sides of the  
 swing frame.



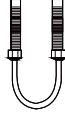



			
A	D	G	I
x 2pcs	x 8pcs	x 4pcs	x 4pcs

Figure 1

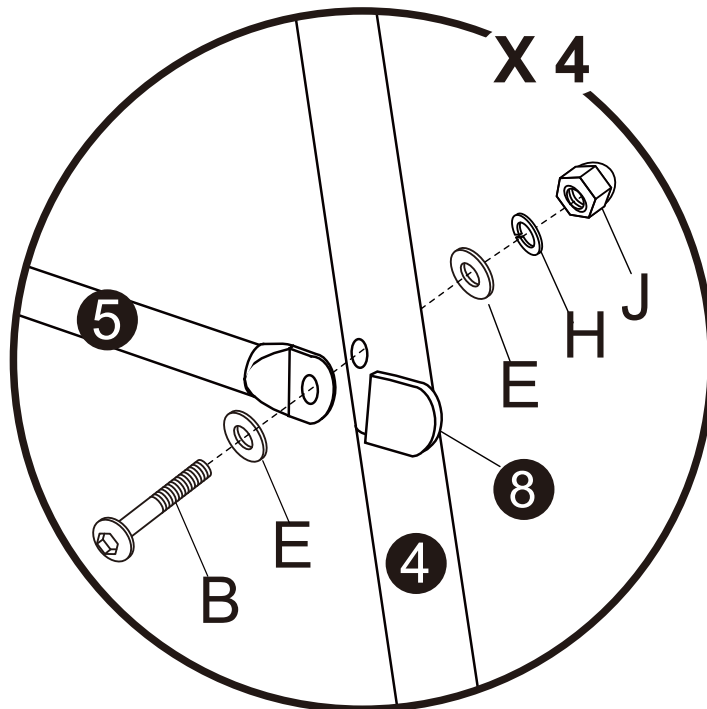
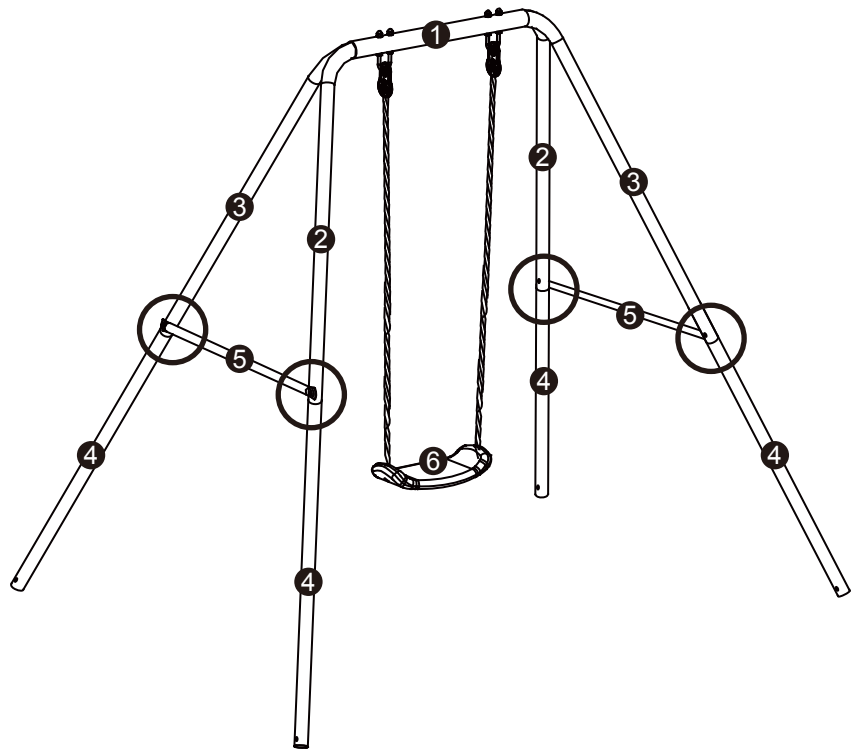
# Assembly Instructions

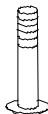



## Step 2

Insert Legs (4) into legs (2) and (3) and secure together with Rail (5) as shown in figure 2.

### Note:

- Plastic cap (8) needs to be inserted into rail (5) before securing the bolt.
- Rail (5) needs to be attached to the outer sides of the swing frame.



			
B	E	H	J
x 4pcs	x 8pcs	x 4pcs	x 4pcs

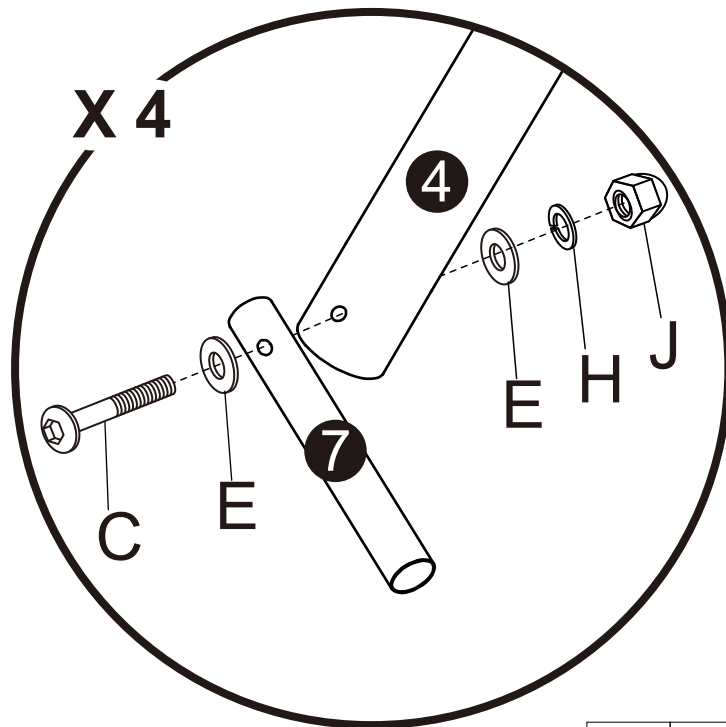
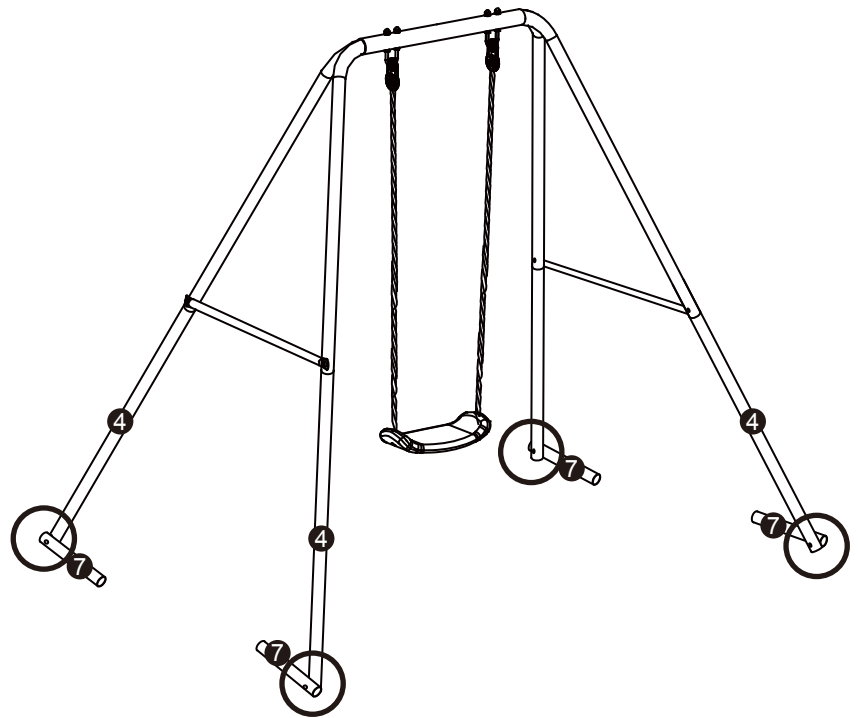
**Figure 2**

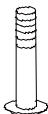



# Assembly Instructions

## Step 3

Attach anchors (7) to the base of Legs (4). Repeat this step for the other remainder anchors.

**TIP: AFTER FINISHING ALL STEPS ABOVE, GO OVER THE ENTIRE UNIT AND TIGHTEN ALL BOLTS.**



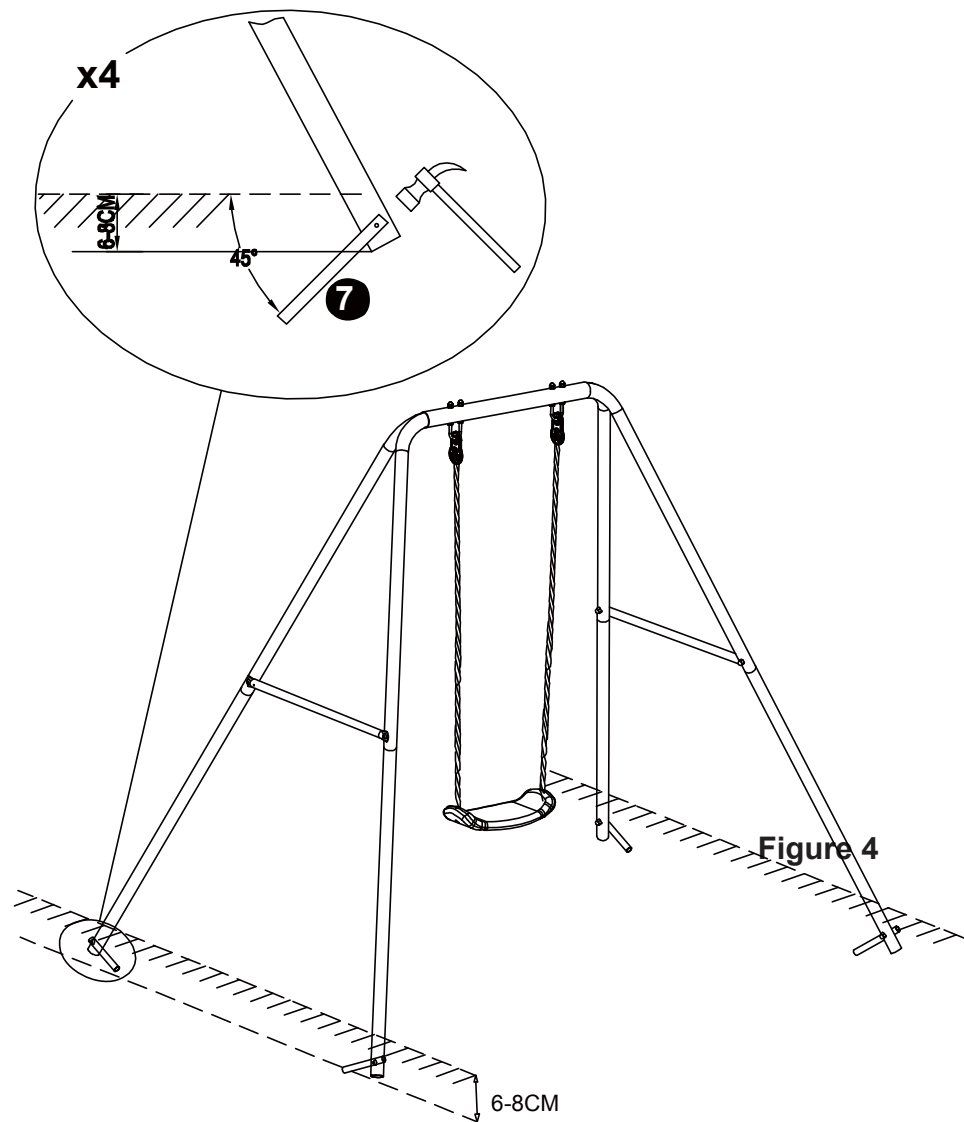
			
C	E	H	J
x 4pcs	x 8pcs	x 4pcs	x 4pcs

**Figure 3**

# Assembly Instructions

## Step 4

Anchor the swing in the ground. By following the previous steps, your single swing should look as shown in the figure 4.





# Assembly Instructions

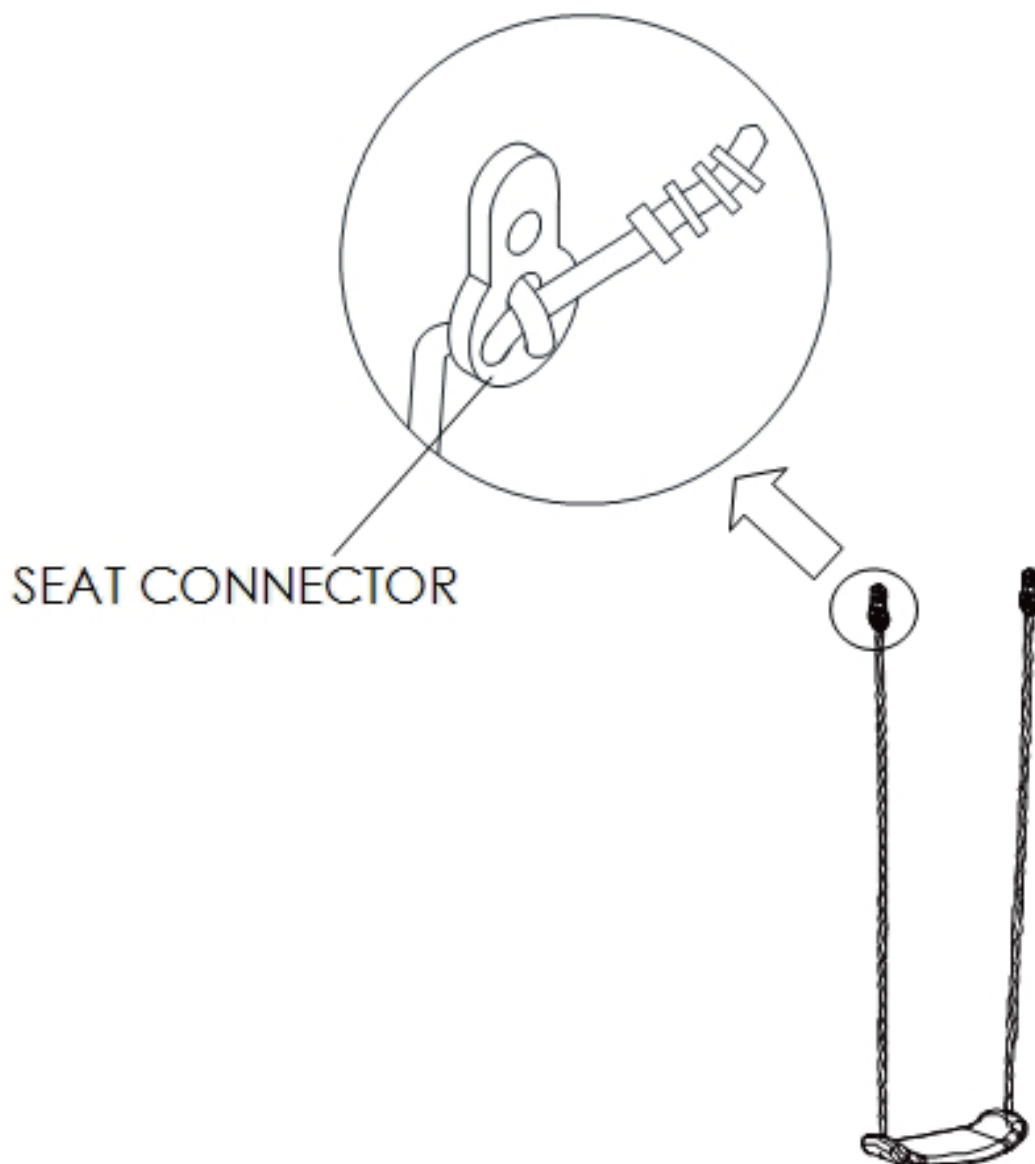
## SEAT ADJUSTABLE GUIDE

THE LENGTH OF THE ROPE IS ADJUSTABLE FOR THE HEIGHT OF THE CHILD THROUGH THE SEAT CONNECTOR.

TO ADJUST, LOOSEN THE KNOT ON THE SEAT CONNECTOR, PULL ROPE THROUGH THE HOLES AND TIGHTEN AGAIN.

MAKE SURE THAT THE KNOTS ARE TIGHT AND THAT BOTH ROPES ARE ADJUSTED SO THAT THE SEAT IS HORIZONTAL.

**IMPORTANT: MINIMUM CLEARANCE BETWEEN THE FOOTREST/SEAT AND THE GROUND SHOULD BE 35 CM.**



# Care and Maintenance

## General

This Single Swing was designed and manufactured with quality materials and craftsmanship.

If correct care and maintenance is taken, it will provide users with longer usage for exercise, fun and enjoyment.

### Inspect regularly for:

- CHECK ALL NUTS AND BOLTS TWICE MONTHLY DURING THE USAGE SEASON FOR TIGHTNESS AND TIGHTEN AS REQUIRED. IT IS PARTICULARLY IMPORTANT THAT THIS PROCEDURE BE FOLLOWED AT THE BEGINNING OF EACH SEASON.
- Never use pliers or power tools to tighten up screws - these can cause damage to both the paintwork and the special anti - corrosion plating.
- Tighten all nuts and bolts securely. Replace as needed. If not checked regularly, bolts can be loose or missed and components can become detached and cause injuries.
- Check the unit at the beginning of the usage season and monthly thereafter for evidence of deterioration.
- Immediately remove and replace any items that appear to be weak or broken. Contact Customer
- Check all covers designed for bolts and sharp edges regularly to be certain they are present and in good condition. Replace as needed. It is particularly important that all covers are checked prior to the first use each season.
- Inspect handle bar, hardware, and etc., for proper closure and for signs of wear, deterioration, rust and/or damage. Replace as needed.
- Lubricate all metallic moving parts monthly during the usage season. Applying a light coat of automobile wax to all metal tubing surfaces will help protect your unit and add to its longevity. Sand any rusted areas of the metal tubing and repaint using a non-lead based paint.
- Remove plastic seats and store indoors, and do not use when the temperature drops below 32°F/0°C.
- Check unit for scuffs, burrs, sharp edges and any other defects that may occur from assembly, abuse, shipping or everyday use. Burrs and sharp edges may be filed down until smooth and covered with duct tape if necessary.
- To help maintain the product's appearance, occasionally clean the seats and metal framework with a damp cloth lightly – but DO NOT use abrasive chemical cleaners.
- When the time comes to disassemble and dispose of this product, please completely disassemble the unit and discard of it in a safe place and manner so as not to present any hazard to any individual. It is important to check and maintain the main parts at regular intervals. If these checks are not carried out, the toy could overturn or otherwise become a hazard. Whenever practical, the instructions shall also be affixed to the toy.
- **IMPORTANT! KEEP FOR FUTURE REFERENCE.**

### WARNING!

**Not suitable for children under the age of 36 months because of small part(s) and long cord (s) - choking and entanglement/strangulation hazards. Suitable for children aged 3-8 years. Only one child per seat at any one time. For family domestic use only. Suitable for outdoor use. This item is not for adults or children weighting more than 45kg. Adult assembly required. It is important that children be supervised at all times. Do not leave children unattended. Packaging materials are not toys. Please remove all packaging and packing tags/wires before giving this toy to your child.**



**WARNING! Not suitable for children under 3 years due to small parts, chocking hazard.**



If you need help or have damaged or missing parts, call the Customer Helpline: (+44) 0330 0904 420  
Produced for Chad Valley Toys. Argos Ltd. Country of origin: China  
Address: 489 - 499 Avebury Boulevard, Central Milton Keynes, MK9 2NW. [www.argos.co.uk](http://www.argos.co.uk)