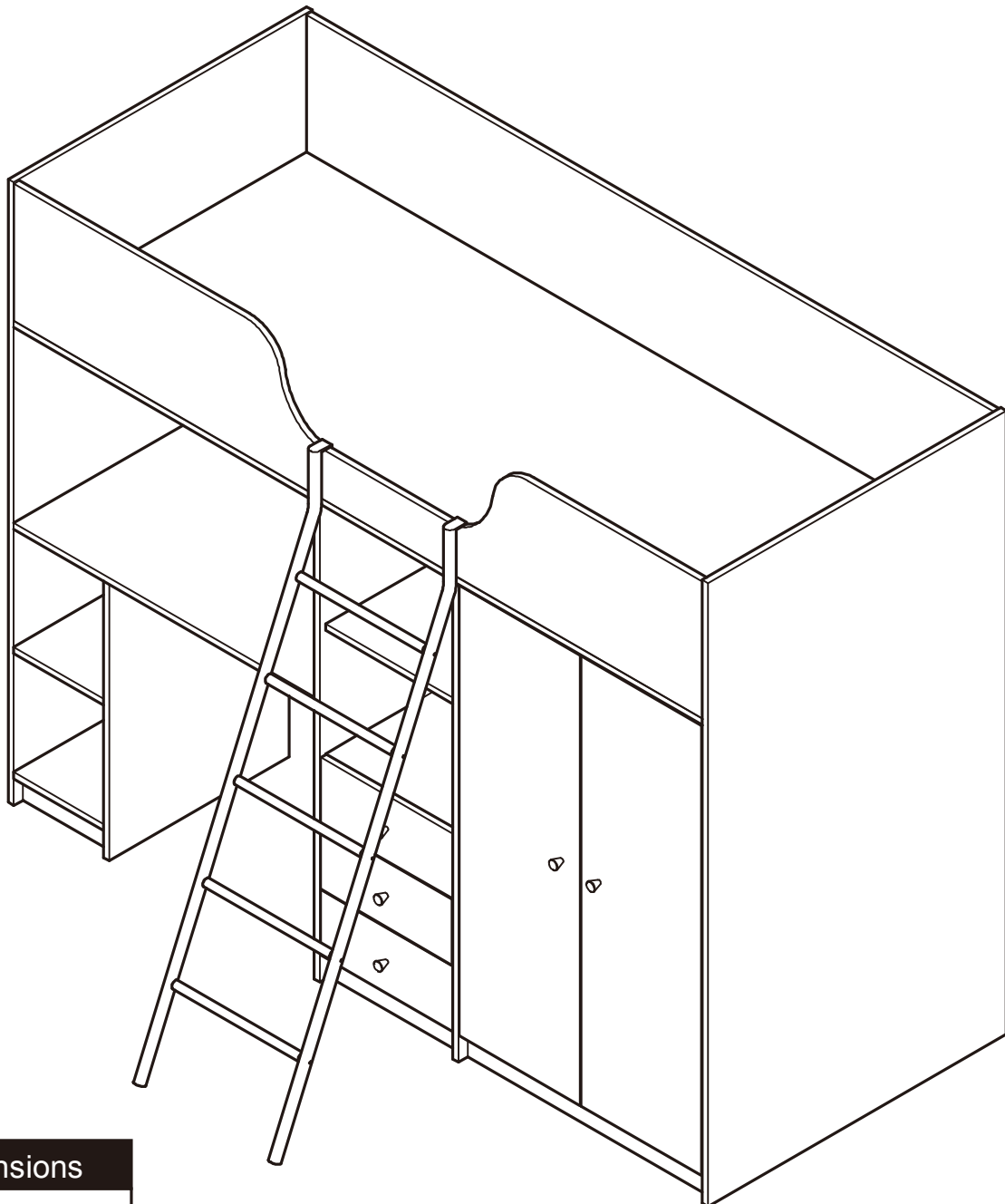


Ohio Highsleeper Frame

Assembly Instructions - Please keep for future reference

338/7005

345/9270



Dimensions

Width - 194.5cm

Depth - 95cm

Height - 150cm

Important - Please read these instructions fully before starting assembly

If you need help or have damaged or missing parts, call the **Customer Helpline:**
Argos = 0345 6400800



WARNING

IMPORTANT! KEEP FOR FUTURE REFERENCE

- This bed complies the European Standard BS EN 747-1 and BS EN 747-2:2012.
- Follow the information on the warnings appearing on the upper bunk bed and do not remove the warning label.
- Warning: “Children can become trapped between the bed and the wall. To avoid risk of serious injury the distance between the top safety barrier and the wall shall not exceed 75mm or shall be more than 230mm”.
- Be aware of children can strangle in item such as ropes, strings, cords, harnesses and belt attached to or hung on the bunk bed / high bed.
- Be aware of the risk of injury of young children falling from the upper bunk bed.
- Warning: Do not allow children under 6 years old to use the top bunk bed due to the risk of injury from falls.
- The top of the mattress shall be at least 160mm below the upper edge of guardrails.
- Recommended use only mattress which is L190 x W90 cm, 17cm or less in thickness on upper bunk bed.
- Always use the recommended size mattress to prevent the likelihood of entrapment or falls.
- The use of water or sleep flotation mattress is prohibited.
- Prohibit more than one person on the upper bunk bed and do not allow horseplay on or under the bed and prohibit jumping on the bed.
- Always use the ladder for entering and leaving the upper bunk bed.
- Do not use substitute parts, and stop to use the bunk bed if any structural part is broken or missing.
- Use of a night light may provide added safety precaution for a child using the upper bunk bed.
- Periodically check and ensure that the guardrail, ladder, components and all assembly fastenings are in their proper position and that care should be taken that no fittings are loose.
- The maximum child weight : 75 Kgs.



Safety and Care Advice

Important – Please read these instructions fully before starting assembly

- Check you have all the components and tools listed on the following pages.
- Remove all fittings from the plastic bags and separate them into their groups.
- Keep children and animals away from the work area, small parts could choke if swallowed.
- Make sure you have enough space to layout the parts before starting.
- Do not use this item if any components are missing or damaged.
- During assembly do not stand or put weight on the product, this could cause damage.
- Assemble the item as close to its final position (in the same room) as possible.
- Assemble on a soft level surface to avoid damaging the unit or your floor.
- During assembly children should be kept away from the product due to possible risk of injury.
- Parts of the assembly will be easier with 3~4 people.



- To reduce the likelihood of damaging your product please ensure that your power drill is set on a low torque setting.

Care and maintenance

- Only clean using a damp cloth and mild detergent, do not use bleach or abrasive cleaners.
- From time to time check that there are no loose screws on this unit.
- This product should not be discarded with household waste. Take to your local authority waste disposal centre.

Handy Hints

- Regularly check and ensure that all bolts and fittings are tightend properly.

IMPORTANT: RETAIN THESE INSTRUCTIONS FOR FUTURE REFERENCE

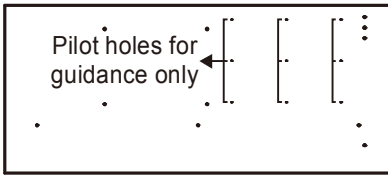
- Argos Ltd. MK9 2 NW.
- This product is intended for children in the age 6 or above.
- Maximum load: 75 kgs.
- Assembly of this product must be carried out by a competent adult.

Note: if required the next page can be cut out and used as reference throughout the assembly. Keep this page with these instructions for future reference.

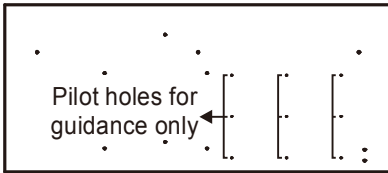
Components - Panels

If you have damaged or missing components, call the Customer Helpline: Argos = 0345 6400800

Please check you have all the panels listed below



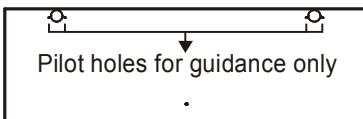
1 Centre right side panel (115 x 50cm)



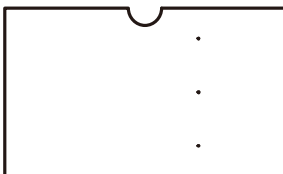
2 Centre left side panel (115 x 50cm)



3 Centre back panel (115 x 37cm)



4 Door panel x 2 (107.7 x 33.4cm)



5 Table top (83.5 x 50cm)



6 Centre Shelf x 2 (37 x 33.4cm)



7 Centre Bottom panel (37 x 7cm)



8 Centre front support (37 x 7cm)



9 Right front support (67.8 x 7cm)



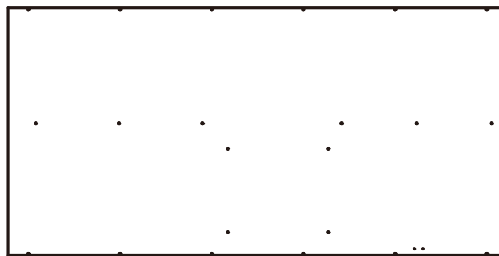
10 Left front support (25 x 7cm)



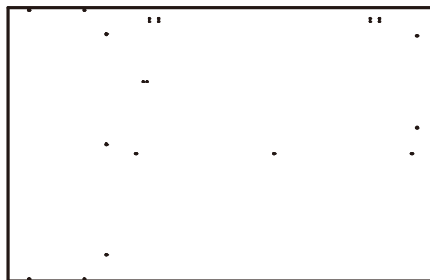
11 Bed frame (191.4 x 33cm)



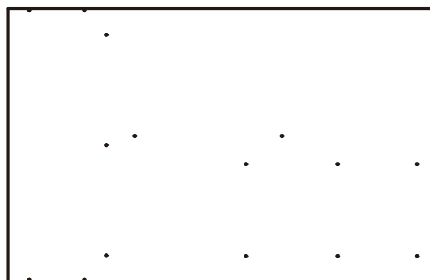
12 Front bed frame (191.4 x 33cm)



13 Bed panel (191.4 x 95.2cm)



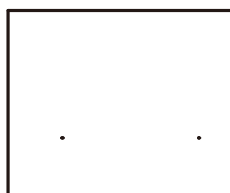
14 Right side panel (150 x 95.2cm)



15 Left side panel (150 x 95.2cm)



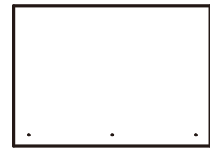
16 Right back panel (115 x 69.4cm)



17 Left back panel (85.1 x 69.4cm)



18 Left support panel (66.5 x 50cm)



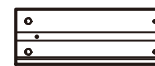
19 Right bottom panel (67.8 x 48.3cm)



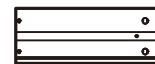
20 Left bottom panel (50 x 25cm)



21 Left shelf (50 x 25cm)



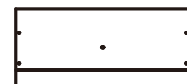
22 Drawer right side panel x 3 (29.8 x 11.5cm)



23 Drawer left side panel x 3 (29.8 x 11.5cm)



24 Drawer back panel x 3 (33.8 x 11.5cm)



25 Drawer front panel x 3 (36.4 x 16cm)




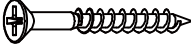









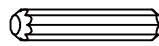




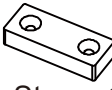


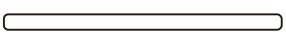





26 Drawer bottom panel x 3 (34.7 x 29.4cm)



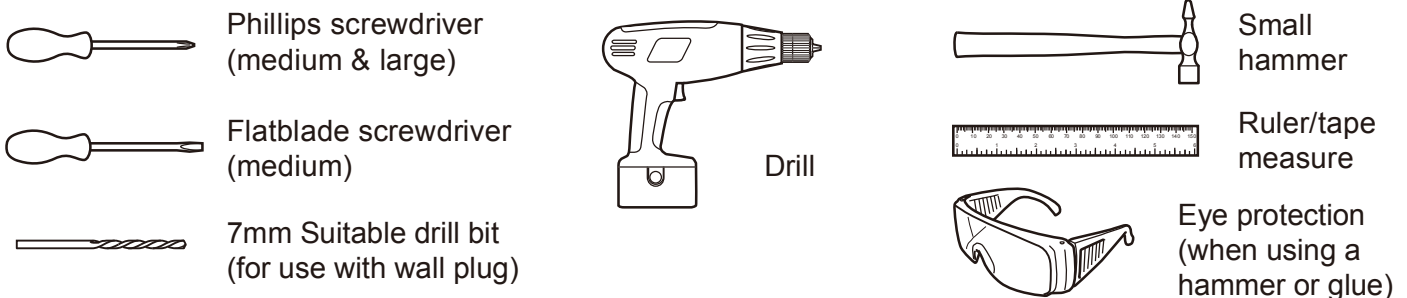
Components - Fittings

Please check you have all the fittings listed below

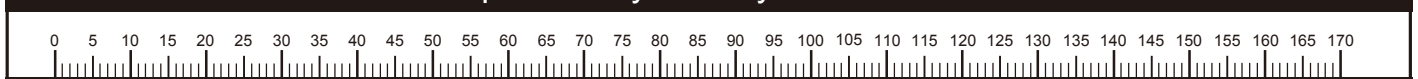
Note: The quantities below are the correct amount to complete the assembly. In some cases more fittings may be supplied than are required.

A  50mm Screw x 84	B  30mm Screw x 17	C  14mm Screw x 14
D  12mm Screw x 6	E  20mm Screw x 2	F  (24 pcs screws are included in the door hinges bag, 4 pcs for rail support) 15mm Screw x 28
G  (This screw is included in the runners bag) 12mm Screw x 18	H  (This bolt is included in the ladder bag) 42mm Bolt x 10	I  39mm Locking pin x 14
J  12mm Locking nut x 12	K  15mm Locking nut x 2	L  30mm Dowel x 1
M  Door hinge x 4	N  Runner x 6	O  Rail Support x 2
P  Plastic support x 7	Q  Door Stop x 1	R  Handle x 5
S  Ladder post x 2	T  Ladder step x 5	U  Clothes rail x 1
V  Sprint washer x 10	W  Door pad x 4	X  Allen key x 1
Y  Screw Cover x 40		

Tools required



Ruler - Use this ruler to help correctly identify the screws



The screws length is measured from the head to the point (30mm screw shown).

Assembly Instructions

Step 1

Fitting the track



Important: Because of the size of this unit we recommend that it is built in the room intended for use.



Warnung: Be aware of the danger of young children under six years old falling from the upper bunk. Top bunk beds are not recommended for children under six years old.
Complies BS EN 747-1 and BS EN 747-2:2012.

It would be useful to ask someone to help you at this stage.

Note: There are many different kinds of screws and parts. Ensure you check before assembly.

a: Position Runners **N** in front edge of the Centre right side panel **1**.

Slide top of the Runners **N** back.

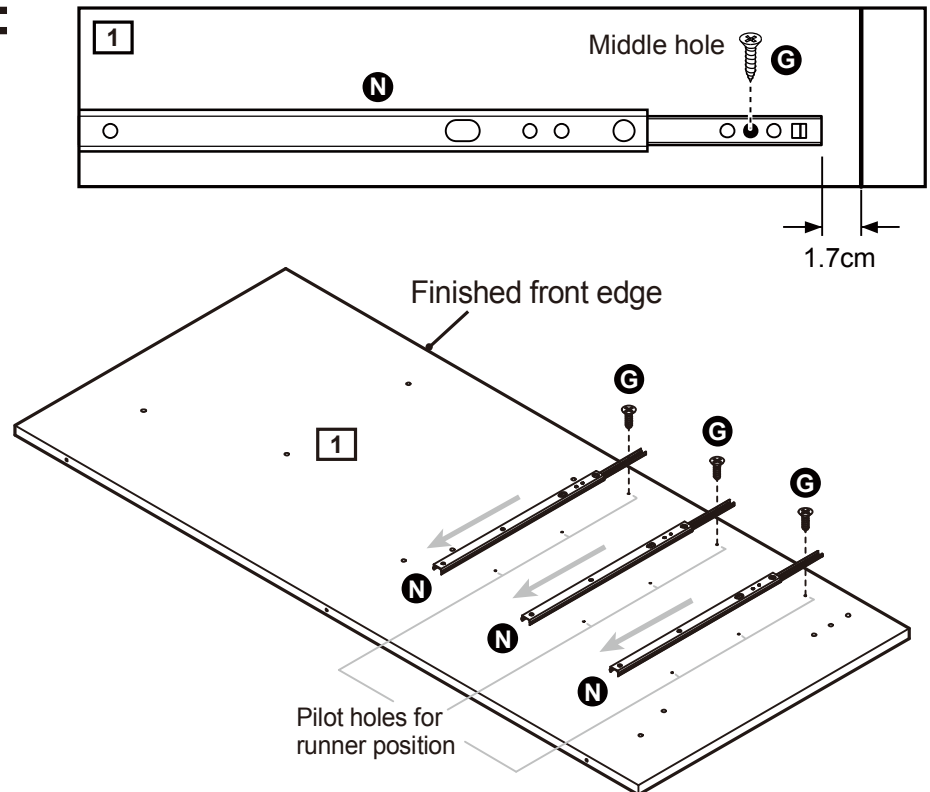
Use screws **G** to fix the Runners **N** on the Centre right side panel **1**.

Note: The front part of the runner should be approximately 1.7cm from the front edge of the panel.

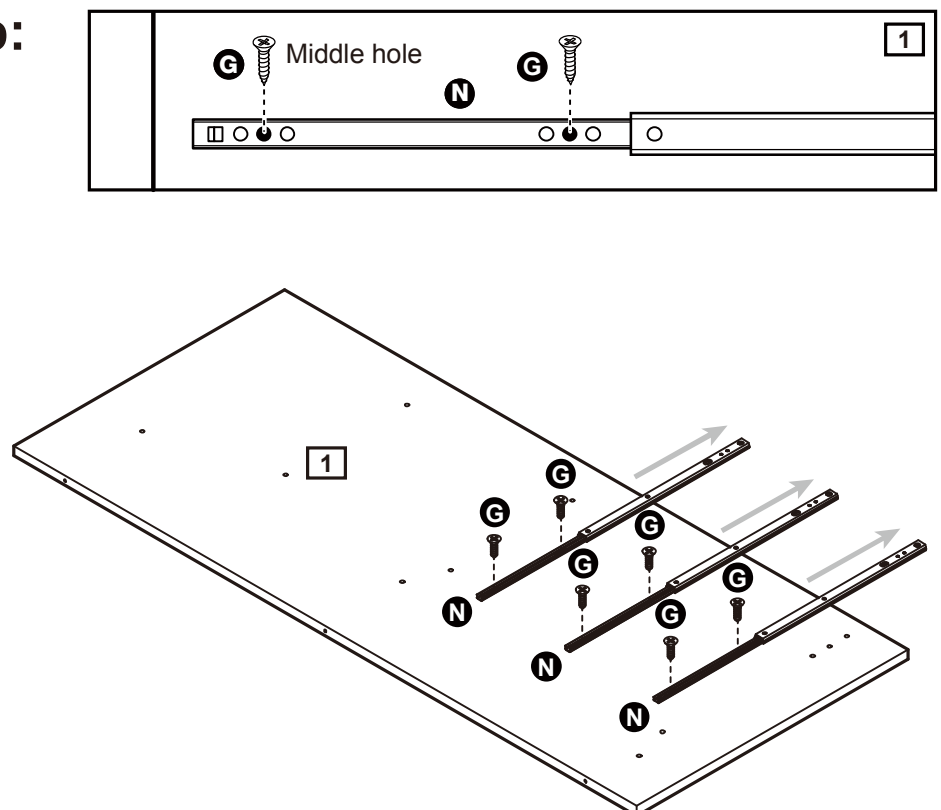
b: Slide top of Runners **N** forward and fix as shown using Screws **G**.

Continued on next page.

a:



b:



Assembly Instructions

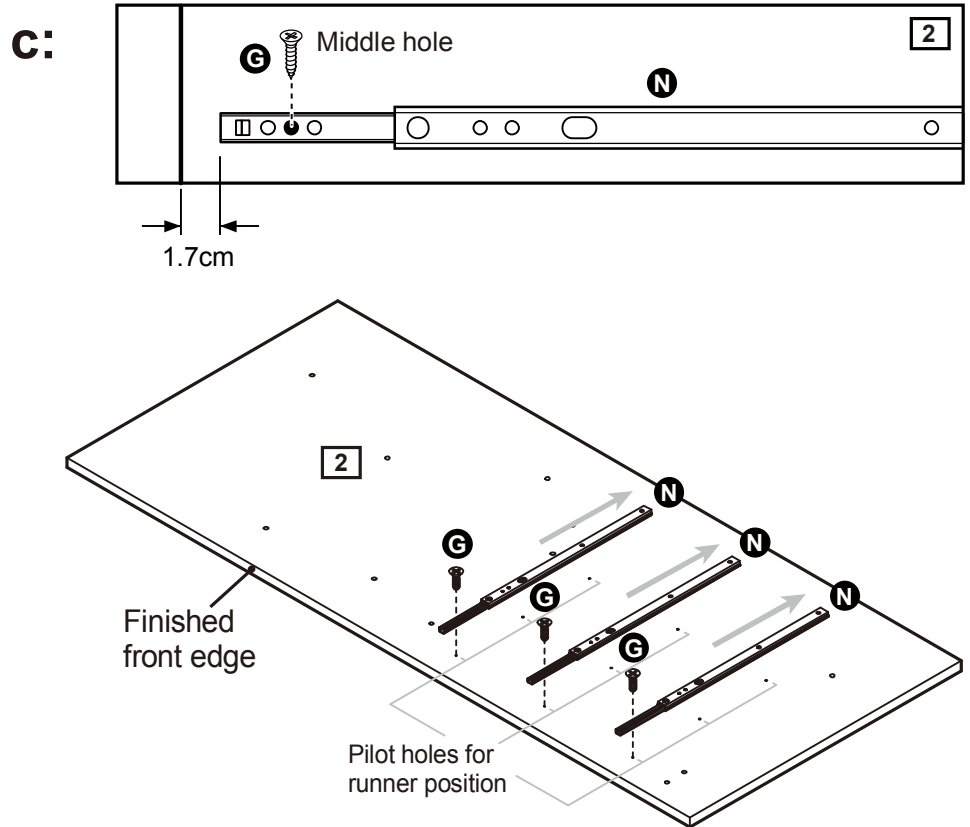
Step 1 - continued

c: Position Runners **N** in front edge of the Centre left side panel **2**.

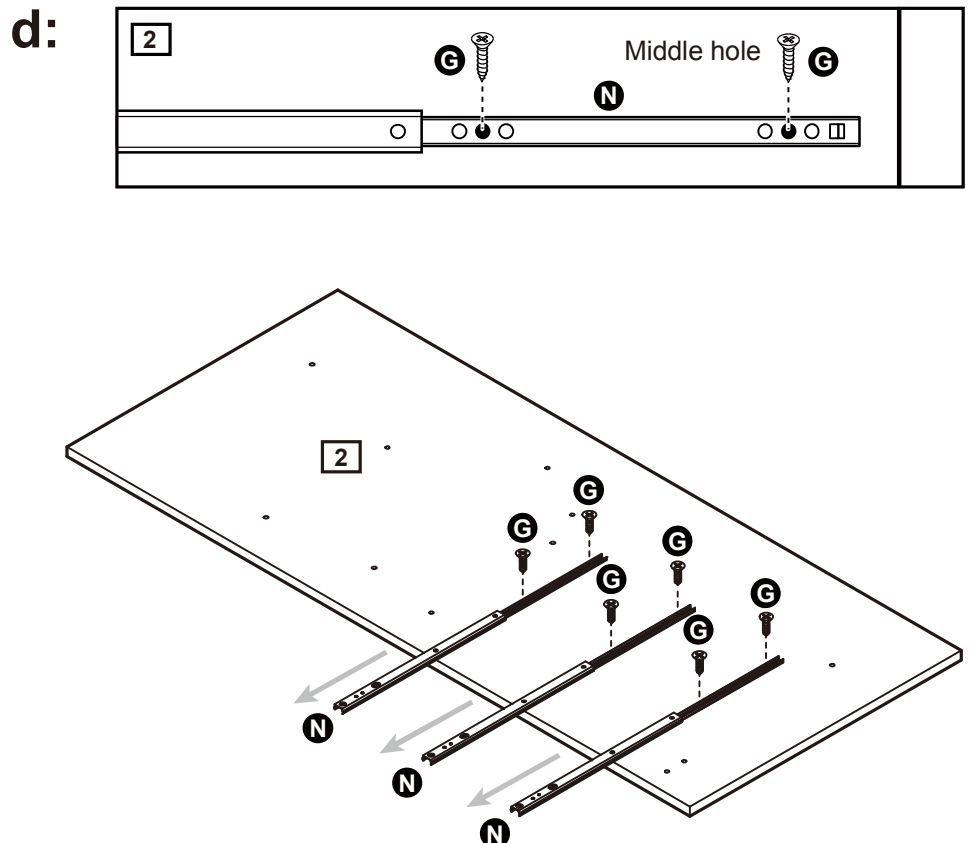
Slide top of the Runners **N** back.

Use screws **G** to fix the Runners **N** on the Centre left side panel **2**.

Note: The front part of the runner should be approximately 1.7cm from the front edge of the panel.



d: Slide top of Runners **N** forward and fix as shown using Screws **G**.



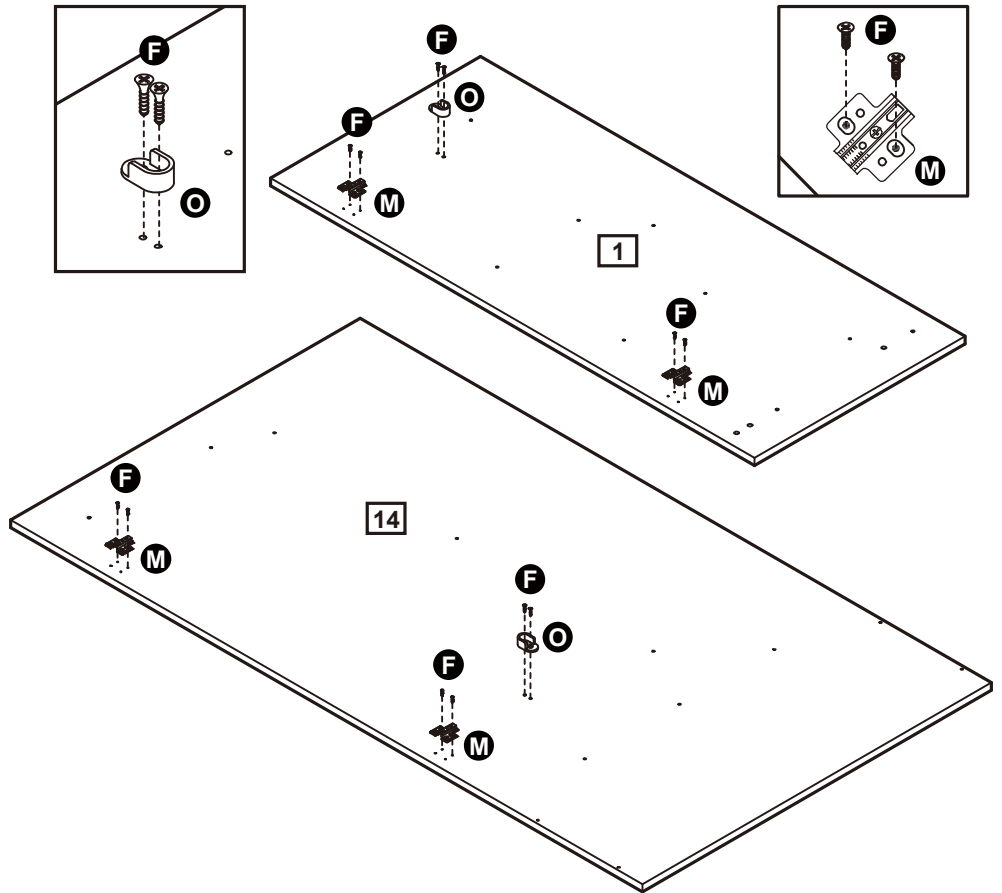
Assembly Instructions

Step 2

Fitting the shelves

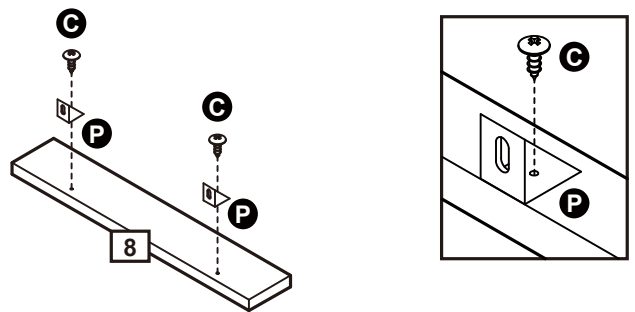
Use Screws **F** to fix the Rail support **O** and Door hinges **M** 'back plates' onto the Centre right side panel **1** and Right side panel **14**.

a:



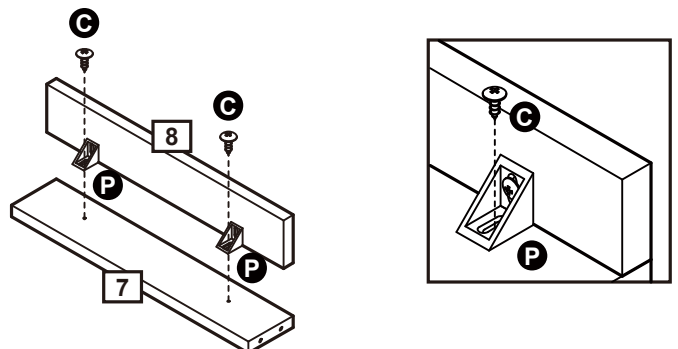
a: Use Screws **C** to fix Plastic supports **P** onto the Center front support **8**.

b:



c: Use Screws **C** to fix Center front support **8** onto the Center bottom panel **7**.

c:



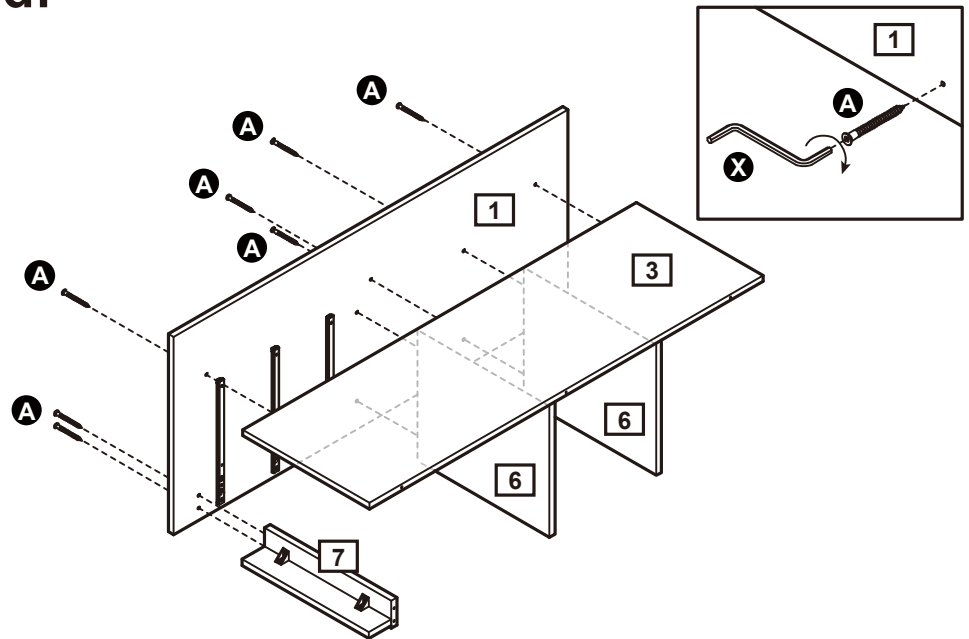
Continued on next page.

Assembly Instructions

Step 2 - continued

d: Fasten Screws(9 pcs) **A** by Allen key **X** to fix Centre right side panel **1** onto the Centre back panel **3**, Centre shelves **6** and Centre bottom panel **7**.

d:

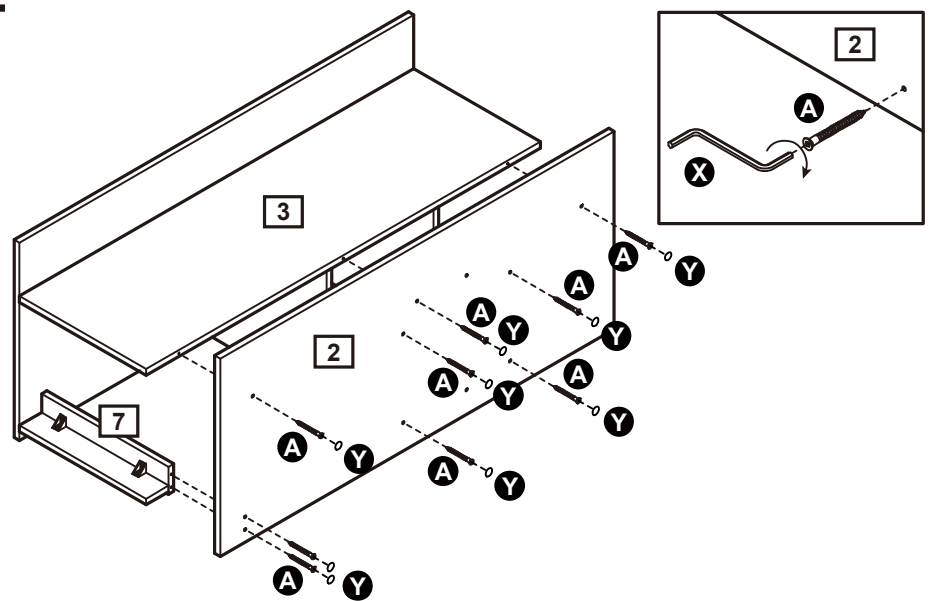


e: Position Centre left side panel **2** onto the unit.

Fasten Screws(9 pcs) **A** by Allen key **X**.

Use Screw covers(9 pcs) **Y** to cover the screw heads.

e:

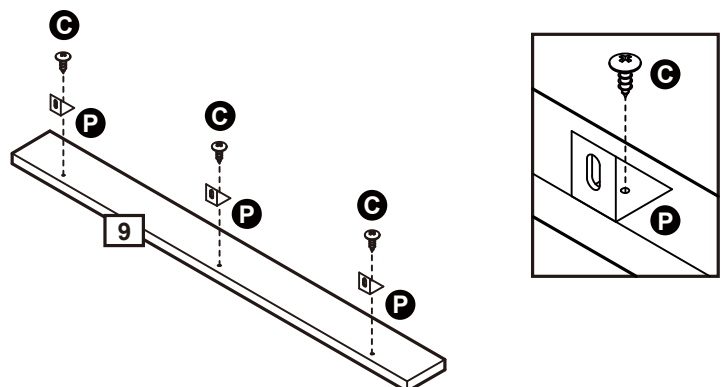


Step 3

Fitting the right front support

a: Use Screws **C** to fix Plastic supports **P** onto the Right front support **9**.

a:



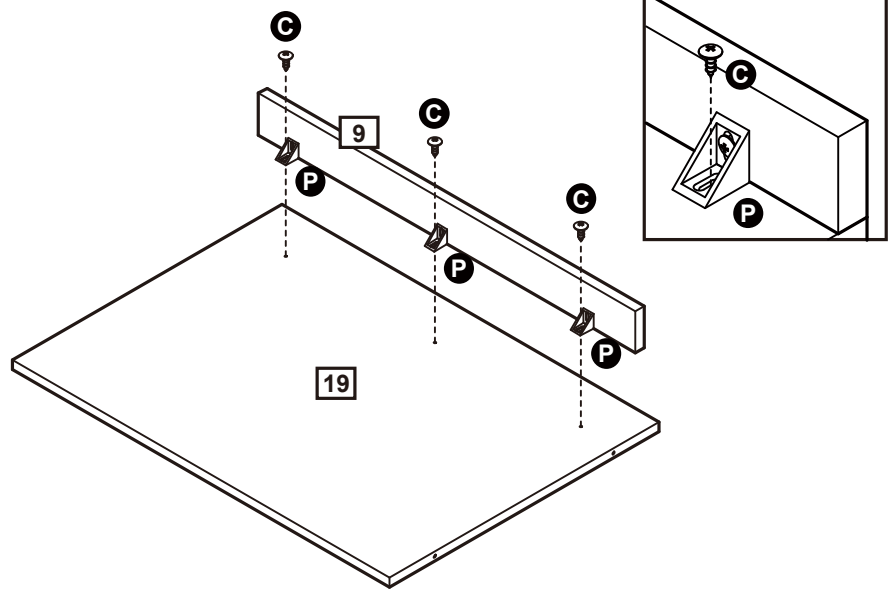
Continued on next page.

Assembly Instructions

Step 3 - continued

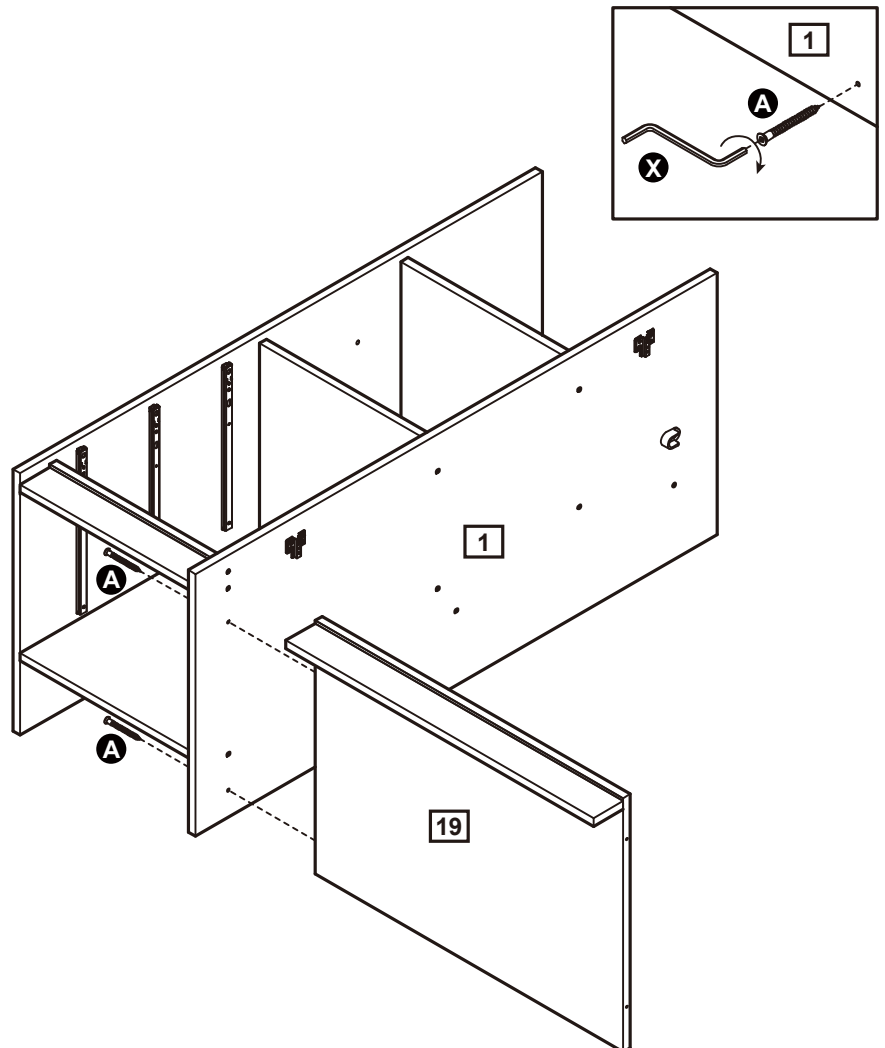
b: Use Screws **C** to fix Right front support **9** onto the Right bottom panel **19**.

b:



c: Use Screws **A** by Allen key **X** to fix Right bottom panel **19** onto the unit.

c:



Assembly Instructions

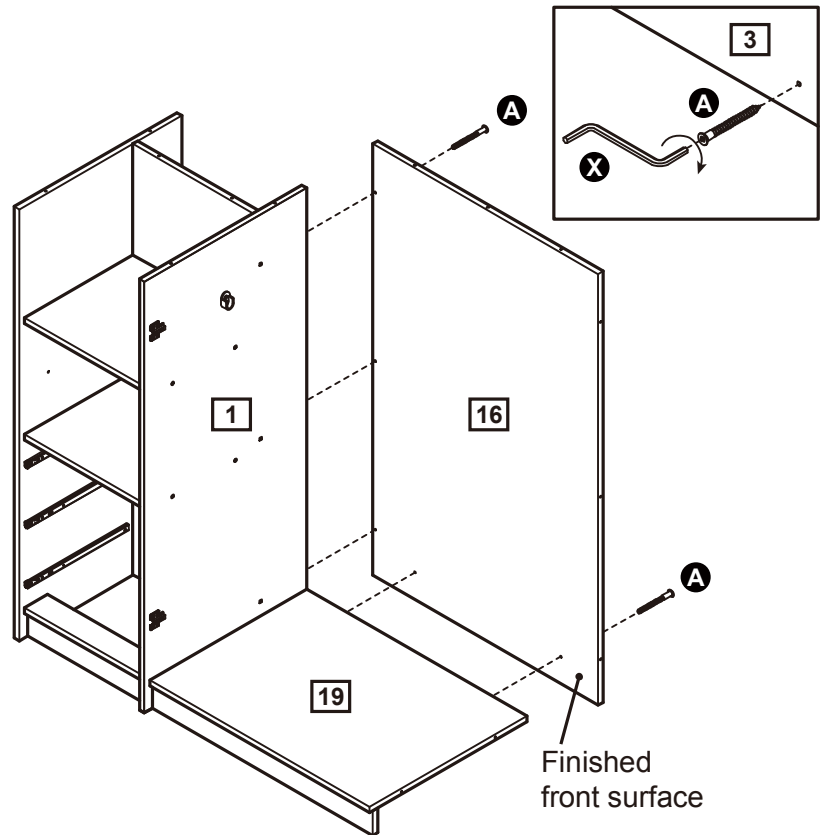
Step 4

Fitting the wardrobe

Note: It would be useful to ask someone to help you at this stage.

a: Use Screws(5 pcs) **A** by Allen key **X** to fix the Right back panel **16** onto the unit.

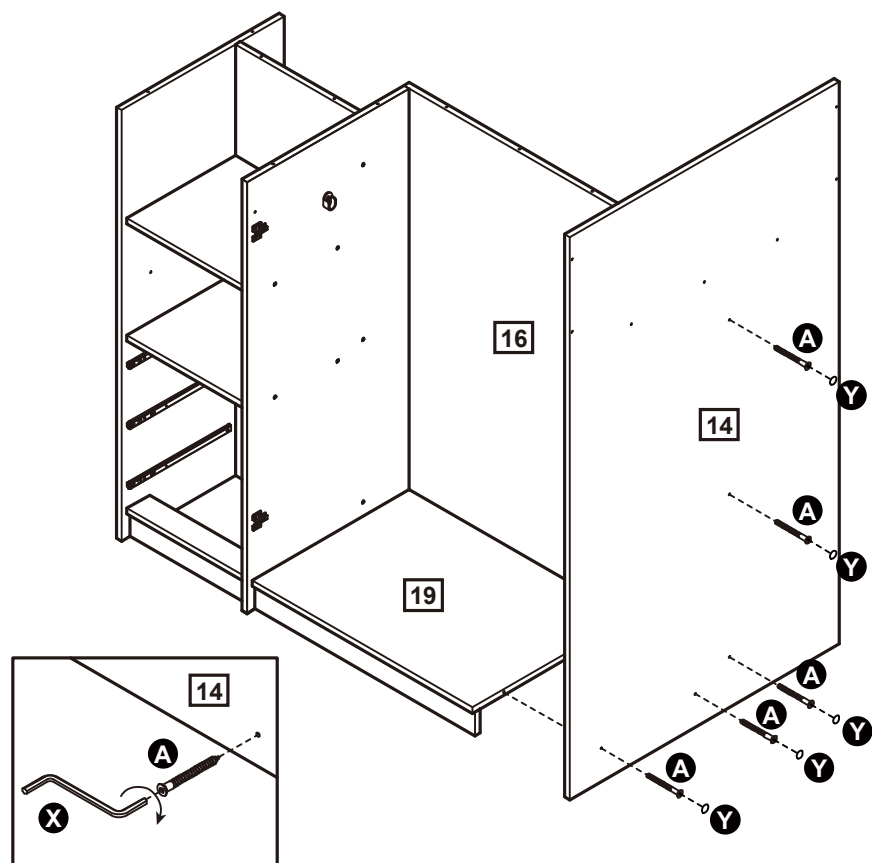
a:



b: Use Screws(5 pcs) **A** by Allen key **X** to fix the Right side panel **14** onto the unit.

Use Screw covers(5 pcs) **Y** to cover the screw heads.

b:



Assembly Instructions

Step 5

Fitting the left shelves

a: Use Screws **C** to fix Plastic supports **P** onto the Left front support **10**.

b: Use Screws **C** to fix Left front support **10** onto the Left bottom panel **20**.

c: Use Screws **A** by Allen key **X** to fix the Left support panel **18** onto the Left shelf **21** and Left bottom panel **20**.

Use Screw covers (4 pcs) **Y** to cover the screw heads.

Insert Dowels **L** into the Left support panel **18**.

d: Screw Locking pins **I** into the Table top **5**.

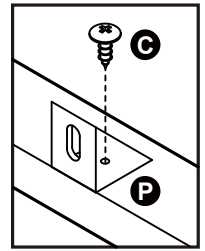
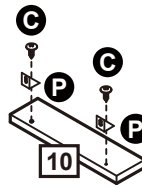
Note: Insert Locking pins as far as shown.
Do not over tighten.

e: Carefully locate the Table top **5** onto the unit.

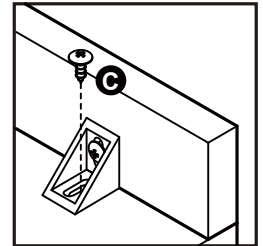
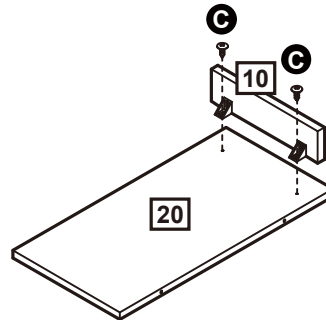
Insert 2 Locking nuts **K** into Left support panel **18**.

Use a screwdriver to turn Locking nuts **K** clockwise to lock.

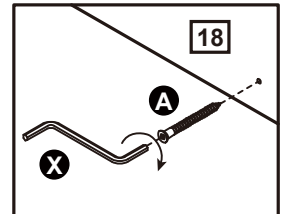
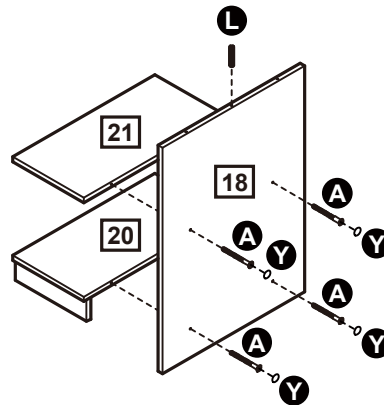
a:



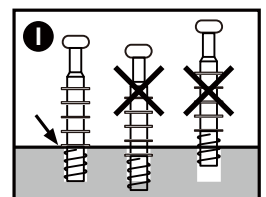
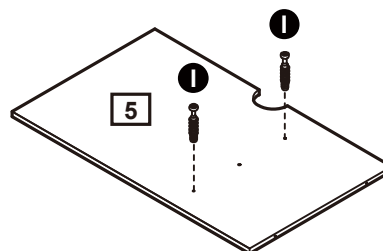
b:



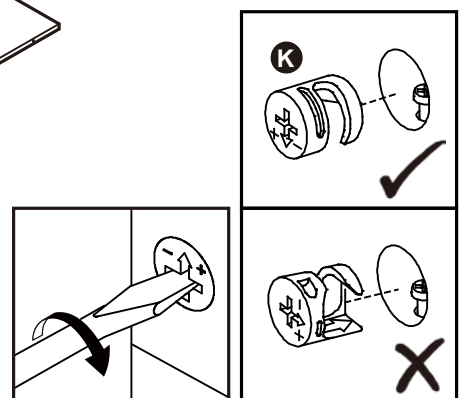
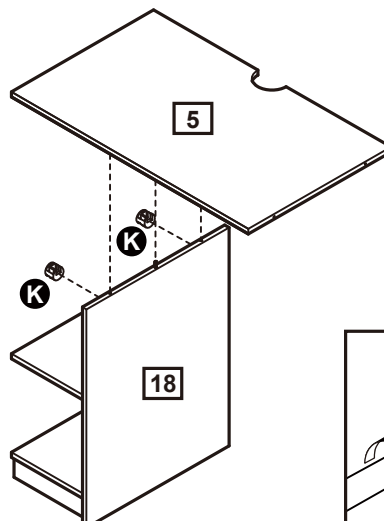
c:



d:



e:



Assembly Instructions

Step 6

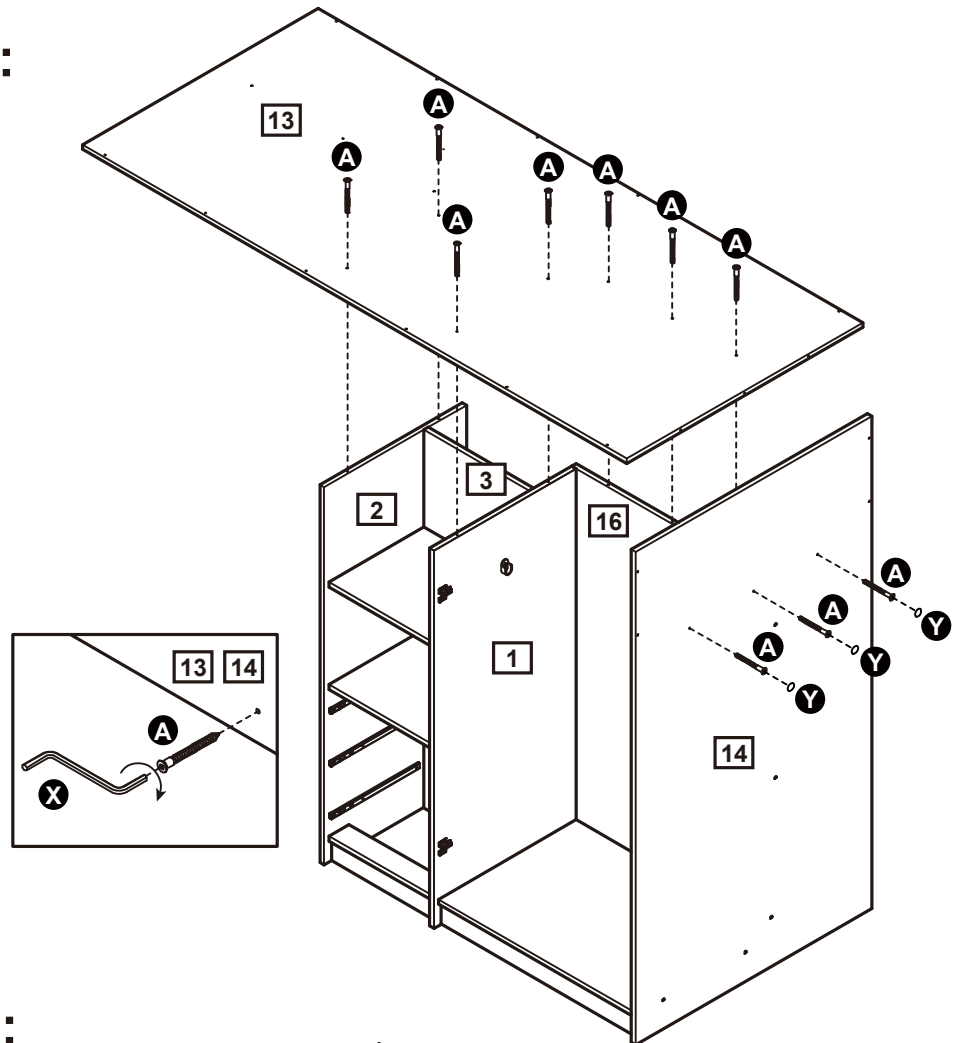
Fitting the bed panel

Note: It would be useful to ask someone to help you at this stage.

a: Use Screws (10 pcs) **A** by Allen key **X** to fix Bed panel **13** onto the unit.

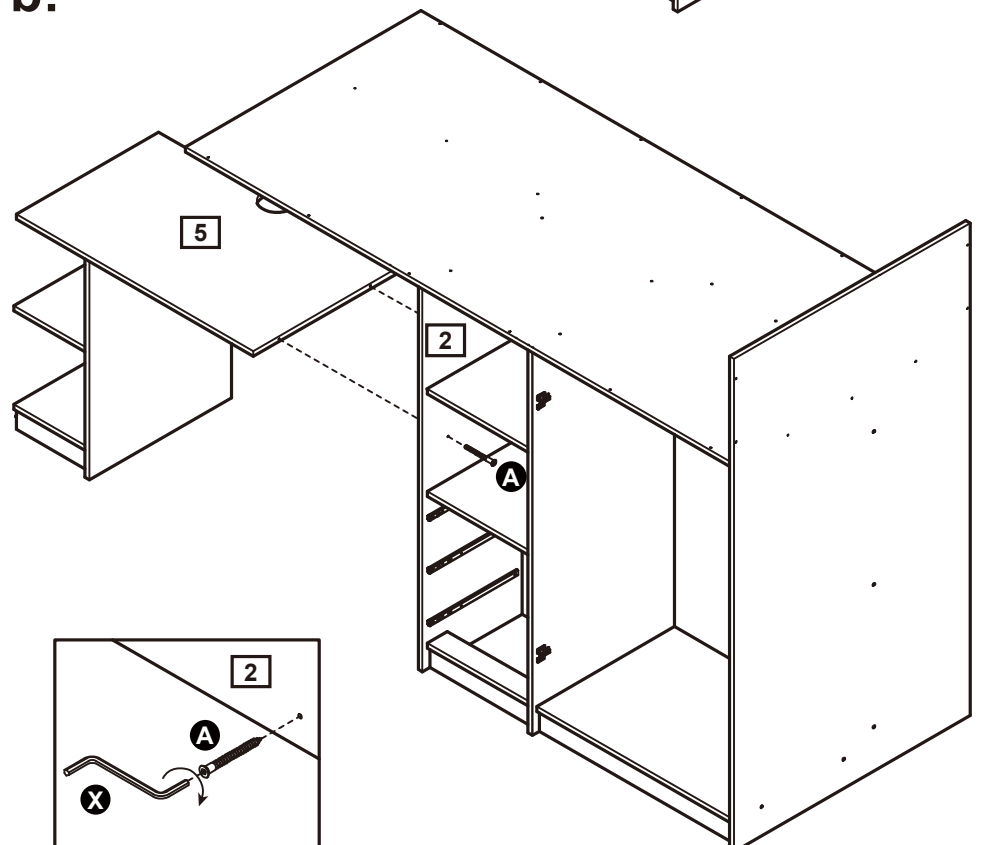
Use Screw covers (3 pcs) **Y** to cover the screw heads.

a:



b: Use Screws (2 pcs) **A** by Allen key **X** to fix the Table top **5** onto the unit.

b:



Assembly Instructions

Step 7

Fitting the left side panel

Note: It would be useful to ask someone to help you at this stage.

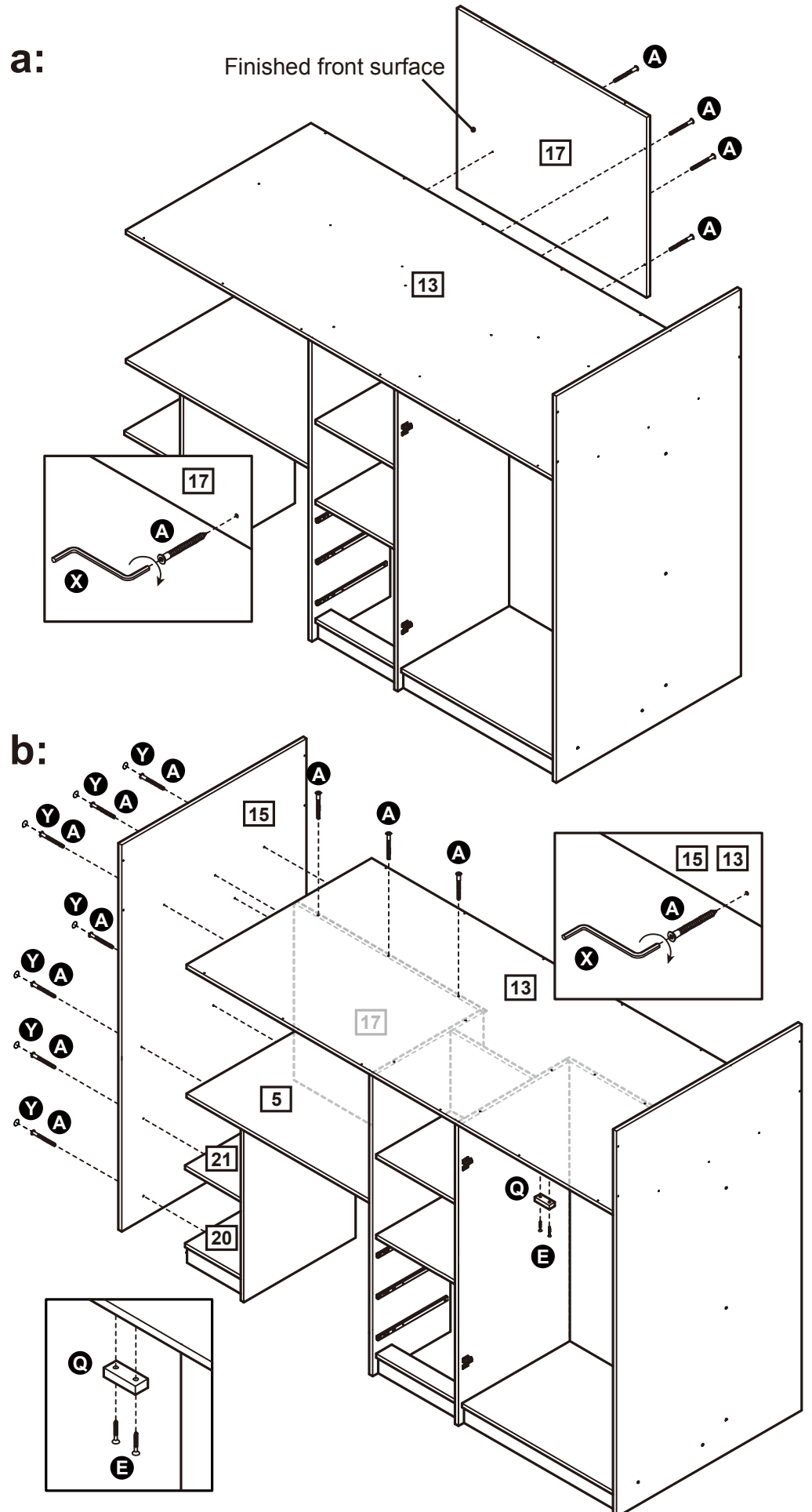
a: Use Screws (4 pcs) **A** by Allen key **X** to fix Left back panel **17** onto the unit.

b: Use Screws (11 pcs) **A** by Allen key **X** to fix Left side panel **15** onto the unit.

Use Screw covers (11 pcs) **Y** to cover the screw heads.

Use Screws (3 pcs) **A** by Allen key **X** to fix Bed panel **13** to Left back panel **17**.

Use Screws **E** to fix the Door stoppers **Q** onto the Bed panel **13**.



Assembly Instructions

Step 8

Fitting the bed frames

Note: It would be useful to ask someone to help you at this stage.

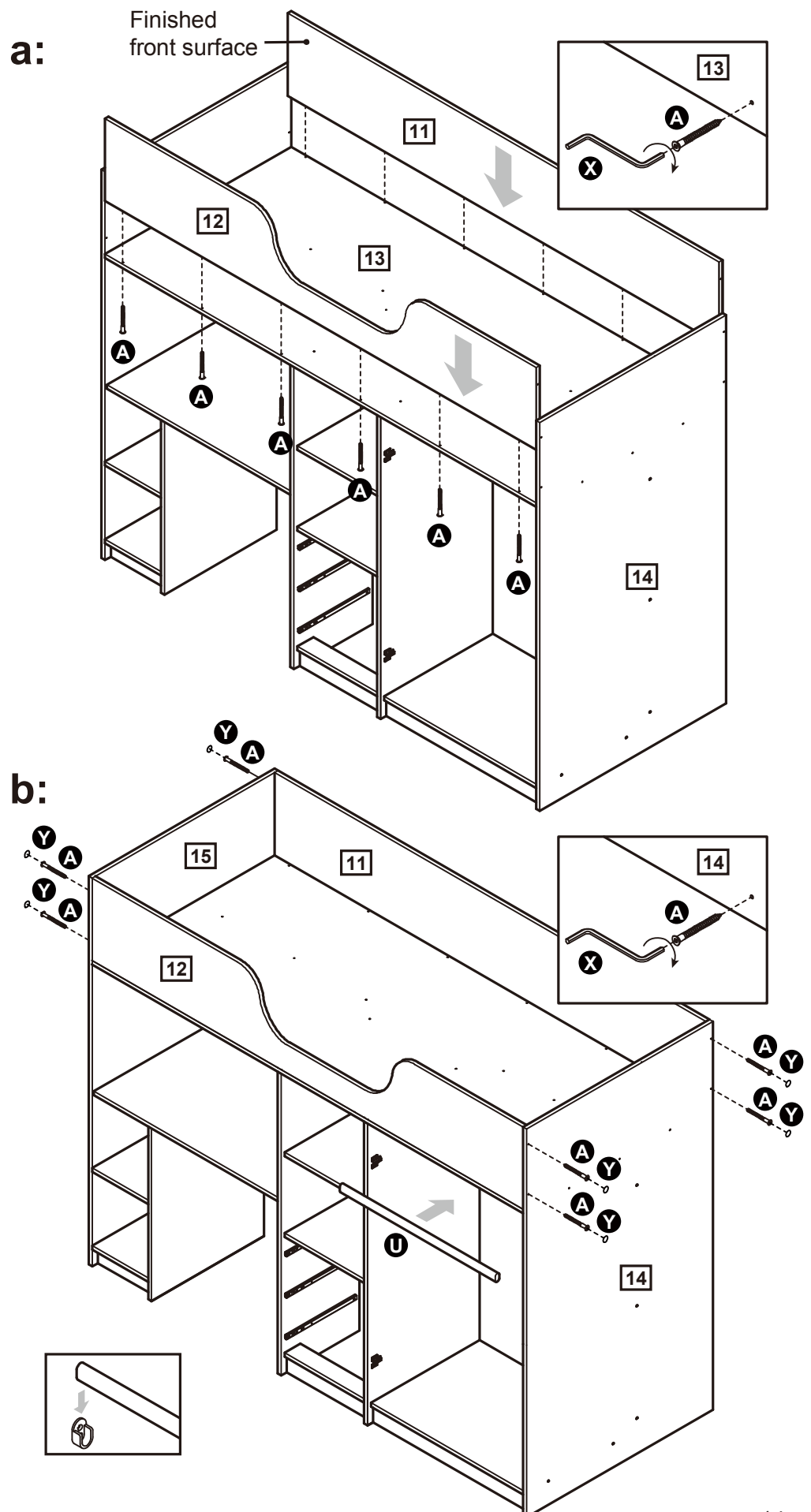
Always check the direction of Front bed frame **12** before fixing the board. (longer side: 83.2 cm, shorter side: 68.4 cm)

a: Use Screws(12 pcs) **A** by Allen key **X** to fix Front bed frame **12** and Bed frame **11** onto the unit.

b: Use Screws(8 pcs) **A** by Allen key **X** to fix Front bed frame **12** and Bed frame **11** onto the Left side panel **15** and Right side panel **14**.

Use Screw covers(8 pcs) **Y** to cover the screw heads.

Place the Clothes rail **U** onto the unit.



Assembly Instructions

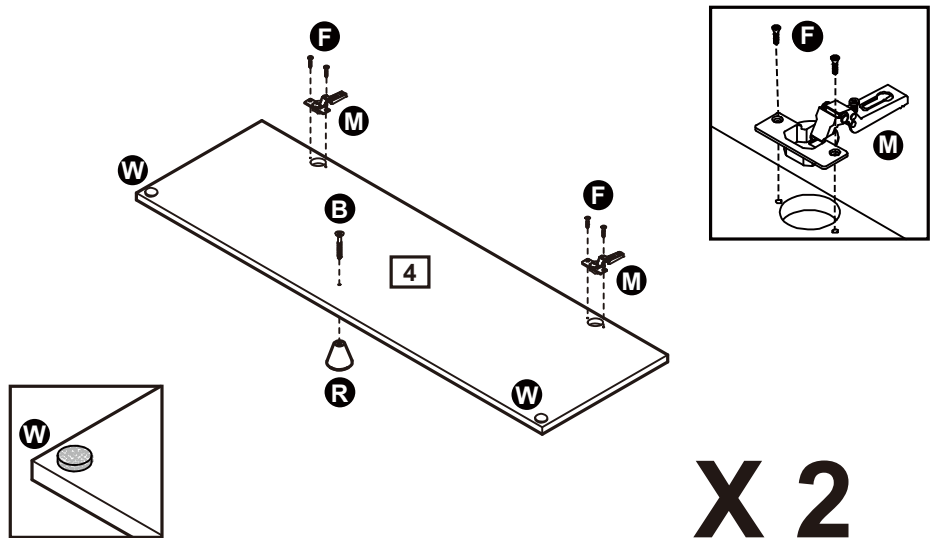
Step 9

Fitting the doors

Fix 2 Door hinges **M** to Door panel **4** using Screws **F**.

Use Screws **B** to fix Handle **R** onto the door.

Carefully stick the Door pad **W** onto the Door panel **4**.



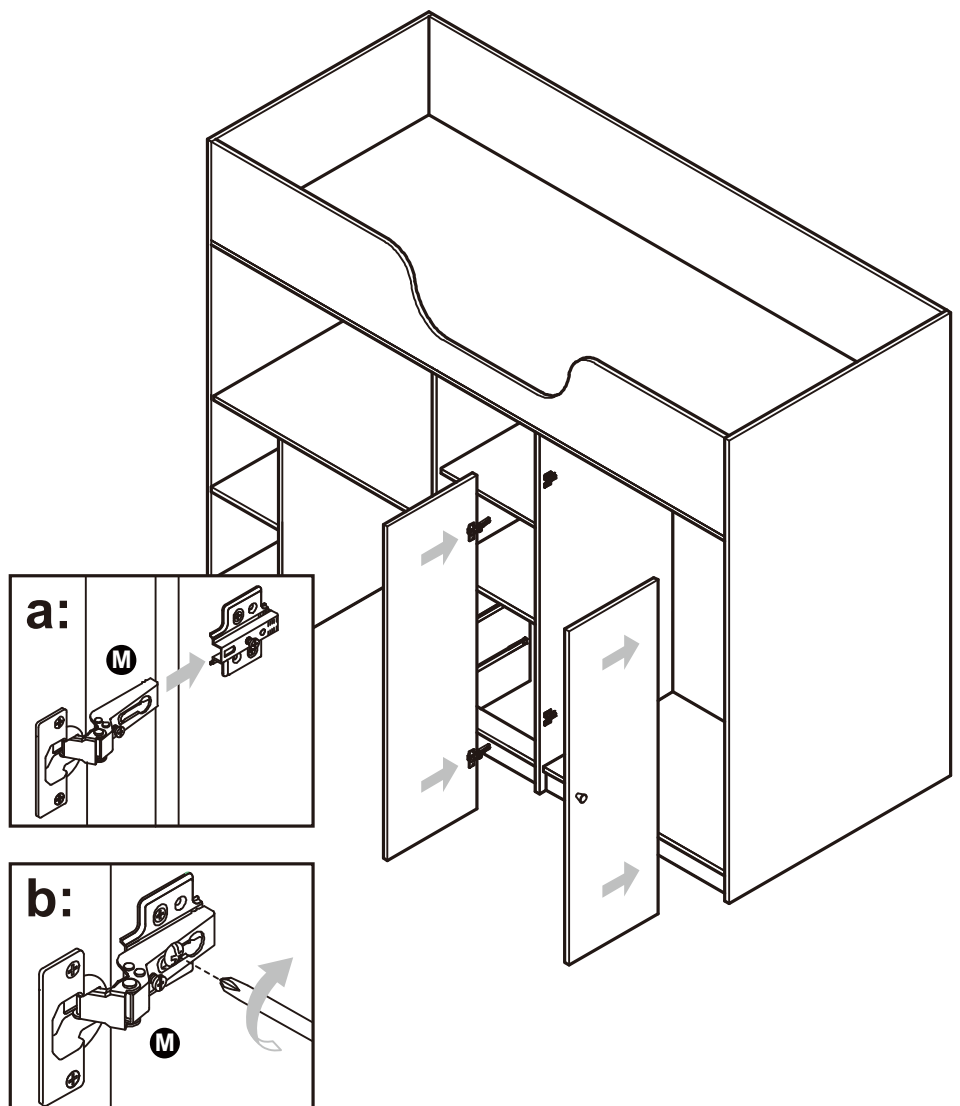
Step 10

a: With help, slot Door hinges **M** onto 'hinge plates'.

b: Tighten screw shown to lock hinges in position.

Repeat **a** and **b** for opposite door.

See 'Hinge adjustment' in step 11 if the doors need adjustng.



Assembly Instructions

Step 11

Hinge adjustment

a: To move doors up or down: loosen screws shown and move doors to suit.

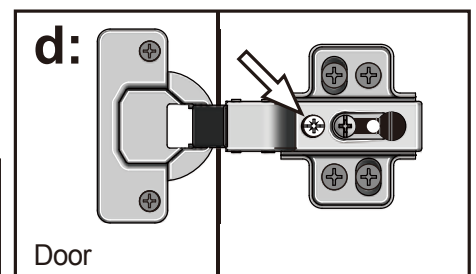
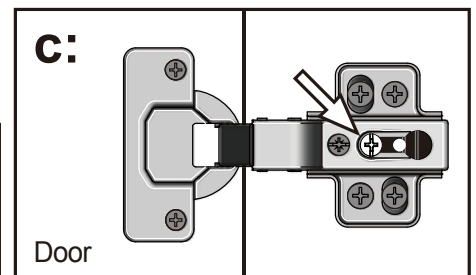
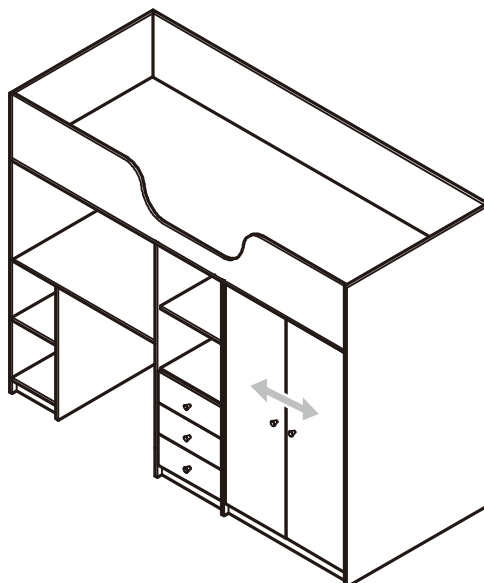
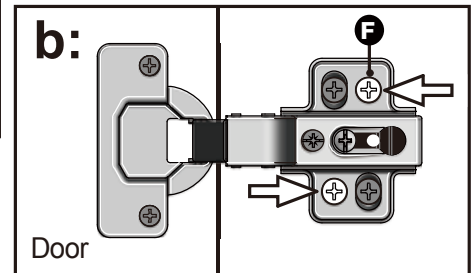
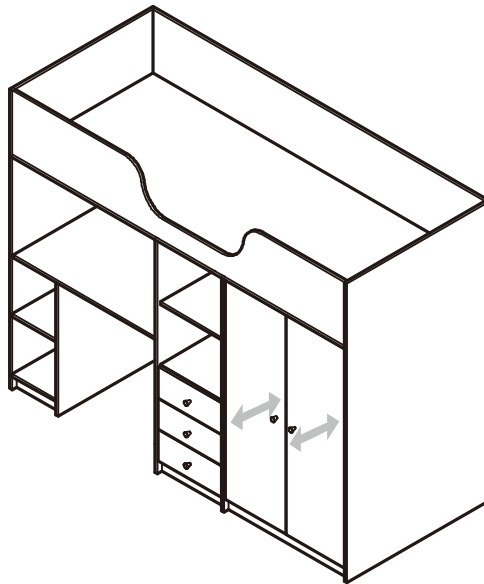
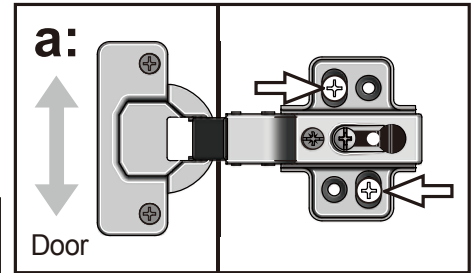
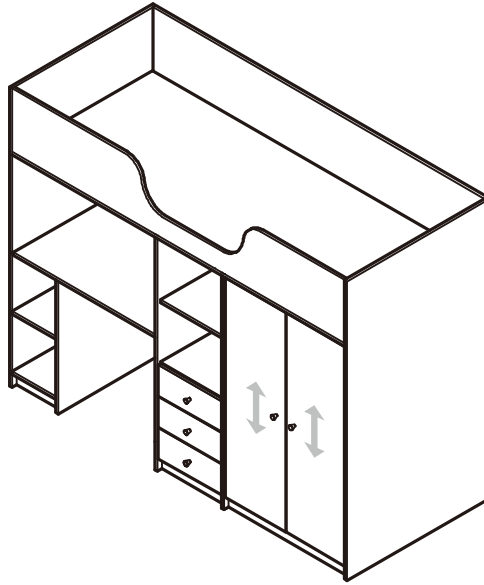
b: Once doors are aligned, re-tighten and insert 2 Screws **F** into 'hinge plates'.

c: To move doors in or out: loosen screw shown and move doors to suit.

Re-tighten screws.

d: To move doors left or right: loosen screw shown and move doors to suit.

Re-tighten screws.



Assembly Instructions

Step 12

Drawer assembly

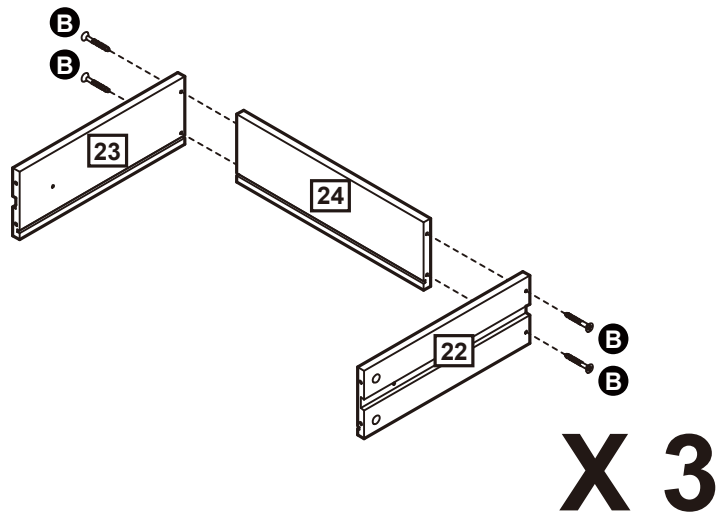


Caution: Always check the assembly method is correct before applying glue.

Note: It would be useful to ask someone to help you at this stage.

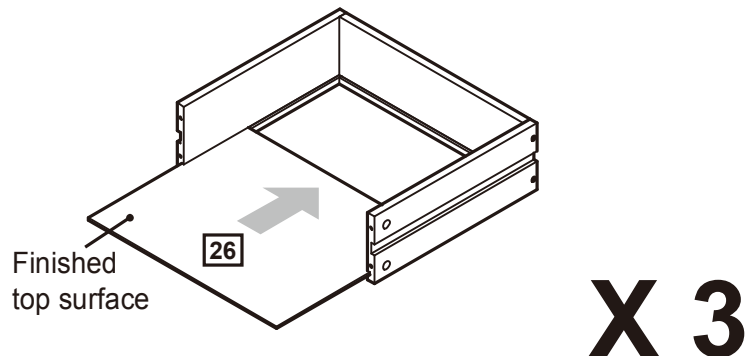
a: Use Screws **B** to fix the Drawer right side panel **22** and Drawer left side panel **23** onto Drawer back panel **24**.

a:



b: Slide Drawer bottom panel **26** into the grooves.

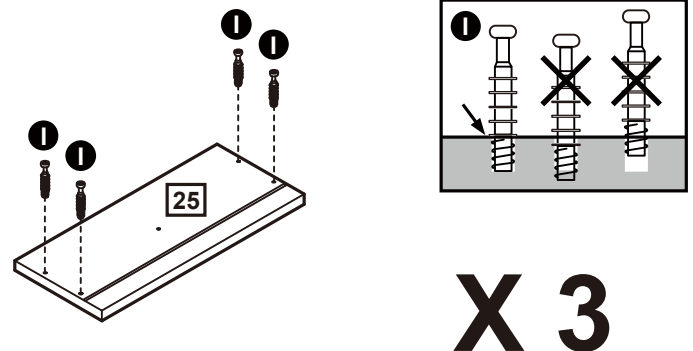
b:



c: Screw Locking pins **I** into the Drawer front panel **25**.

Note: Insert Locking pins as far as shown.
Do not over tighten.

c:



Assembly Instructions

Step 12 - continued

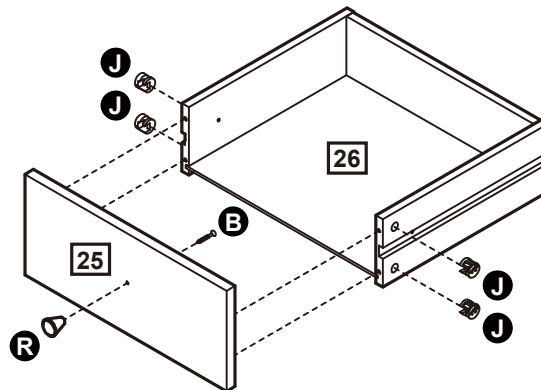
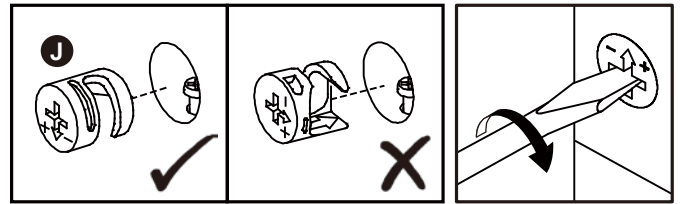
d: Use Screw **B** to fix the Handle **R** onto the Drawer front panel **25**.

Carefully locate the Drawer front panel **25** onto the unit.

Insert 4 Locking nuts **J** into the unit.

Use a screwdriver to turn Locking nuts **J** clockwise to lock.

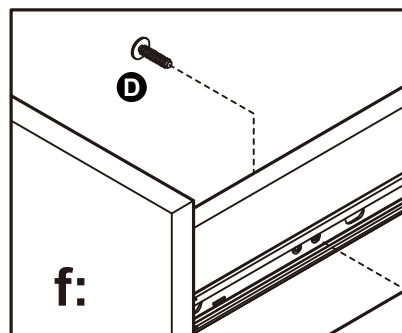
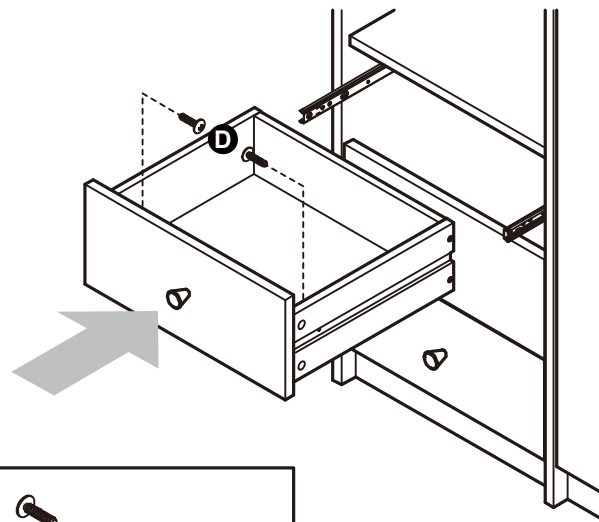
d:



X 3

e: Pull runners out. Slide drawers onto runners so they butt up against back of drawer front.

e:



f:

X 3

f: Fix through drawer sides into runners using screws **D**.

Assembly Instructions

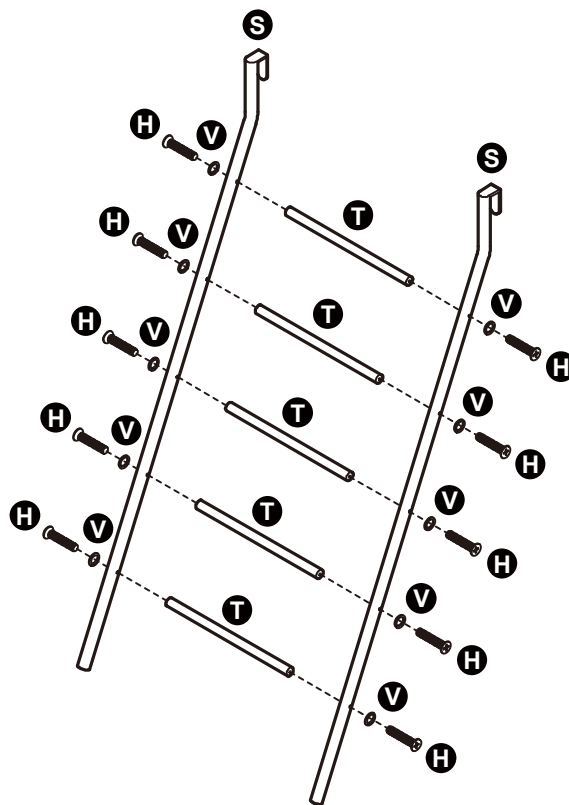
Step 13

Fitting the ladder

Note: It would be useful to ask someone to help you at this stage.

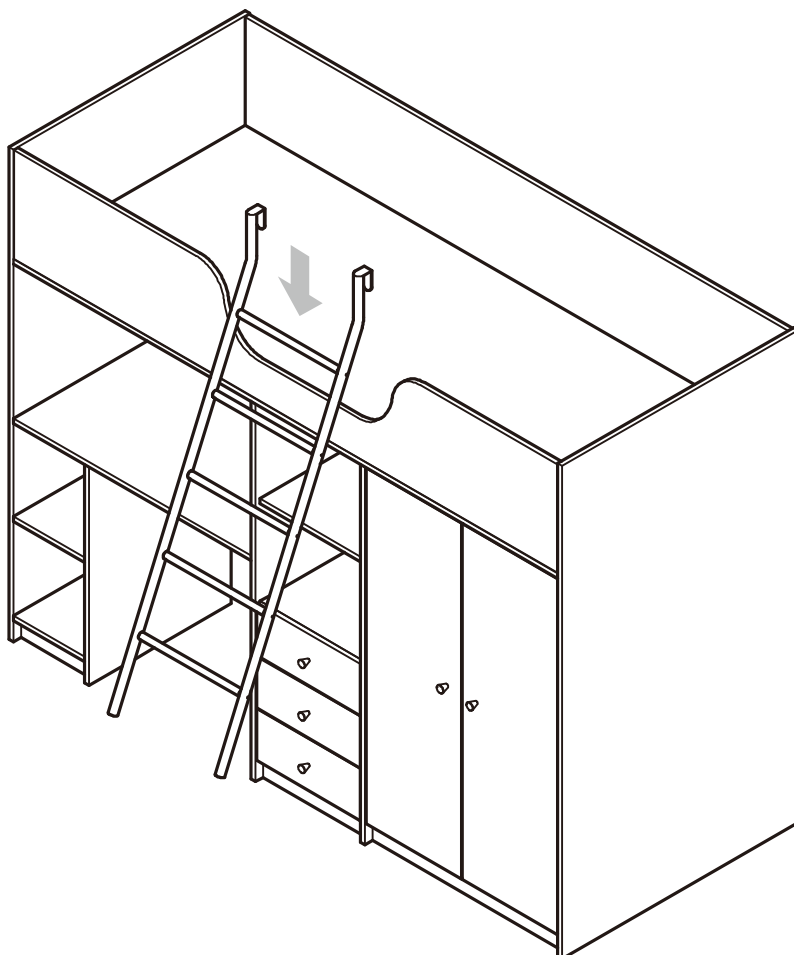
a: Use Screws **H** and Spring washers **V** to fix the Ladder steps **T** onto the Ladder posts **S**.

a:



b: Carefully place the ladder on the unit.

b:



Assembly Instructions

Step 14

Finishing the unit

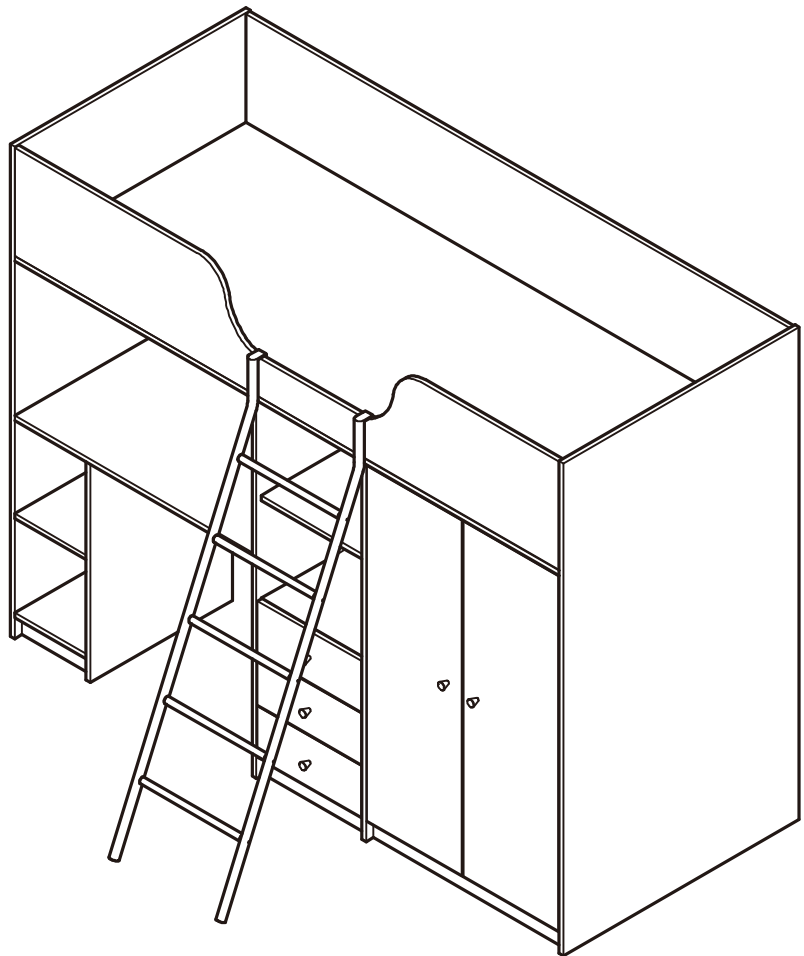
Note: It would be useful to ask someone to help you at this stage.

With help, place the unit in the intended position.



Warnung:

Be aware of the danger of young children under six years old falling from the upper bunk. Top bunk beds are not recommended for children under six years old. Complies BS EN 747-1 and BS EN 747-2:2012.



Assembly is complete.

If you need help or have damaged or missing parts, call the **Customer Helpline:**
Argos = 0345 6400800