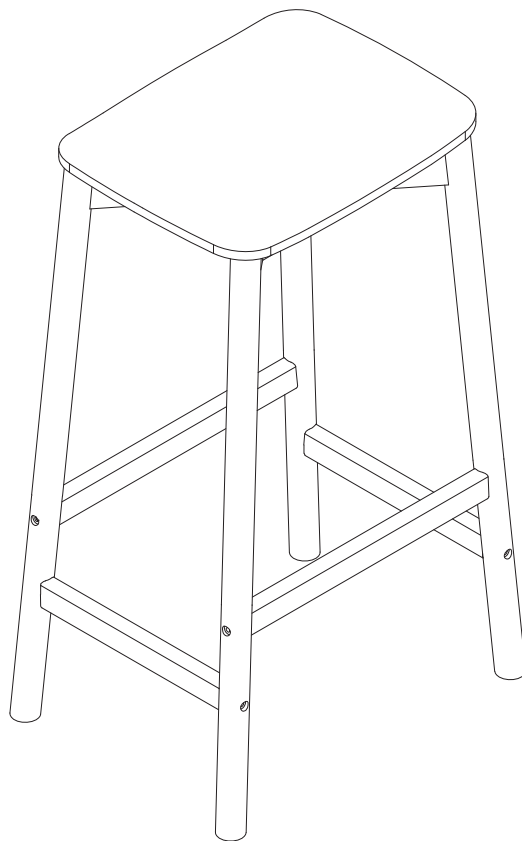


# Nina Barstool



## Spare Parts

 [www.argos-support.co.uk](http://www.argos-support.co.uk)

 [Help@ClickSpares.co.uk](mailto:Help@ClickSpares.co.uk)

 0370 112 1928

## Customer Support

 0345 640 2020



# Safety and Care Advice

---

## Product Details

Nina Barstool / 3633917

## IMPORTANT, RETAIN FOR FUTURE REFERENCE: READ CAREFULLY.

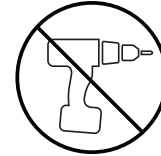
- Keep children and animals away from the work area, small parts could choke if swallowed.

- Make sure you have enough space to layout the parts before starting.

- This product has been constructed to be used in the domestic environment only and not for commercial purposes.

- Assemble the item as close to its final position (in the same room) as possible.

- Assemble on a soft level surface to avoid damaging the unit or your floor.



- We do not recommend the use of power drill/drivers for inserting screws as this could damage the unit. Only use hand screwdrivers.

- Parts of the assembly will be easier with 2 people.

- Dispose of all packaging carefully and responsibly.

## Care and maintenance

---

- Only clean using a damp cloth and mild detergent. Do not use abrasive cleaners.

- Use a dry cloth to clean the product, furniture polish is not recommended.

- From time to time check that there are no loose screws, nuts or bolts. If there are please re-tighten.

- This product should not be discarded with household waste. Take to your local authority waste disposal centre.

## Additional Guidance

---

- Assemble all parts and bolts loosely during assembly, only once the product is complete should you fully tighten the bolts.

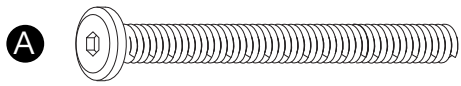
- Regularly check and ensure that all bolts and fittings are tightened properly.

- Maximum user weight 100kg

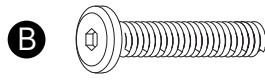
- This product is compliant EN12520

# Fittings (Shown to scale)

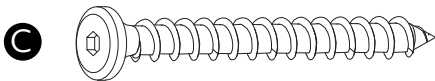
## Bag 1



M6x50mm Bolt x 4



M6x25mm Bolt x 8



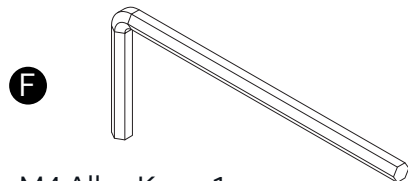
M6x50mm Screw x 8



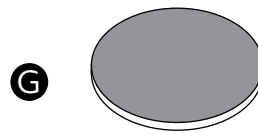
Spring Washer x 4



Flat Washer x 4



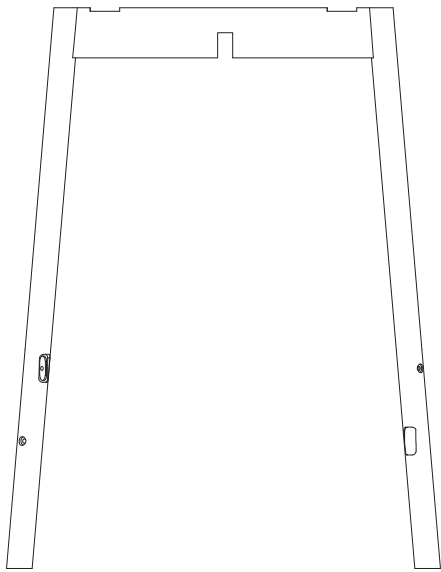
M4 Alley Key x 1



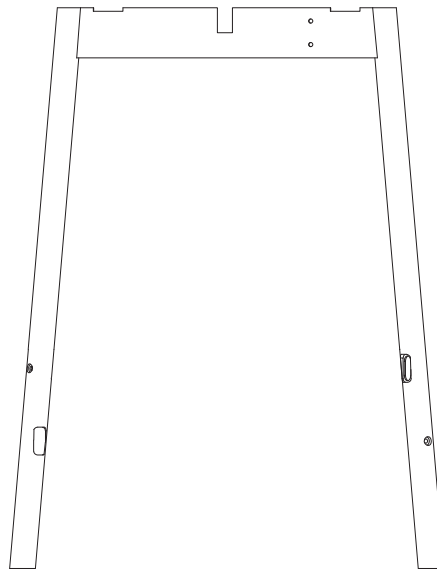
Ø25mm Felt pad x 4

# Parts

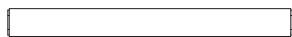
---



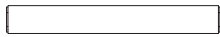
1 Up Leg Frame x 1  
(753 x 562mm)



2 Bottom Leg Frame x 1  
(753 x 562mm)



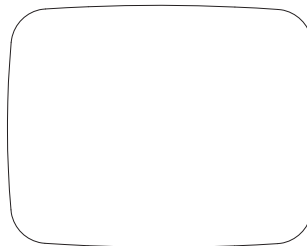
3 Support Rail x 2  
(362 x 38mm)



4 Support Rail x 2  
(285 x 38mm)

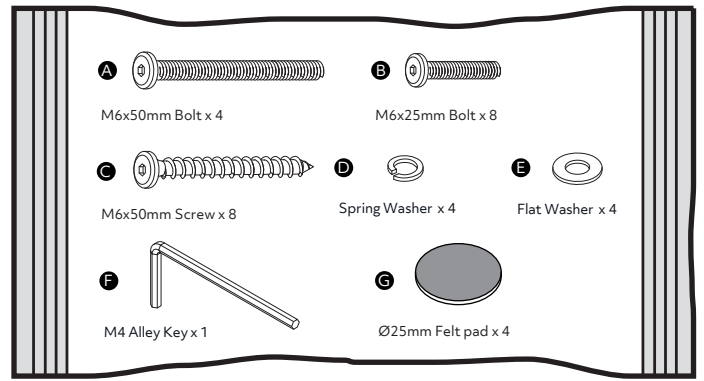
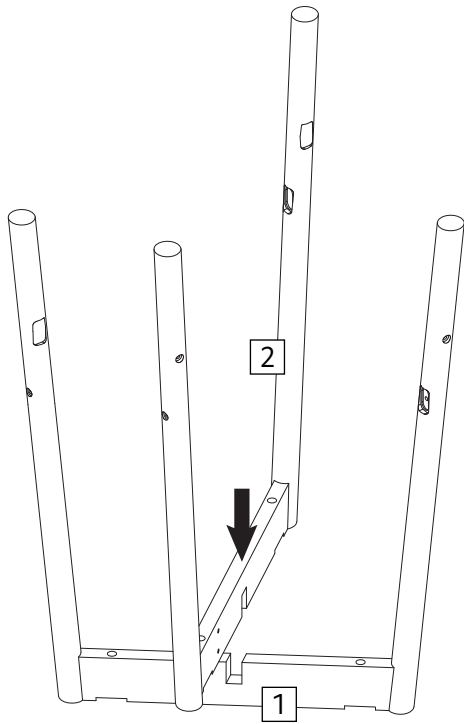


5 Support Rail x 2  
(195 x 50mm)

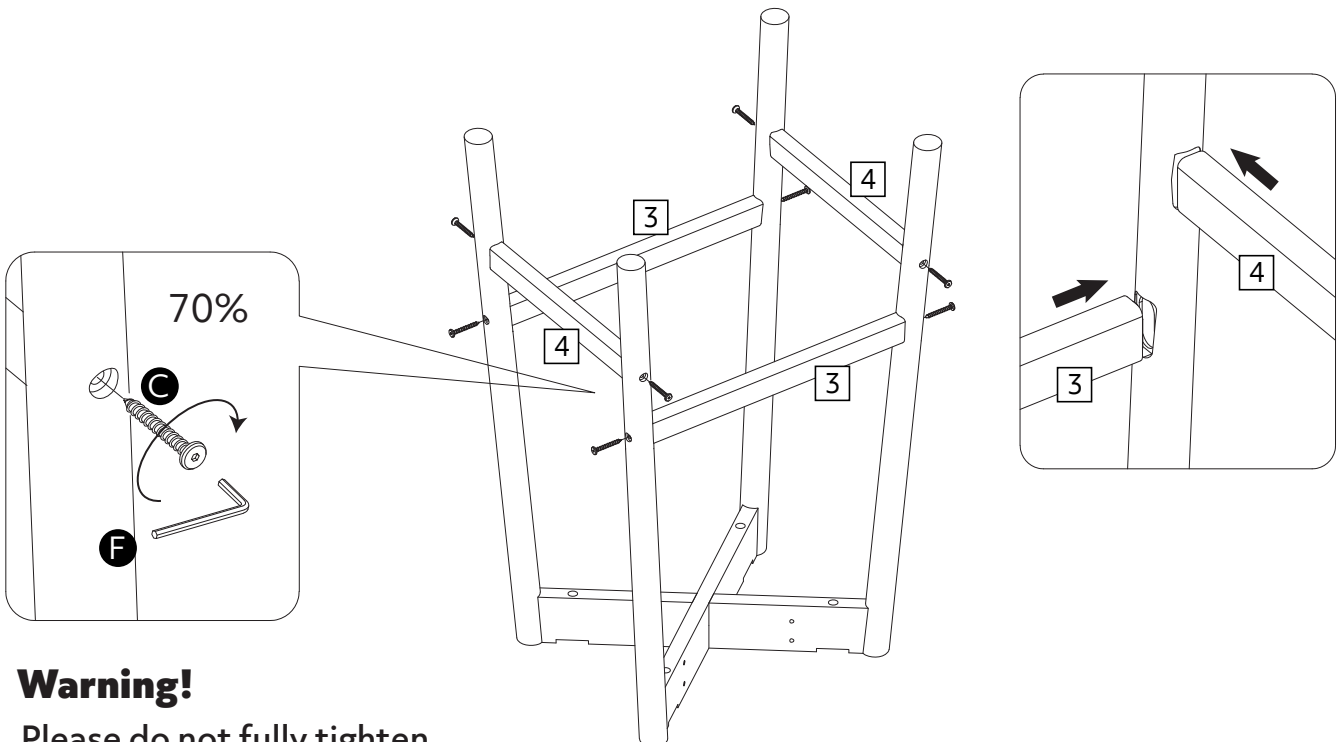
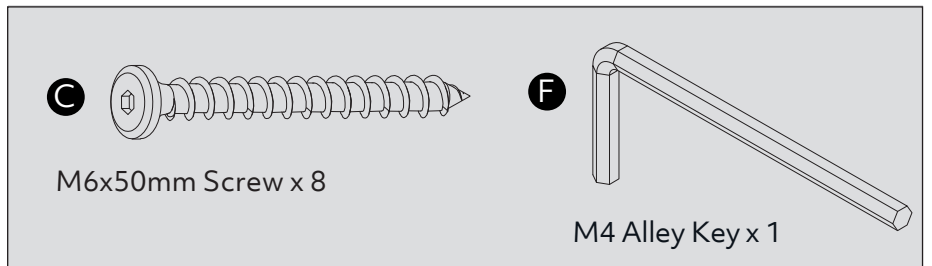


6 Seat x 1  
(420 x 330mm)

# 1



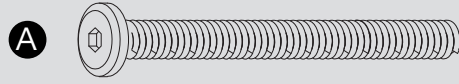
# 2



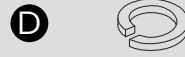
### Warning!

Please do not fully tighten the bolts in this step.

# 3



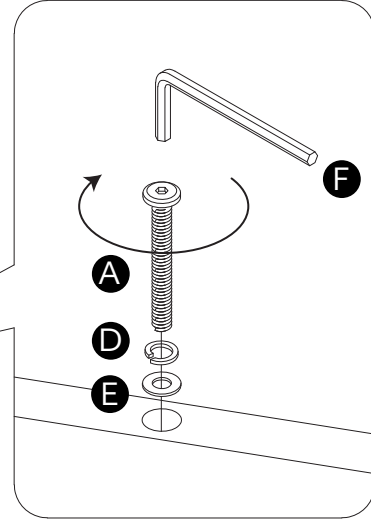
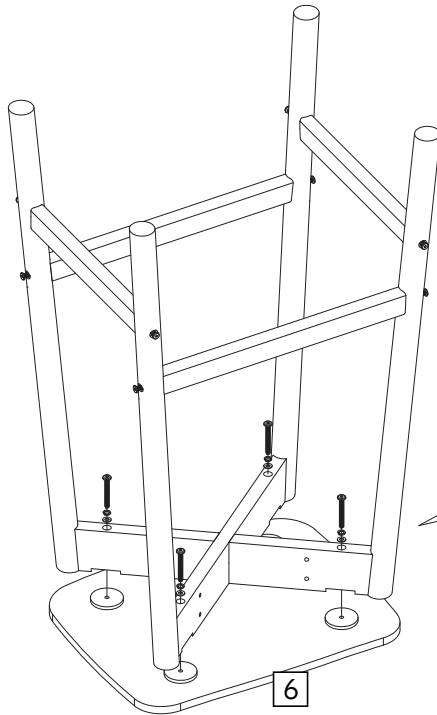
M6x50mm Bolt x 4



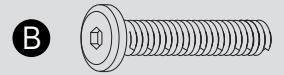
Spring Washer x 4



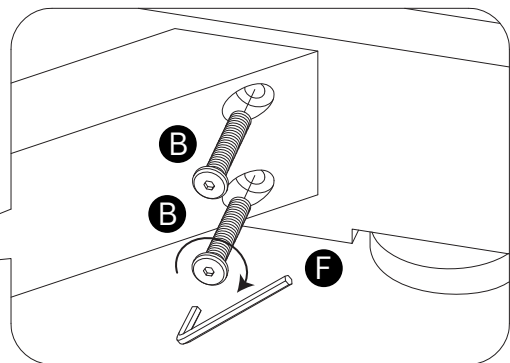
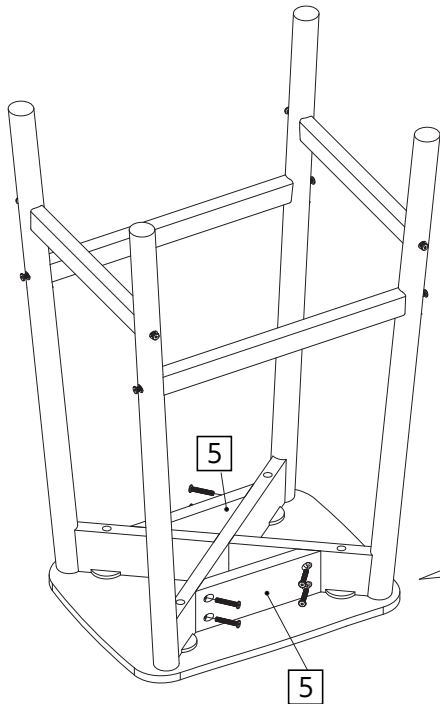
Flat Washer x 4



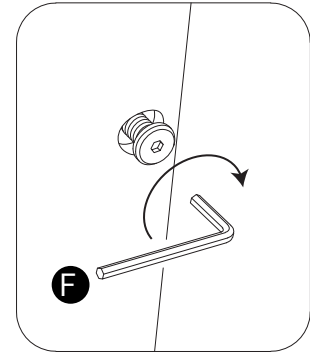
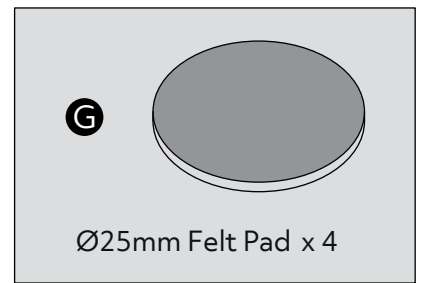
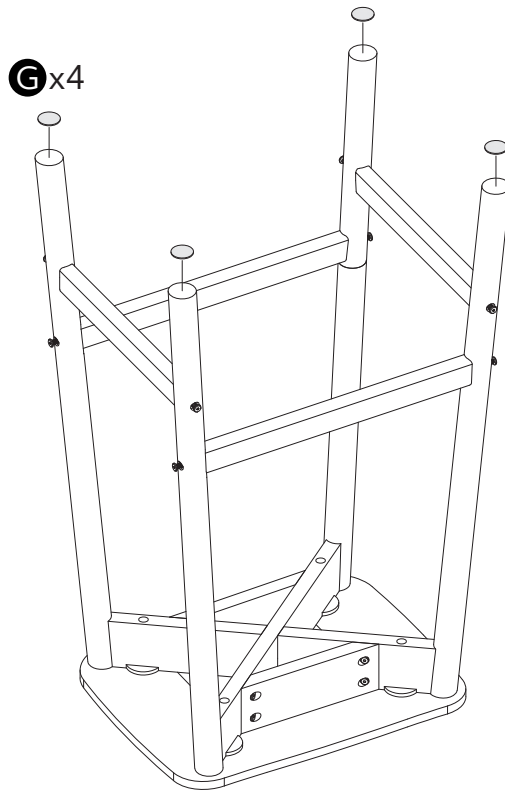
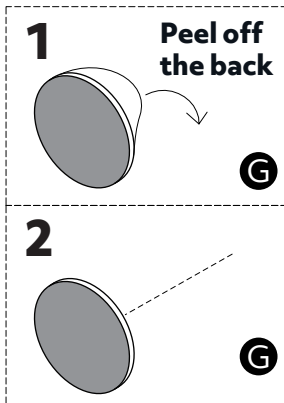
# 4



M6x25mm Bolt x 8



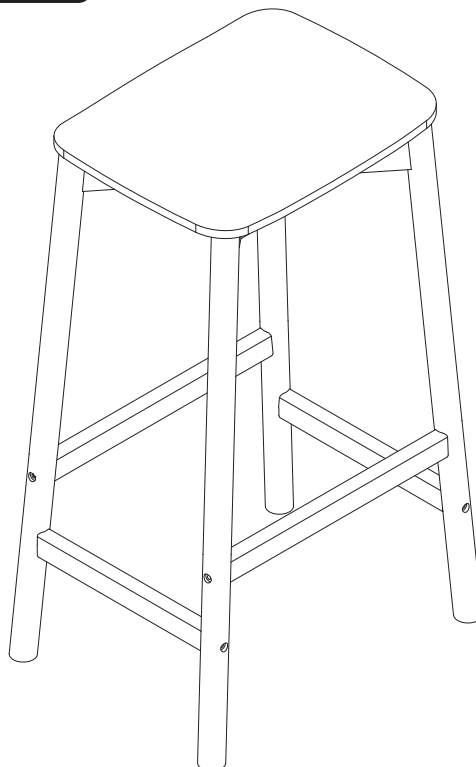
# 5



## Warning!

Please do fully tighten all the bolts and screws in this step.

# 6



Assembly is complete.