



GENERATION FUTURE

HOOVER

Steam

Express Handy

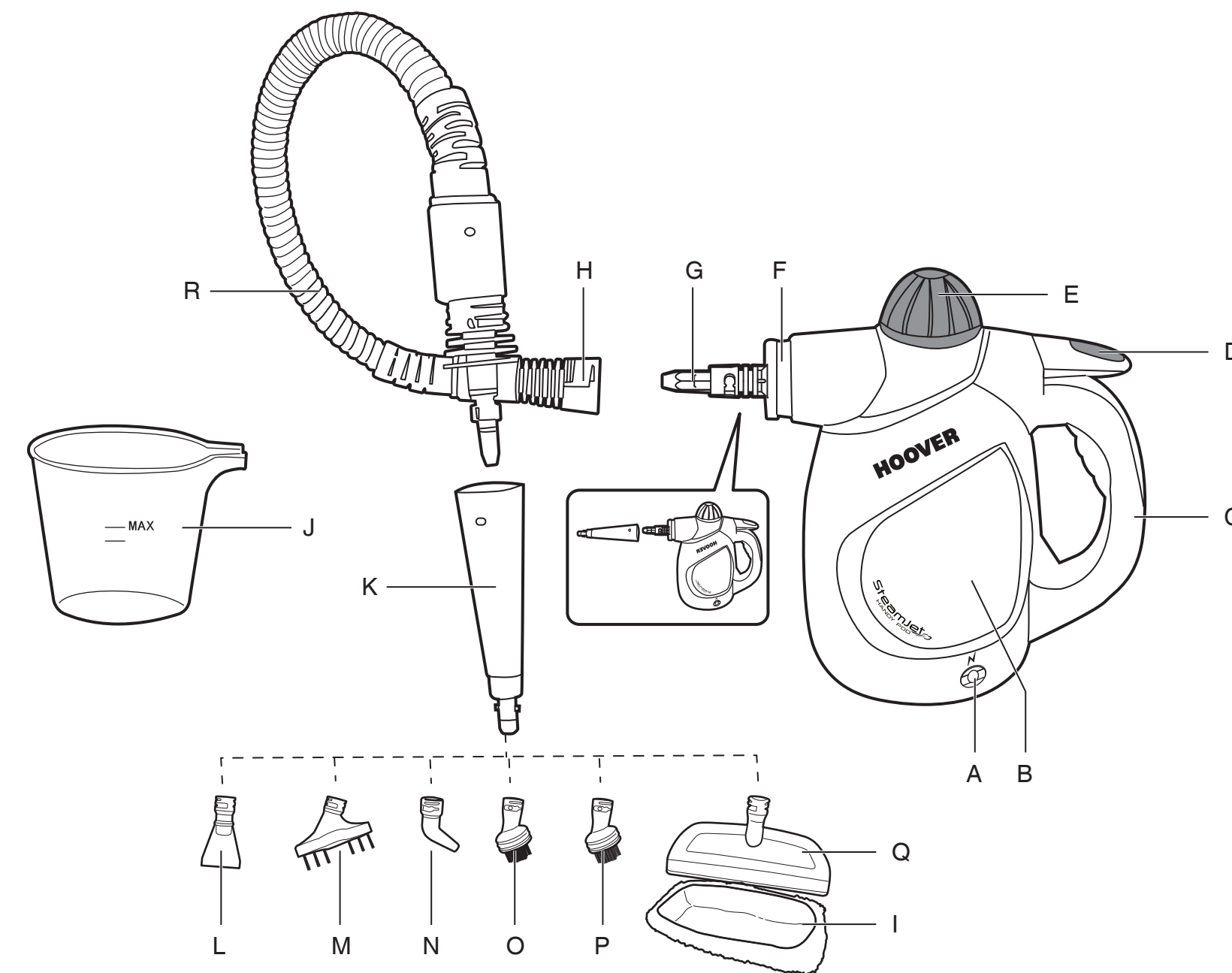
INSTRUCTION MANUAL

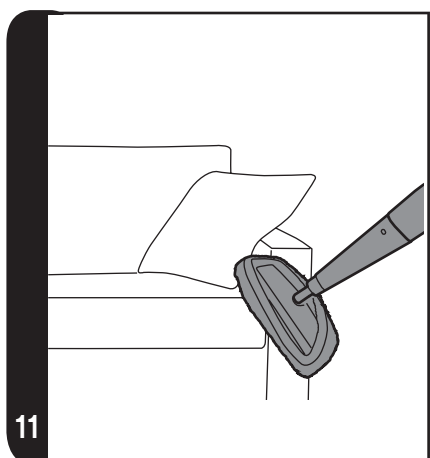
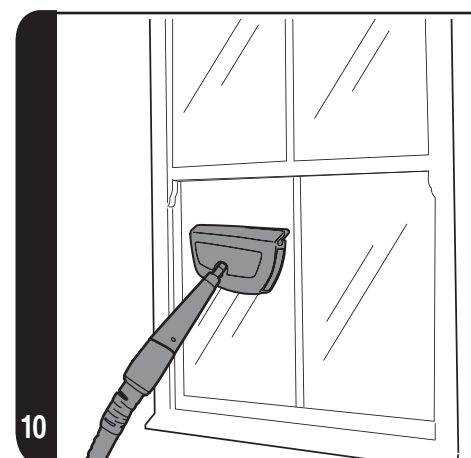
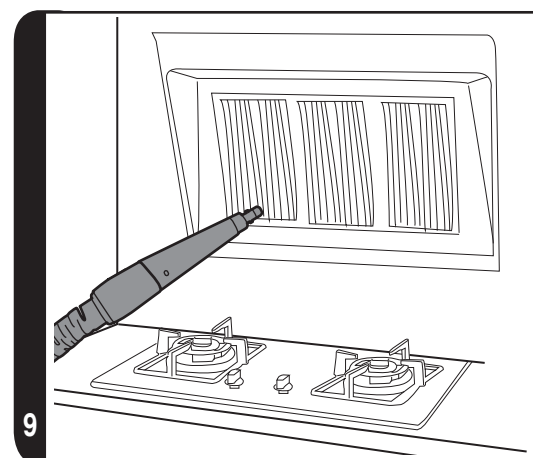
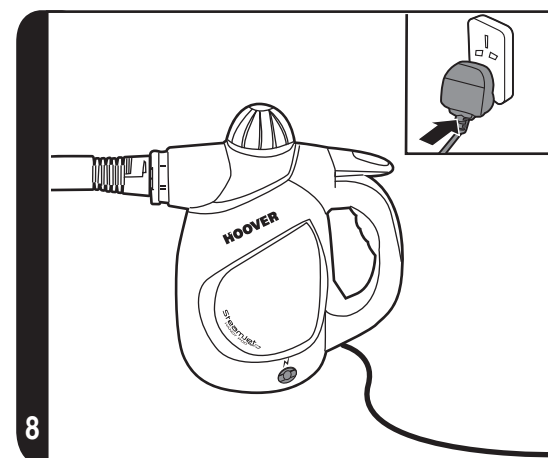
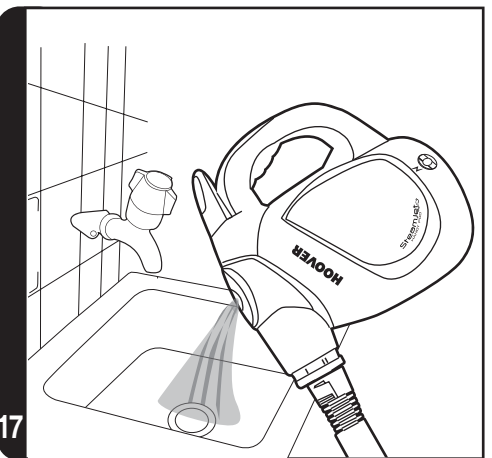
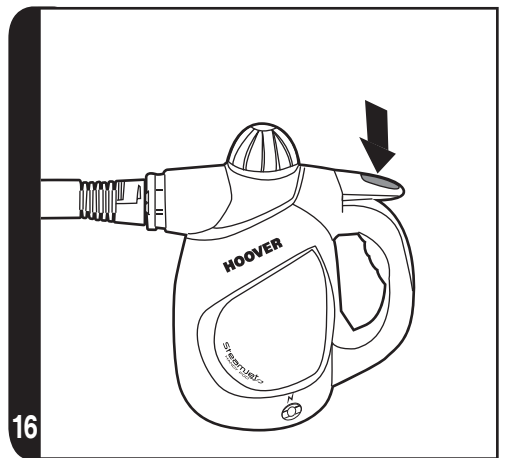
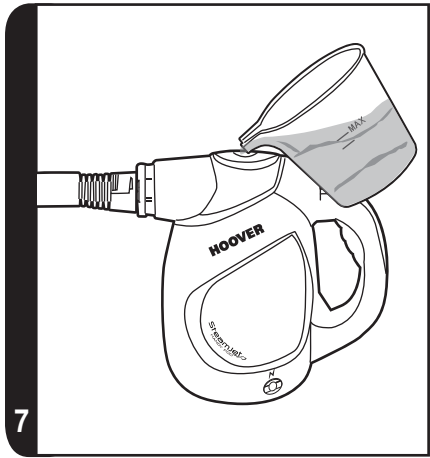
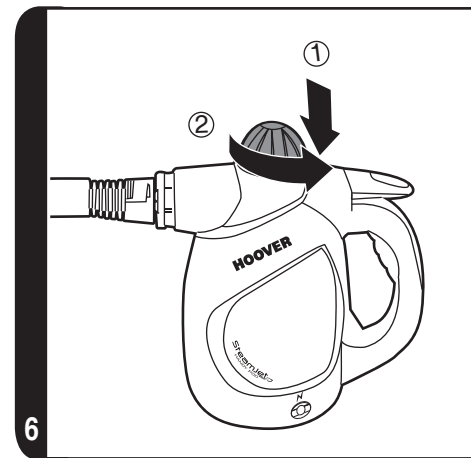
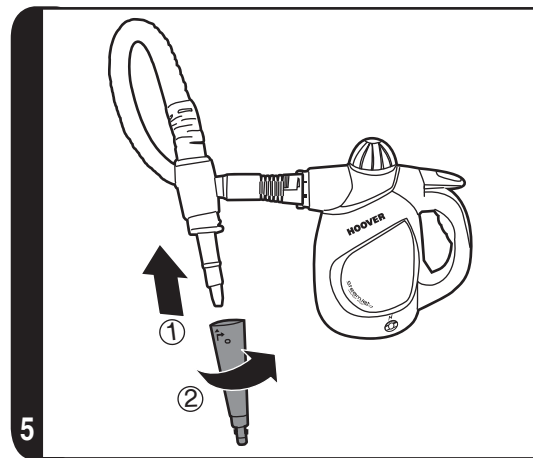
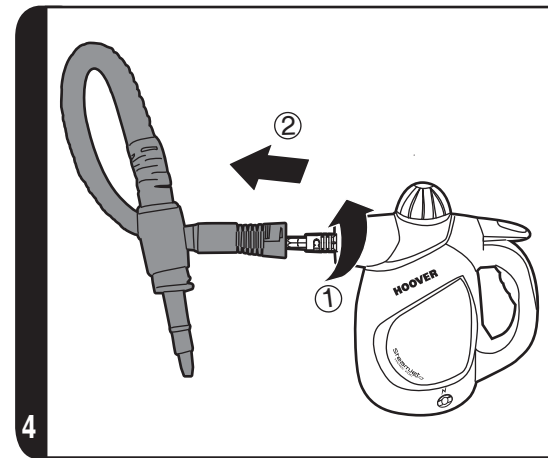
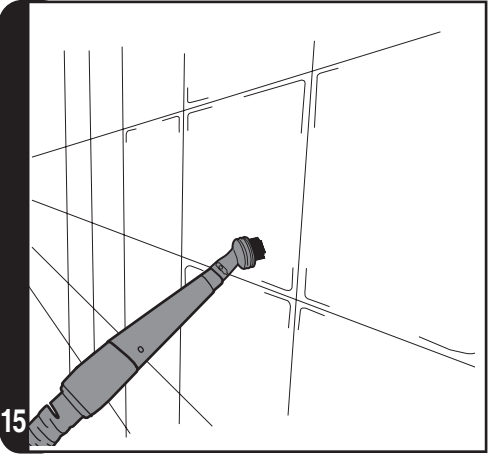
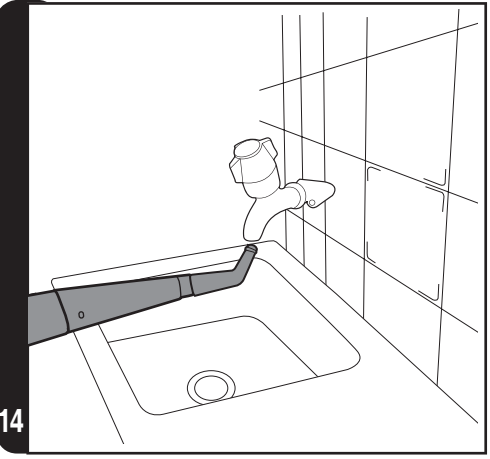
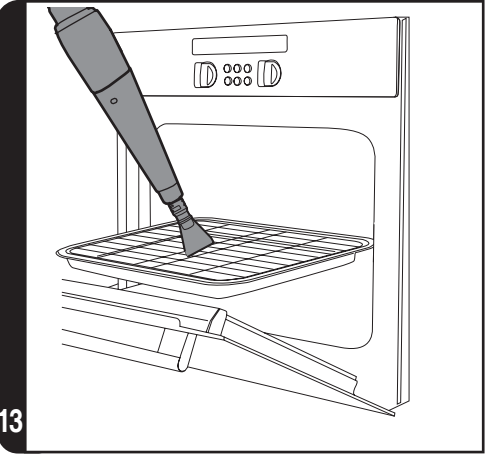
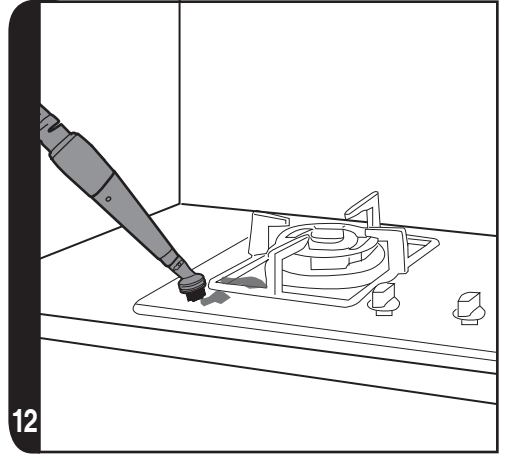
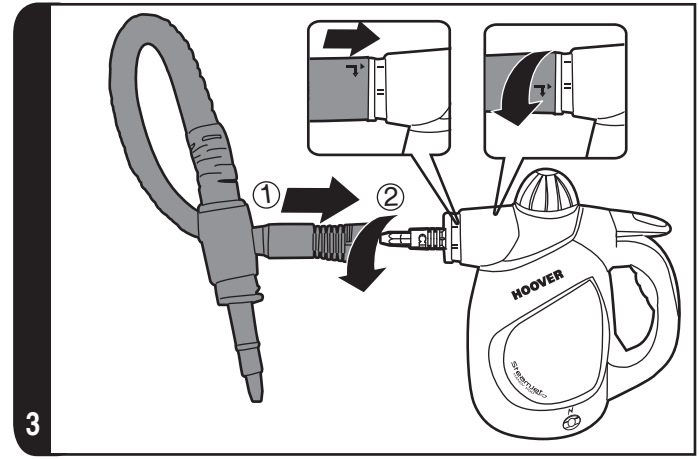
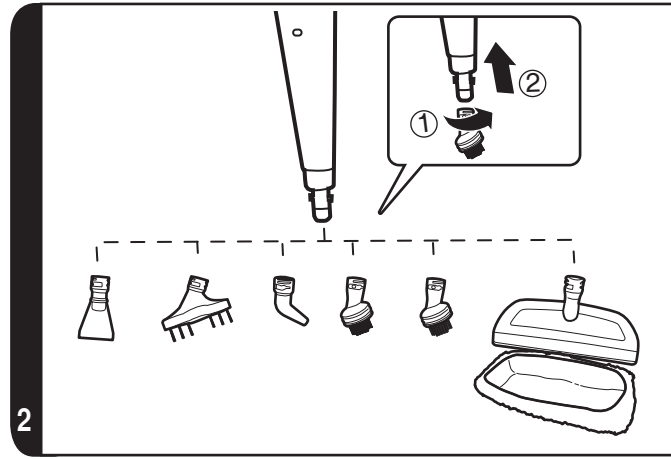
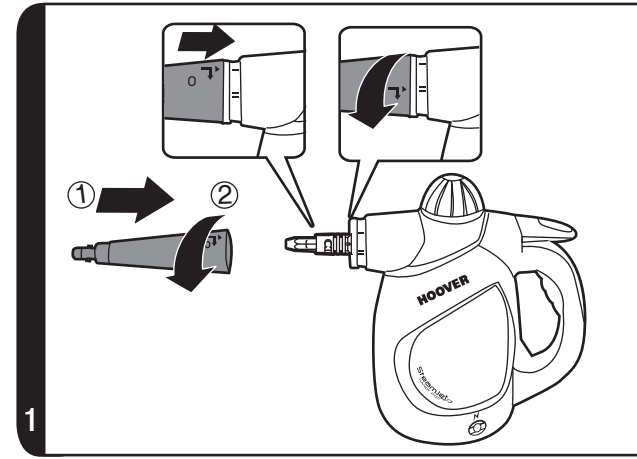
ENGLISH GB



GENERATION FUTURE

PRINTED IN P.R.C.
48008634






IMPORTANT SAFETY REMINDERS

This cleaner should only be used for domestic cleaning, as described in this user guide. Please ensure that this guide is fully understood before operating the appliance. Use only attachments recommended or supplied by HOOVER.

When using cleaning tools ensure to always steady the product with your other hand. This will ensure the product does not fall while in use.

WARNING: Danger of scalding.  This product is very hot when used. Avoid any contact with steam.

WARNING: Electricity can be extremely dangerous. This appliance must be earthed. This plug is fitted with a 13 Amp fuse (UK only).

IMPORTANT: The wires in the mains power cord are coloured in accordance with the following code: **Blue – Neutral** **Brown – Live**

AFTER USE: Switch the cleaner off and remove the plug from the electricity supply. Always switch off and remove the plug before cleaning the appliance or attempting any maintenance task.

SAFETY WITH CHILDREN, ELDERLY OR THE INFIRM:

This appliance can be used by children aged from 8 years and above and persons with reduced physical, sensory or mental capabilities or lack of experience and knowledge if they have been given supervision or instruction concerning use of the appliance in a safe way and understand the hazards involved. Children shall not play with the appliance. Cleaning and user maintenance shall not be made by children without supervision.

HOOVER SERVICE: To ensure the continued safe and efficient operation of this appliance we recommend that any servicing or repairs are only carried out by an authorised HOOVER service engineer.

IT IS IMPORTANT THAT YOU DO NOT:

- The filling aperture must not be opened in use.
- Leave the cleaner unattended while switched on.
- Unplug by pulling on the cord.
- Handle the plug or product with wet hands.
- Use detergents or liquids other than water inside the product.
- Direct steam towards equipment containing electrical components, such as the interior of ovens.
- Put the cleaner in water or other liquids.
- Position the cleaner above you when cleaning the stairs.

- Use your cleaner out of doors.
- Spray with or pick up flammable liquids, cleaning fluids, aerosols or their vapours as this may cause risk of fire / explosion.
- Stand on or wrap the power cord around arms or legs when using the cleaner.
- Use the appliance to clean or direct steam towards people, animals or plants.
- Continue to use your cleaner if it appears to be faulty. If the power cord is damaged stop using the cleaner IMMEDIATELY. To avoid a safety hazard, an authorised HOOVER service engineer must replace the power cord.

The Environment

The symbol on this appliance indicates that this appliance may not be treated as household waste. Instead it must be handed over to the applicable collection point for the recycling of electrical and electronic equipment. Disposal must be carried out in accordance with local environmental regulations for waste disposal. For more detailed information about treatment, recovery and recycling of this appliance, please contact your local city office, your household and waste disposal service or the shop where you purchased the appliance.



 This appliance complies with the European Directives 2006/95/EC, 2004/108/EC and 2011/65/EU.

HOOVER Limited, Pentrebach, Merthyr Tydfil, Mid Glamorgan, CF48 4TU, UK

GETTING TO KNOW YOUR CLEANER

- A. Power Light (Red) / Steam Ready Indicator Light (Green)
- B. Cleaner Main Body
- C. Handle
- D. Steam Release Trigger
- E. Water Tank Lid
- F. Clamp Ring
- G. Nozzle Connector
- H. Release Button
- I. Textile Pad (x1)
- J. Measuring Jug
- K. Conic Tool
- L. Scraper Tool
- M. Comb Brush
- N. Angled Nozzle
- O. Metal Brush
- P. Round Brush
- Q. Window squeegee / Upholstery Tool (withTextile Pad)
- R. Hose

ASSEMBLING YOUR CLEANER

WITHOUT HOSE

1. Align the orientation marks(-) and rotate clockwise until Conic Tool is in locked position (=) and secure. [1]
2. Once conic tool is attached, use for direct steam application or attach desired accessories. [2]

WITH HOSE

1. Fit the Hose over the nozzle on the product. Align the orientation marks (-) and rotate clockwise until hose is in locked position (=) and secure. [3]
2. To remove hose, slide release button at the base of Hose away from cleaner and rotate counter-clockwise and gently pull away from cleaner. [4]
3. Attach conic tool to the nozzle on the hose. insert and rotate clockwise until Conic Tool is in locked position and secure. [5]

USING YOUR CLEANER

BEFORE YOU BEGIN CLEANING

1. Remove the clean water lid by pushing down and turning anti-clockwise. [6]
2. Fill the measuring jug no more than the Max fill line.
3. Fill the unit with water. [7]
4. Replace the lid by pushing down and turning clockwise.

IMPORTANT: Always unplug the cleaner and press the steam release trigger to release any remaining steam pressure before adding water.

ACCESSORIES

1. Push the desired small tool onto the conic tool aligning the arrows. [2]
2. Twist clockwise to secure in place. [2]
3. Plug the steam cleaner into the main power. The red ON light will illuminate. [8]
4. After a few minutes the green Steam Ready light will illuminate indicating the cleaner is ready for use. [8]
5. To produce steam press the Steam Trigger

NOTE: All small tools can only be attached to conic tool.

Conic Tool	Use on heavily soiled areas such as showers, kitchens. [9]
Window Squeegee	Use on windows and mirrors for a smear free clean. [10]
Upholstery Tool	Use the textile pad over the window tool for use on sofas and chair fabrics. [11]
Round Brush	Use on stubborn grease and grime. [12]
Metal Brush	For oven grills and racks. [13]
Angled Nozzle	For hard to reach areas such as taps etc. [14]
Comb Brush	Ideal for cleaning all grout lines, sanded or nosanded. [15]

IMPORTANT: Always unplug the cleaner when adding water, changing accessory tool .

CLEANER MAINTENANCE

IMPORTANT: ALWAYS ENSURE THE CLEANER HAS FULLY COOLED DOWN BEFORE PERFORMING ANY MAINTENANCE TASKS.

Empty the water tank

1. Unplug the cleaner from the main power and ensure the unit has cooled.
2. Hold the steam release trigger down to release any remaining steam pressure. [16]
3. Remove the clean water lid by pushing down and turning anti-clockwise. [7]
4. Lift the cleaner and empty any remaining water. [17]

Removing and cleaning the textile pad

1. Unplug the cleaner from the main power and ensure the unit has cooled.
2. Remove the textile pad from window squeegee.
3. Wash the textile pad by hand or machine with a mild detergent at max temperature 30°C.

IMPORTANT: Do not use bleach or fabric softener when washing the textile pad.

TROUBLESHOOTING

Should you have a problem with the product, complete this simple user checklist before calling your local HOOVER service.

The steam cleaner will not powered.

- Check the unit is plugged in.
- Check the power cord

The product is not producing steam.

- Check the unit is plug in.
- There may be no water in the water tank.
- The water is not at the correct temperature. The green light will illuminate when ready.

The cleaner is taking a long time to heat up.

- If you live in a hard water area the water tank may have become blocked. The unit will have to be descaled.

IMPORTANT INFORMATION

Hoover Service

Should you require service at any time, please contact your local Hoover Service office.

Hoover Customer Helpline Service

Should any faults occur with your cleaner during the first 12 months, contact the Hoover Customer Helpline on the number below.

Tel: 08444 995 599

Email: customer.services@hoovercandy.com

Hoover have a computerised nationwide service network of over 500 engineers who will quickly respond to your call and guarantee your repair for 12 months.

Quality

Hoover's factories have been independently assessed for quality. Our products are made using a quality system which meets the requirements of ISO 9001.

Your Guarantee

The guarantee conditions for this appliance are as defined by our representative in the country in which it is sold. Details regarding these conditions can be obtained from the dealer from whom the appliance was purchased. The bill of sale or receipt must be produced when making any claim under the terms of this guarantee.

Subject to change without notice.