

# Assembly and Operating Instructions for

## 2 Burner with Side Burner Gas BBQ



Photographs are not to scale.  
Specifications subject to change  
without prior notice.

Model KS0993

CE 0359



**WARNING**

- For outdoor use only. Not for commercial use.
- Use only Propane regulator 37mbar.
- Read instructions before using the appliance. Failure to follow instructions could result in death, serious bodily injury, and/or property loss.
- Warning: accessible parts may be very hot. Keep young children away.
- Do not move the appliance during use.
- Turn off the gas supply at the gas bottle after use.
- Any modification of the appliance, misuse, or failure to follow the instructions may be dangerous and will invalidate your warranty. This does not affect your statutory rights.
- Retain these instructions for future reference.
- Leak test your barbecue annually. Check the hose connections are tight and leak test them each time you reconnect the gas bottle.

### FOR YOUR SAFETY

If you smell gas:

1. Shut off gas to the appliance.
2. Extinguish any open flame.
3. Open barbecue lid or hood.
4. If odour continues, discontinue use and contact your local dealer.

### FOR YOUR SAFETY

1. Do not store or use petrol or other flammable vapours or liquids in the vicinity of this or any other appliance.
2. A gas bottle not connected for use shall not be stored in the vicinity of this or any other appliance.

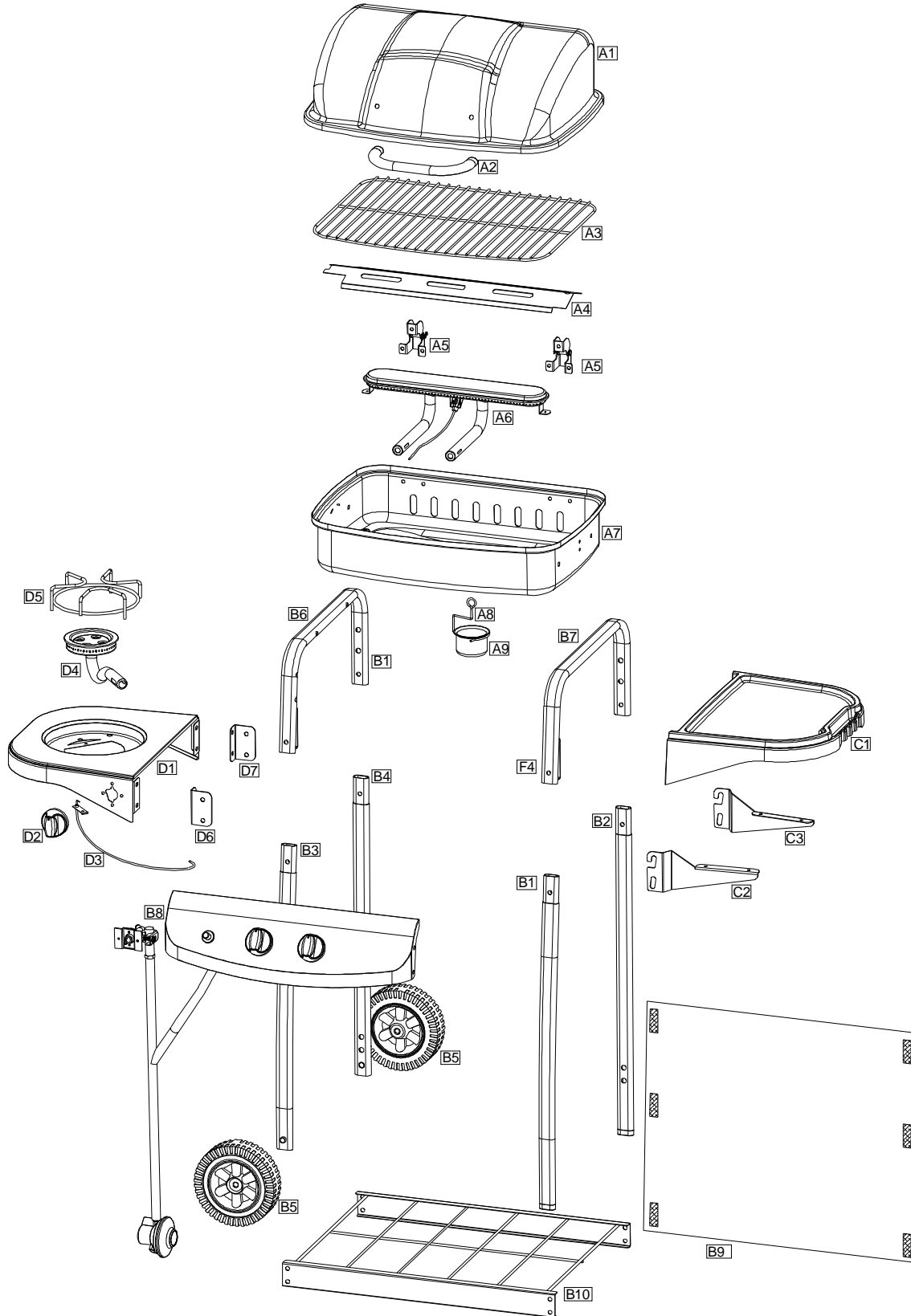
## **A. Parts List**

Quantities vary according to model purchased. Specifications subject to change without prior notice. For more details on hardware, please see the corresponding Hardware Reference Diagram for your barbecue model.

<b>CODE</b>	<b>PART</b>	<b>QTY</b>
A1	Lid	1
A2	Lid handle	1
A3	Cooking grill	1
A4	Heat tent	1
A5	Hinge	2
A6	Burner	1
A7	Firebowl	1
A8	Grease cup hanger	1
A9	Grease cup	1
B1	Right front leg	1
B2	Right rear leg	1
B3	Left front leg	1
B4	Left rear leg	1
B5	Wheel	2
B6	Left upper support	1
B7	Right upper support	1
B8	Control panel assembly	1
B9	Front canvas	1
B10	Bottom shelf	1
C1	Side table	1
C2	Side table front support	1
C3	Side table rear support	1
D1	Side burner assembly	1
D2	Side burner knob	1
D3	Side burner electrode	1
D4	Side burner	1
D5	Side burner grate	1
D6	Side burner front support	1
D7	Side burner rear support	1
E1	M6*20 bolt	8
E2	M6*12 bolt	20
E3	ST4*10 bolt	10
E4	M4 nut	2
E5	Washer	2
E6	M6 nut	8
E7	M5*8 bolt	8
E8	M6*15 Shoulder bolt	4
E9	M4*8 bolt	3
E10	Axle	2
E11	Heat tent support	1
E12	R-pin	2
E13	M5 nut	6

# B1. Parts Diagram

Quantities vary according to model purchased. Specifications subject to change without prior notice. For more details on hardware, please see the corresponding Hardware Reference Diagram for your barbecue mode

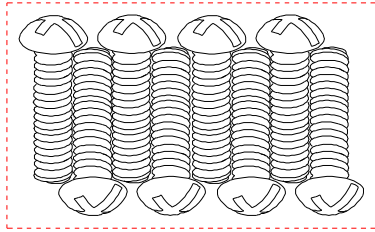


## B2. Hardware Reference Diagram

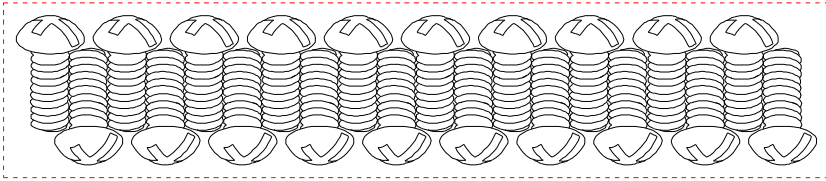
Specifications subject to change without prior notice.

### KS0993

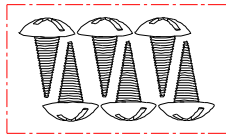
I E1 M6x20 Bolt 8PCS



E2 M6x12 Bolt 20PCS



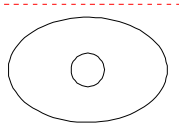
E3 ST4\*10 Bolt 6PCS



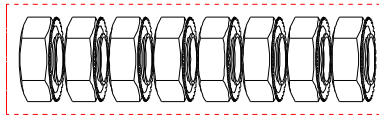
E4 M4 Nut 2PCS



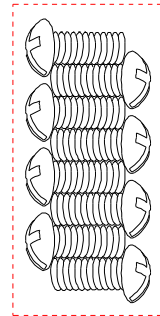
E5 Washer 2PCS



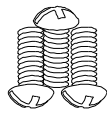
E6 M6 Nut 8PCS



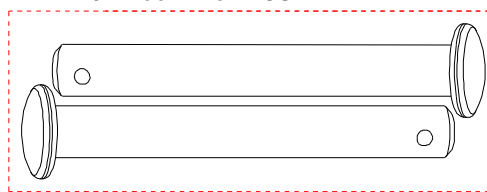
E7 M5x8 Bolt 8PCS



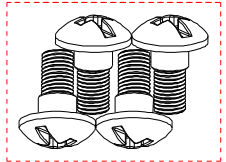
E9 M4x8 Bolt 3PCS



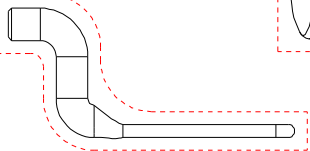
E10 Axle 2PCS



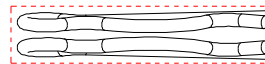
E8 M6x15 Shoulder Bolt 4PCS



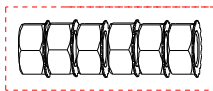
E11 Heat tent support 1PCS



E12 R Pin 2PCS



E13 M5 Nut 6PCS



## C. Assembly

### TOOLS NEEDED FOR ASSEMBLY:

Medium size flat blade or Philips/cross-point screwdriver, adjustable spanner or metric spanner set

This barbecue requires two people for assembly. Please remove all packaging materials from all individual parts before assembling. Please lay out all nuts and bolts and check lengths before assembling. Whilst every care is taken during the manufacture of this product, care must be taken during the assembly in case sharp edges are present.

1

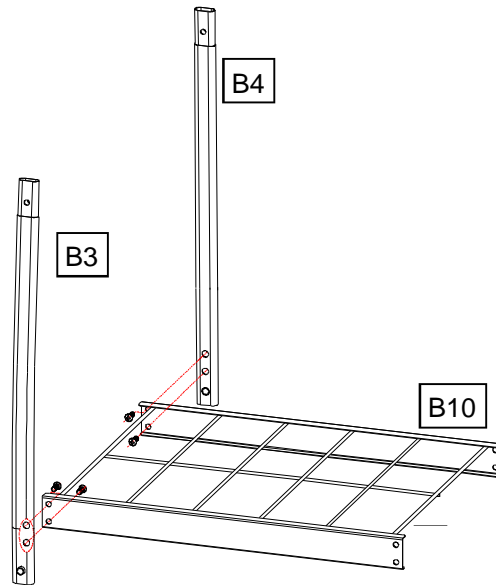


Fig 1

Fix the left front leg (B3) and left rear leg (B4) on the bottom shelf (B10) using M6\*12 bolts (E2) as Fig 1 .

2

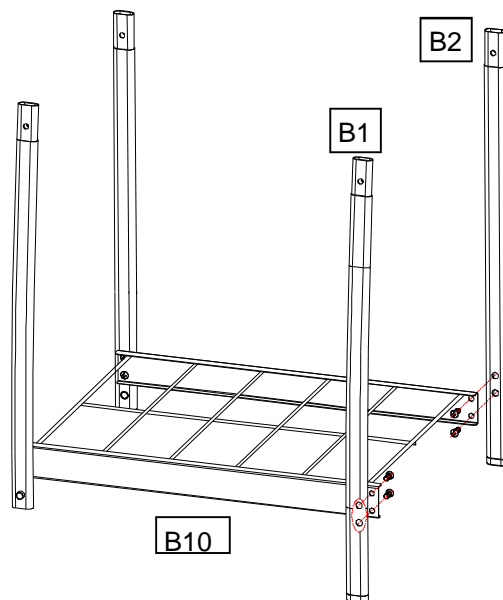
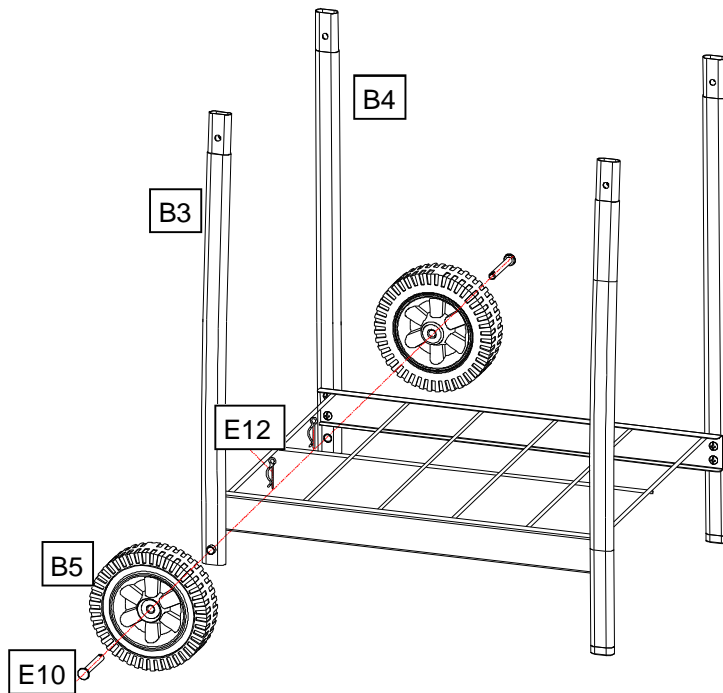
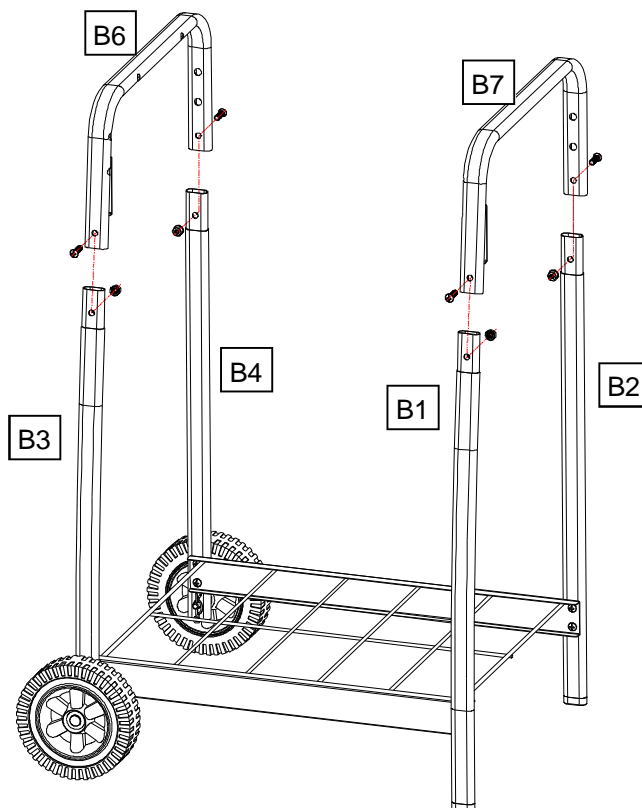


Fig 2

Fix the right front leg (B1) and left rear leg (B2) on the bottom shelf (B10) using M6\*12 bolts (E2) as Fig 2 .

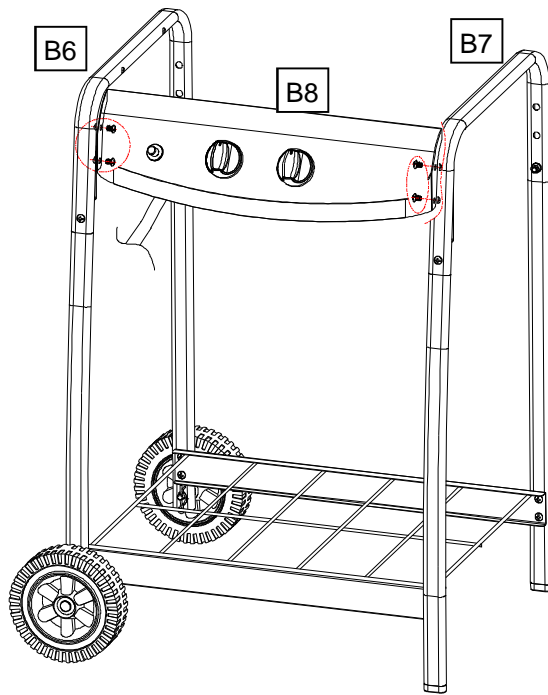
**3****Fig 3**

Install the wheels (B5) to the left front leg (B3) and left rear leg (B4) using the axle (E10). Then fix the axle (E10) by R pin (E12) as Fig 3 .

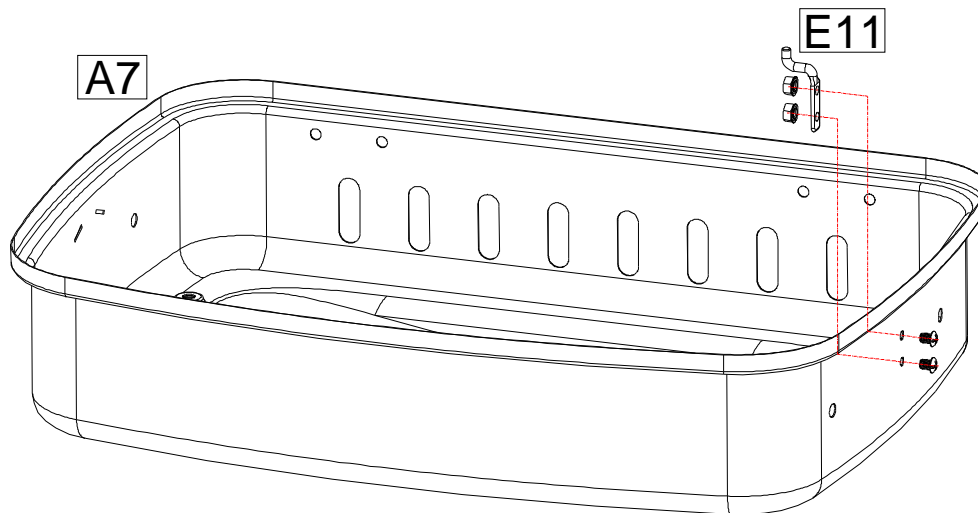
**4****Fig 4**

Connect the left upper support (B6) with the left front leg (B3) and left rear leg (B4) using M6\*20 bolts (E1) and M6 nuts (E6) as Fig 4.

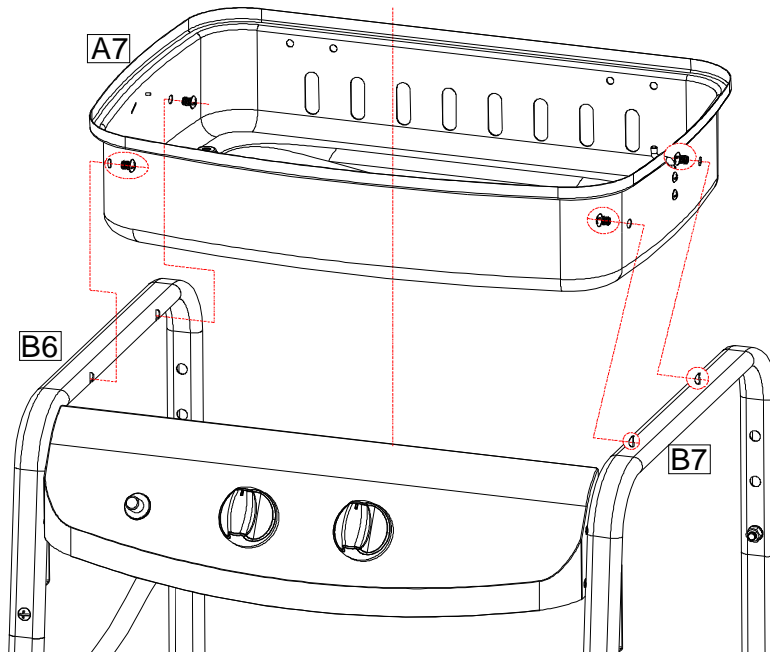
Repeat the same connection of the right upper support (B7) with the right front leg (B1) and right rear leg (B2) using M6\*20 bolts (E1) and M6 nuts (E6) as Fig 4. Fix the bolts tightly by the screwdriver.

**5****Fig 5**

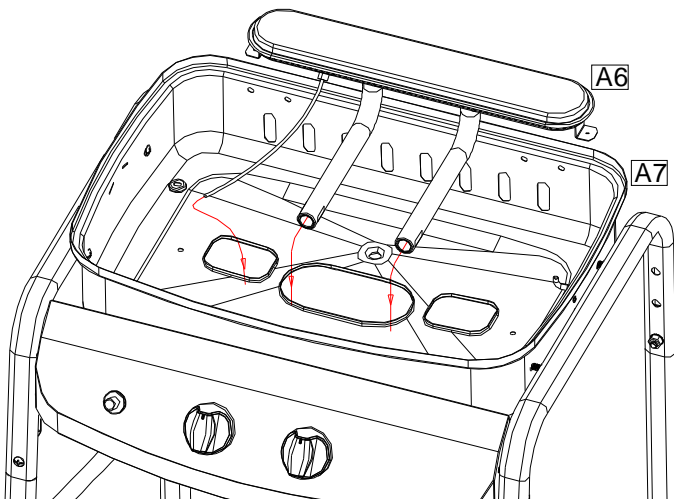
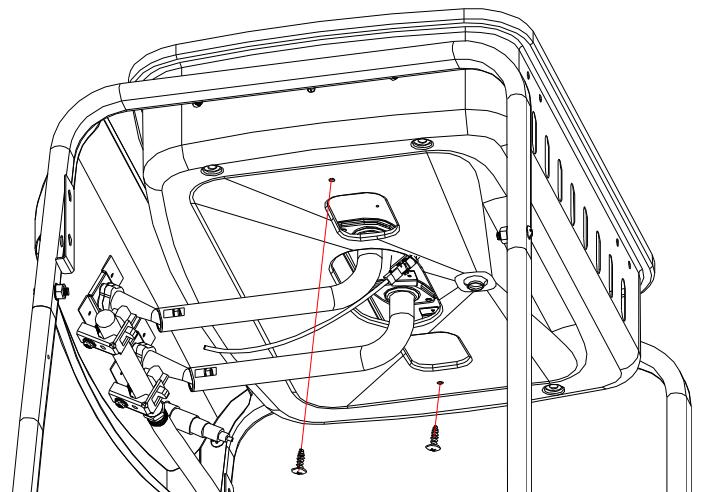
Fix the control panel assembly (B8) on the left upper support (B6) and right upper support (B7) using M6\*12 bolts (E2) as Fig 5.

**6****Fig 6**

Fix the heat tent support (E11) on the firebowl (A7) using M4\*8 bolts (E9) and M4 nuts (E4) as Fig 6.

**7****Fig 7**

Set the firebowl (A7) on the left upper support (B6) and right upper support (B7) using M6\*20 bolts (E1) as Fig 7.

**8****Fig 8a****Fig 8b**

Put the burner (A6) through the hole of the firebowl (A7) as Fig 8a.

Align all valves on the control panel assembly (B8) against each venturi of the burner (A6). Make sure all the valve tips go into the venturi tube completely with good alignment. Fix the burner (A6) on the firebowl (A7) using ST4\*10 bolts (E3) as Fig 8b.

Put the burner electrode in the valve on the control panel assembly (B8).



9

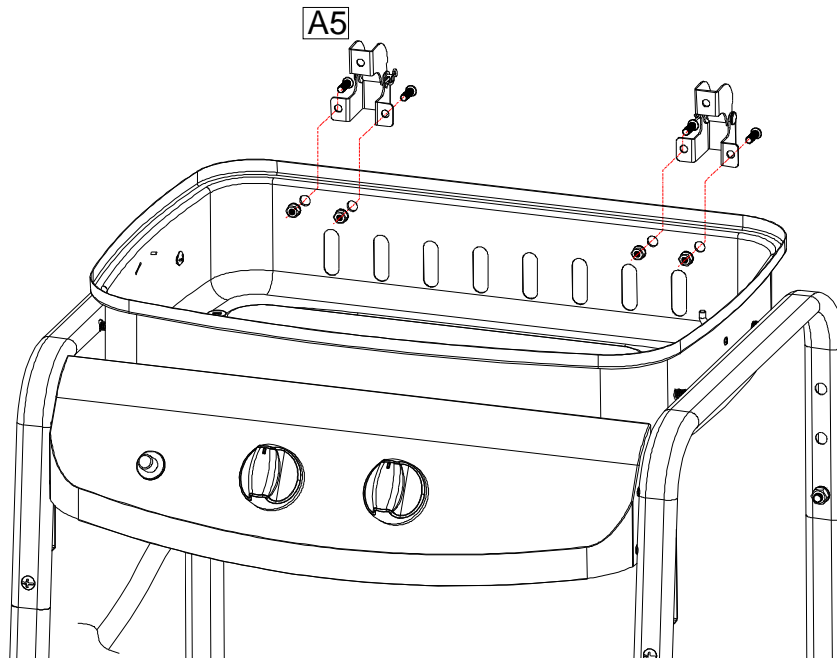


Fig 9

Fix the hinge (A5) on the firebowl (A7) using M5\*8 bolts (E7) and M5 nuts (E13) as Fig 9

10

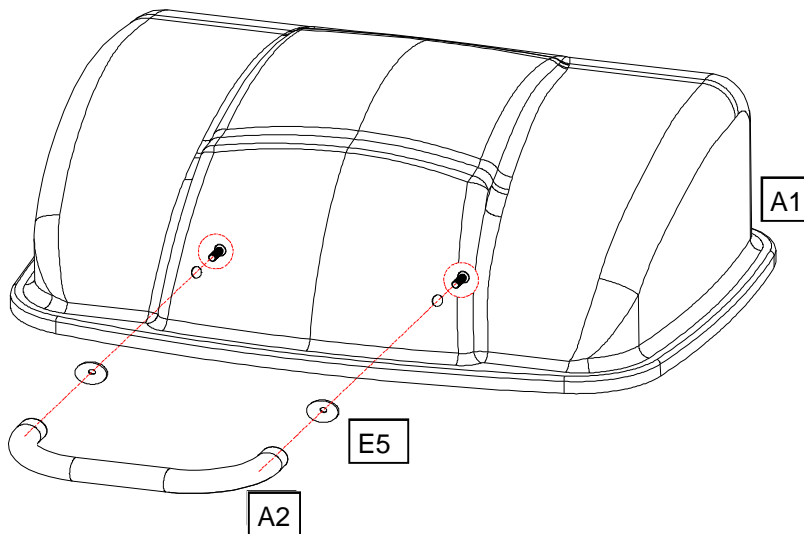


Fig 10

Put the washer (E5) between the lid handle (A2) and lid (A1). Align the holes and fix the lid handle (A1) on the lid (A1) using M5\*8 bolts (E7) as Fig 10.

11

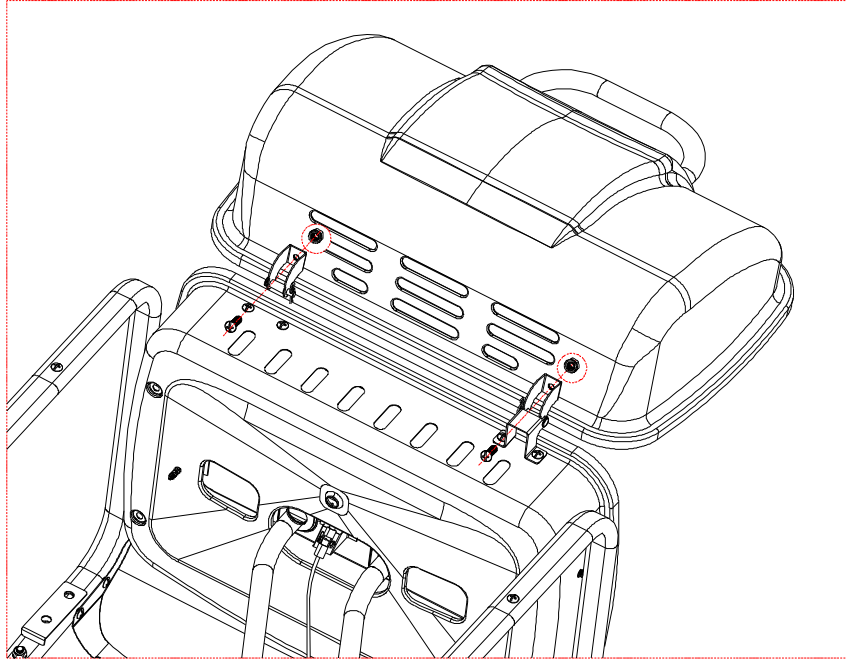


Fig 11

Fix the lid (A1) and firebowl (A7) by the hinge (A5) using M5\*8 bolts (E7) and M5 nuts (E13) as Fig 11.

12

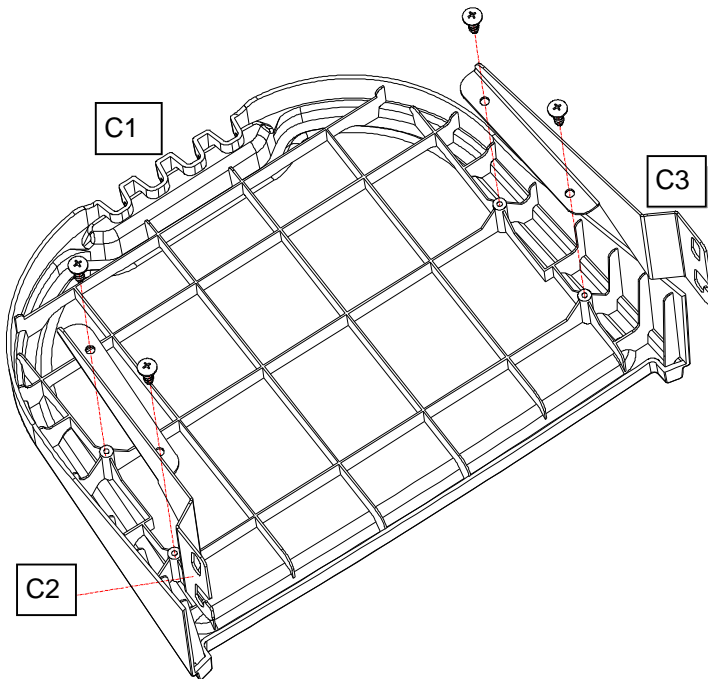
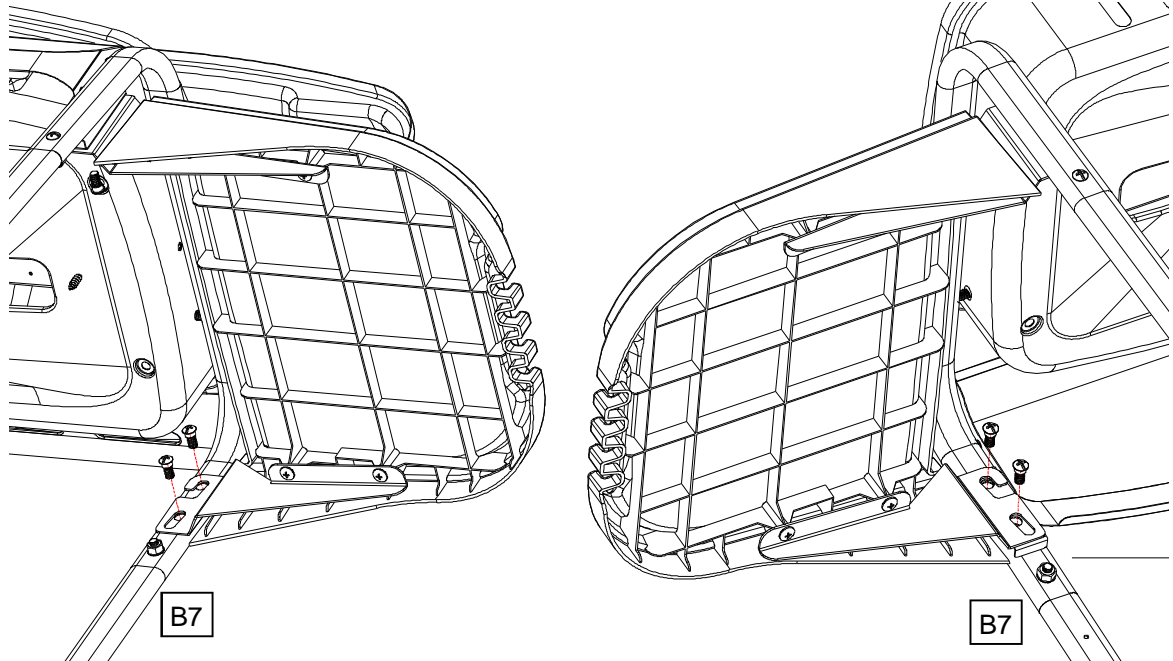
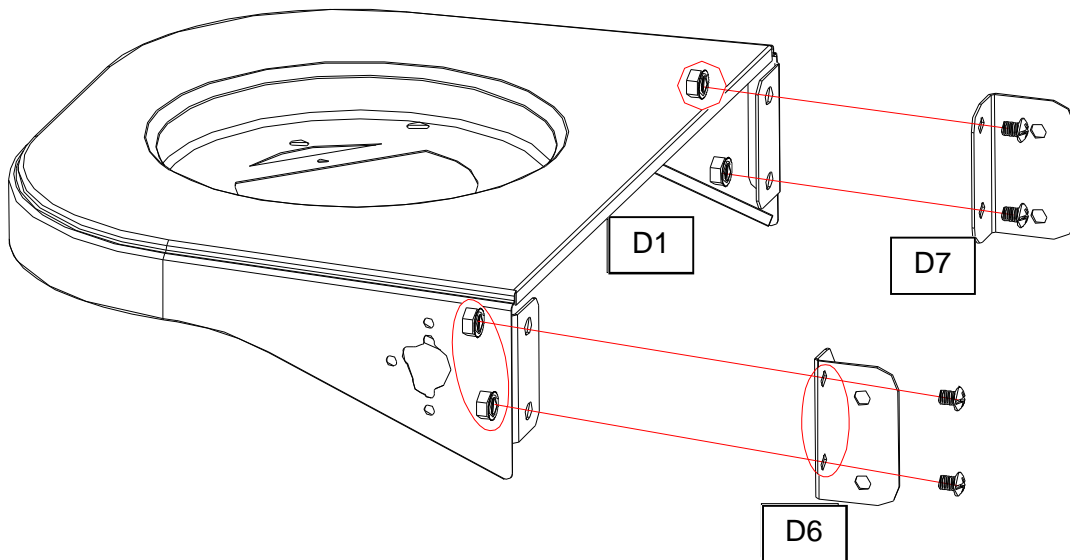


Fig 12

Assemble the side table front support (C2) and side table rear support (C3) to the side table (C1). Secure the supports with ST4\*10 screws (E3) as Fig 12.

**13****Fig 13a****Fig 13b**

Install the side table assembly made on step 12 to the right upper support (B7) by M6\*15 shoulder bolts (E8) as Fig 13a and Fig 13b.

**14****Fig 14**

Fix the side burner front support (D6) and side burner rear support (D7) to the side burner assembly (D1) using M6\*12 bolt (E2) and lock the support narrow side by M6 nuts (E6) as Fig 14.

15

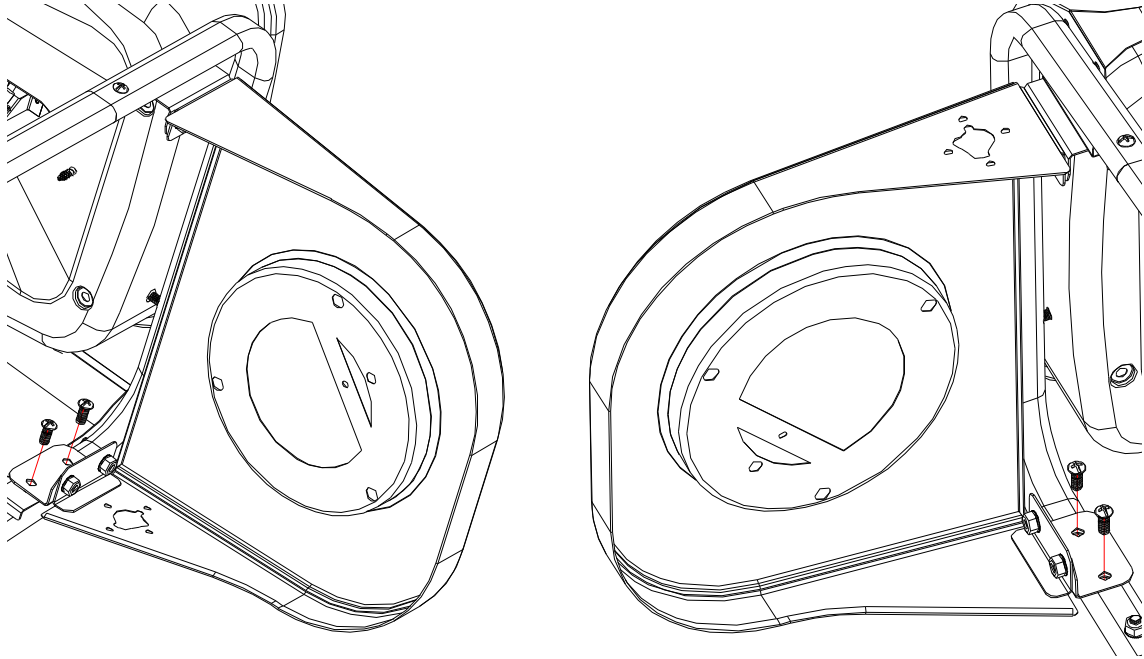


Fig 15

Fix the side table assembly (D1) to the left upper support (B6) using M6\*12 bolts (E2) as Fig 15.

16

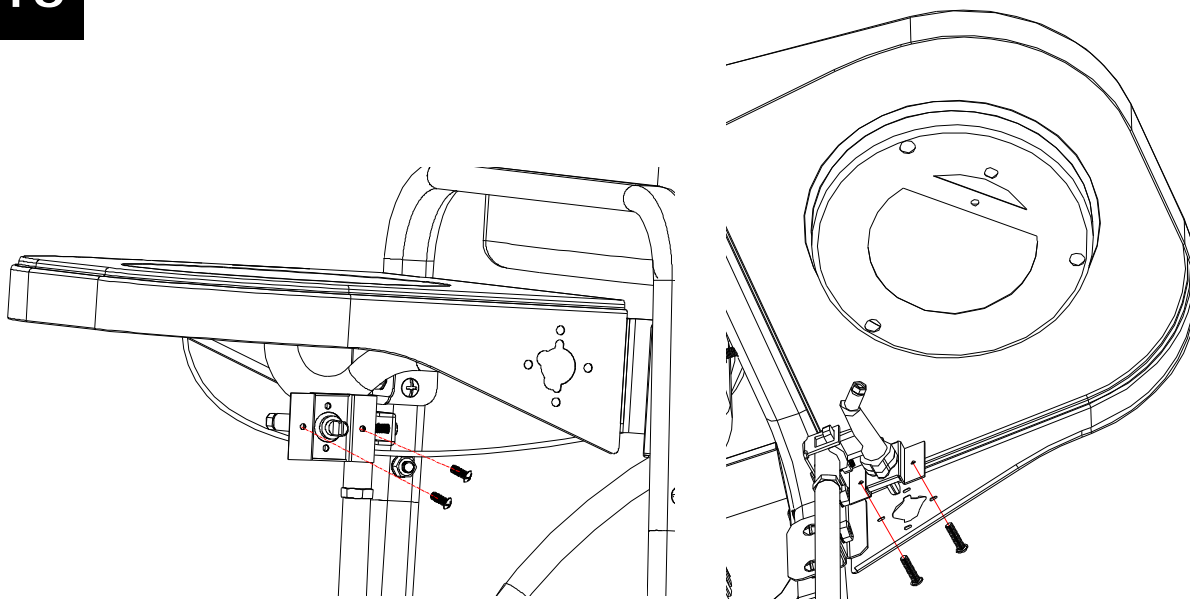
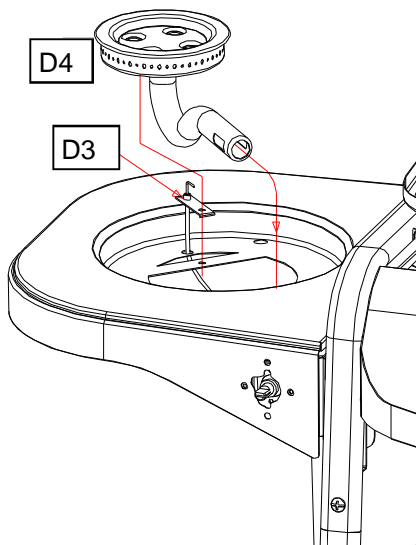


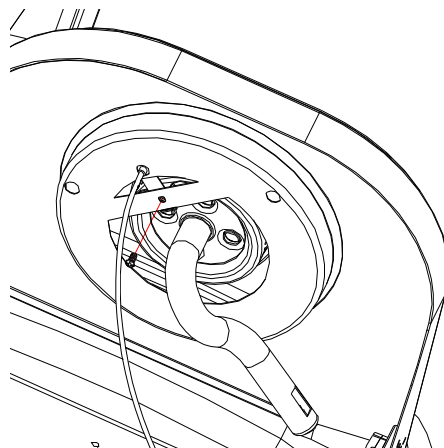
Fig 16a

Fig 16b

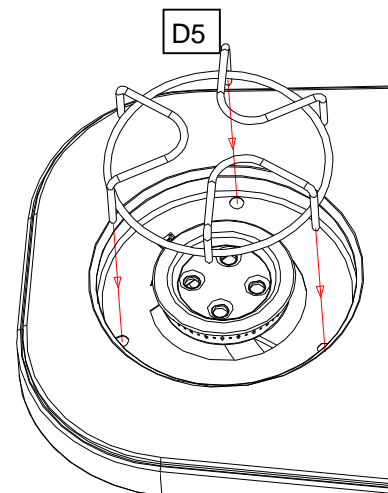
Loosen the pre-assembled screws on the side burner valve of the control panel assembly (B8) as Fig 16a. Fix the side burner valve on the side burner panel bracket of the side burner assembly (D1) using the screws as Fig 16b.



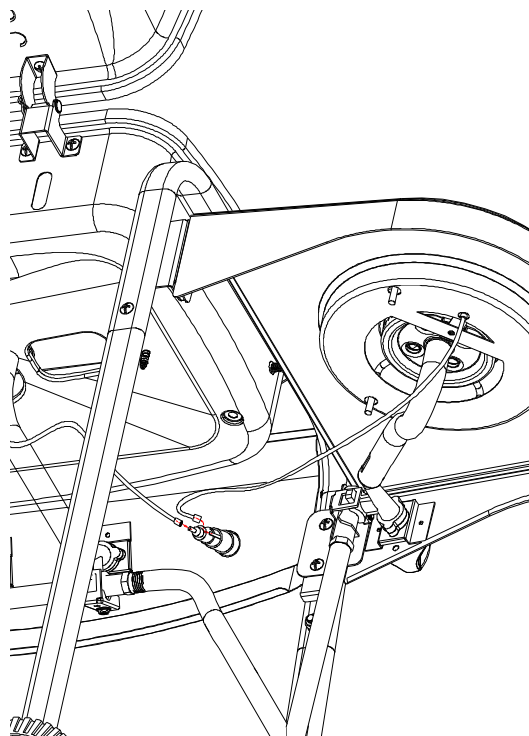
**Fig 16c**



**Fig 16d**

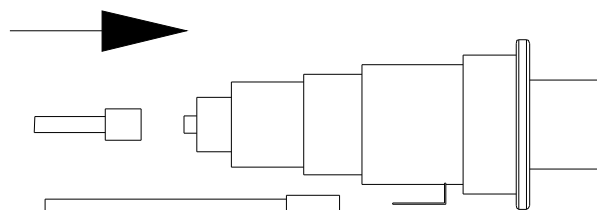


**Fig 16e**



**Fig 16f**

Electrode of Main Burner



Electrode of Side Burner

**Fig 16g**

Fix the side burner electrode (D3) on the side burner assembly (D1) using M4\*8 bolt (E9). Put the side burner (D4) through the hole of side burner assembly (D1) as Fig 16c.

Adjust the burner venturi against the valve. Make sure the valve tip goes into the venturi tube completely with good alignment. Then tighten the side burner (D4) on the side burner assembly (D1) using M4\*8 bolt (E9) as Fig 16d.

Put the side burner grate (D5) on the side burner assembly (D1) and align with 3 holes as Fig 16e.

Connect the side burner electrode (D3) to the valve of the control panel assembly (B8) as Fig 16f and 16g.

17

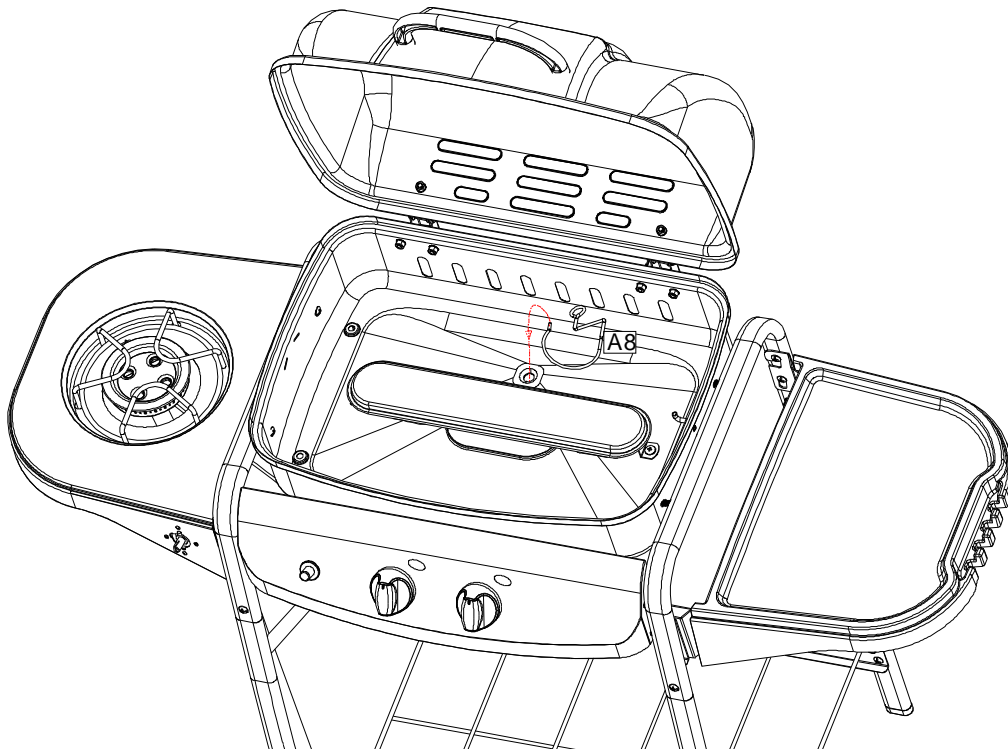


Fig 17

Put the grease cup hanger (A8) through the hole on firebowl (A7) as Fig 17.

18

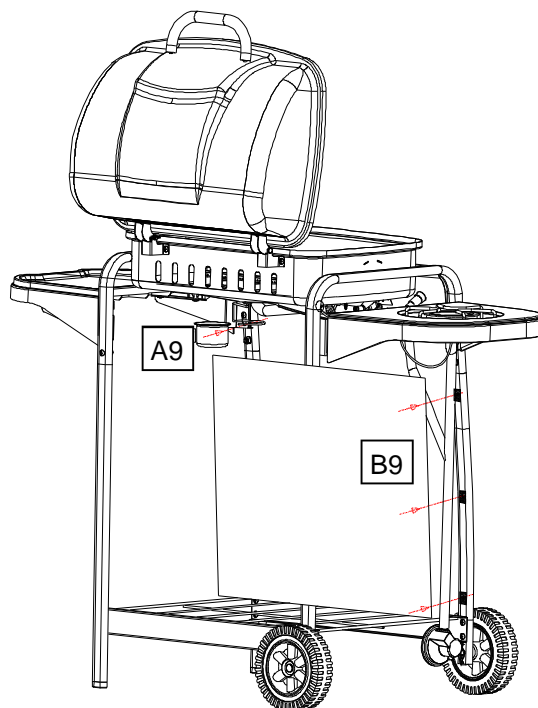


Fig 18

Hang the grease cup (A9) on the grease cup hanger (A8). Attach the Front Canvas (B9) to the left front leg (B3) and right front leg (B1) as Fig 18. Secure the position with the velcro on canvas edge.

19

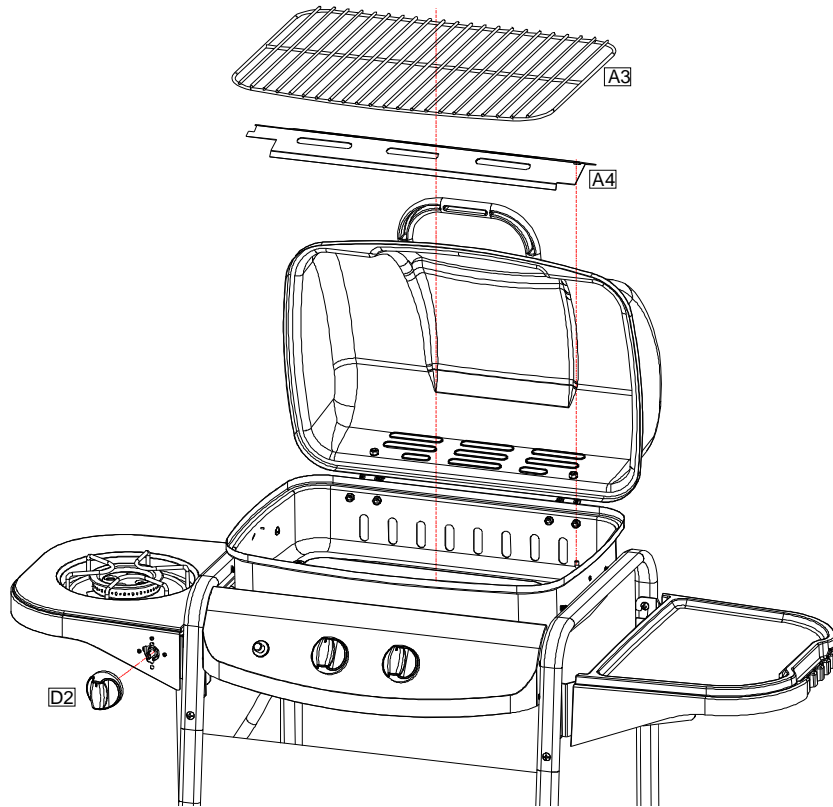


Fig 19

Put the side burner knob (D2) on the side burner assembly (D1). Put the heat tent (A4) and cooking grill (A3) on the firebowl (A7) as Fig 19.

20



Fig 20

Complete the assembly as Fig 20.

## **D. Important Information**

Please read these instructions carefully before assembly and use.

- Retain these instructions for future reference.
- For outdoors use only – do not use indoors. Do not use below ground level.
- For use with LPG bottled gas only. A regulator of 37mbar must be used for propane.
- Do not use within 1m of any flammable structure or surface.
- LP gas cylinders should not be placed directly underneath the barbecue.
- LP gas cylinders must not be stored or used in the horizontal position. A leak would be very serious and liquid could enter the gas line.
- When igniting barbecue open its hood before lighting.
- Do not move the barbecue while alight.
- This barbecue must not be left unattended when lit.
- The hood handle can become very hot. Grip only the centre of the handle. Use of a cooking glove is advised.
- Use caution when opening the hood, as hot steam inside is released upon opening.
- Parts of this barbecue become very hot – care must be taken when children, elderly people, and animals are present.
- Always turn off the gas bottle when the barbecue is not in use.
- Never cover a barbecue until it has completely cooled.
- Never use the barbecue with the side shelf in the down position.
- Leak test annually, and whenever the gas bottle is removed or replaced.
- Do not store flammable materials near this barbecue.
- Do not use aerosols near this barbecue.
- Failure to follow the manual's instructions could result in serious injury or damage.
- If you have any queries regarding these instructions, contact your local dealer.

## **E. Gas and Regulator**

This barbecue can use only propane LPG bottled gas. Propane bottles will supply gas all year round, even on cold winter days. A spanner may be required to change gas bottles. The bottle should never be stood on the trolley base and placed directly under the barbecue. Gas bottles should never be stored or used laid on their side. Never store gas bottles indoors.

YOU MUST HAVE THE PROPER REGULATOR AND BOTTLE IN ORDER FOR THE BARBECUE TO OPERATE SAFELY AND EFFICIENTLY. USE OF AN INCORRECT OR FAULTY REGULATOR IS DANGEROUS AND WILL INVALIDATE ANY WARRANTY. Please consult your local gas dealer for the most suitable gas bottles.

## **F. Installation**

### **F1. Selecting a Location**

This barbecue is for outdoor use only and should be placed in a well-ventilated area. Take care to ensure that it is not placed UNDER any combustible surface. The sides of the barbecue should NEVER be closer than 1 metre from any combustible surface. Keep this barbecue away from any flammable materials!

### **F2. Precautions**

Do not obstruct any ventilation openings in the barbecue body. Secure the gas bottle on the cylinder holder and always tighten it with the black strap provided. Should you need to change the gas bottle, confirm that the barbecue is switched off, and that there are no sources of ignition (cigarettes, open flame, sparks, etc.) near before proceeding. Inspect the gas hose to ensure it is free of any twisting or tension. The hose should hang freely with no bends, folds, or kinks that could obstruct free flow of gas. Apart from the connection point, no part of the hose should touch any hot barbecue parts. Always inspect the hose for cuts, cracks, or excessive wear before use. If the hose is damaged, it must be replaced with hose suitable for use with LPG and meet the national standards for the country of use. The length of the hose shall not exceed 1.5m. *N.B.-The date on U.K. hose is the date of manufacture, not the expiry date.*

### **F3. Fixing the Regulator to the Gas Bottle**

Confirm all barbecue control knobs are in the off position. Connect the regulator to the gas bottle according to your regulator and bottle dealer's instructions.

### **F4. Leak Testing (To be performed in a well-ventilated area.)**

Confirm all control knobs are in the off position. Open the gas control valve on the bottle or regulator. Check for leaks by brushing a solution of ½ water and ½ soap over all gas system joints, including all valve connections, hose connections and regulator connections. NEVER USE AN OPEN FLAME to test for leaks at anytime. If bubbles form over any of the joints, there is a leak. Turn off the gas supply and retighten all joints. Repeat test. If bubbles form again, do not use the barbecue. Please contact your local dealer for assistance. Leak test your barbecue annually. Check the hose connections are tight and leak test them each time you reconnect the gas bottles.



## **G. Operation**

### **G1. Warning**

- Before proceeding, make certain that you understand the **IMPORTANT INFORMATION** section of this manual.

### **G2. Preparation Before Cooking**

To prevent foods from sticking to the cooking grill, please use a long handled brush to apply a light coat of cooking or vegetable oil before each barbecuing session. **(Note: When cooking for the first time, paint colours may change slightly as a result. This is normal and should be expected.)**

### **G3. Lighting the Main Burner**

- Open the barbecue hood.
- Ensure all knobs are in the off position. Open the gas control valve on the gas bottle or regulator.
- Push in and turn the burner control knob to the Max position. Press the ignition button rapidly several times until left portion of the burner is lit. If burner fails to ignite, turn control knob to the off position and turn gas off at the bottle or regulator. Wait five minutes, then repeat the above steps. After successful lighting of the left side, ignite the remaining portion of the burner. If the burner fails to ignite after following above procedure, turn all the knobs to the off position. Close the gas valve on the gas bottle. Wait 5 minutes, then repeat the above steps. If the barbecue still fails to light, please refer to the manual ignition instruction in the section below.
- After ignition, the burner should be burned at the high position for 3-5 minutes in order to preheat the barbecue. This process should be done before every cooking session. The hood (where applicable) should be open during preheating.
- After completion of preheating, the burner should normally be turned down to a lower position for best cooking results.

### **G4. Manual Ignition Instruction for Main Burner**

- Insert lit match through the match-lighting hole at the bottom of the barbecue body.
- Push in and turn the rightmost control knob anti-clockwise to the max position.
- After the right portion of the burner is lit, light the remaining portion of the burner.
- If burner fails to ignite, contact your local dealer for assistance.
- After ignition, the burner should be burned at the max position for 3-5 minutes in order to preheat the barbecue. This process should be done before every cooking session. The hood (where applicable) should be open during preheating.
- After completion of preheating, the burner should normally be turned down to a lower position for best cooking results.

### **G5. Lighting the Side Burner**

- Keep side burner free.
- Set the control knob to off and turn on the gas supply.
- Push in and turn the control knob anti-clockwise to max position.
- Push the ignition button several times and the burner should ignite.
- If the burner fails to ignite after above procedure, turn the knob to the off position and close the gas valve. Wait 5 minutes and then repeat the above steps. If the barbecue still fails to light, please refer to the manual ignition instruction in the section below.

### **G6. Manual Ignition Instruction for Side Burner**

- Set the control knob to the off position.
- Apply a lit match on the gas to burner ports.
- Push and turn the control knob anti-clockwise to max position and the burner should ignite. If the burner fails to ignite, contact your local dealer for assistance.

### **G7. Roasting Hood Cooking**

Barbecues equipped with a roasting hood give the option of cooking with hood closed to form an 'oven' for roasting food, such as joints of meat, whole chickens, etc.

When roasting, turn the burner under the food to the OFF position. Close the hood and turn the other burner down to a lower setting i.e. low to medium to achieve the temperature required. **DO NOT ALLOW YOUR BARBECUE TO OVERHEAT.** Avoid lifting the hood unnecessarily as heat is lost each time the hood is opened.

### **G8. End of Cooking Session**

After each cooking session, turn the barbecue burner to the "max" position and burn for 5 minutes. This procedure will burn off cooking residue, thus making cleaning easier. Make sure the hood is open during this process.

### **G9. Turning Off Your Barbecue**

When you have finished using your barbecue, turn all the control valves fully clockwise to the "Off" position, then switch off the gas at the bottle. Wait until the barbecue is sufficiently cool before closing its hood.

## **H. CARE AND MAINTENANCE**

Regularly clean your barbecue between uses and especially after extended periods of storage. Ensure the barbecue and its components are sufficiently cool before cleaning. Do not leave the barbecue exposed to outside weather conditions or stored in damp, moist areas.

- Never douse the barbecue with water when its surfaces are hot.
- Never handle hot parts with unprotected hands.

### H1. Cooking Grill

Clean with hot soapy water. To remove any food residue, use a mild cream cleaner on a non-abrasive pad. Rinse well and dry thoroughly.

### H2. Burner Maintenance

Your burner has been preset for optimal flame performance. You will normally see a blue flame, possibly with a small yellow tip when the burner is alight. If the flame pattern is significantly yellow, this could be a problem caused by grease from cooking blocking the burner or spiders or other insects in the burner venturi. This can result in the flow of the gas and air mixture being restricted or blocked which may result in a fire behind the control panel causing serious damage to your barbecue. **If this happens, the gas should be immediately turned off at the bottle.** Burners should be inspected and cleaned on a regular basis in addition to the following conditions:

- 1) Bringing the barbecue out of storage.
- 2) One or more of the burners do not ignite.
- 3) The burner flame pattern is significantly yellow.
- 4) The gas ignites behind the control panel.

To clean a burner, remove it from the barbecue. The outside of the burner can be cleaned with a wire brush. Clean the portholes with a pipe cleaner or piece of wire. Take care not to enlarge the portholes. Clean the insect screen on the end of the venturi tube with a bristle brush (i.e. an old toothbrush). Clean the venturi tube with a pipe cleaner or piece of wire. You may need a torch to see into the venturi tube to make sure it is clear. "Turn the burner up on end and lightly tap against a piece of wood to dislodge any debris from inside."

### H3. Barbecue Body

Regularly remove excess grease or fat from the barbecue body with a soft plastic or wooden scraper. It is not necessary to remove all the grease from the body. If you need to clean fully, use hot soapy water and a cloth, or nylon-bristled brush only. Remove cooking surfaces and burners before full cleaning. Do not immerse the gas controls or manifold in water. Check burner operation after carefully refitting into body.

### H4. Fixings

All screws and bolts, etc. should be checked and tightened on a regular basis.

### H5. Storage

Store your barbecue in a cool dry place. It must be inspected on a regular basis as damp or condensation can form which may result in damage to the barbecue. It may be necessary to dry the barbecue and the inside of the cover if used. Mould can grow under these conditions and should be cleaned and treated if required. Any rust that is found that does not come into contact with the food should

be treated with a rust inhibitor and painted with barbecue paint or a heat resistant paint. Chrome plated warming racks and grills should be coated with cooking oil. Wrap the burners in aluminium foil to help prevent insects or other debris from obstructing the burners.

The gas bottle must be always be disconnected from the barbecue and stored in a well ventilated area at least 1 metre away from any fixed ignition source. Do not store inside residential accommodation. Never store cylinders below ground level (e.g. cellars). Do not let children tamper with bottles.

## I. Technical Specifications

Model Number	KS0993
Gas Category	I3P (37)
Type of Gas	Propane
Gas Pressure	37 mbar
Pin Number	359/BU/1016
Injector Size (Main Burner)	0.75mm
Injector Size (Side Burner)	0.74mm
Total Heat Input	7.0 kW
2 Burner Heat Input	4.7 kW
Side Burner Heat Input	2.3 kW
Gas Consumption	500 g/h
Country of Destination	GB and IE

**This barbecue grill is manufactured by:**

**Donguang Kingsun Enterprises Co. Ltd.**

**Address: Xicheng Area 2, Shiyong Village, Hengli Town, Dongguan City, Guangdong Province, China**

## **L. Troubleshooting**

<b>Problem</b>	<b>Possible Cause</b>	<b>Solution</b>
<b>Burner will not light using the ignition system</b>	LP gas cylinder is empty	Replace with full cylinder
	Faulty regulator	Have regulator checked or replace
	Obstructions in burner	Clean burner
	Obstructions in gas jets or gas hose	Clean jets and gas hose
	Electrode wire is loose or disconnected on electrode or ignition unit.	Reconnect wire
	Electrode or wire is damaged	Change electrode and wire
Faulty pushbutton ignitor	Change ignitor	
<b>Burner will not light with a match</b>	LP gas cylinder is empty	Replace with full cylinder
	Faulty regulator	Have regulator checked or replace
	Obstructions in burner	Clean burner
	Obstructions in gas jets or gas hose	Clean jets and gas hose
<b>Low flame or flashback (fire in burner tube— a hissing or roaring noise may be heard)</b>	LP gas cylinder too small	Use larger cylinder.
	Obstructions in burner	Clean burner
	Obstructions in gas jets or gas hose	Clean jets and gas hose
	Windy conditions.	Use BBQ in a more sheltered position
<b>Gas valve knob difficult to turn</b>	Gas valve jammed	Replace gas valve

Argos Limited, MK9 2W