

Toby Gateleg Drop Leaf Table

habitat 



Spare Parts

 www.argos-support.co.uk

 Help@ClickSpares.co.uk

 0370 112 1928

Customer Support

 0345 640 2020



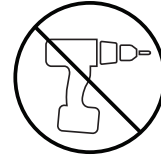
Safety and Care Advice

Product Details

3449077 Toby Gateleg Drop Leaf Table White

IMPORTANT, RETAIN FOR FUTURE REFERENCE: READ CAREFULLY.

- Keep children and animals away from the work area, small parts could choke if swallowed.
- Assemble the item as close to its final position (in the same room) as possible.
- Assemble on a soft level surface to avoid damaging the unit or your floor.
- We do not recommend the use of power drill/drivers for inserting screws as this could damage the unit. Only use hand screwdrivers.
- Parts of the assembly will be easier with 2 people.
- Dispose of all packaging carefully and responsibly.



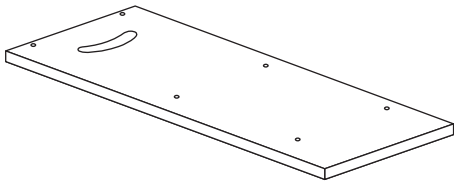
Care and maintenance

- Only clean using a damp cloth and mild detergent. Do not use abrasive cleaners.
- From time to time check that there are no loose screws, nuts or bolts. If there are please re-tighten.
- This product should not be discarded with household waste. Take to your local authority waste disposal centre.
- Use a dry cloth to clean the product, furniture polish is not recommended.

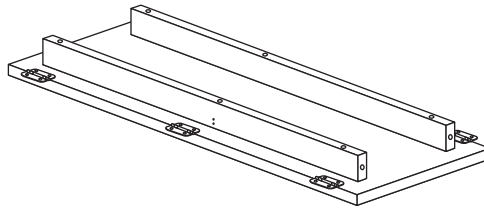
Additional Guidance

- Assemble all parts and bolts loosely during assembly, only once the product is complete should you fully tighten the bolts.
- Regularly check and ensure that all bolts and fittings are tightened properly.
- This product is compliant BS12521

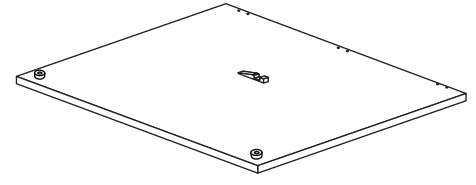
Parts



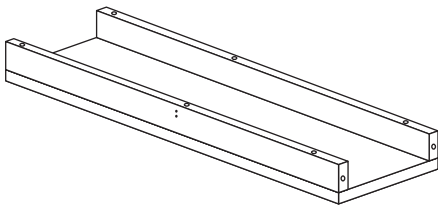
① Leg x2



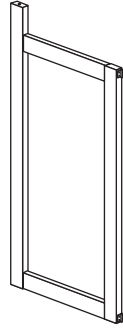
② Table top center panel with apron



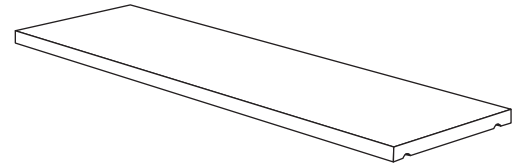
③ Table top leaf x2



④ Bottom panel



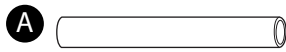
⑤ Leg support x2



⑥ Shelf

Fittings (Shown to scale)

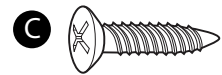
Bag 1



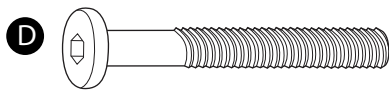
A Metal Pin x 4



B Felt Pad x 4



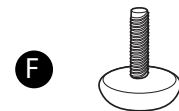
C 16mm Screw x 20



D M6 x 40mm Bolt x 8

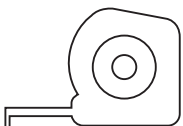


E Allen Key x 1

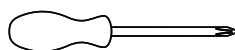


F Adjustable Leveler x 2

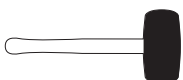
Tools required



Ruler/tape measure

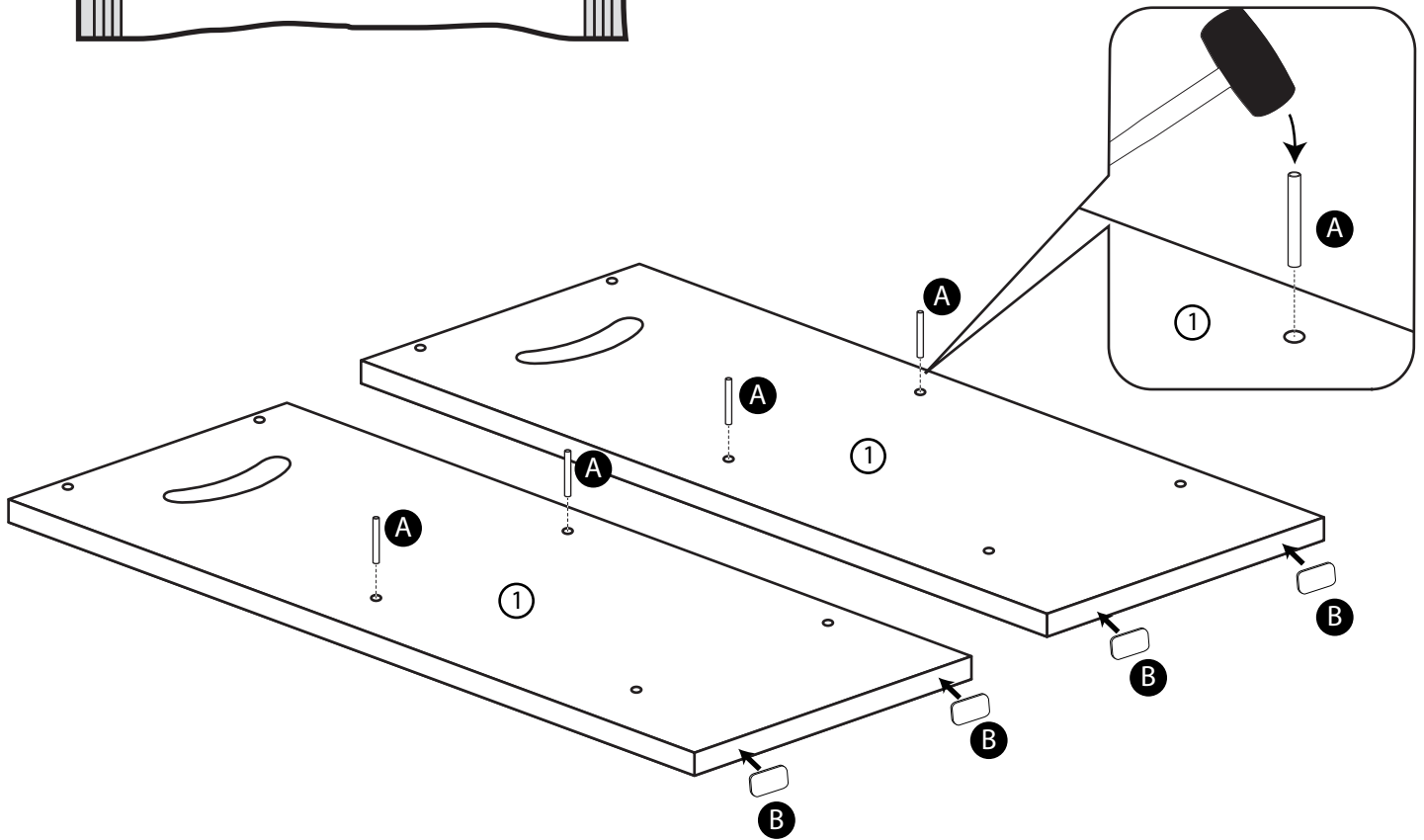
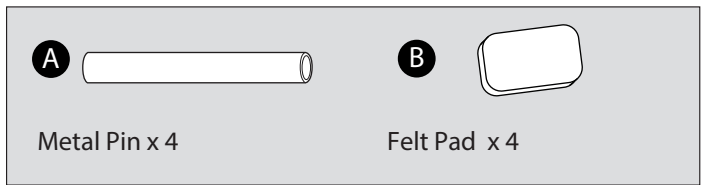
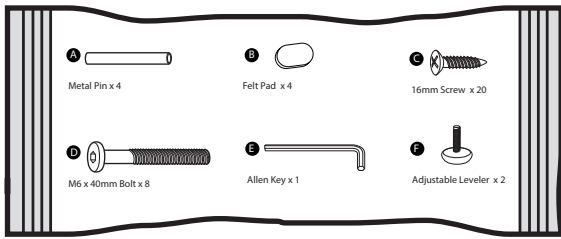


Phillips screwdriver (small & medium)

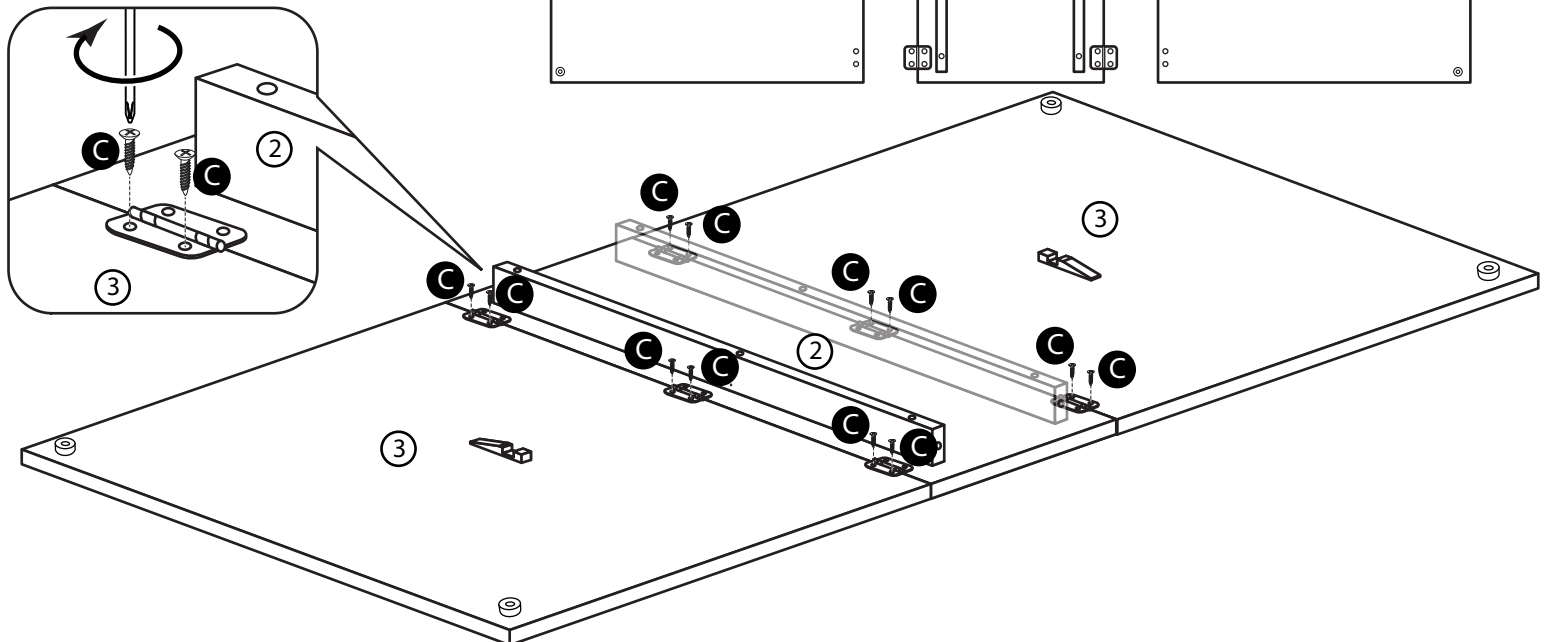
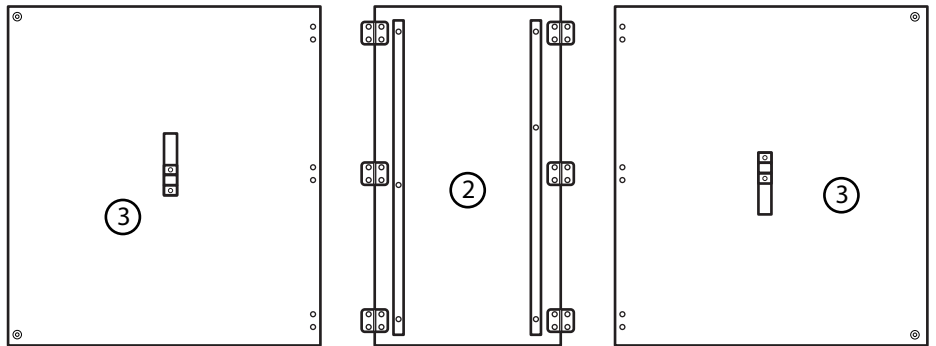
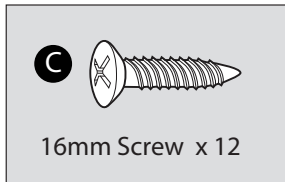


Mallet

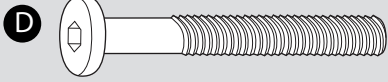
1



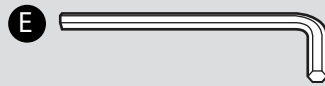
2



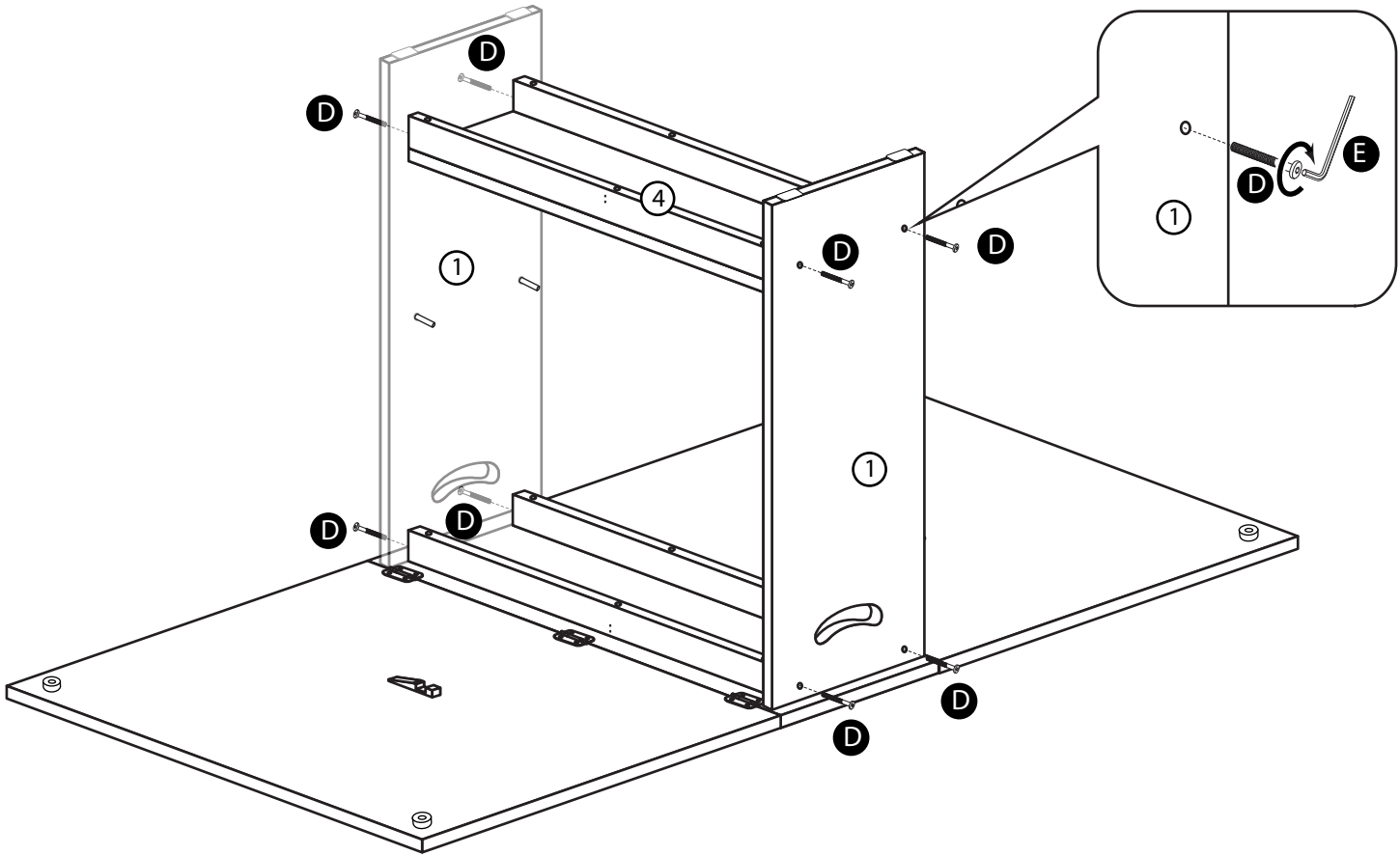
3



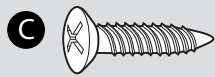
M6 x 40mm Bolt x 8



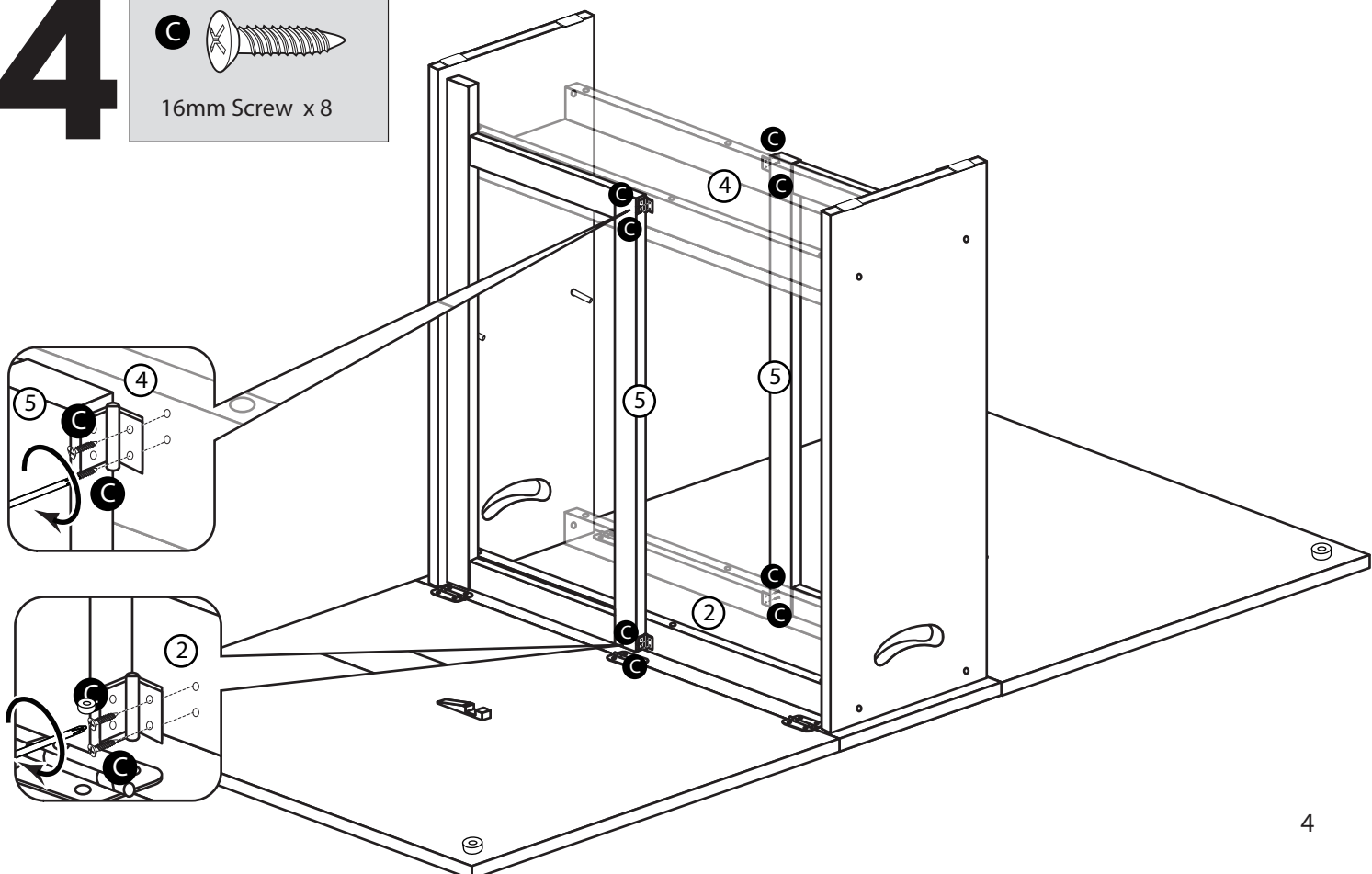
Allen Key x 1



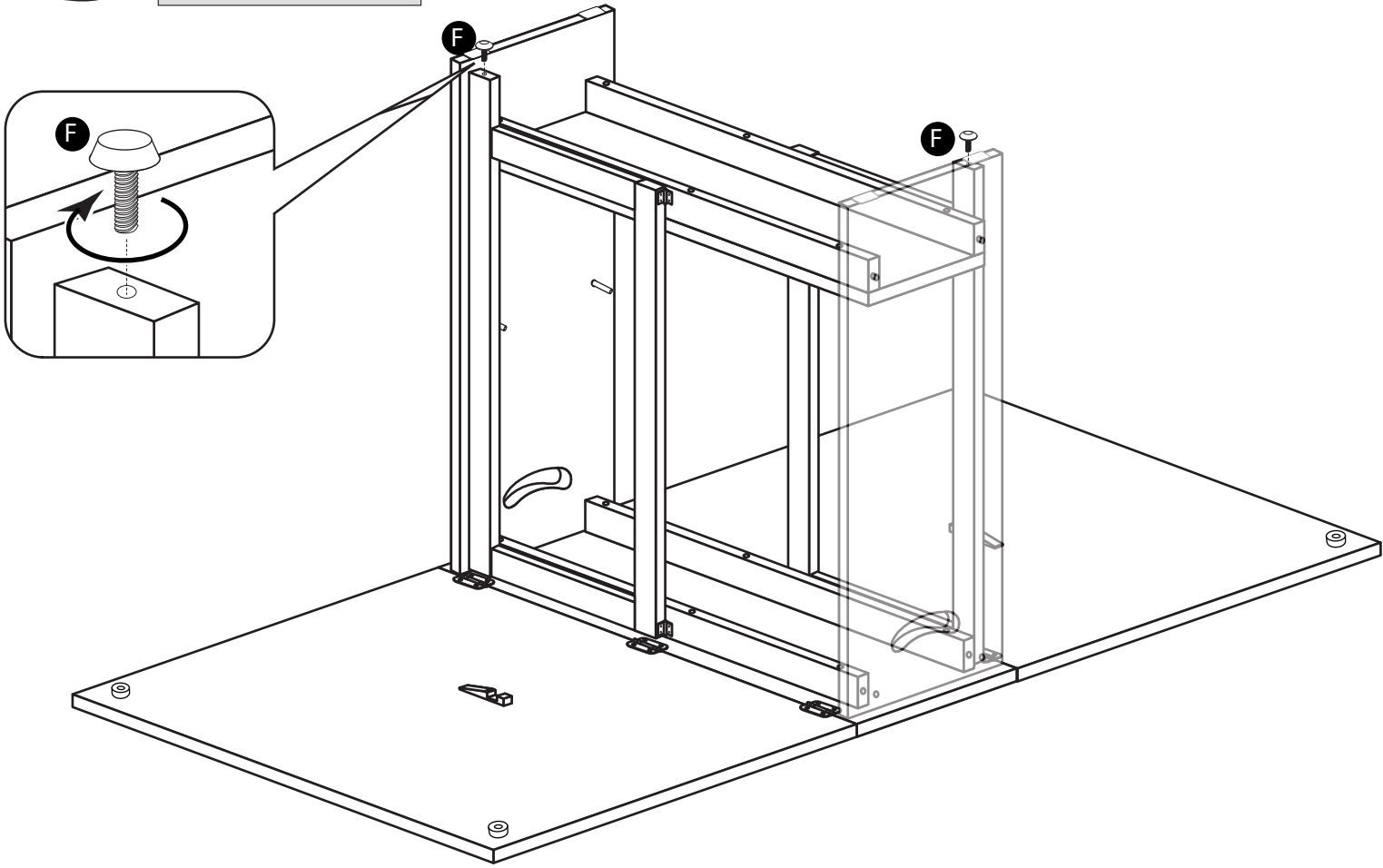
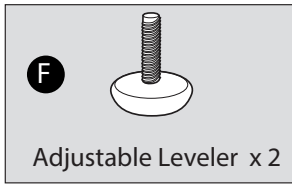
4



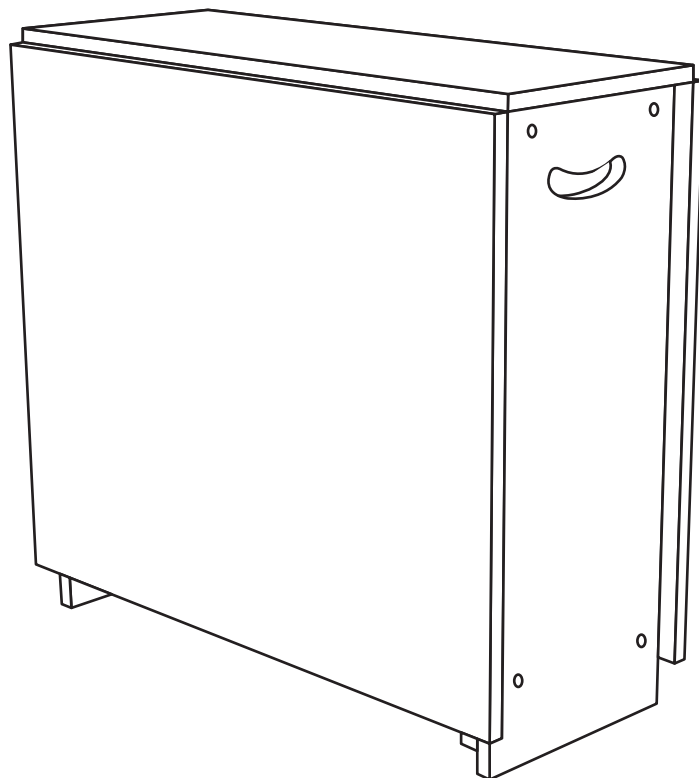
16mm Screw x 8



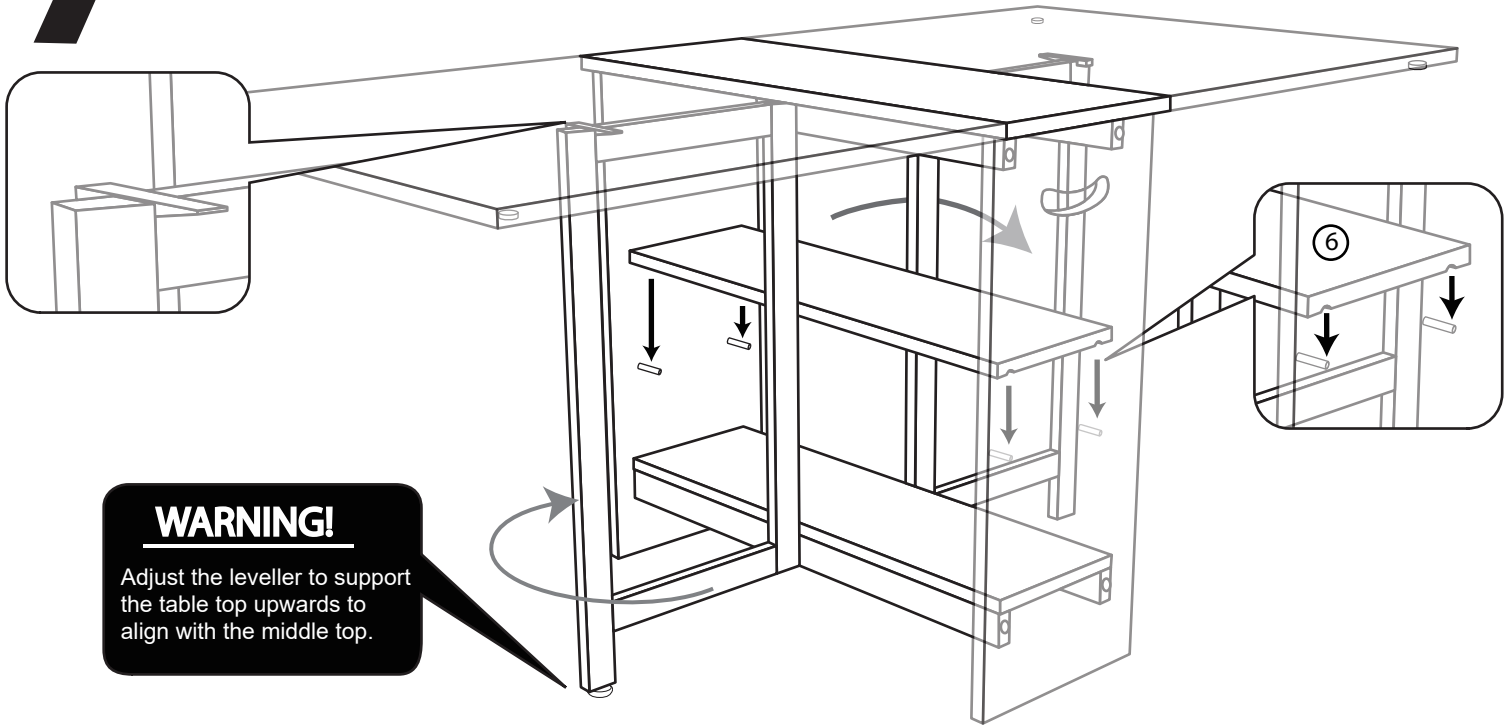
5



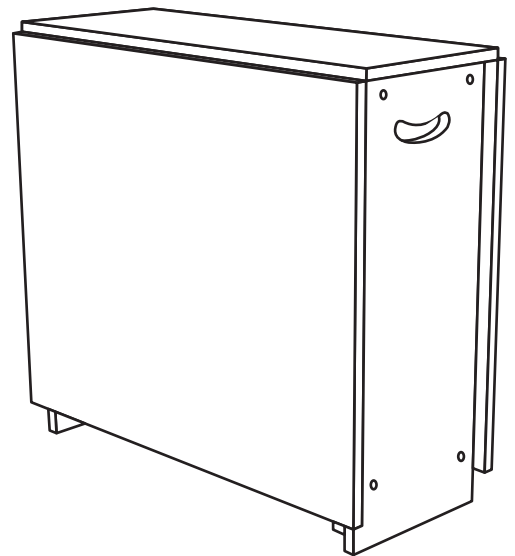
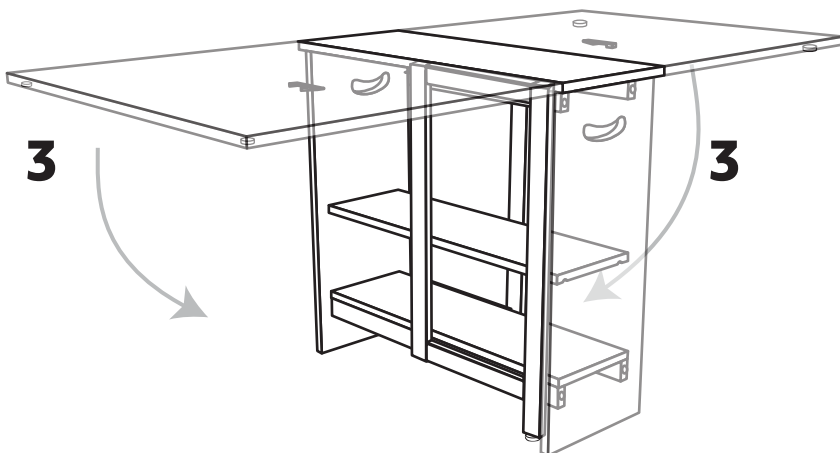
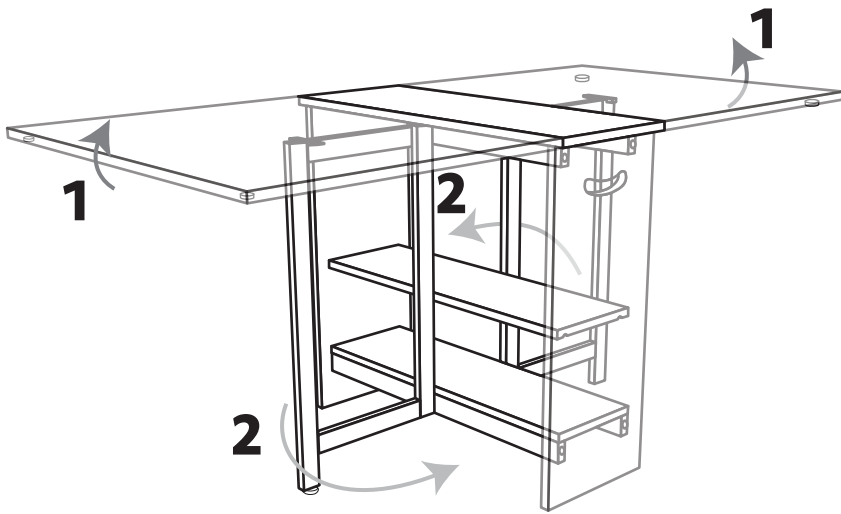
6



7



WARNING!
Adjust the leveller to support the table top upwards to align with the middle top.



Assembly complete. 6