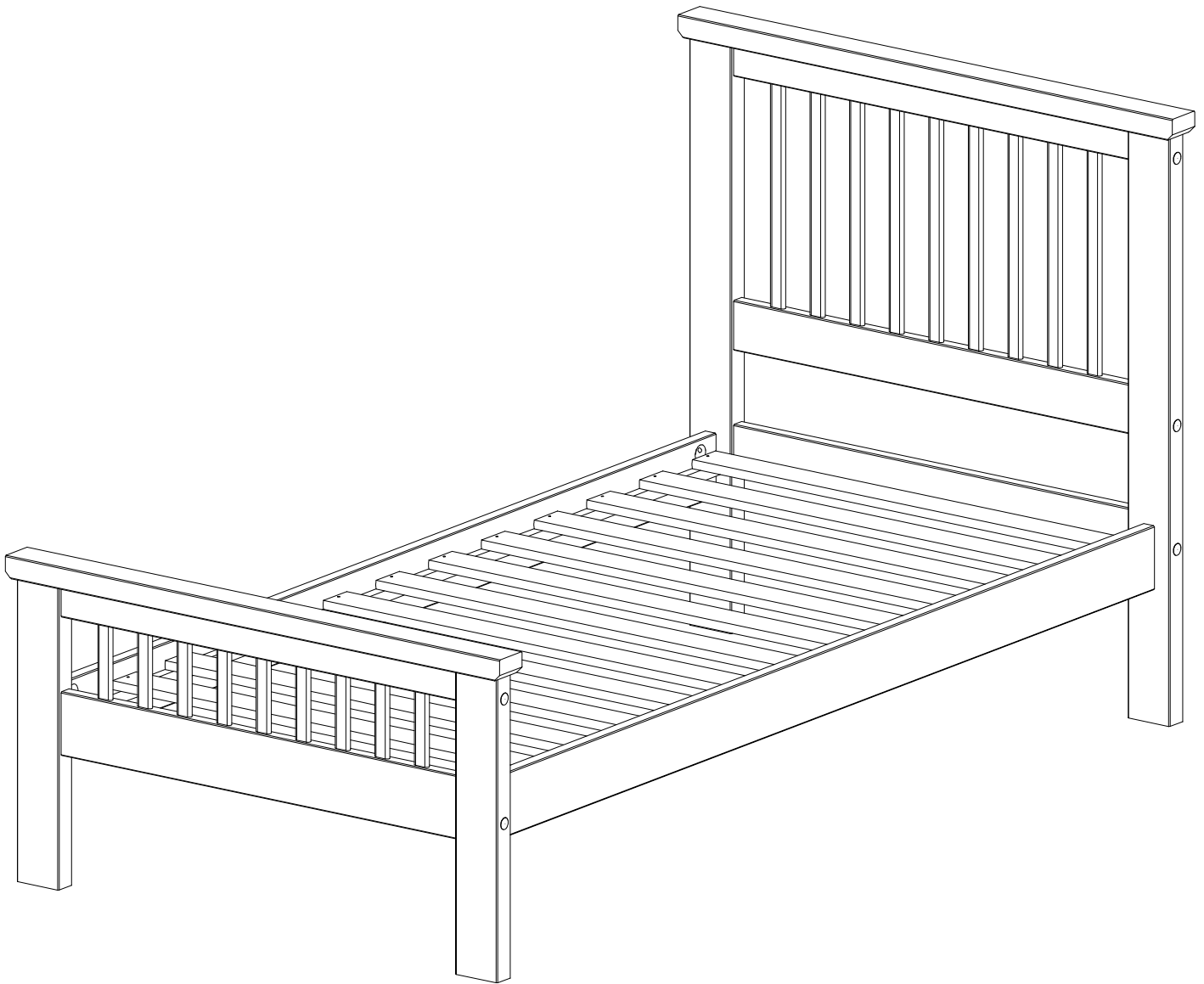



Aubrey



Spare Parts

 www.argos-support.co.uk

 Help@ClickSpares.co.uk

 0370 112 1928

Customer Support

 0345 640 2020

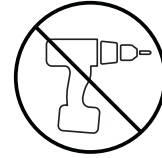


Safety and CareAdvice

| | | |
|------------------------|---------------------|---------|
| Product Details | AUBREY 3FT WHITE | 4742003 |
| | AUBREY 3FT OAK | 3441570 |
| | AUBREY 3FT TWO TONE | 3368158 |
| | AUBREY 3FT CCOAL | 3836556 |

IMPORTANT, RETAIN FOR FUTURE REFERENCE: READ CAREFULLY.

- Keep children and animals away from the work area, small parts could choke if swallowed.
- Assemble the item as close to its final position (in the same room) as possible.
- Assemble on a soft level surface to avoid damaging the unit or your floor.
- We do not recommend the use of power drill/drivers for inserting screws as this could damage the unit. Only use hand screwdrivers.
- Parts of the assembly will be easier with 2 people.
- Dispose of all packaging carefully and responsibly.



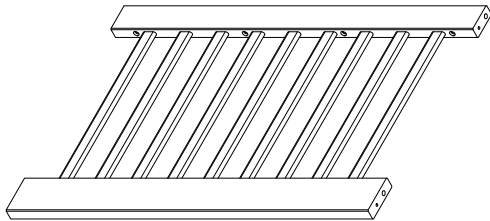
Care and maintenance

- Use a dry cloth to clean the product, furniture polish is not recommended.
- From time to time check that there are no loose screws, nuts or bolts. If there are please re-tighten.
- This product should not be discarded with household waste. Take to your local authority waste disposal centre.

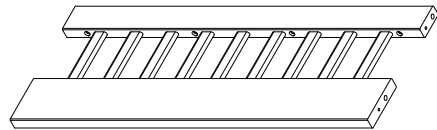
Additional Guidance

- Assemble all parts and bolts loosely during assembly, only once the product is complete should you fully tighten the bolts.
- Regularly check and ensure that all bolts and fittings are tightend properly.
- Maximum user weight 100kg
- This product is compliant En1725

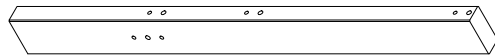
Panels



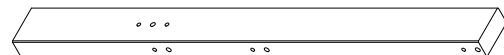
1 Headboard Grid
(852 x 558mm)



2 Footboard Grid
(852 x 314mm)



3 Headboard Right Foot
(1060 x 90mm)



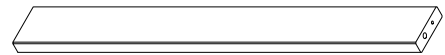
4 Headboard Left Foot
(1060 x 90mm)



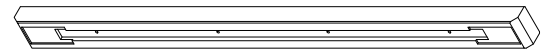
5 Footboard Right Foot
(550 x 90mm)



6 Footboard Left Foot
(550 x 90mm)



7 Headboard Bottom Rail
(852 x 90mm)



8 Top Rail
(1062 x 65mm) (x2)



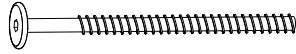
9 Side Rail
(1900 x 115mm) (x2)



10 Slats
(915 x 68mm) (x13)

Fittings

A



80mm Bolt x 8
9203F

B



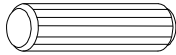
Half-Moon Nut 1/4 x 04
6000

C



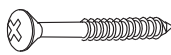
Allen Key

D



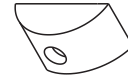
40mm Wooden dowel x 14
10004

E



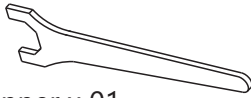
35mm Screw x 26
9013

F



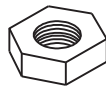
Washer 1/4 x 04
6001

G



Spanner x 01

H



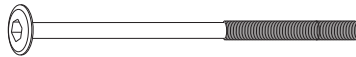
Nut 1/4 x 04
6100

I



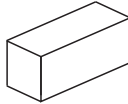
70mm Headless Bolt x 4
9301

J



90mm Bolt 1/4 x 04
9205

L



Spacer 84mm x 02
11501

M



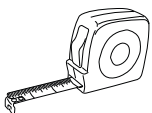
Screw Cap x 10

N

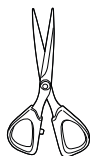


120mm Bolt x 10
9207D

Tools required



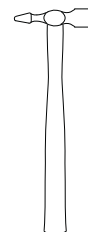
Ruler/tape
measure



Scissors



Phillips screwdriver
(small & medium)



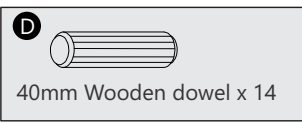
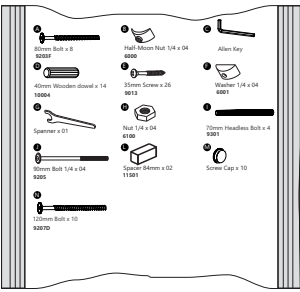
Small
hammer



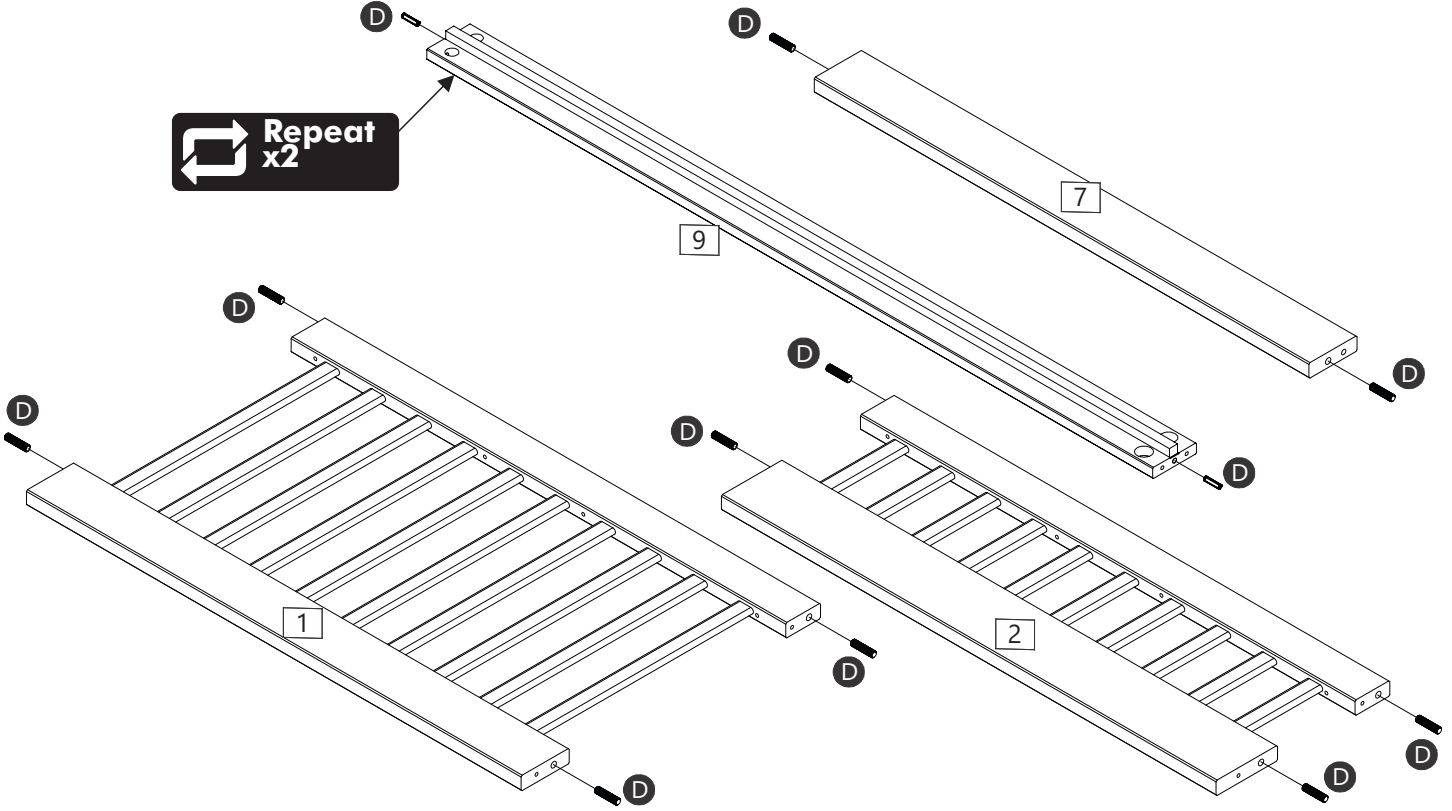
Eye protection
(when using a
hammer or glue)

1

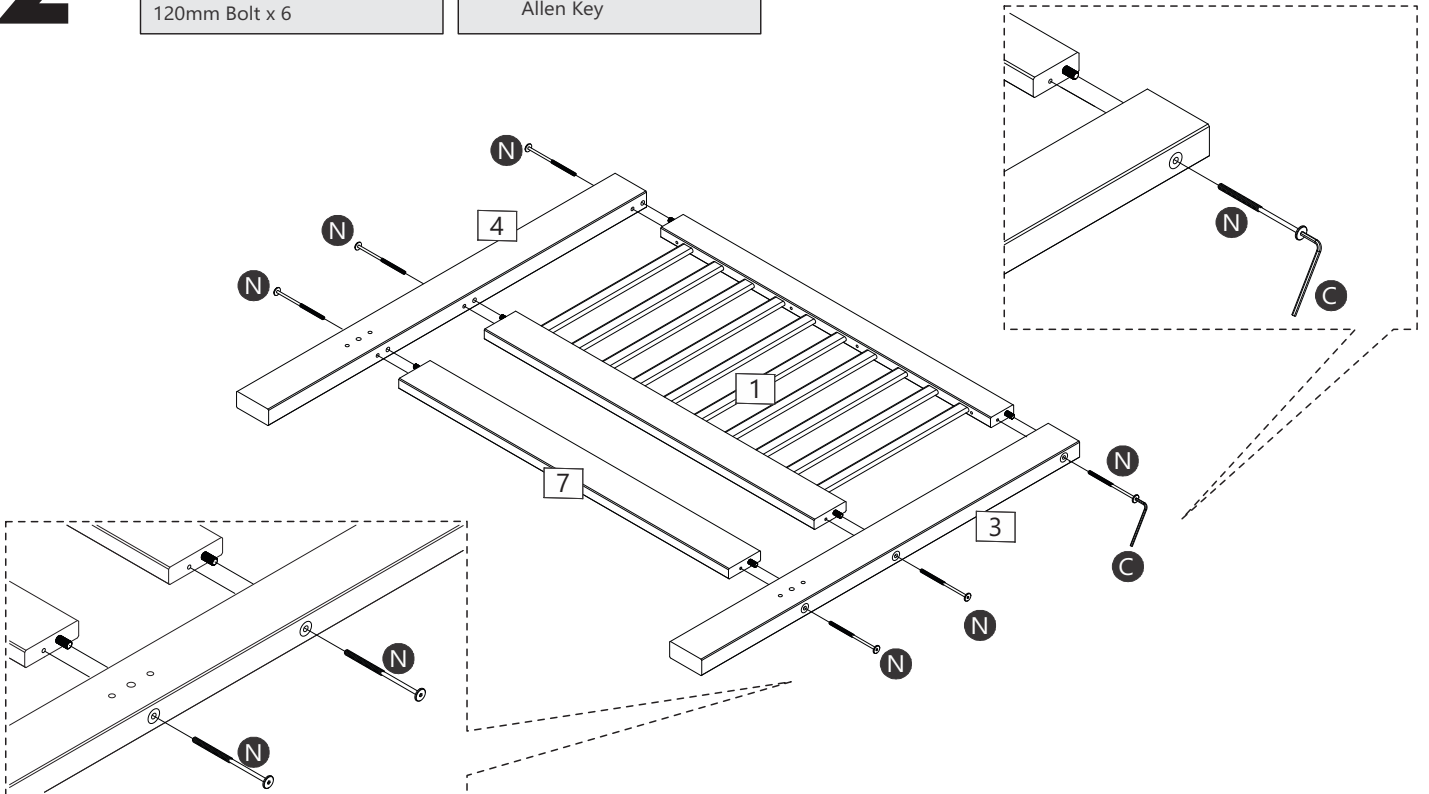
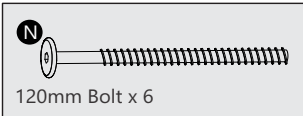
Fittings



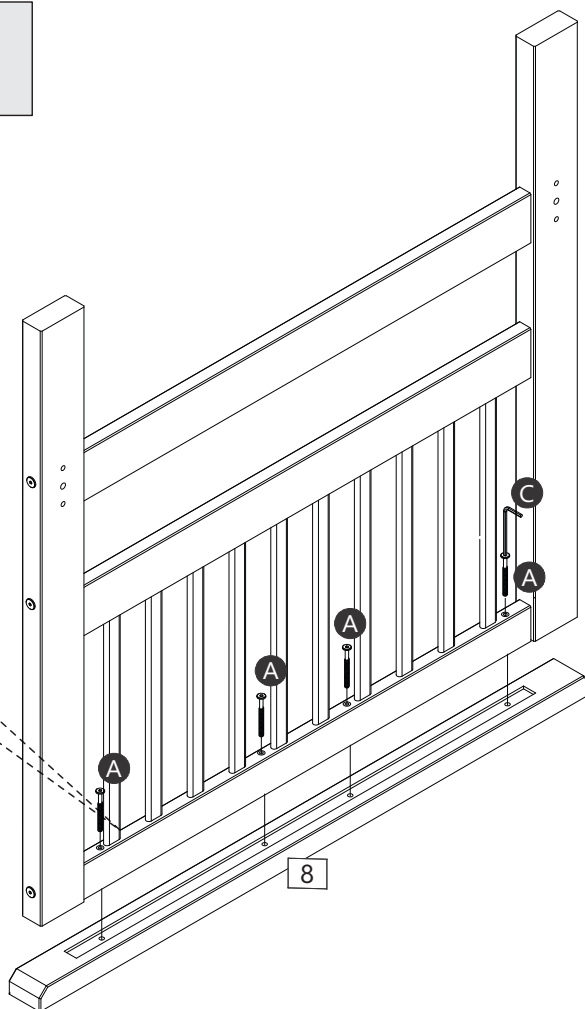
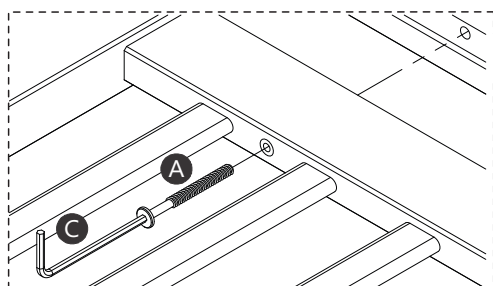
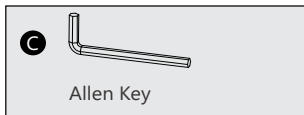
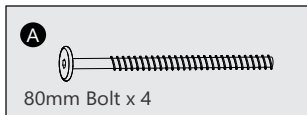
Repeat
x2



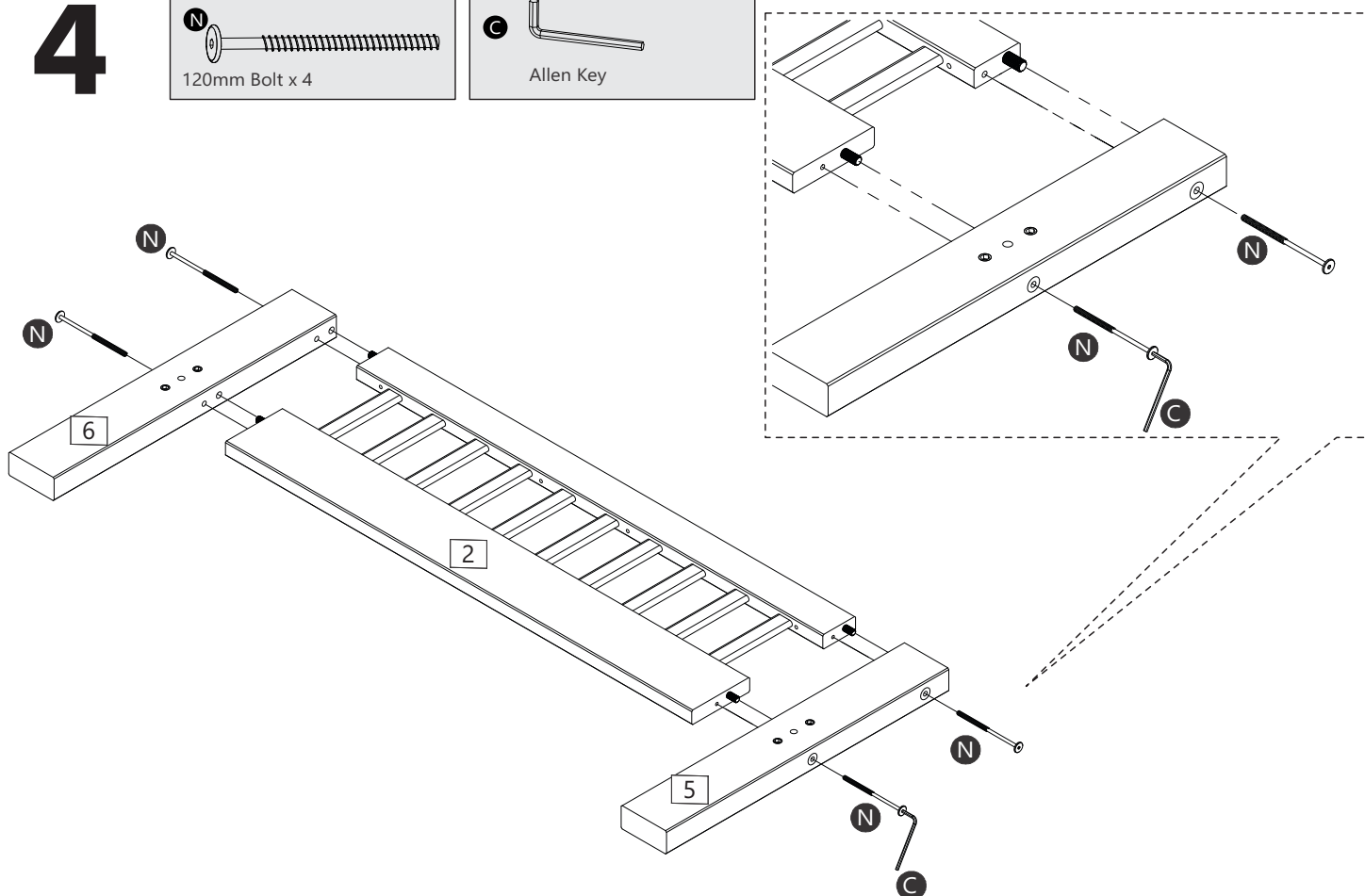
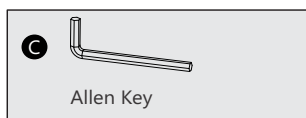
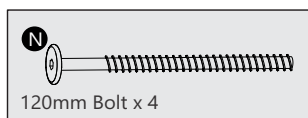
2



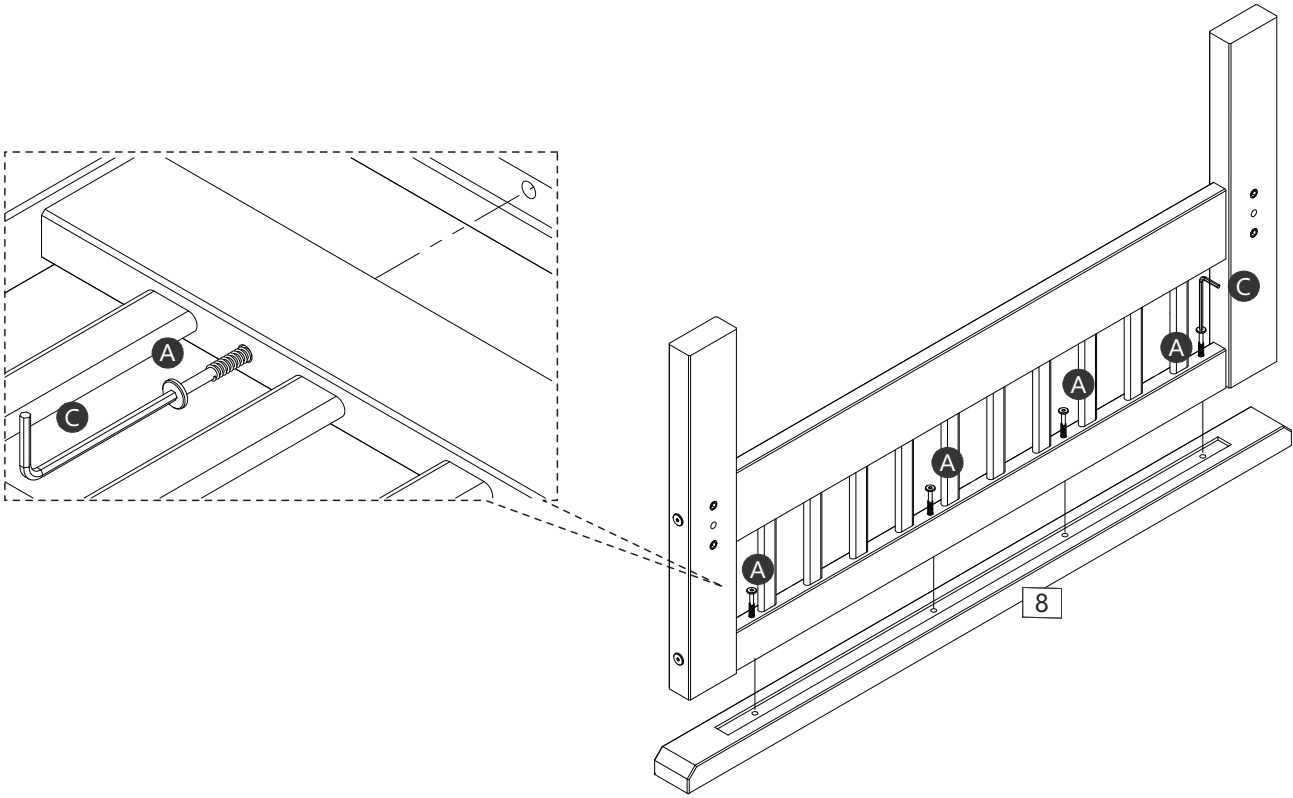
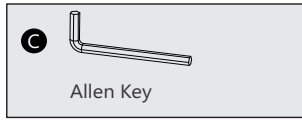
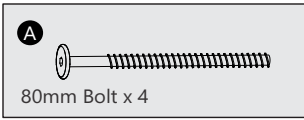
3



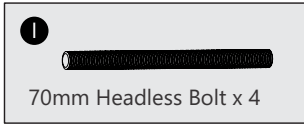
4



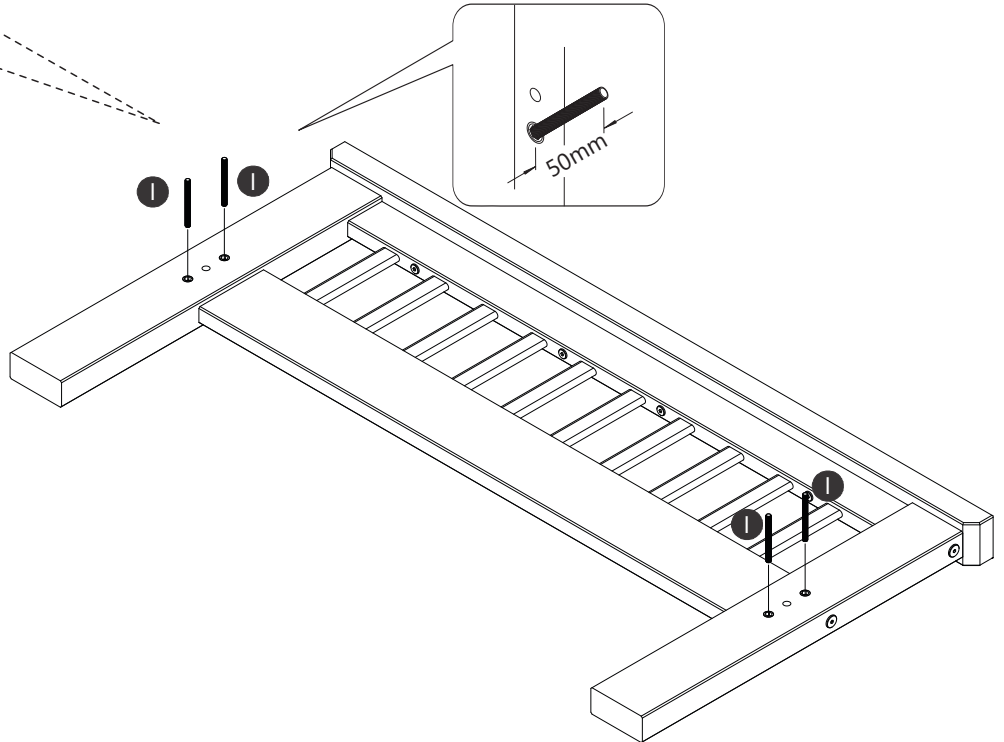
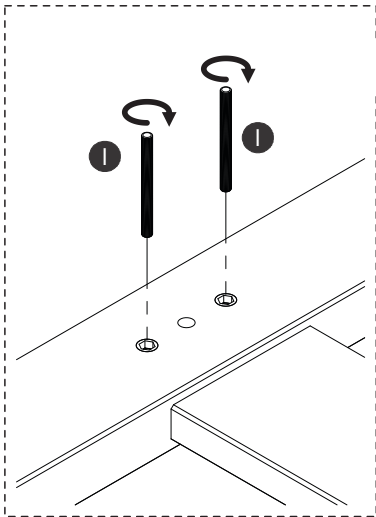
5



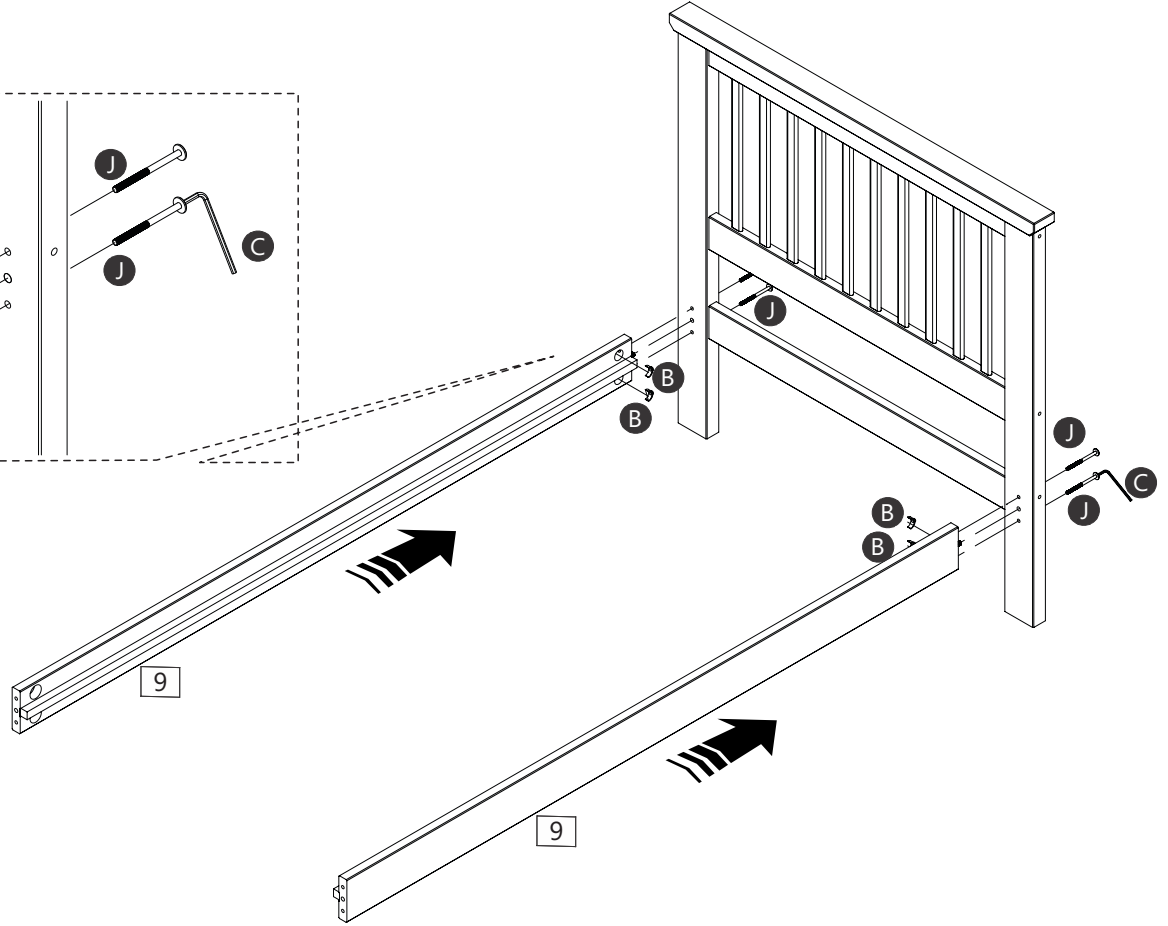
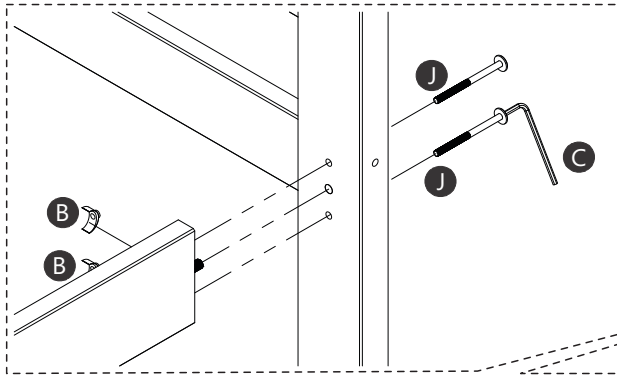
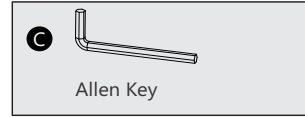
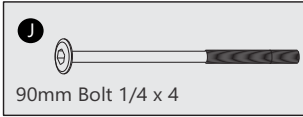
6



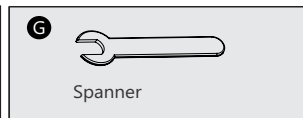
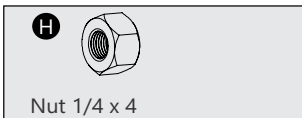
WARNING!



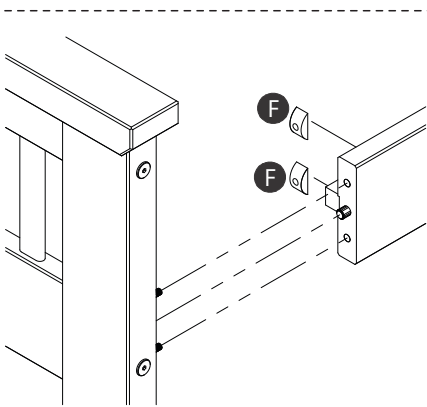
7



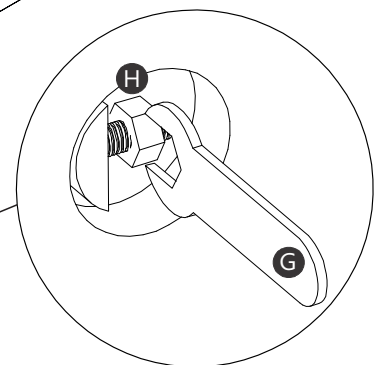
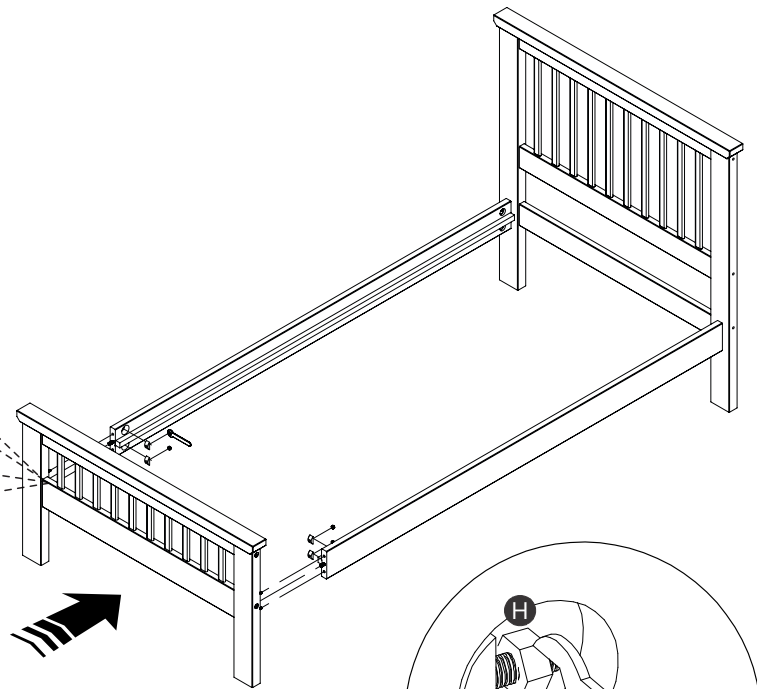
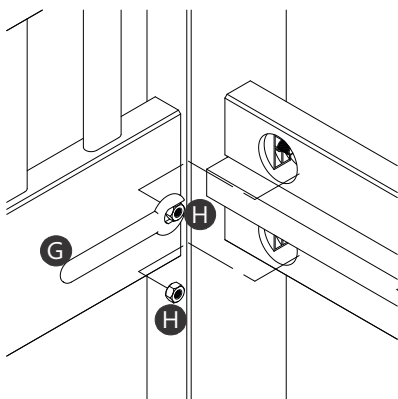
8



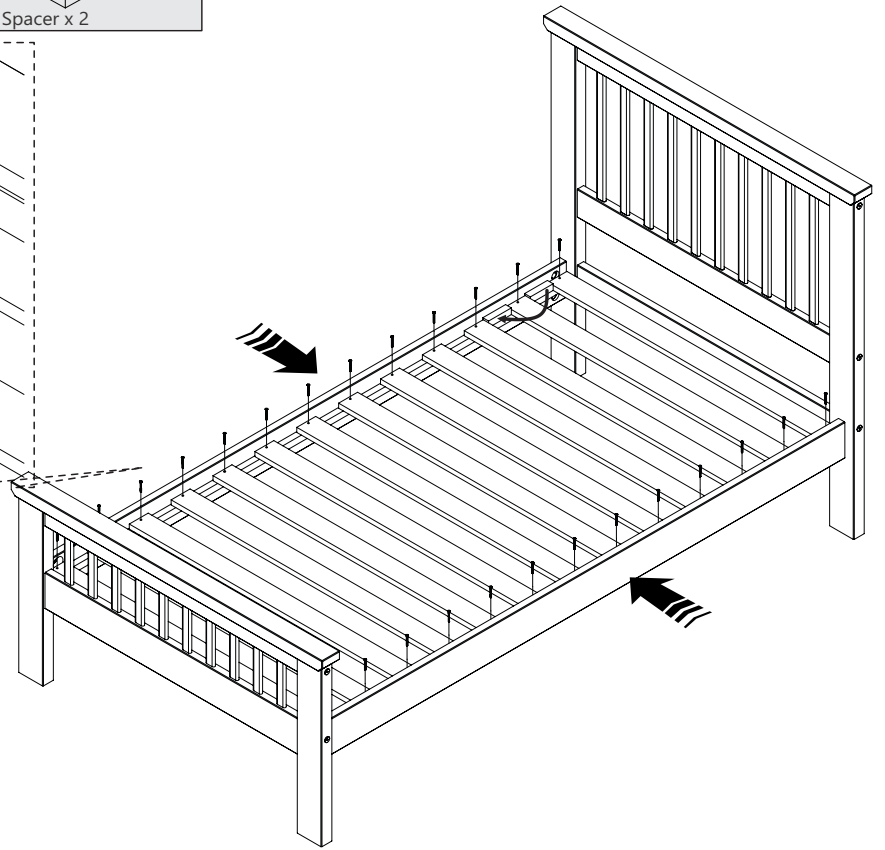
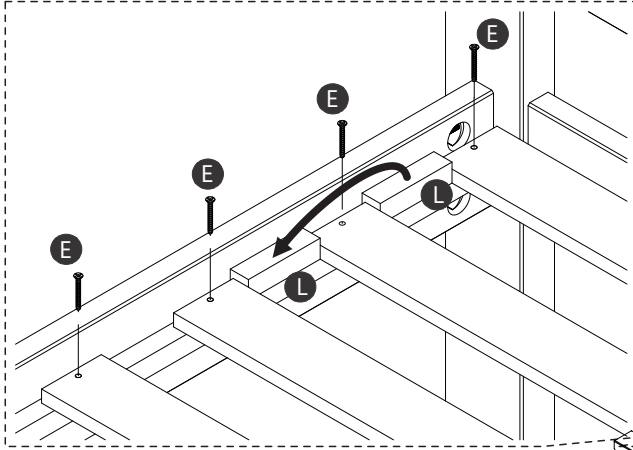
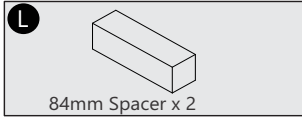
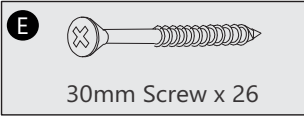
a:



b:



9



10

