

Mid Back Office Gaming Chair



IMPORTANT - Retain these instructions for future reference

Spare Parts

 www.argos-support.co.uk

 Help@ClickSpares.co.uk

 0370 112 1928

Customer Support

 0345 640 2020



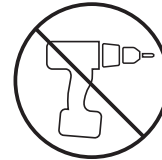
Safety and Care Advice

Product Details

6088734	Black	7037265	Blue/Black
7248353	Red/Black	8036478	White/Black
7593606	Grey	3429963	White/Pink

IMPORTANT, RETAIN FOR FUTURE REFERENCE: READ CAREFULLY.

- Keep children and animals away from the work area, small parts could choke if swallowed.
- Make sure you have enough space to layout the parts before starting.
- This product has been constructed to be used in the domestic environment only and not for commercial purposes.
- Assemble the item as close to its final position (in the same room) as possible.
- Assemble on a soft level surface to avoid damaging the unit or your floor.



- We do not recommend the use of power drill/drivers for inserting screws as this could damage the unit. Only use hand screwdrivers.
- Parts of the assembly will be easier with 2 people.
- Dispose of all packaging carefully and responsibly.

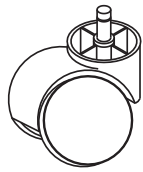
Care and maintenance

- Only clean using a damp cloth and mild detergent. Do not use abrasive cleaners.
- Use a dry cloth to clean the product, furniture polish is not recommended.
- From time to time check that there are no loose screws, nuts or bolts. If there are please re-tighten.
- This product should not be discarded with household waste. Take to your local authority waste disposal centre.

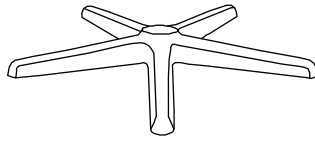
Additional Guidance

- Assemble all parts and bolts loosely during assembly, only once the product is complete should you fully tighten the bolts.
- Regularly check and ensure that all bolts and fittings are tightend properly.
- Maximum user weight 110kg
- This product is compliant EN12520

Chair Panels



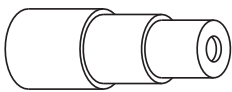
1 Castors x5



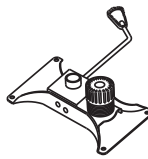
2 Base x1



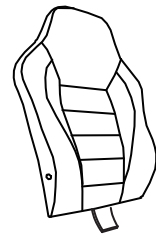
3 Gas lift x1(120MM)



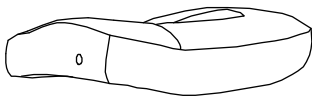
4 Gas lift cover x1



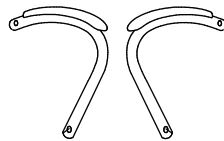
5 Seat plate x1



6 Backrest x1



7 Seat x1

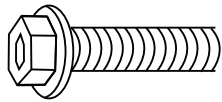


8 Armrest x2

Fittings (Shown to scale)

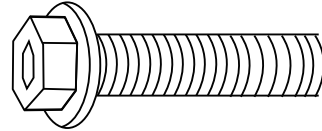
Bag 1

A



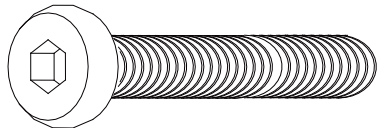
M6x20mm x4

B



M8x30mm x4

C



M8x35mm x4

D



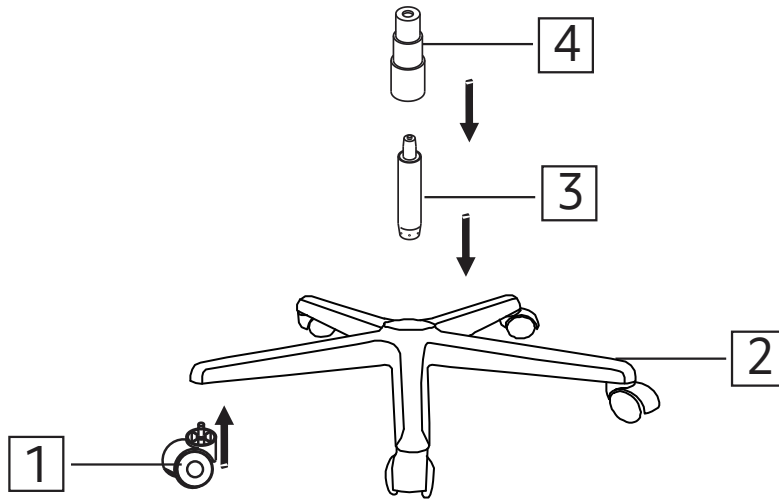
CAPS x4

E

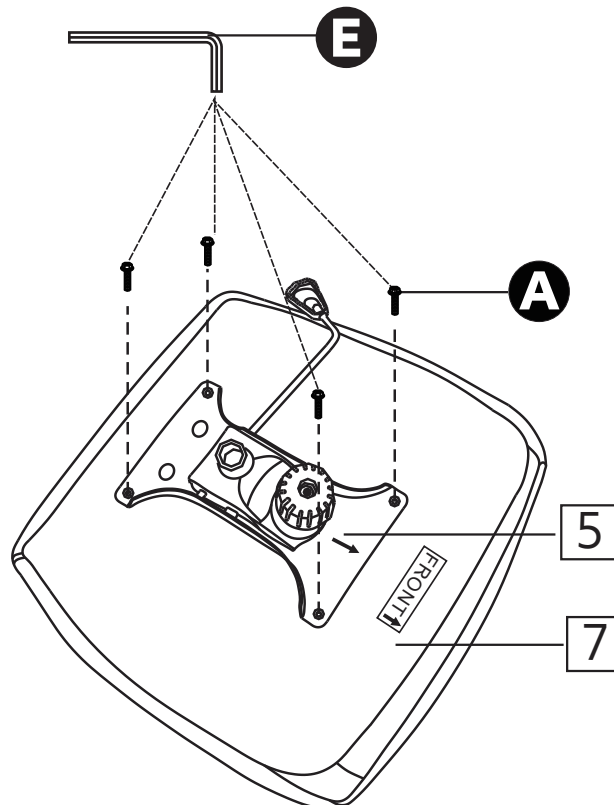
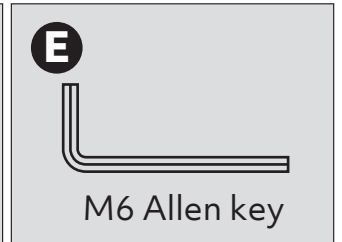
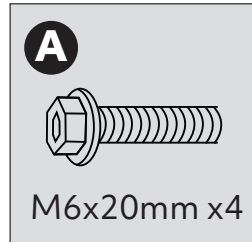
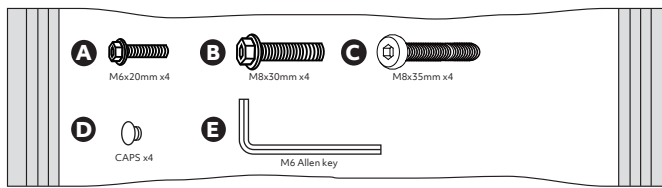


M6 Allen key

1

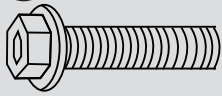


2



3

B

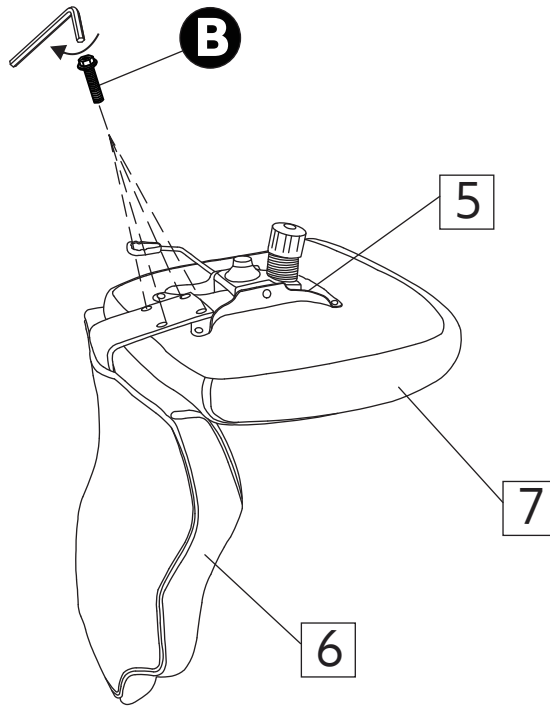


M8x30mm x4

E

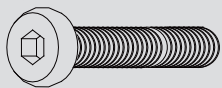


M6 Allen key



4

C

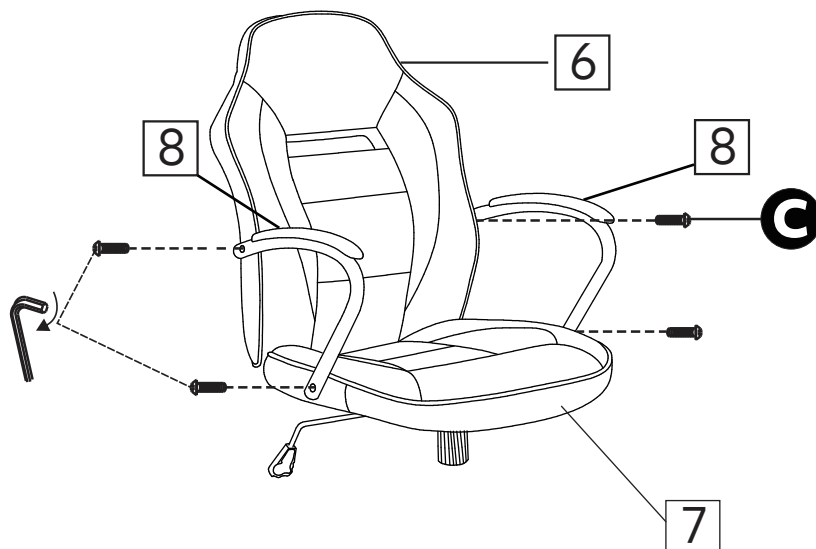


M8x35mm x4

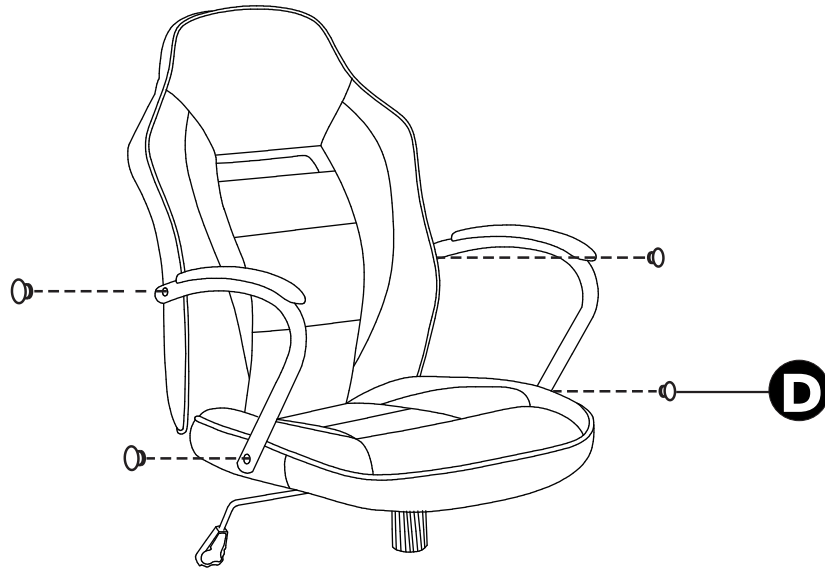
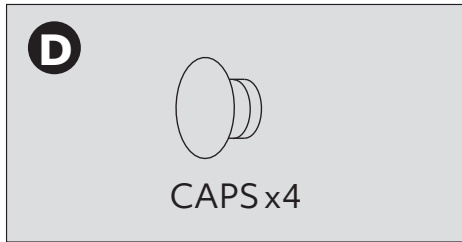
E



M6 Allen key



5



6





Assemble is complete.