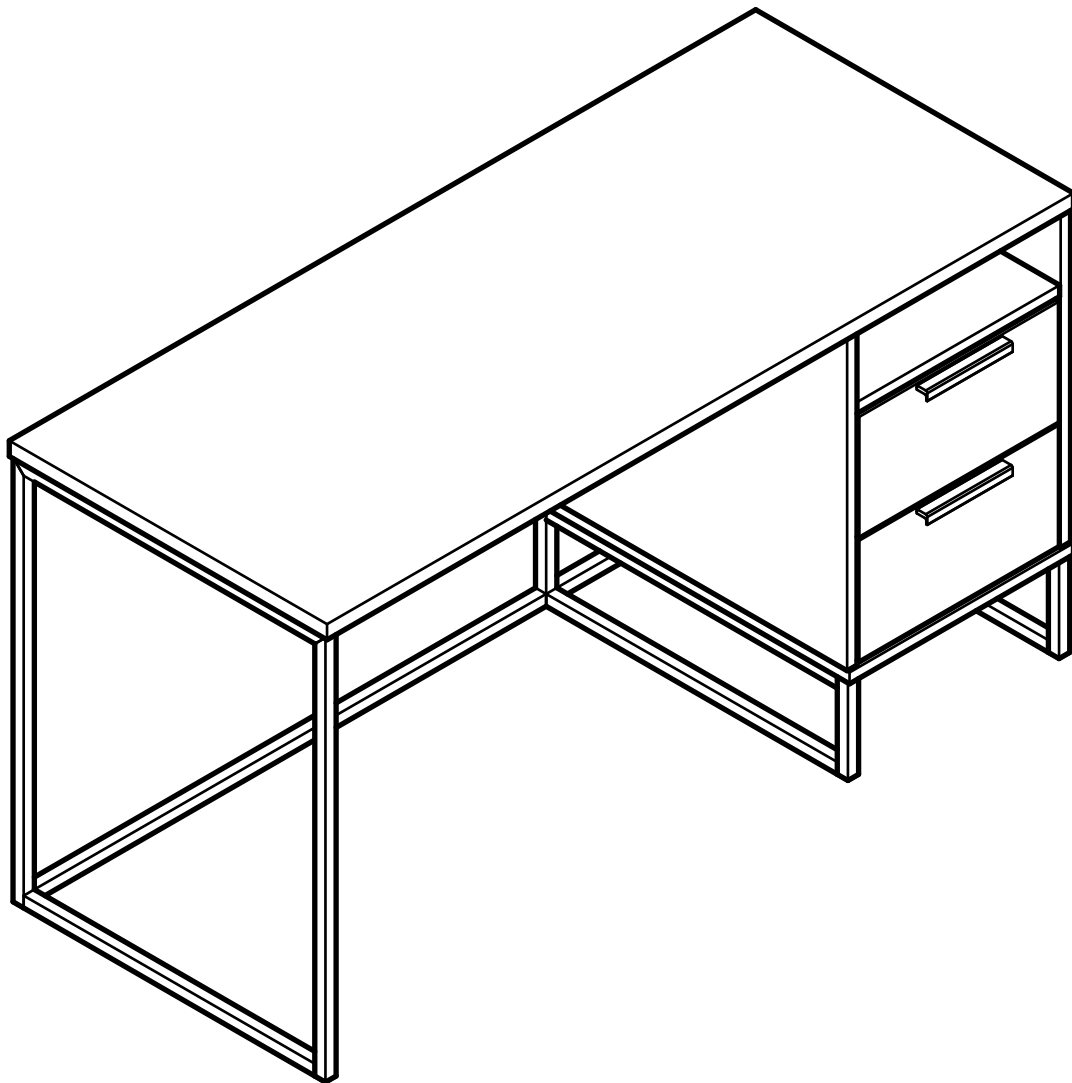


# Nomad

 habitat



## Spare Parts

 [www.argos-support.co.uk](http://www.argos-support.co.uk)

 [Help@ClickSpares.co.uk](mailto:Help@ClickSpares.co.uk)

 0370 112 1928

## Customer Support

 0345 640 2020



# Safety and Care Advice

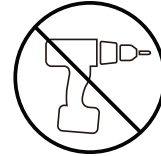
---

## Product Details

Desk  
Oak 7277290  
Anthracite 3429107

## IMPORTANT, RETAIN FOR FUTURE REFERENCE: READ CAREFULLY.

- Keep children and animals away from the work area, small parts could choke if swallowed.
- Assemble the item as close to its final position (in the same room) as possible.
- Assemble on a soft level surface to avoid damaging the unit or your floor.
- We do not recommend the use of power drill/drivers for inserting screws as this could damage the unit. Only use hand screwdrivers.
- Parts of the assembly will be easier with 2 people.
- Dispose of all packaging carefully and responsibly.



## Care and maintenance

---

- Only clean using a damp cloth and mild detergent. Do not use abrasive cleaners.
- Use a dry cloth to clean the product, furniture polish is not recommended.
- From time to time check that there are no loose screws, nuts or bolts. If there are please re-tighten.
- This product should not be discarded with household waste. Take to your local authority waste disposal centre.

## WARNING

---

In order to prevent overturning this product must be used with the wall attachment device provided.

## Additional Guidance

---

- Assemble all parts and bolts loosely during assembly, only once the product is complete should you fully tighten the bolts.
- Regularly check and ensure that all bolts and fittings are tighten properly.
- This product is compliant EN12521 & BS4875-7 L2

# Fittings (Shown to scale)

## Bag 1

A



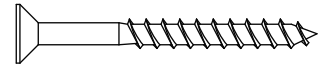
7 x 30mm Screw x 10  
SCR07030

B



5 x 50mm Screw x 6  
SCR05050

C



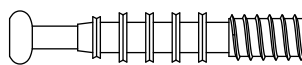
4 x 40mm Screw x 8  
SCR04040

D



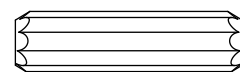
Tube Cover x 6  
CAPO20020-L

E



7 x 39mm Locking Pin x 16  
SCR07039

F



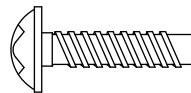
8 x 30mm Dowel x 12  
PGW0830

G



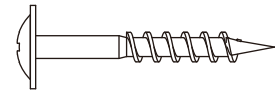
15 x 13mm Locking Nut x 16  
FIT1513000

H



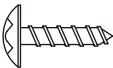
4 x 24mm Screw x 4  
SCR040249

I



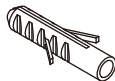
4 x 33mm Screw x 2  
SCR04033

J



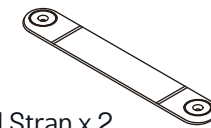
4 x 14.5mm Screw x 2  
SCR04014

K



Wall Plug x 2  
CAPO70350

L



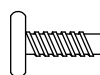
Wall Strap x 2  
ELSRING10015

M



Allen Key x 1  
PAR170973

N



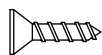
6 x 15mm Screw x 8  
SCR06015-L

O



5 x 37mm Screw x 1  
SCR05037-L

P



3 x 12mm Screw x 24  
SCR03012W

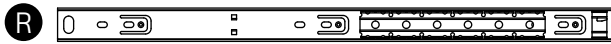
Q



Bracket x 4  
PARBLK112011

# Hardware

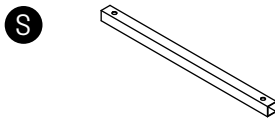
---



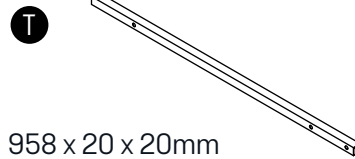
450mm Outside Runner x 4  
SLD2704509



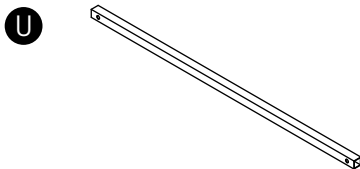
450mm Inside Runner x 4  
SLD2704509



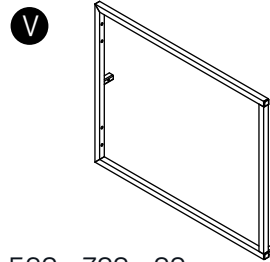
376 x 20 x 20mm  
Bottom Support x 2  
PRM20200376



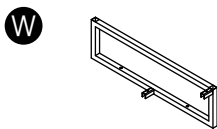
958 x 20 x 20mm  
Lagre Upper Support x 1  
PRM202009582N



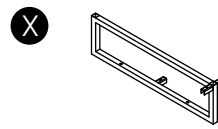
960 x 20 x 20mm  
Lagre Bottom Support x 1  
PRM20200960



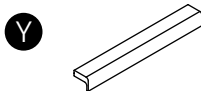
586 x 722 x 20mm  
Lagre Left Post x 1  
PNM722205862



160 x 586 x 20mm  
Right Post x 1  
PNM1602005862



160 x 586 x 20mm  
Left Post x 1  
PNM1602005863A



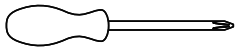
160 x 20 x 16mm Handle x 2  
HUM16160207



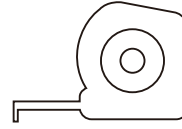
40 x 20 x 20mm Metal Connector x 1  
PRM20200040N

# Tools required

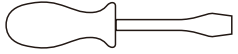
---



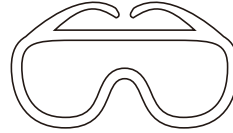
Phillips screwdriver  
(small & medium)



Ruler/tape  
measure



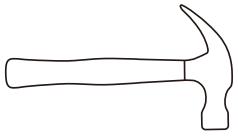
Flat-head screwdriver  
(small & medium)



Eye protection  
(when using a  
hammer or glue)



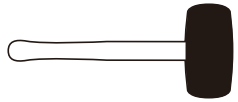
Small  
hammer



Large hammer



Pencil



Mallet



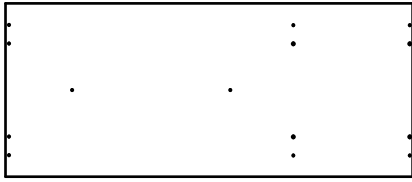
Set Square



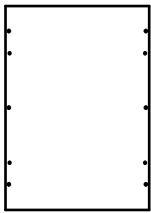
Spirit Level

# Panels

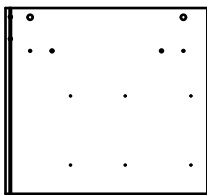
---



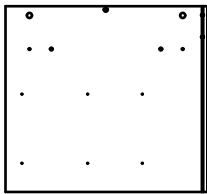
1 Top (1400 x 596mm)



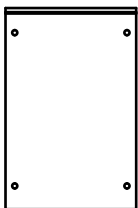
2 Bottom (420 x 596mm)



3 Right Side (590 x 543mm)



4 Left Side (590 x 543mm)



5 Middle Panel (382 x 588mm)



6 Small Back (382 x 118mm)



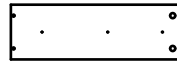
7 Drawer Front (375 x 197mm) (x2)



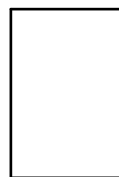
8 Drawer Back (331 x 160mm) (x2)



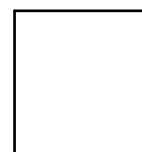
9 Drawer Right Side (500 x 160mm) (x2)



10 Drawer Left Side (500 x 160mm) (x2)



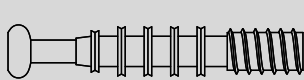
11 Drawer Bottom (340 x 493mm) (x2)




12 Large Back (391 x 416mm)

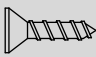
# 1

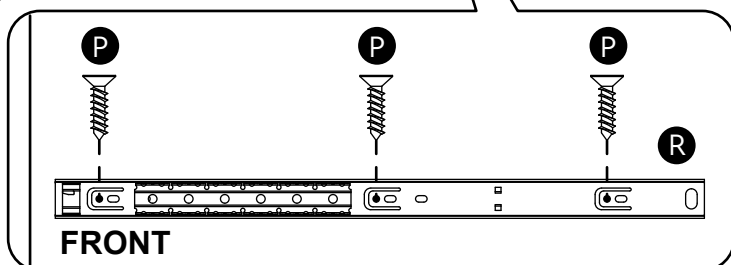
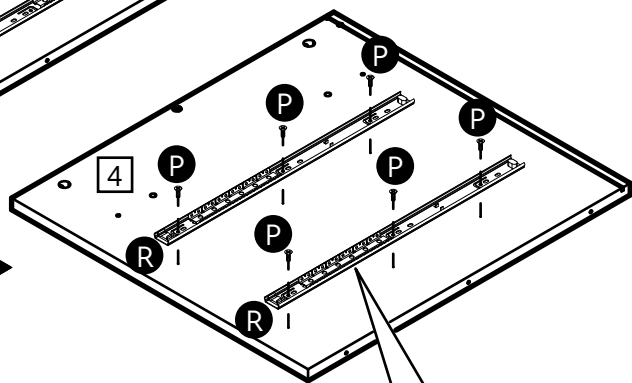
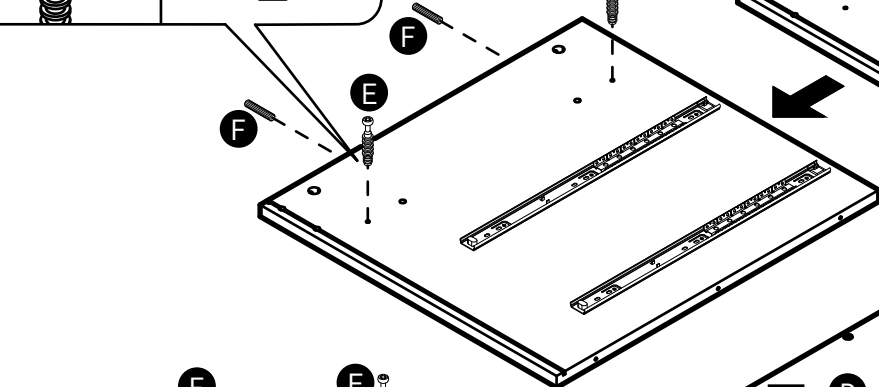
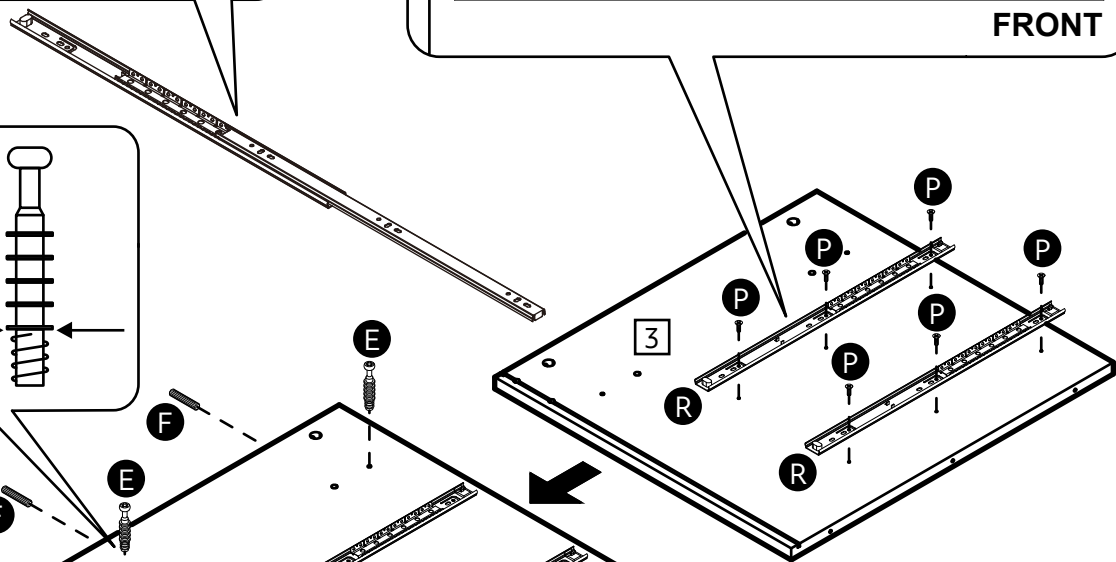
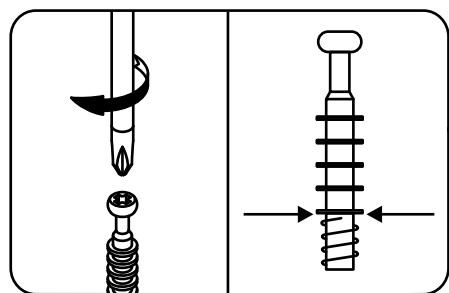
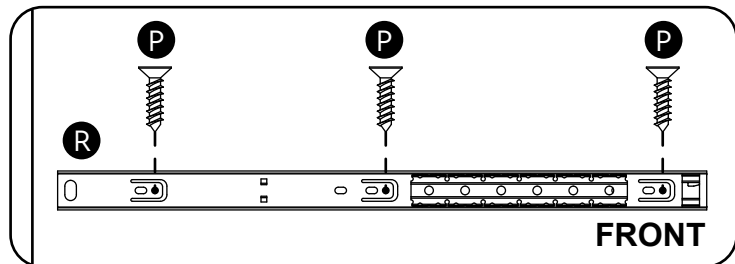
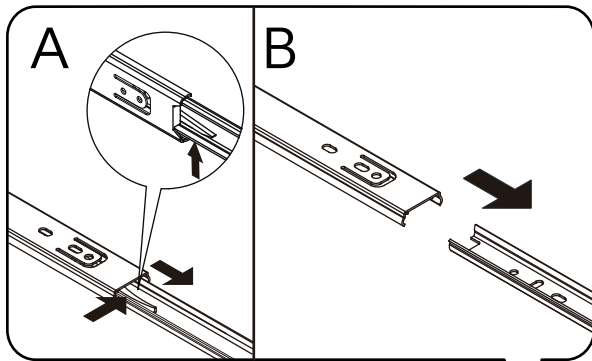
<b>A</b> 7 x 30mm Screw x 10 SCW03003	<b>B</b> 5 x 50mm Screw x 6 SCW05006	<b>C</b> 4 x 40mm Screw x 8 SCW04008
<b>D</b> Tube Cover x 6 SCW03004	<b>E</b> 7 x 38mm Locking Pin x 16 SCW03816	<b>F</b> 8 x 30mm Dowel x 12 SCW03012
<b>G</b> 15 x 13mm Locking Nut x 16 FIT151300	<b>H</b> 4 x 24mm Screw x 4 SCW042404	<b>I</b> 4 x 33mm Screw x 2 SCW043302
<b>J</b> 4 x 14.5mm Screw x 2 SCW041402	<b>K</b> Wall Plug x 2 CAPO10250	<b>L</b> Wall Strap x 2 ELB0401000
<b>M</b> Allen Key x 1 FAW010013	<b>N</b> 6 x 15mm Screw x 8 SCW061508-L	<b>O</b> 5 x 37mm Screw x 1 SCW053701-L
<b>P</b> 3 x 12mm Screw x 24 SCW031224	<b>Q</b> Bracket x 4 FAW010201	

**E**   
7 x 39mm Locking Pin x 4

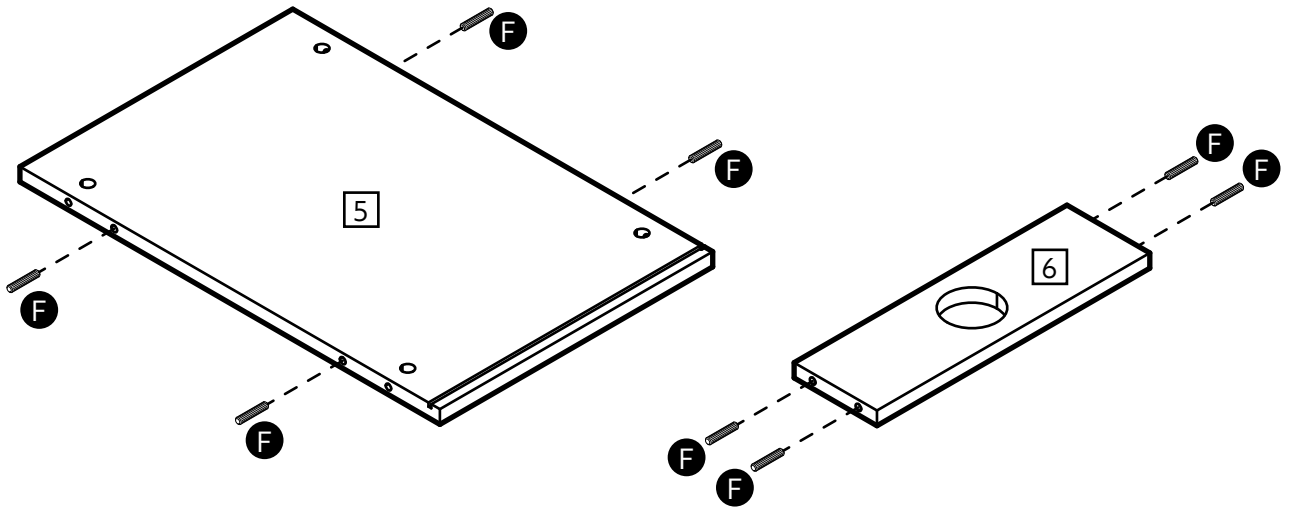
**F**   
8 x 30mm Dowel x 4

**R**   
450mm Outside Runner x 4

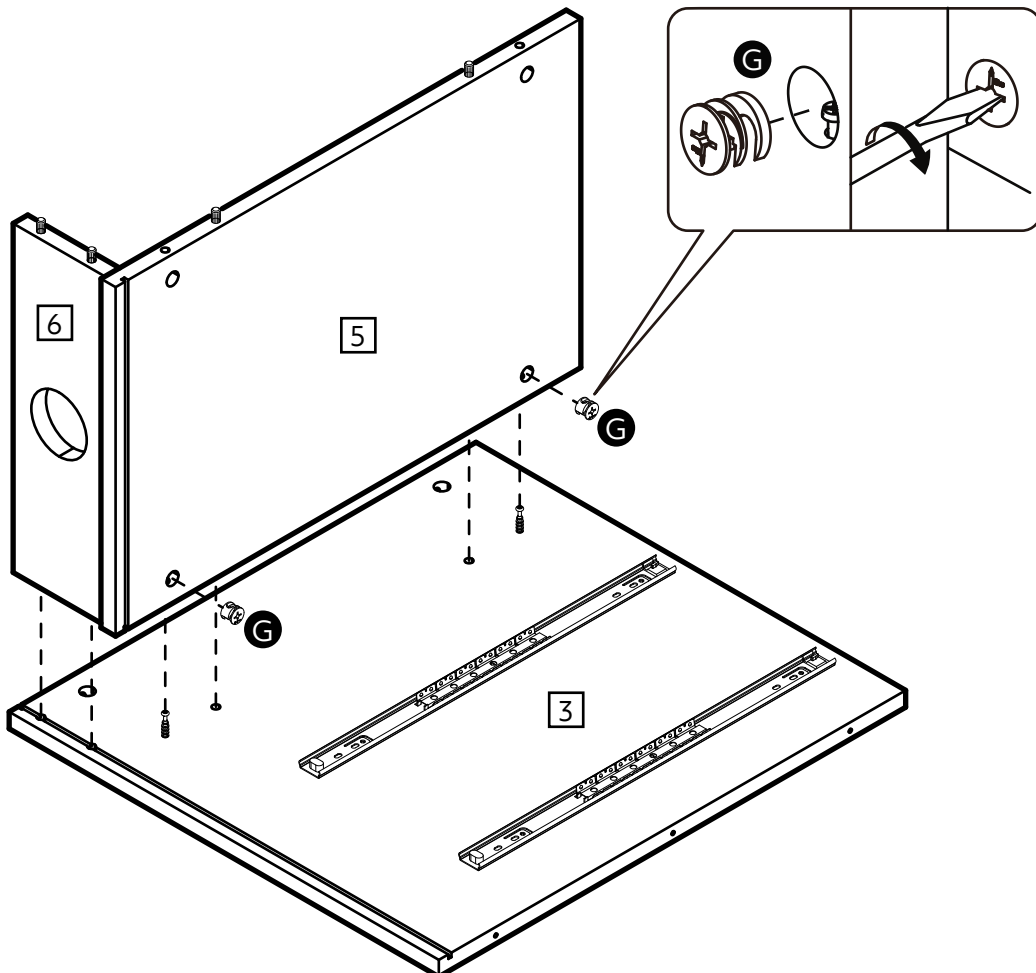
**P**   
3 x 12mm Screw x 12



# 2



# 3



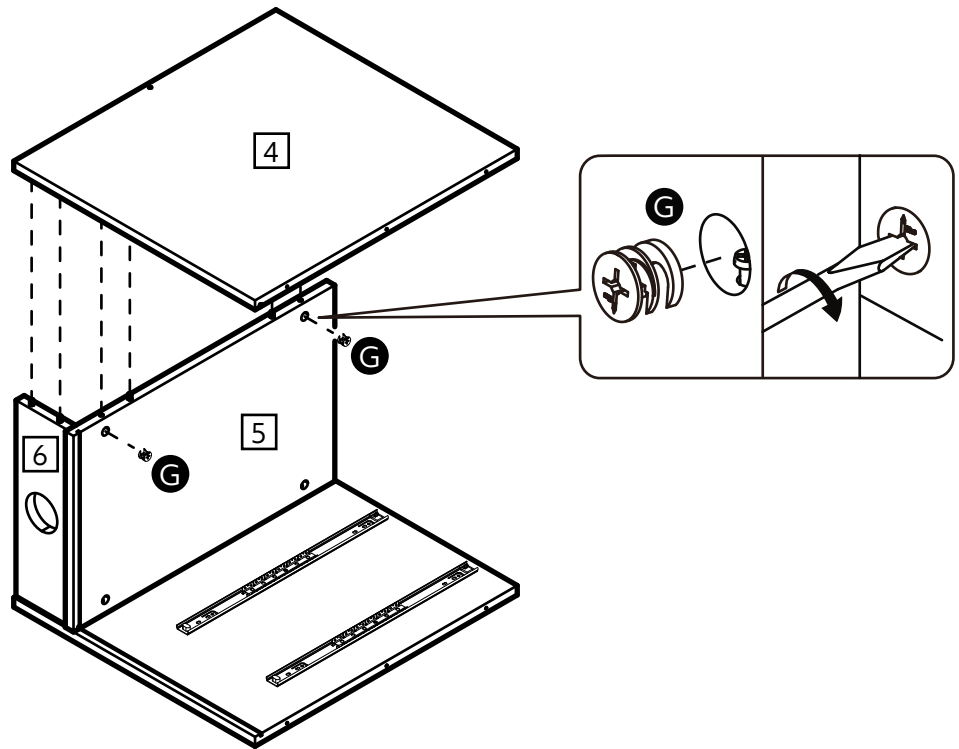


# 4

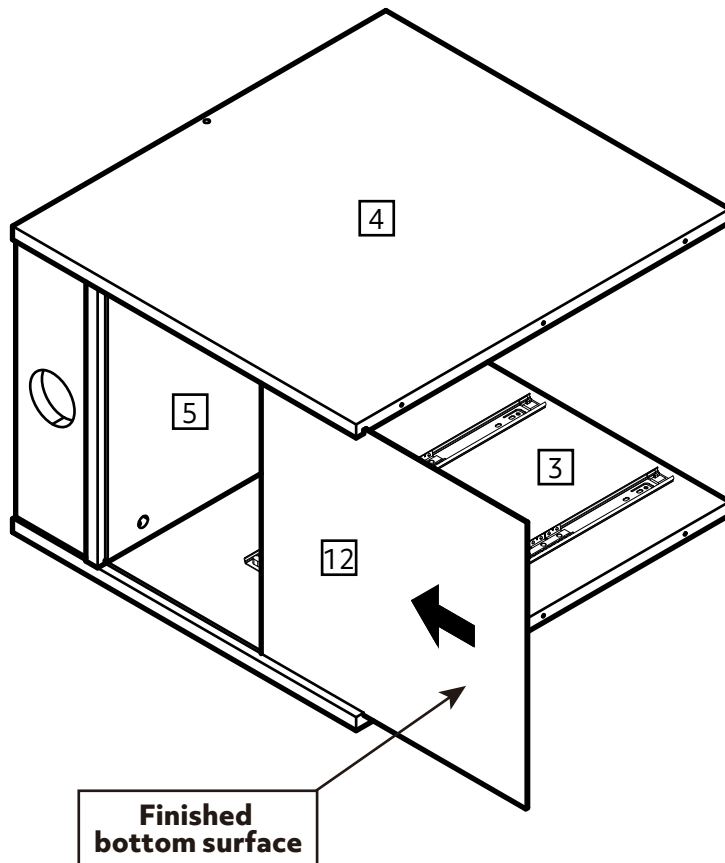
G



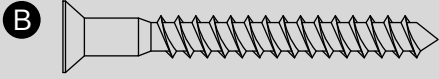
15 x 13mm Locking Nut x 2



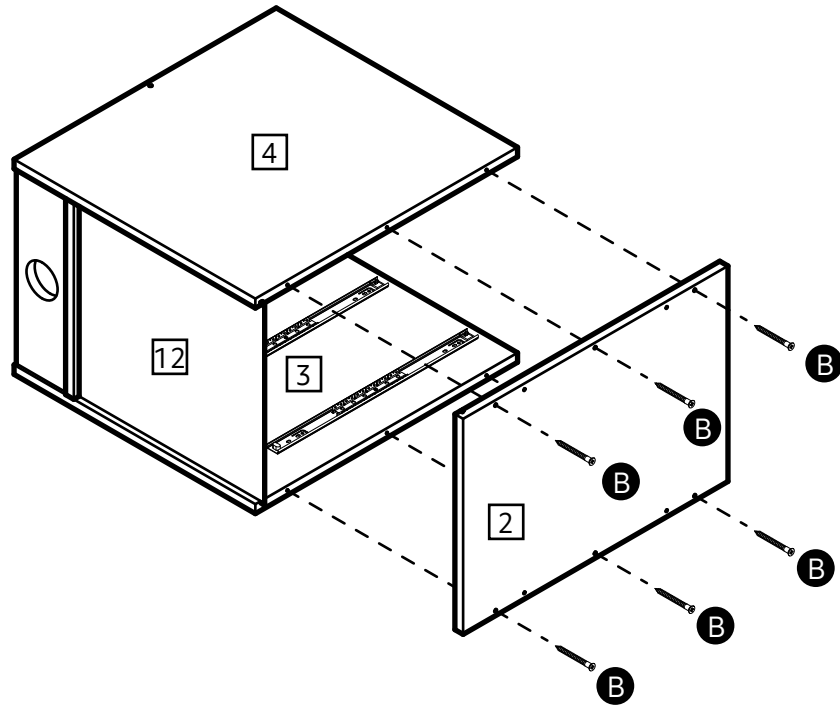
# 5



# 6



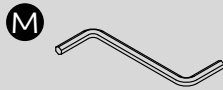
5 x 50mm Screw x 6



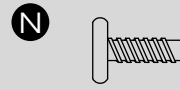
# 7



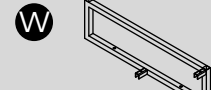
Tube Cover x 4



Allen Key x 1



6 x 15mm Screw x 5



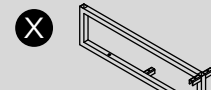
160 x 586 x 20mm  
Right Post x 1



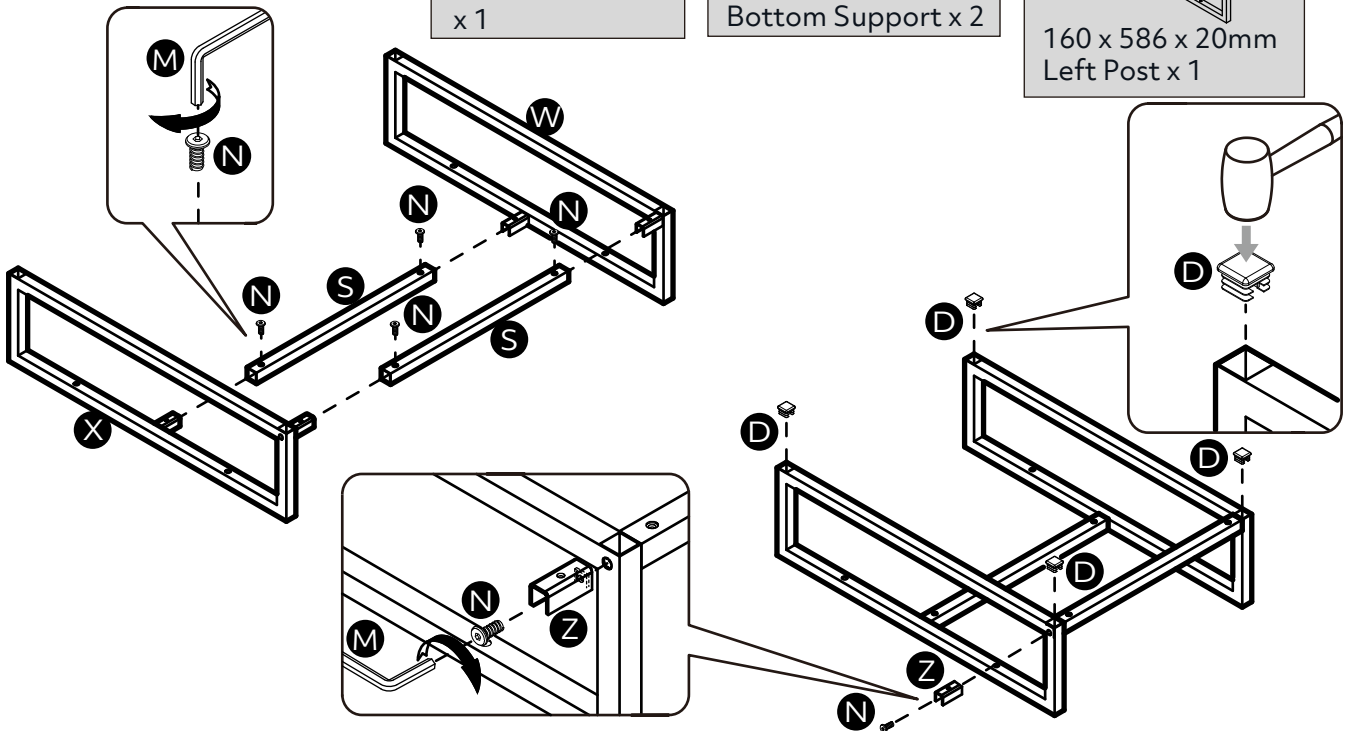
40 x 20 x 20mm  
Metal Connector  
x 1



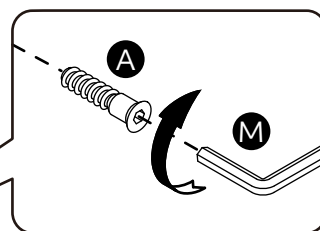
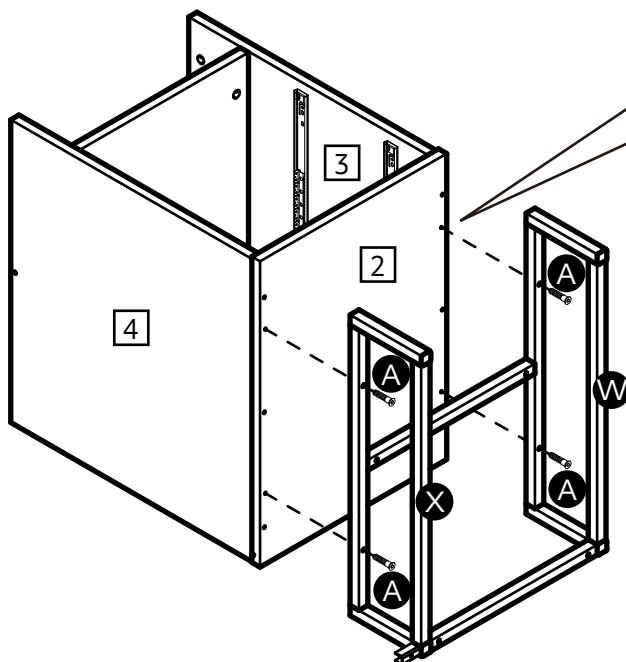
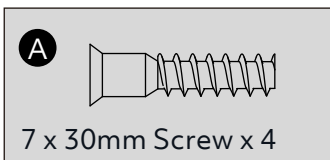
376 x 20 x 20mm  
Bottom Support x 2



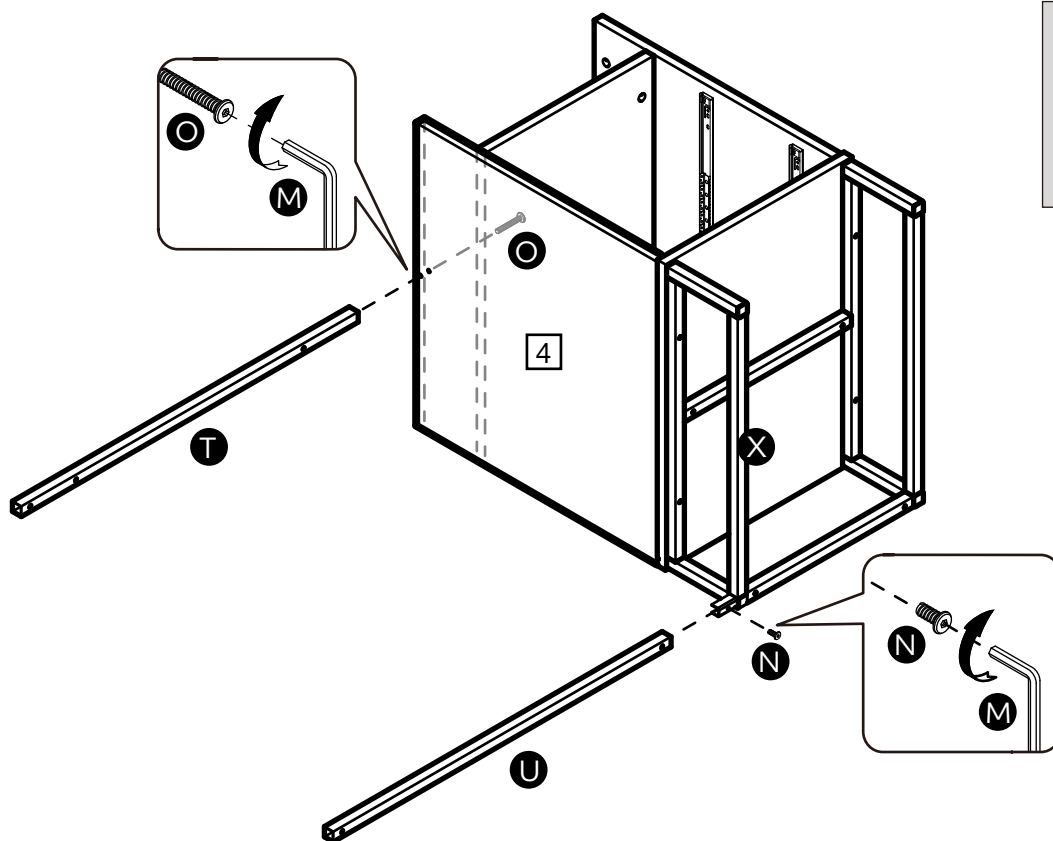
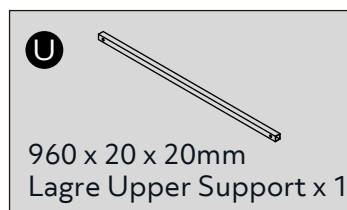
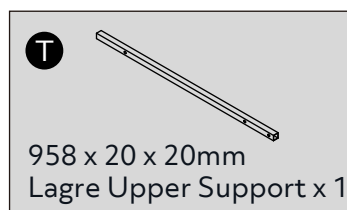
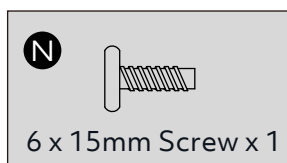
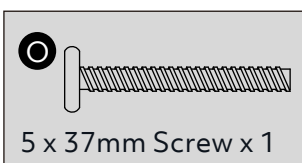
160 x 586 x 20mm  
Left Post x 1



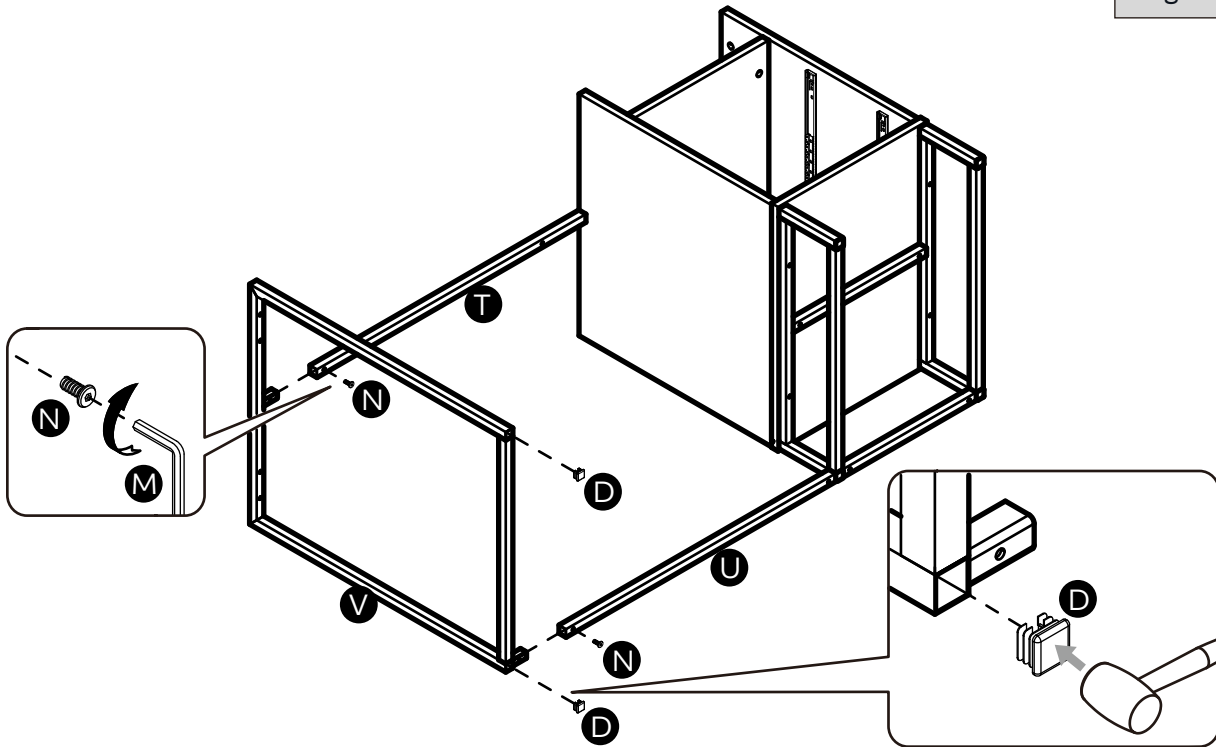
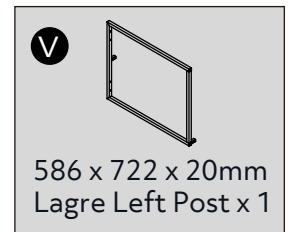
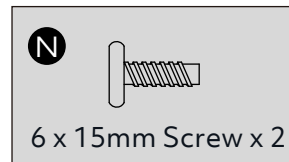
# 8



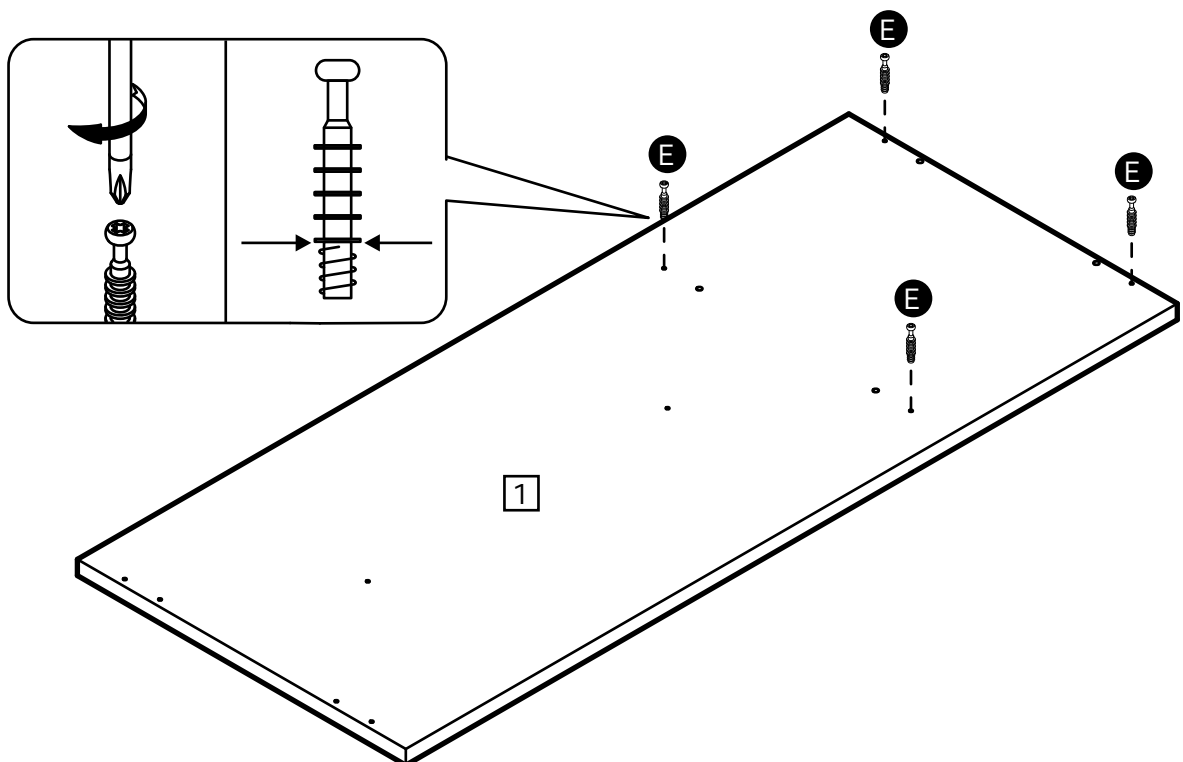
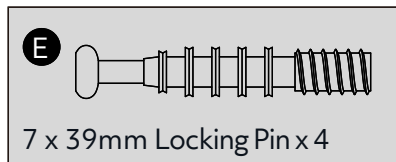
# 9



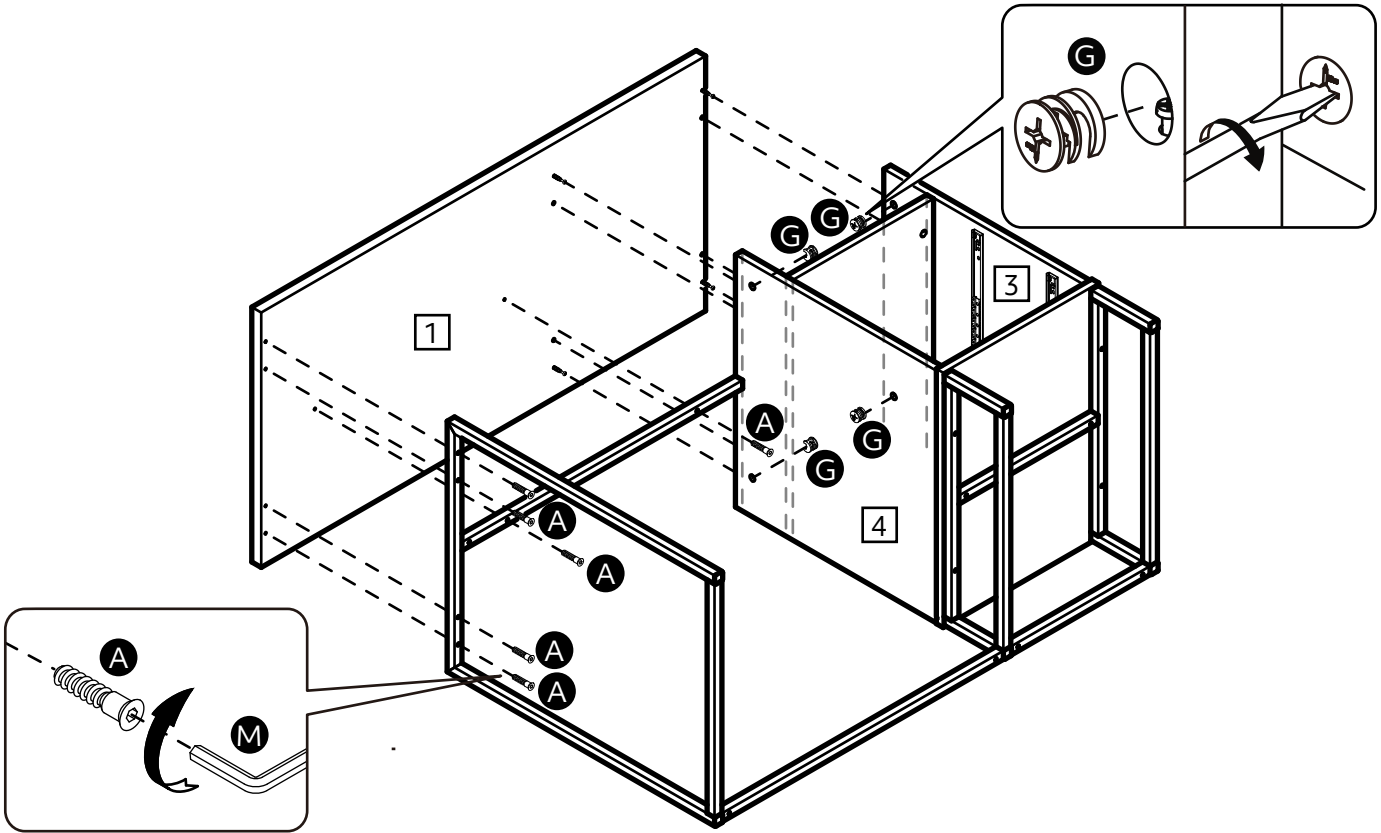
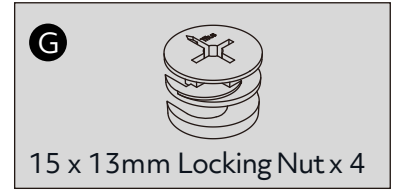
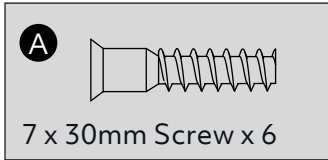
# 10



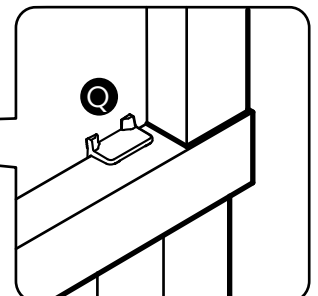
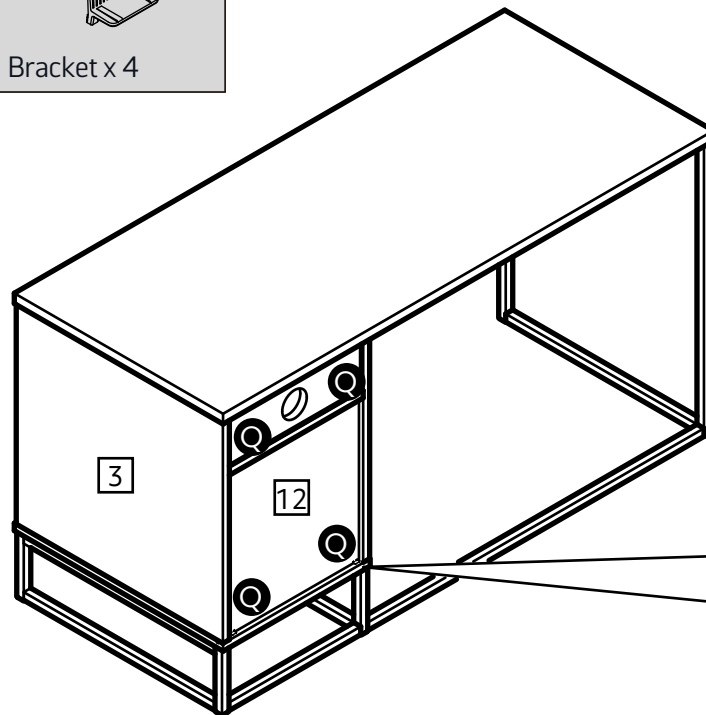
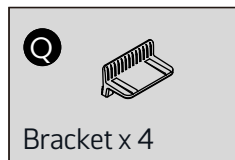
# 11



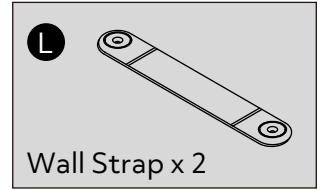
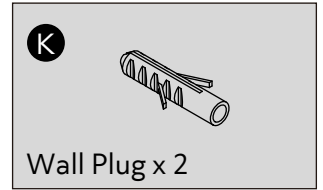
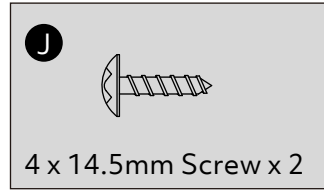
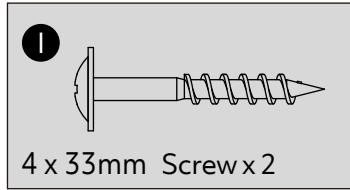
# 12



# 13

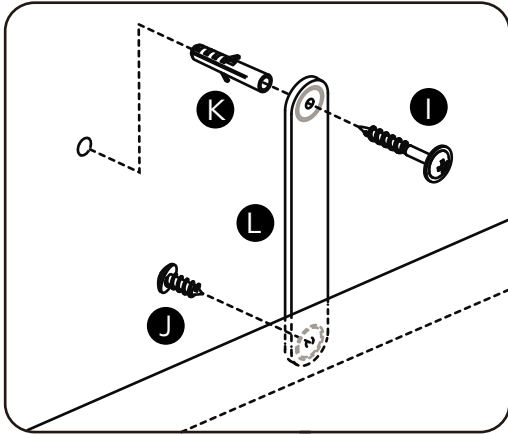


# 14



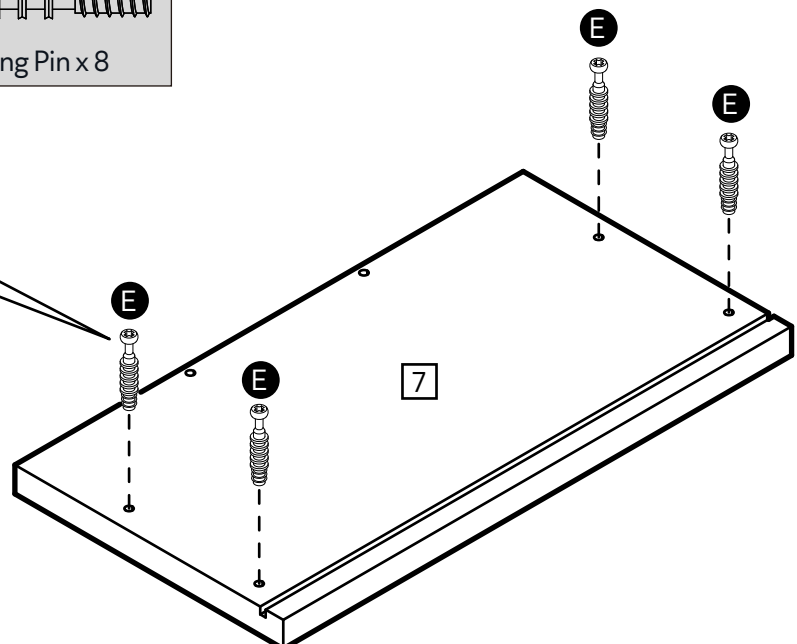
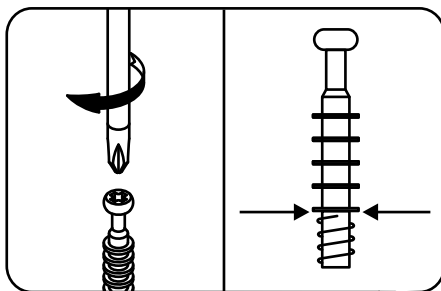
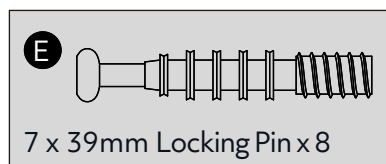
**WARNING!**  
IN ORDER TO PREVENT OVERTURNING  
THIS PRODUCT MUST BE USED WITH  
THE WALL ATTACHMENT DEVICE  
PROVIDED

**NOTE**  
PLEASE REFER TO THE WALL MOUNTING &  
FIXINGS GUIDE FOR WALL FIXING.



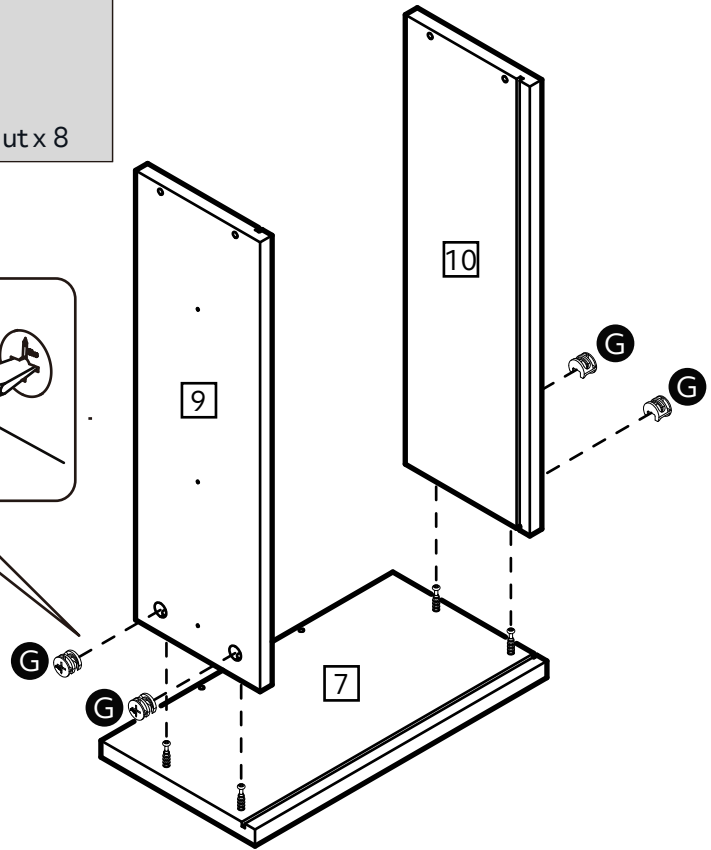
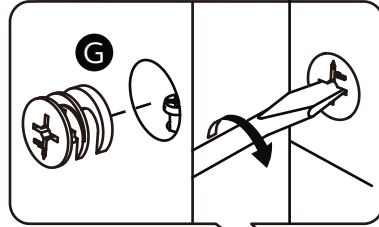
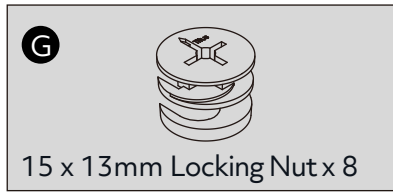
 **Rotate**  
Product

# 15

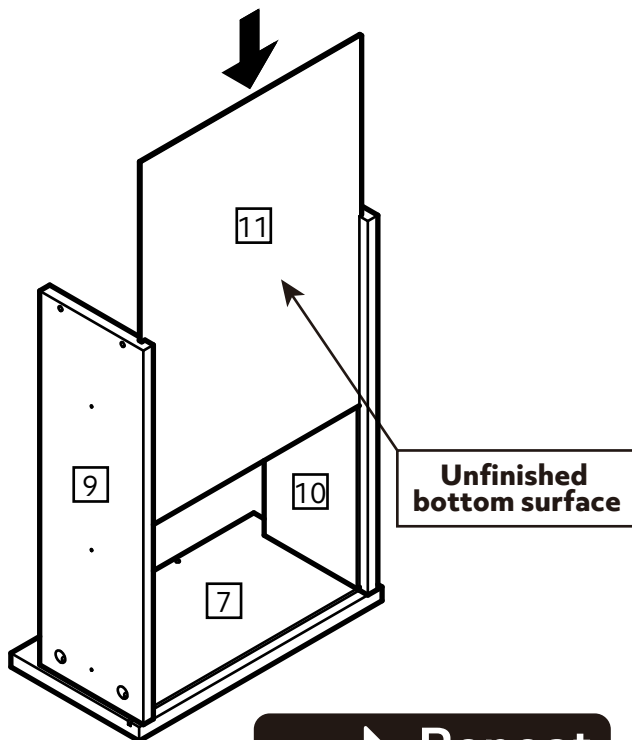


 **Repeat**  
x2

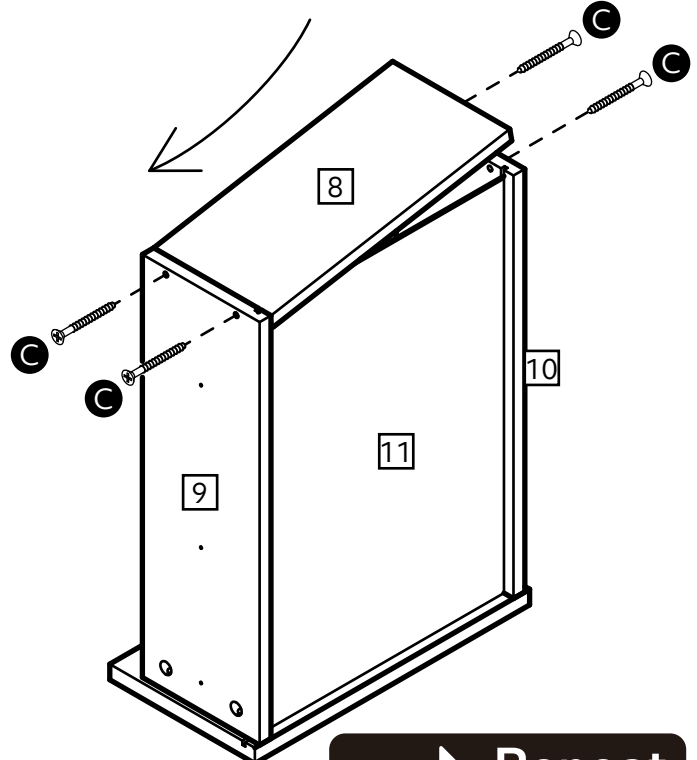
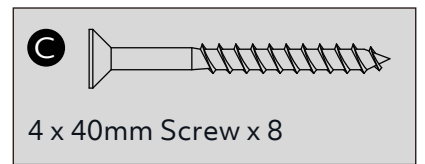
# 16



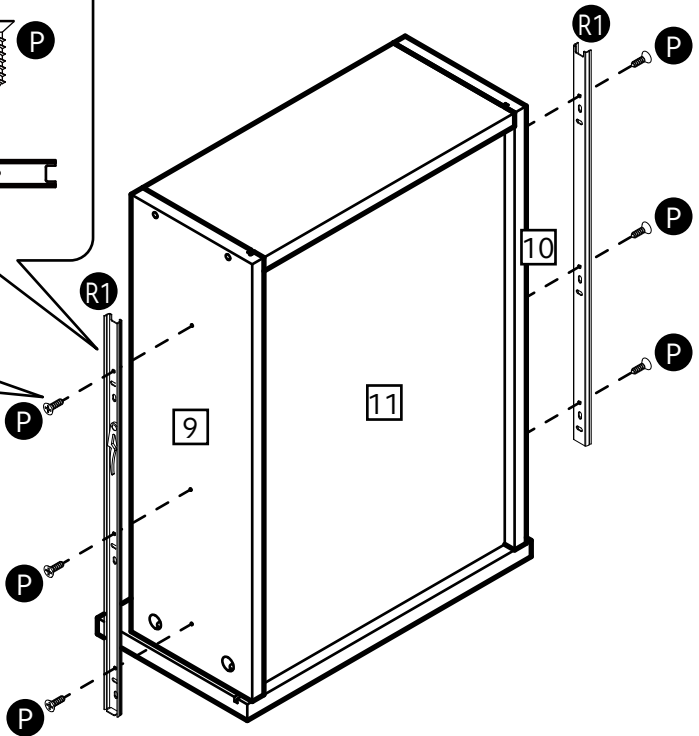
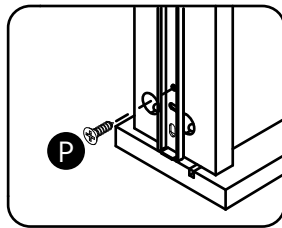
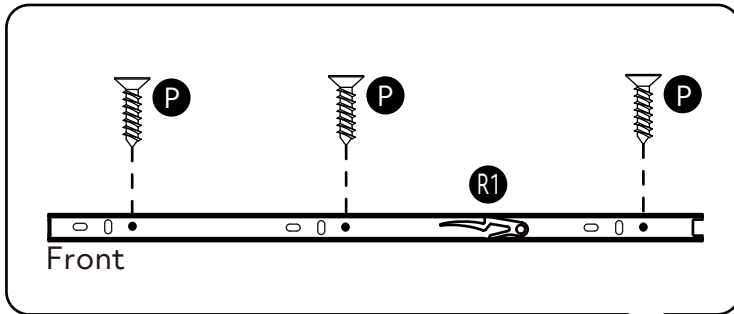
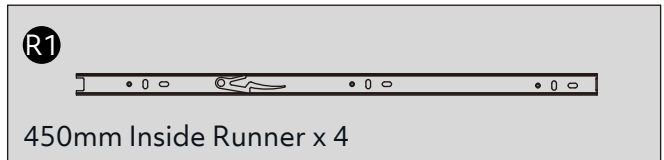
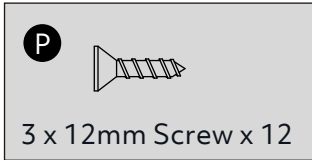
# 17



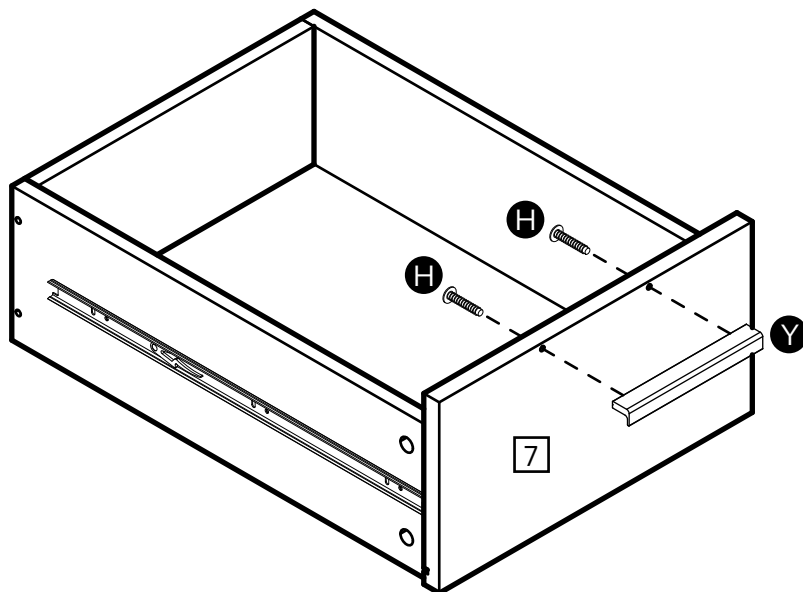
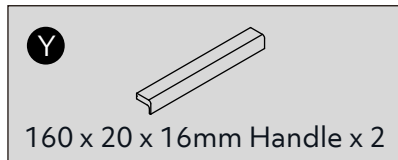
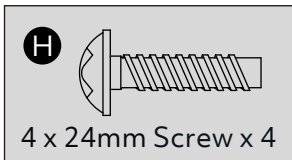
# 18



# 19

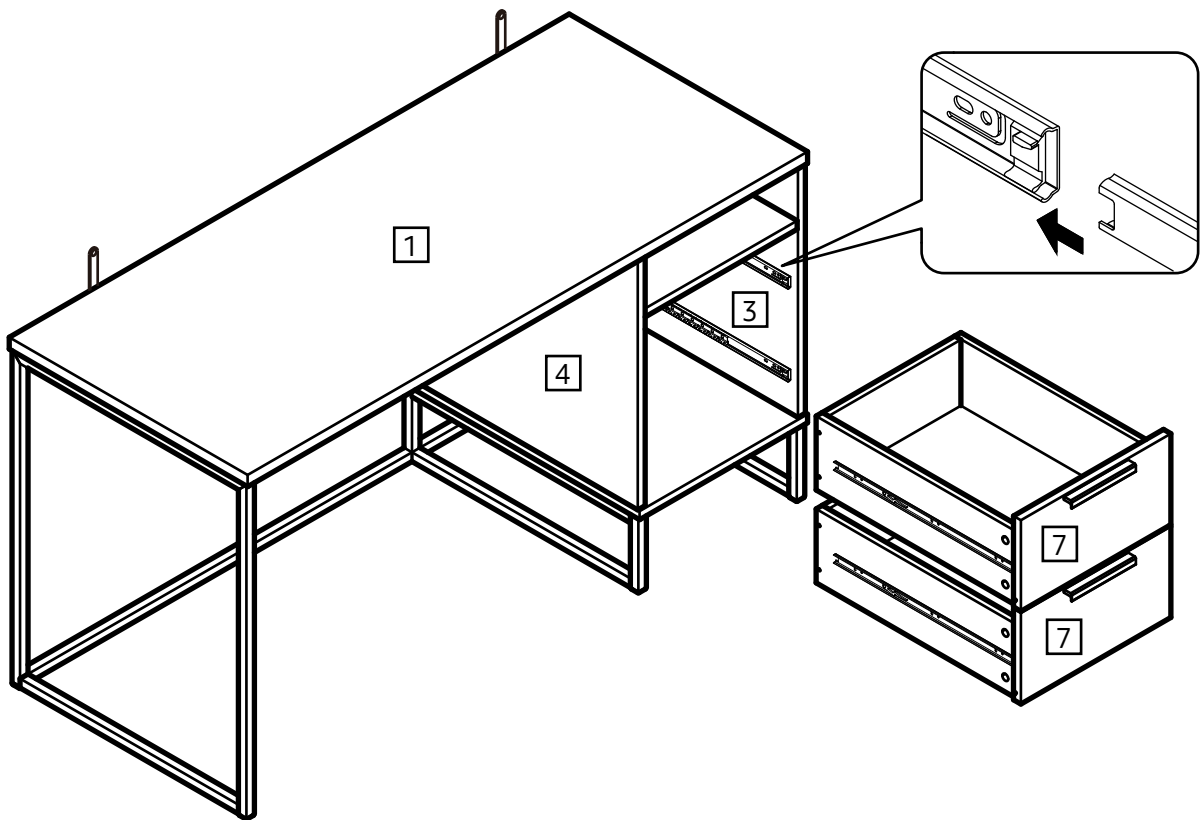


# 20





# 21



# A Guide to - Wall Mounting & Fixings

## Important note:

If plastic wall plugs are supplied with your product:



- these are only suitable for use in masonry walls.

If you are in any doubt about the correct wall plugs for your wall, seek professional advice.


Failure of the product due to using incorrect fixings is the responsibility of the installer.



**Important:** When drilling into walls always check that there are no hidden wires or pipes etc.

Make sure that the screws and wall plugs being used are suitable for supporting your unit. Consult a qualified tradesperson if you are unsure.

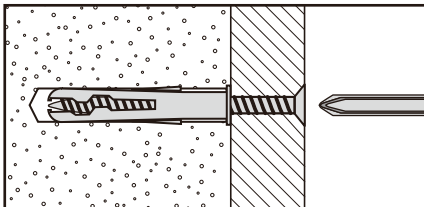
## Hints:

- 1: General rule:**  Always use a larger screw and wall plug if you are not sure.
- 2:** Ensure you use the recommended drill bit to match the wall plug and hole size.
- 3:** Ensure you drill the hole horizontally, do not force the drill or enlarge the hole.
- 4:** Take extra care when drilling high walls, ceilings and ceramic tiles. Ensure wall plugs are inserted beyond the thickness of the ceramic tiles to avoid the tiles splitting or cracking.
- 5:** Ensure wall plugs are well fitted and are a tight fit in the drilled hole.

## Types of walls

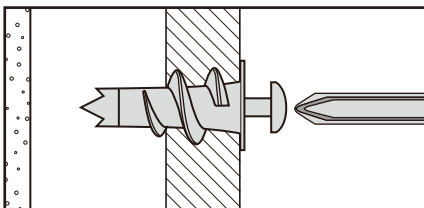
You can use one of the following types of wall plug if your walls are made of brick, breeze block, concrete, stone or wood.

### No.1 "General Purpose" wall plug



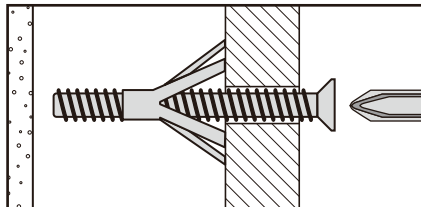
Generally aerated blocks should not be used to support heavy loads, use a specialist fitting in this case. For light loads, general purpose wall plugs can be used.

### No.2 "Plasterboard" wall plug



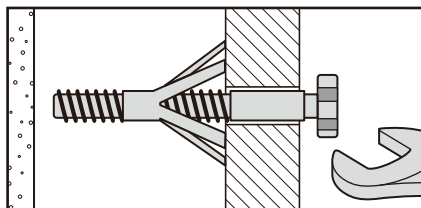
For use when attaching light loads on to plasterboard partitions.

### No.3 "Cavity Fixing" wall plug



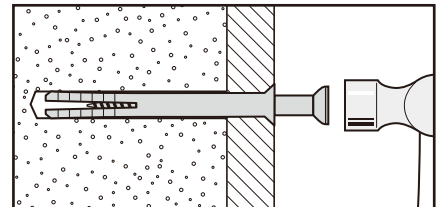
For use with plasterboard partitions or hollow wooden doors.

### No.4 "Cavity Fixing-Heavy Duty" wall plug



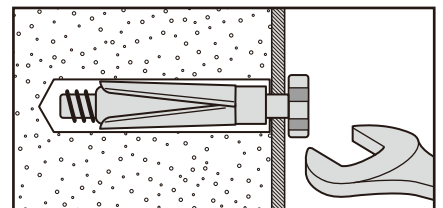
For use when fitting or supporting heavy loads such as shelving, wall cabinets and coat racks.

### No.5 "Hammer Fixing" wall plug



For use with walls stuck with plasterboard. The hammer fixing allows it to be fixed to the wall rather than the plasterboard. Always check the fixing is secure to the retaining wall.

### No.6 "Shield Anchor" wall plug Heavy loads



For use with heavier loads such as TV & HiFi speakers and satellite dishes etc.



## Care & Maintenance

**Safety:** Always check the fitting and location to ensure your safety in and around the home.

**Fitting:** From time to time check the fitting to ensure the wall plugs or screws do not become loose.