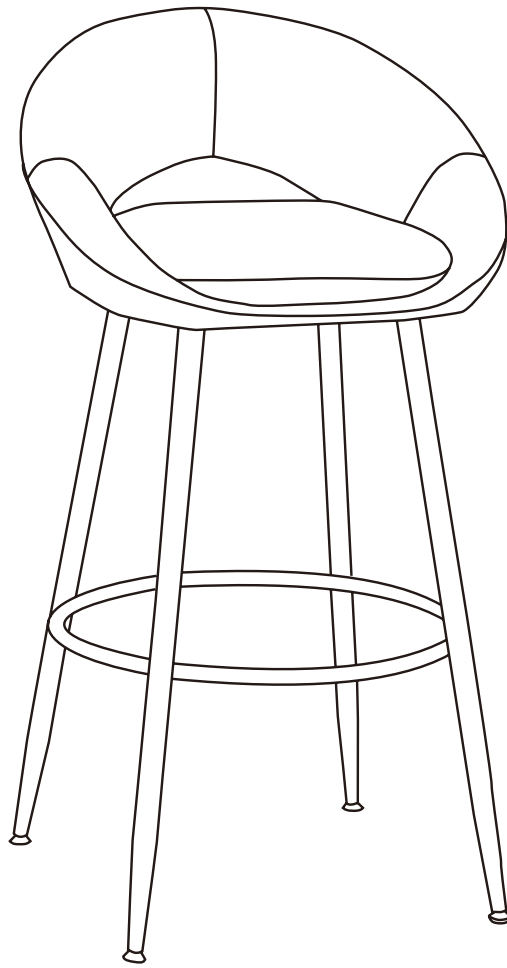


# Hermione habitat

## Barstool




### Spare Parts

 [www.argos-support.co.uk](http://www.argos-support.co.uk)

 [Help@ClickSpares.co.uk](mailto:Help@ClickSpares.co.uk)

 0370 112 1928

### Customer Support

 0345 640 2020



# Safety and Care Advice

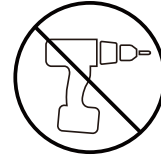
---

## Product Details

HAB HERMIONE BOUCLE BAR STOOL 2650025  
HAB HERMIONE BARSTOOL GREY 3373480  
HAB HERMIONE BARSTOOL CREAM BOUCLE 3428421

## IMPORTANT, RETAIN FOR FUTURE REFERENCE: READ CAREFULLY.

- Keep children and animals away from the work area, small parts could choke if swallowed.
- Assemble the item as close to its final position (in the same room) as possible.
- Assemble on a soft level surface to avoid damaging the unit or your floor.
- We do not recommend the use of power drill/drivers for inserting screws as this could damage the unit. Only use hand screwdrivers.
- Parts of the assembly will be easier with 2 people.
- Dispose of all packaging carefully and responsibly.



## Care and maintenance

---

- Only clean using a damp cloth and mild detergent. Do not use abrasive cleaners.
- From time to time check that there are no loose screws, nuts or bolts. If there are please re-tighten.
- This product should not be discarded with household waste. Take to your local authority waste disposal centre.
- Use a dry cloth to clean the product, furniture polish is not recommended.

## Additional Guidance

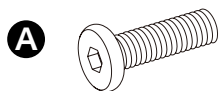
---

- Assemble all parts and bolts loosely during assembly, only once the product is complete should you fully tighten the bolts.
- Regularly check and ensure that all bolts and fittings are tightened properly.
- Maximum loading weight 110kg.
- This product is compliant EN12520, EN1022.
- Any additional or replacement parts are obtained from the manufacturer.

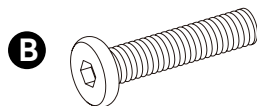
# Fittings (Shown to scale)

---

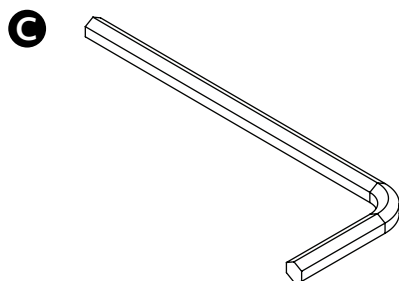
## Bag 1



M6\*20mm Bolt x 12



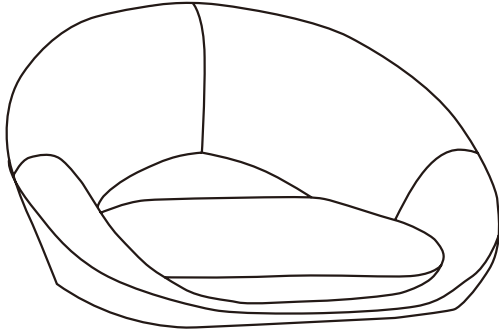
M6\*35mm Bolt x 4



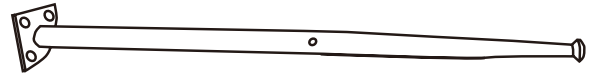
M6 Allen Key x 1

# Parts

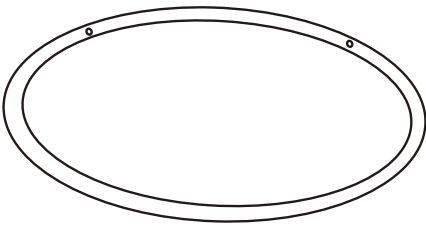
---



1 Seat Frame x1  
(530 x 475 x 285mm)

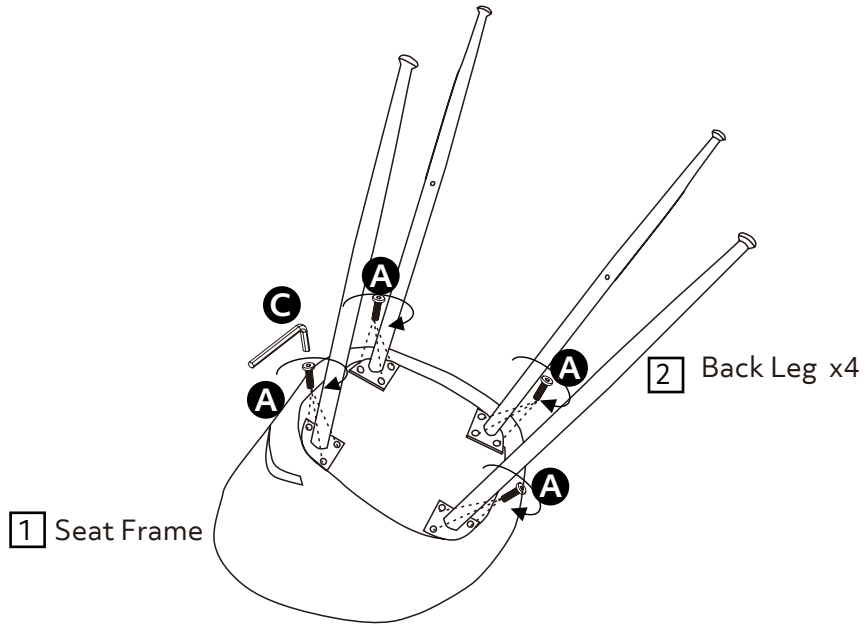
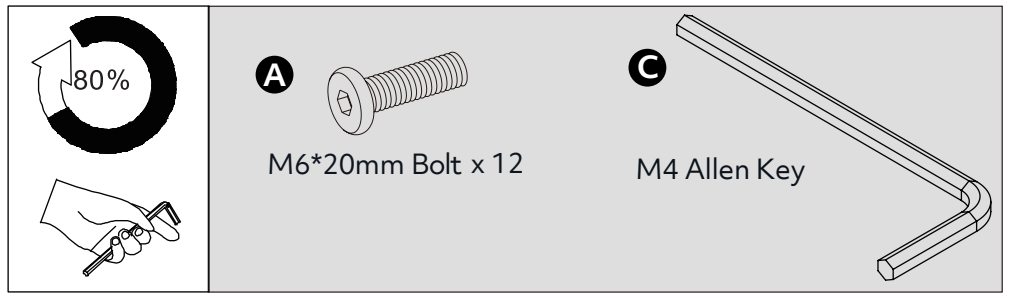


2 Back Leg x4  
( $\Phi 25^* \Phi 14^* 677$ mm)

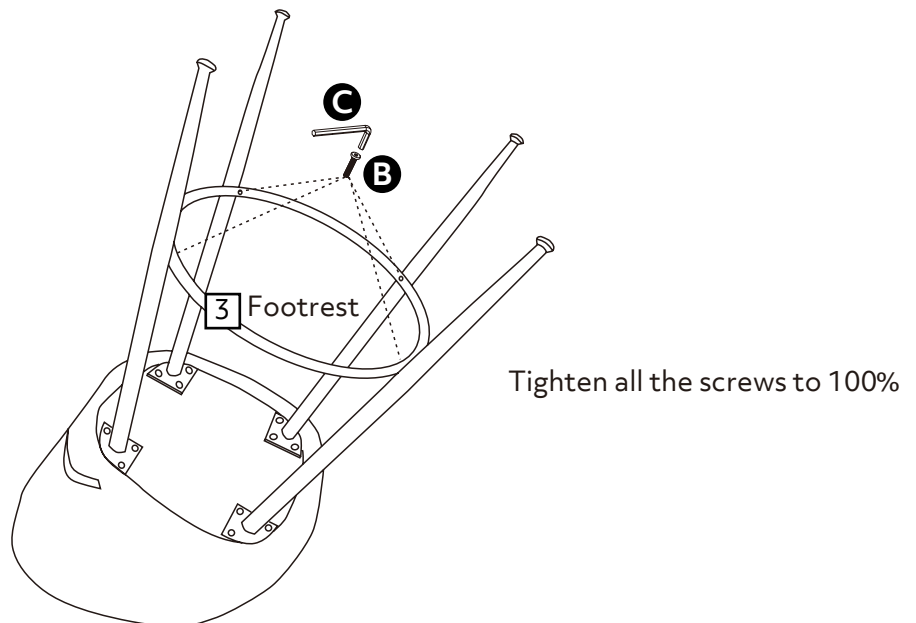
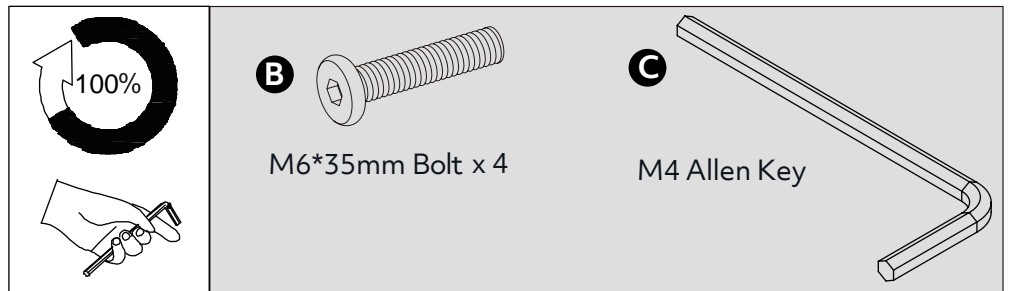


3 Footrest x1  
(450\*418\*  $\Phi 16$  mm)

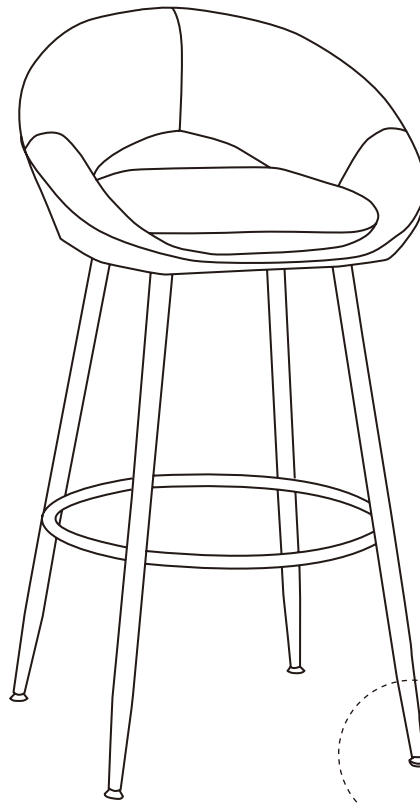
# 1



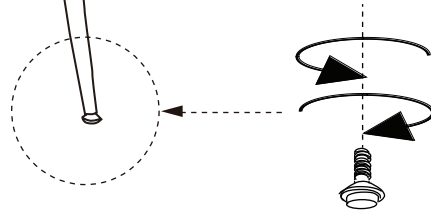
# 2



# 3



Adjust the feet to make the barstool stable on floor.  
Then assembly is completed.



# 4

