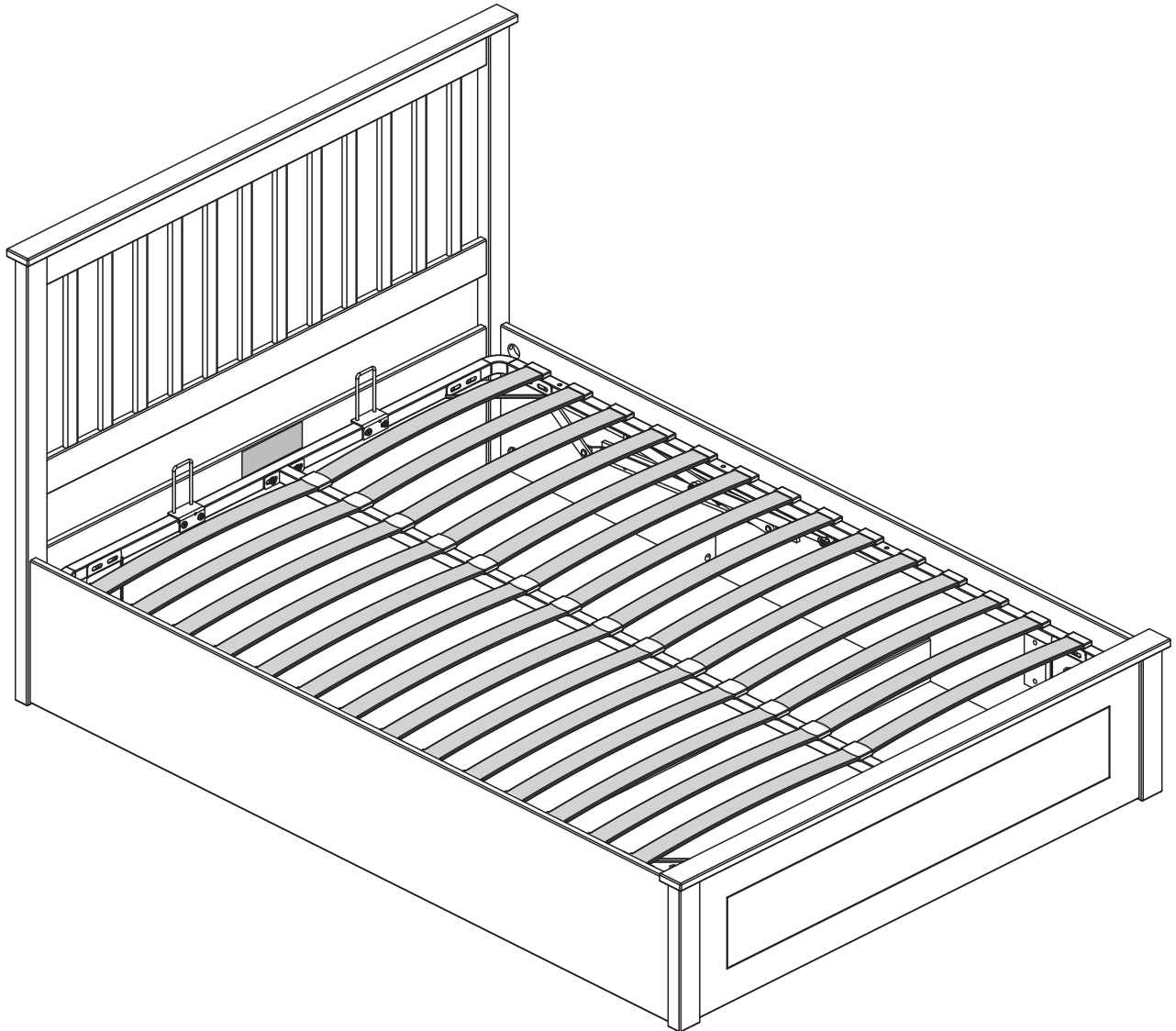



# Aspley


 habitat



## Spare Parts

-  [www.argos-support.co.uk](http://www.argos-support.co.uk)
-  [Help@ClickSpares.co.uk](mailto:Help@ClickSpares.co.uk)
-  0370 112 1928

## Customer Support

 0345 640 2020




# Safety and Care Advice

## Product Details

5ft Ottoman White      334/1838  
5ft Ottoman Oak Stain      342/6540

## IMPORTANT, RETAIN FOR FUTURE REFERENCE: READ CAREFULLY.

- Keep children and animals away from the work area, small parts could choke if swallowed.
  - Make sure you have enough space to layout the parts before starting.
  - This product has been constructed to be used in the domestic environment only and not for commercial purposes.
  - Assemble the item as close to its final position (in the same room) as possible.
  - Assemble on a soft level surface to avoid damaging the unit or your floor.
- 
- We do not recommend the use of power drill/drivers for inserting screws as this could damage the unit. Only use hand screwdrivers.
  - Parts of the assembly will be easier with 2 people.
  - Dispose of all packaging carefully and responsibly.

## Care and maintenance

- Use a dry cloth to clean the product, furniture polish is not recommended.
- From time to time check that there are no loose screws, nuts or bolts. If there are please re-tighten.
- This product should not be discarded with household waste. Take to your local authority waste disposal centre.

## Additional Guidance

- Assemble all parts and bolts loosely during assembly, only once the product is complete should you fully tighten the bolts.
- Regularly check and ensure that all bolts and fittings are tightend properly.
- Maximum user weight 110kg
- This product is compliant EN 1725

### IMPORTANT SAFETY WARNING

- Caution. This bed uses a pressurised mechanism. Use caution when operating.  
- Always use two hands at arm's length.
- You must ensure the mattress is on the bed frame before lifting the mechanism. Failure to do so may result in injury.
- Please ensure Children and Pets are kept away from the bed when operating the bed mechanism.

**ALWAYS USE TWO HANDS AT ARM'S LENGTH TO OPERATE MECHANISM FROM THIS LOCATION**



# Panels



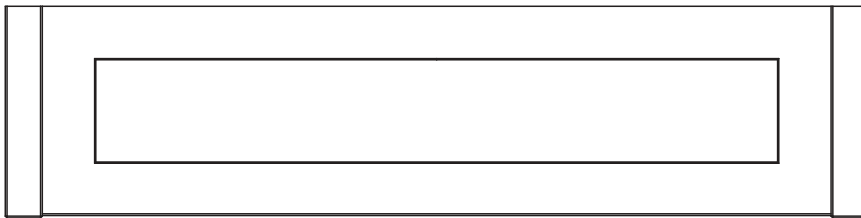
3 Right Post  
(1100x63mm) **x1**



4 Left Post  
(1100x63mm) **x1**



11 Wooden Block  
(125x65mm) **x2**



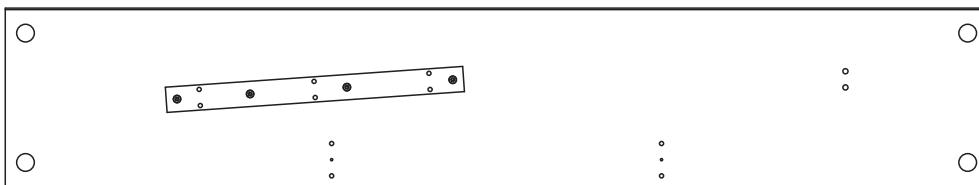
32 Footboard  
(1618x360mm) **x1**



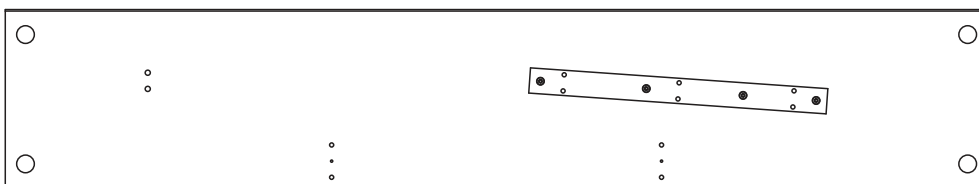
33 Footboard top rail  
(1642x67mm) **x1**



34 Storage Centre Rails  
(1560x110mm) **x2**



35 Right Side Rail  
(2045x355mm) **x1**

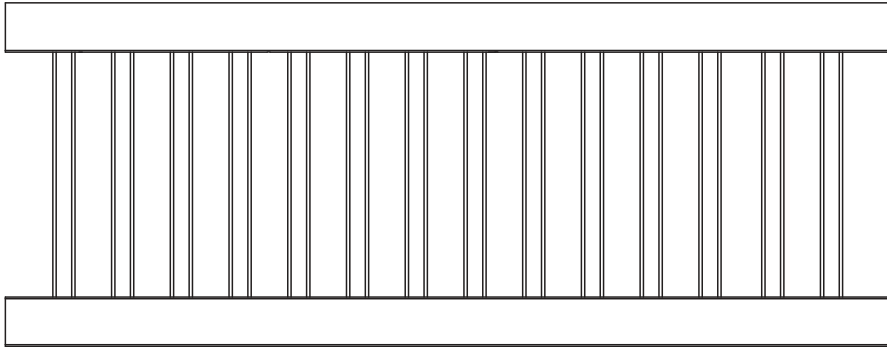


36 Left Side Rail  
(2045x355mm) **x1**

# Panels



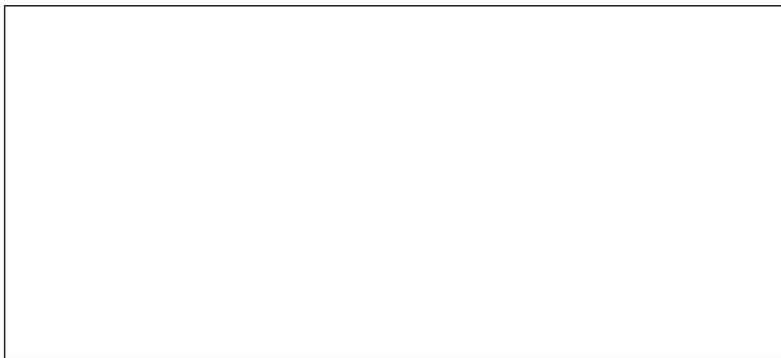
37 Headboard Bottom Panel  
(1492x355mm) **x1**



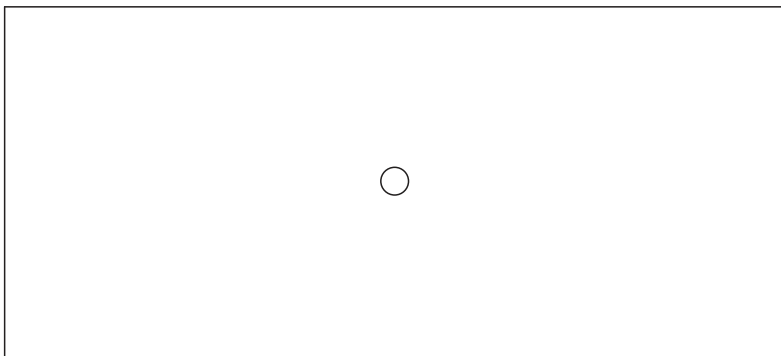
38 Headboard Frame  
(1492x609mm) **x1**



39 Headboard top rail  
(1642x67mm) **x1**



40 Storage Bottom Panel  
(1558x670mm) **x2**

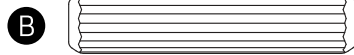


41 Storage Middle Bottom Panel  
(1558x670mm) **x1**

# Fittings



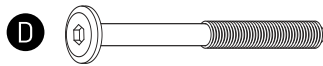
**A**  
5x70mm Screw x4



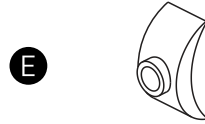
**B**  
10x40 Wooden Dowel x28  
10004



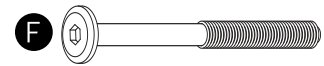
**C**  
8x40 Wooden Dowel x8



**D**  
1/4x80mm Bolt x4  
9204



**E**  
Half-moon nut x4  
6000



**F**  
7x90mm Bolt x4



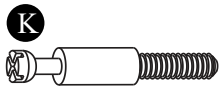
**G**  
1/4x65mm Headless Bolt x4



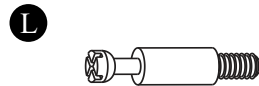
**H**  
Half-Moon Washer x4



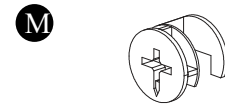
**J**  
1/4 mm nut x4



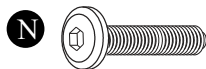
**K**  
13x40 Metal Dowel x10



**L**  
13x32 Metal Dowel x8



**M**  
15x11 Locking Nut x18



**N**  
1/4x20mm Bolt x8

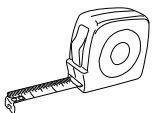


**O**  
Spanner x1

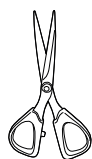


**P**  
Allen Key x1

## Tools required



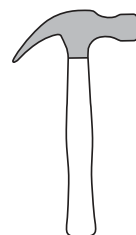
Ruler/tape  
measure



Scissors

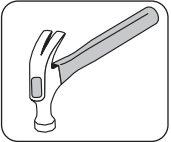
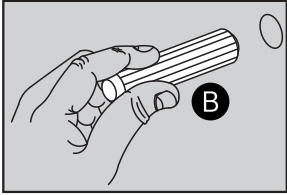
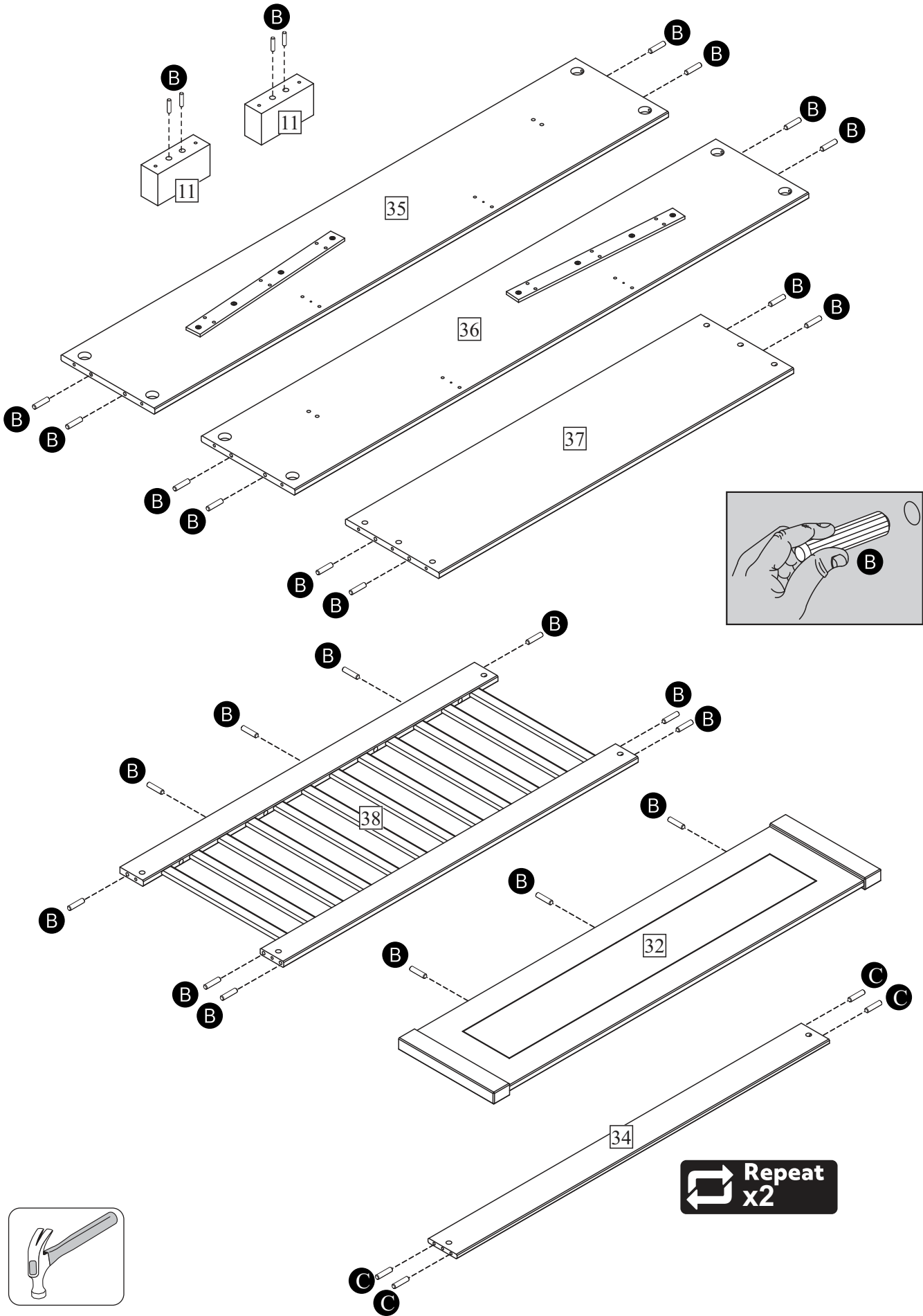
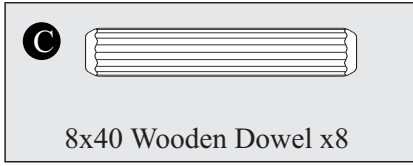
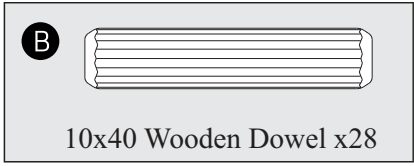


Phillips screwdriver  
(small & medium)



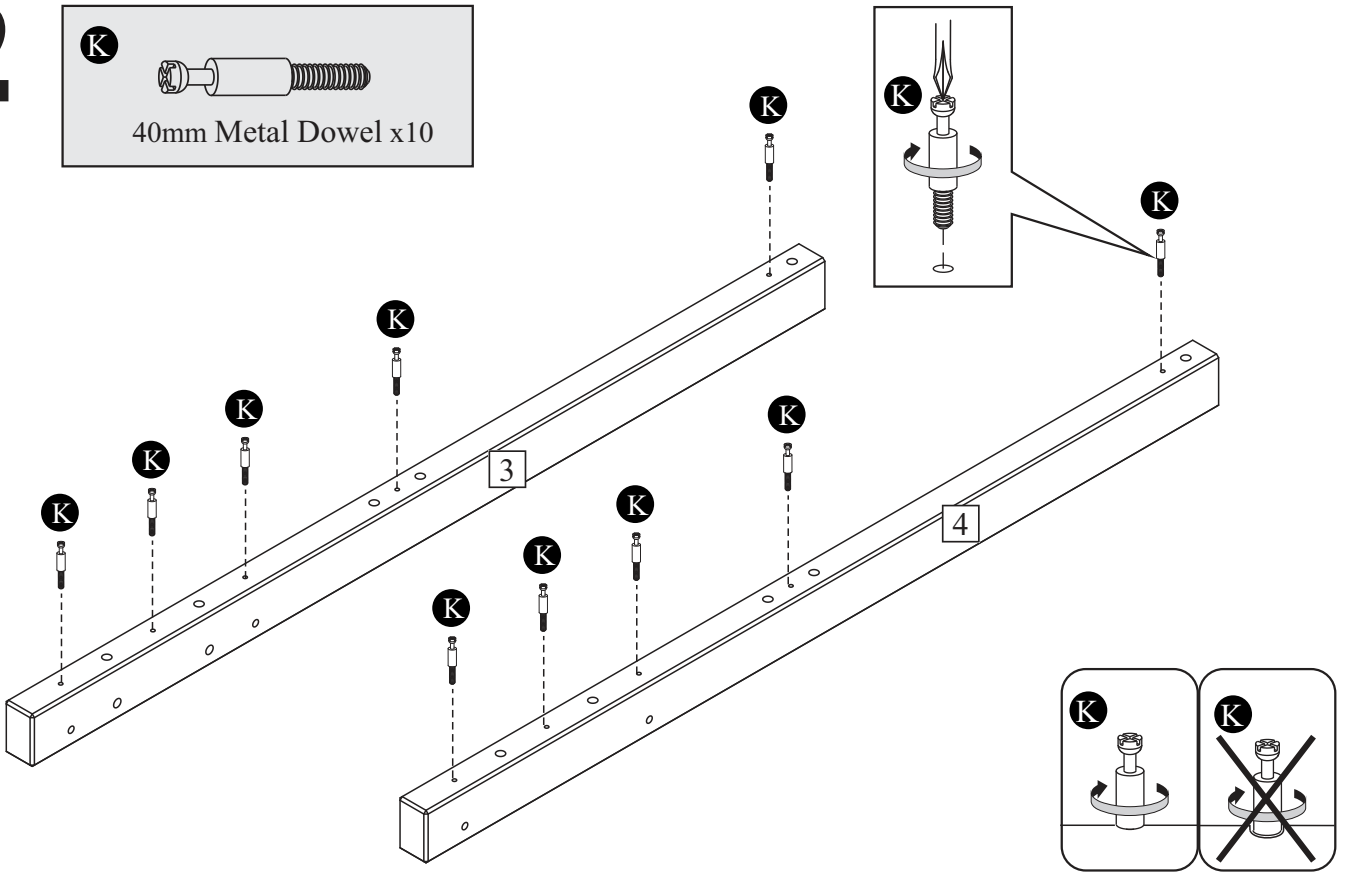
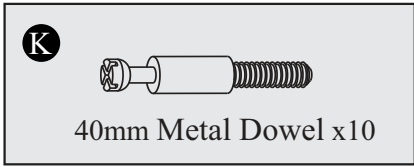
Large  
hammer

# 1

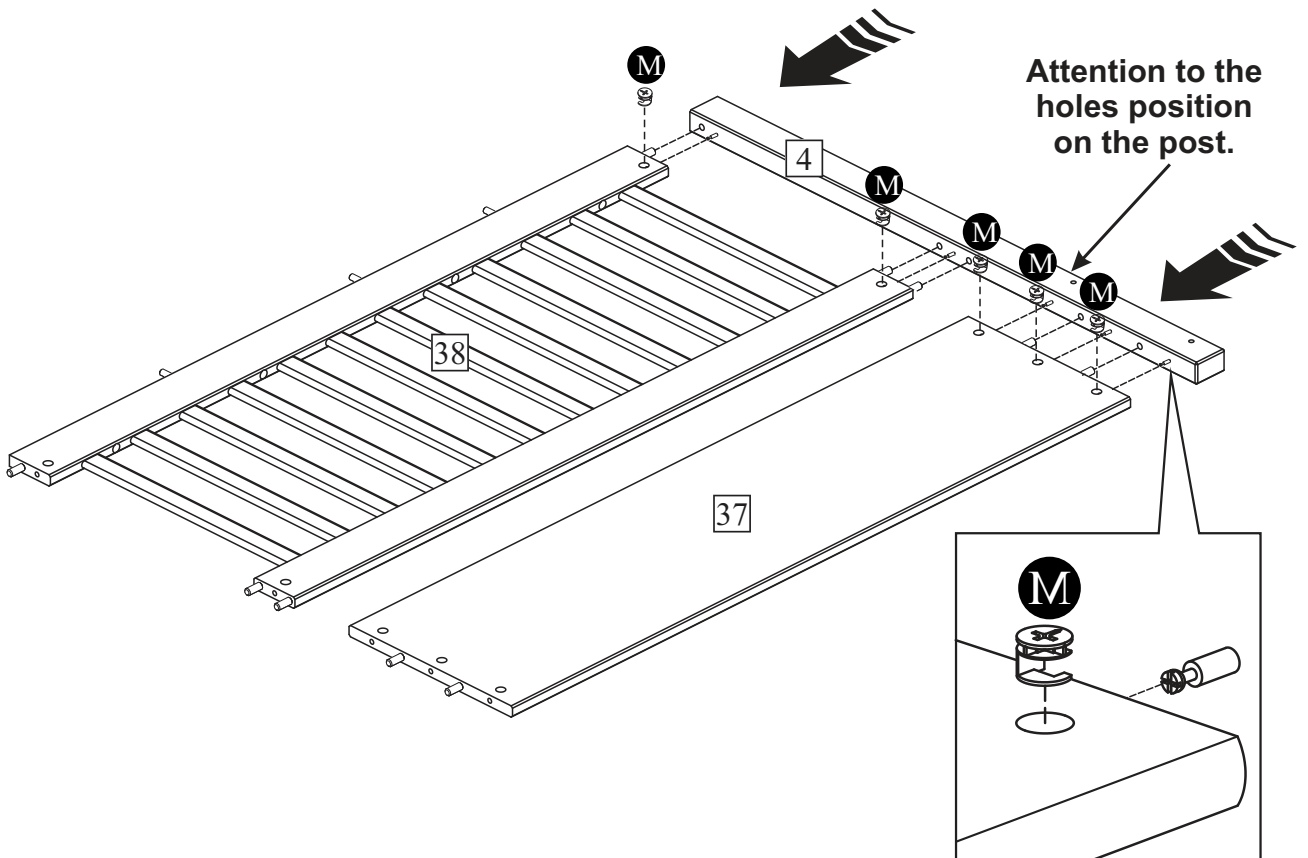
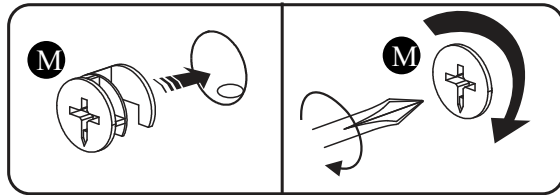


Repeat x2

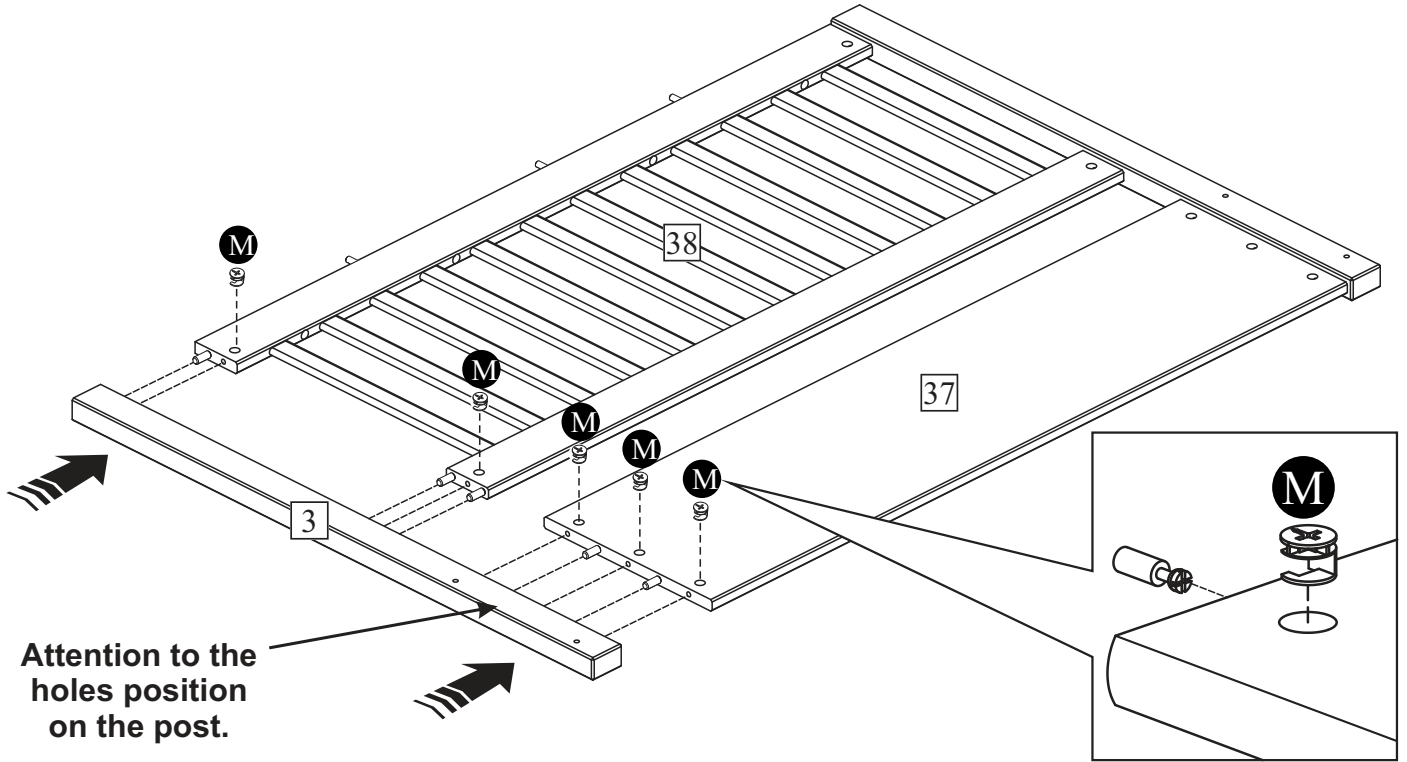
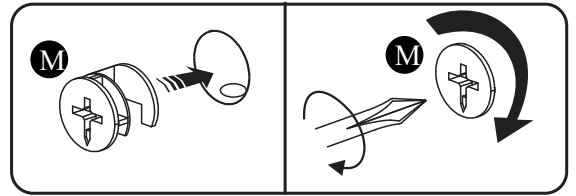
# 2



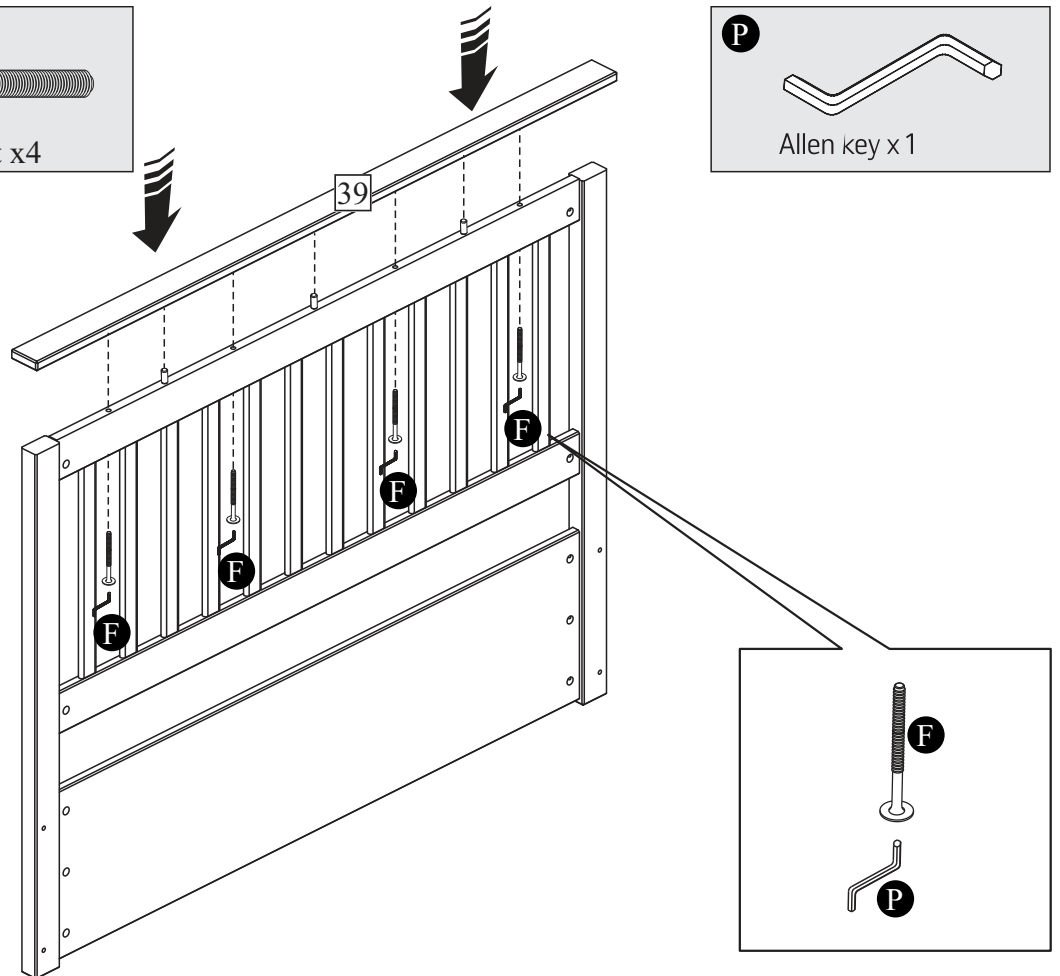
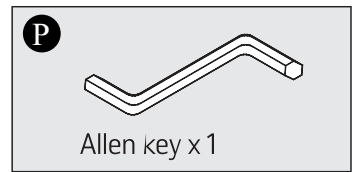
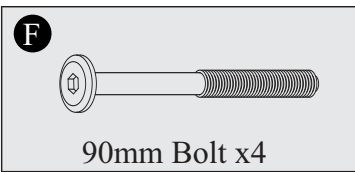
# 3



# 4

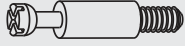


# 5

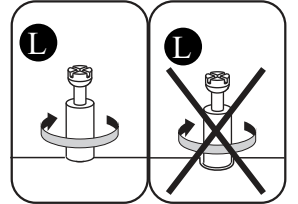
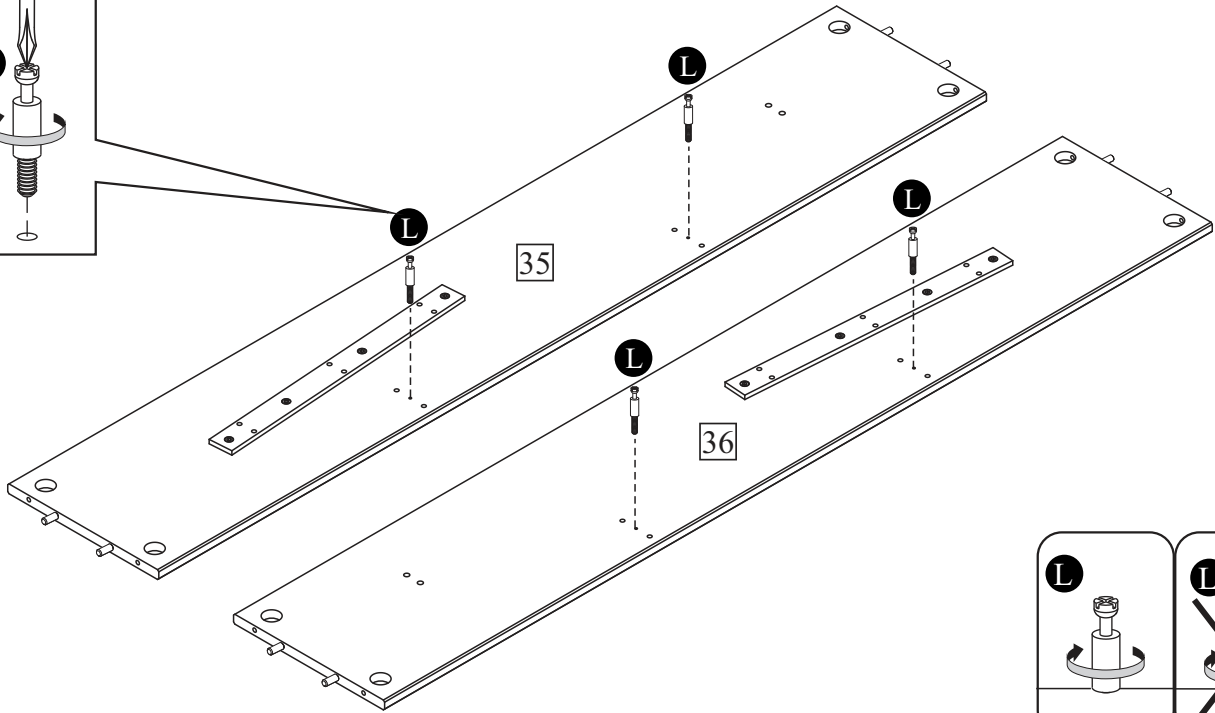
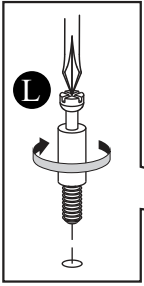




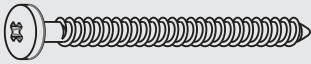
# 6

**L**

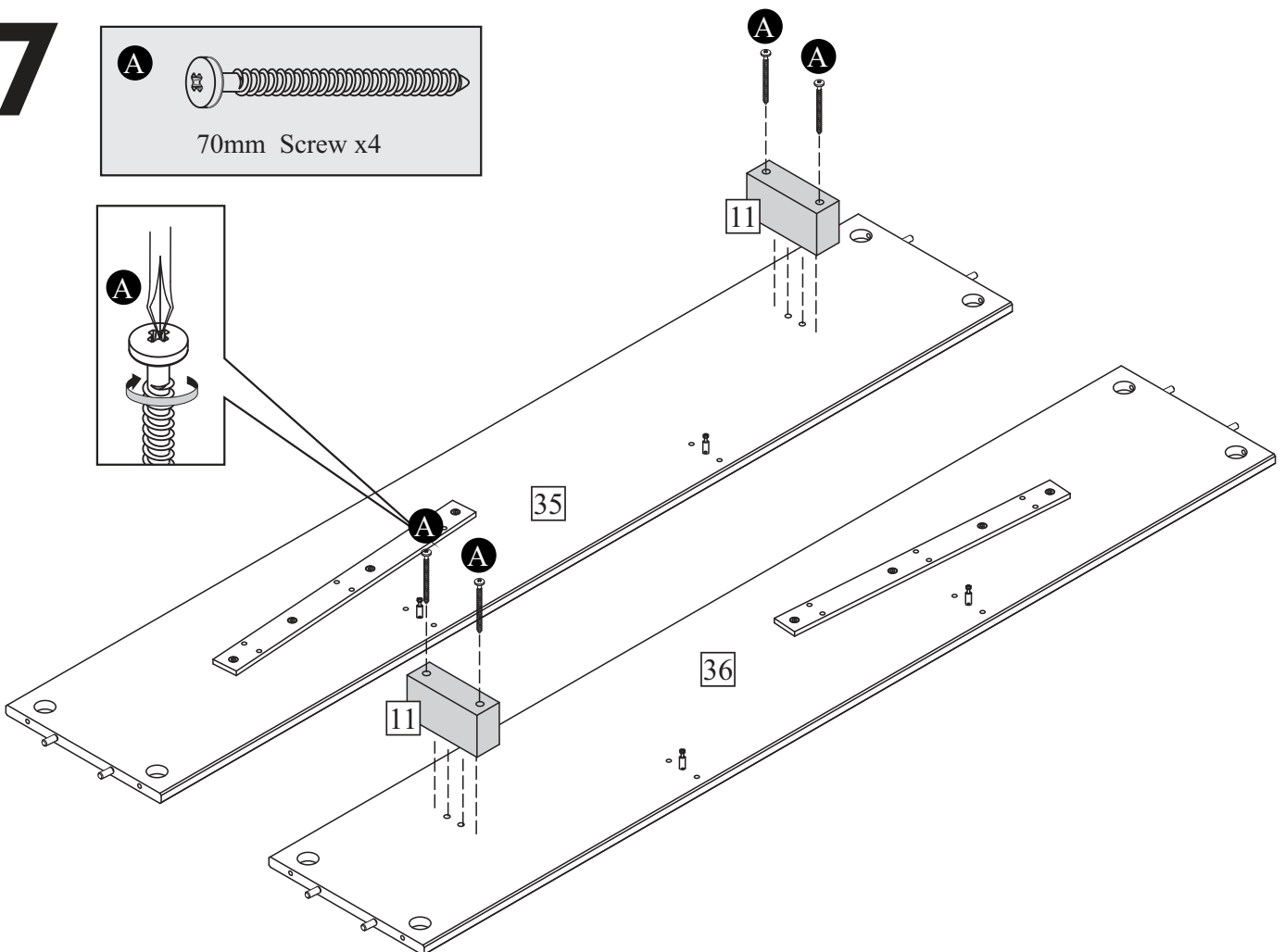
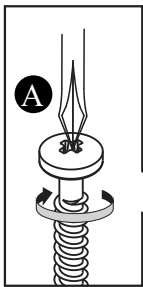
32mm Metal Dowel x4



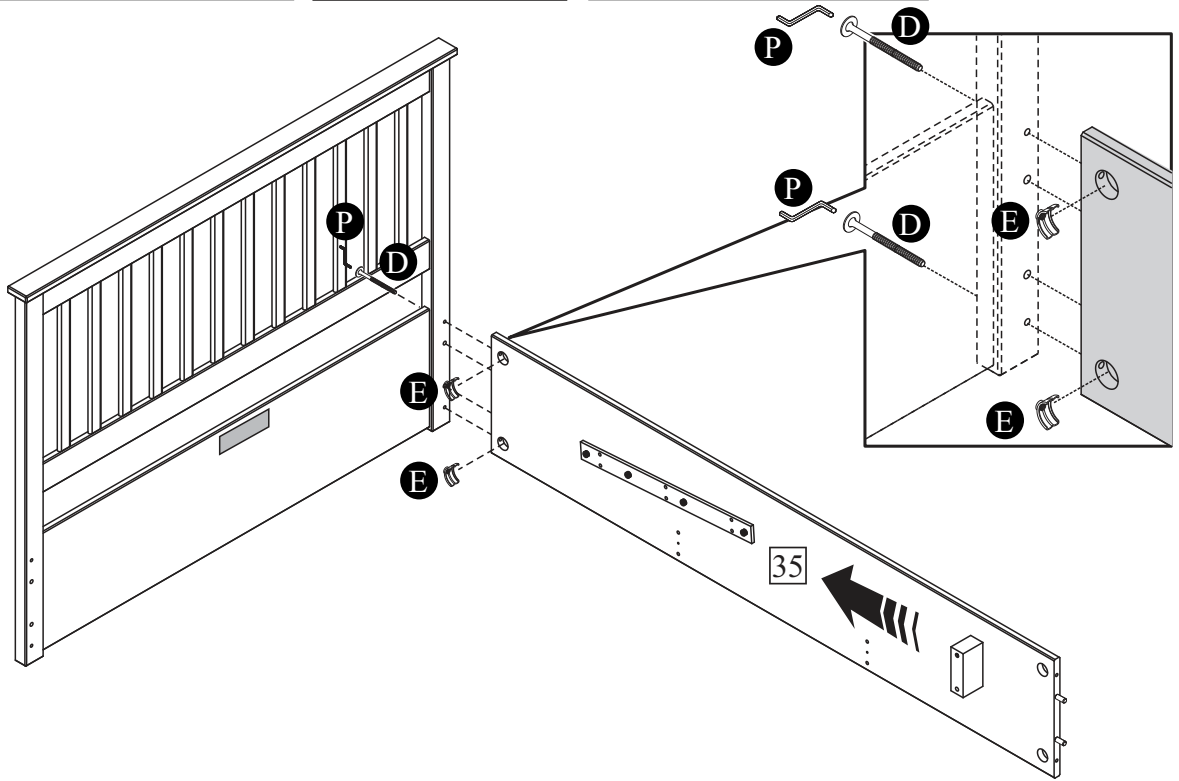
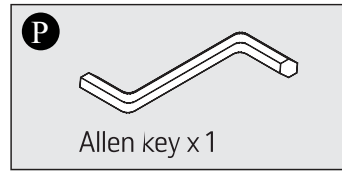
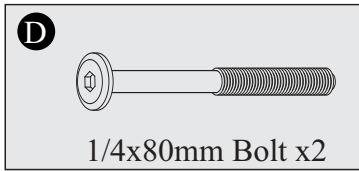
# 7

**A**

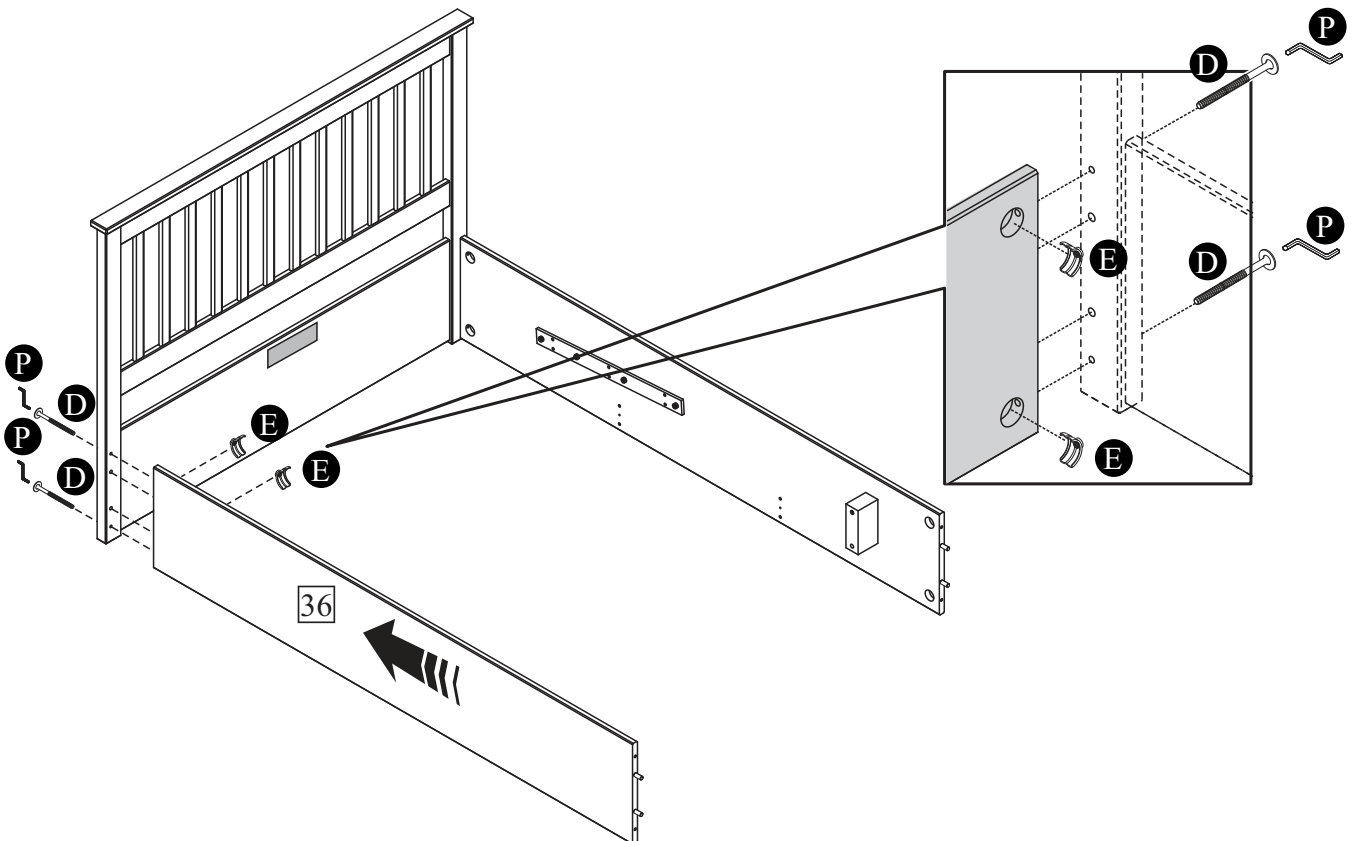
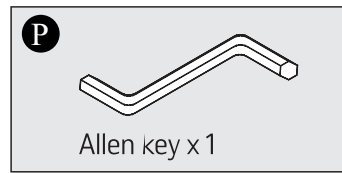
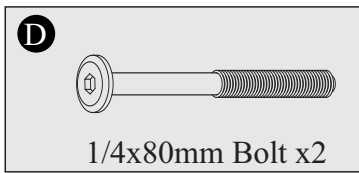
70mm Screw x4



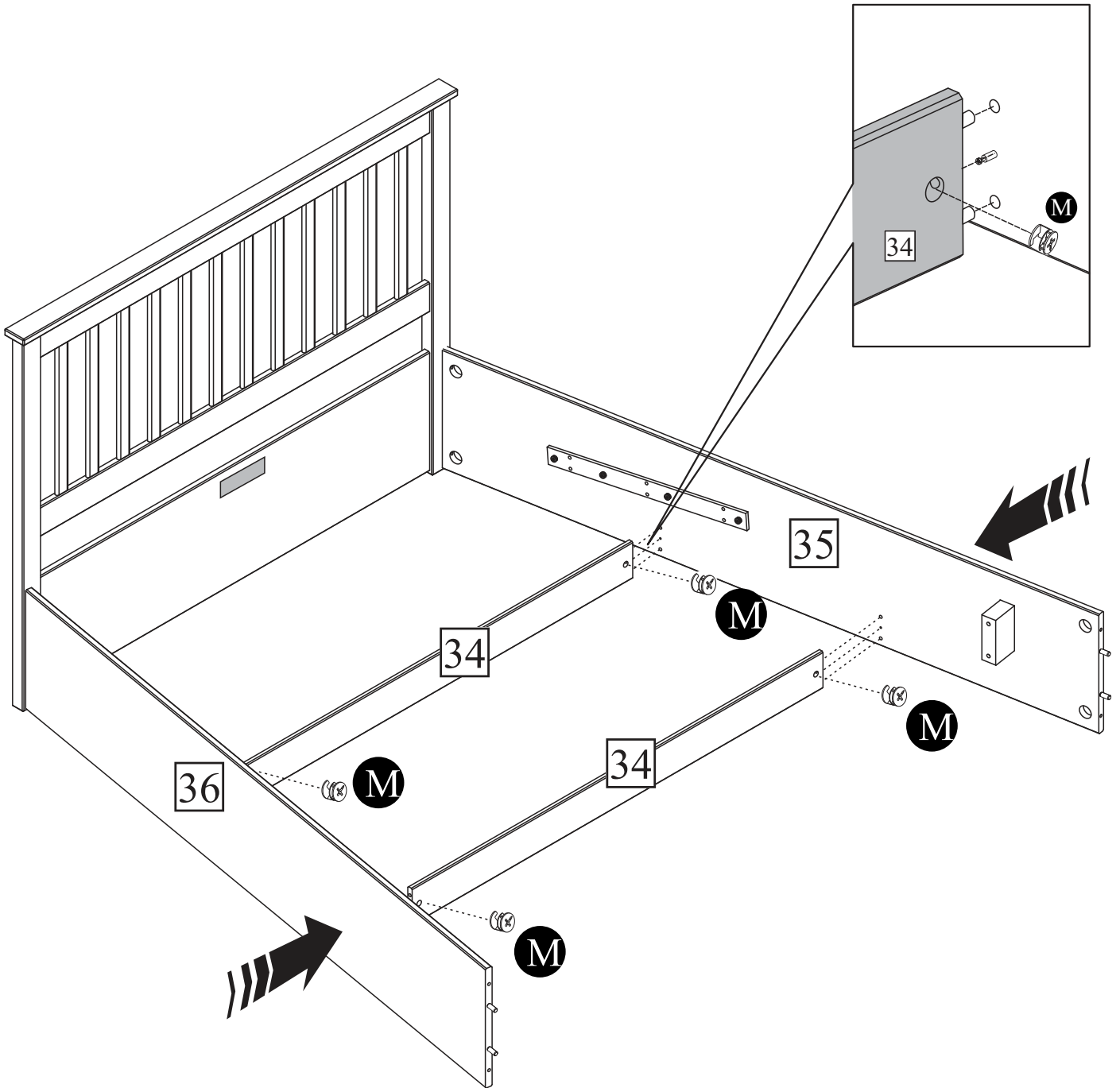
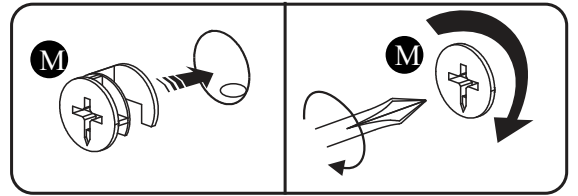
# 8



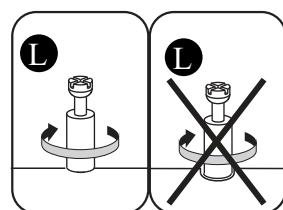
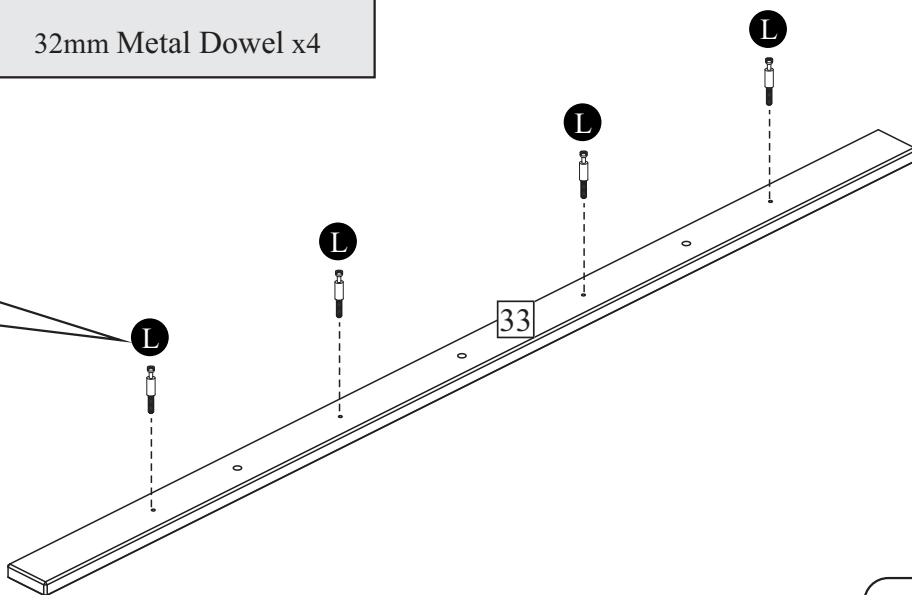
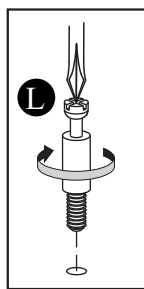
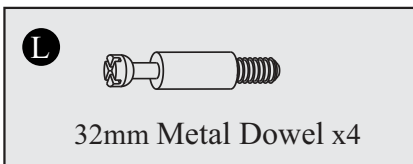
# 9



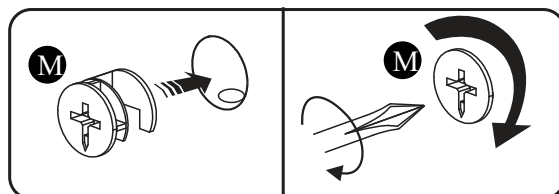
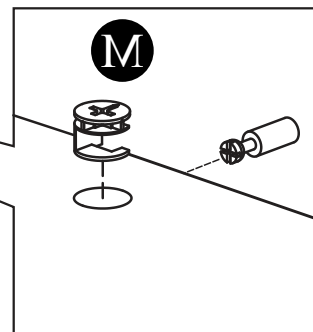
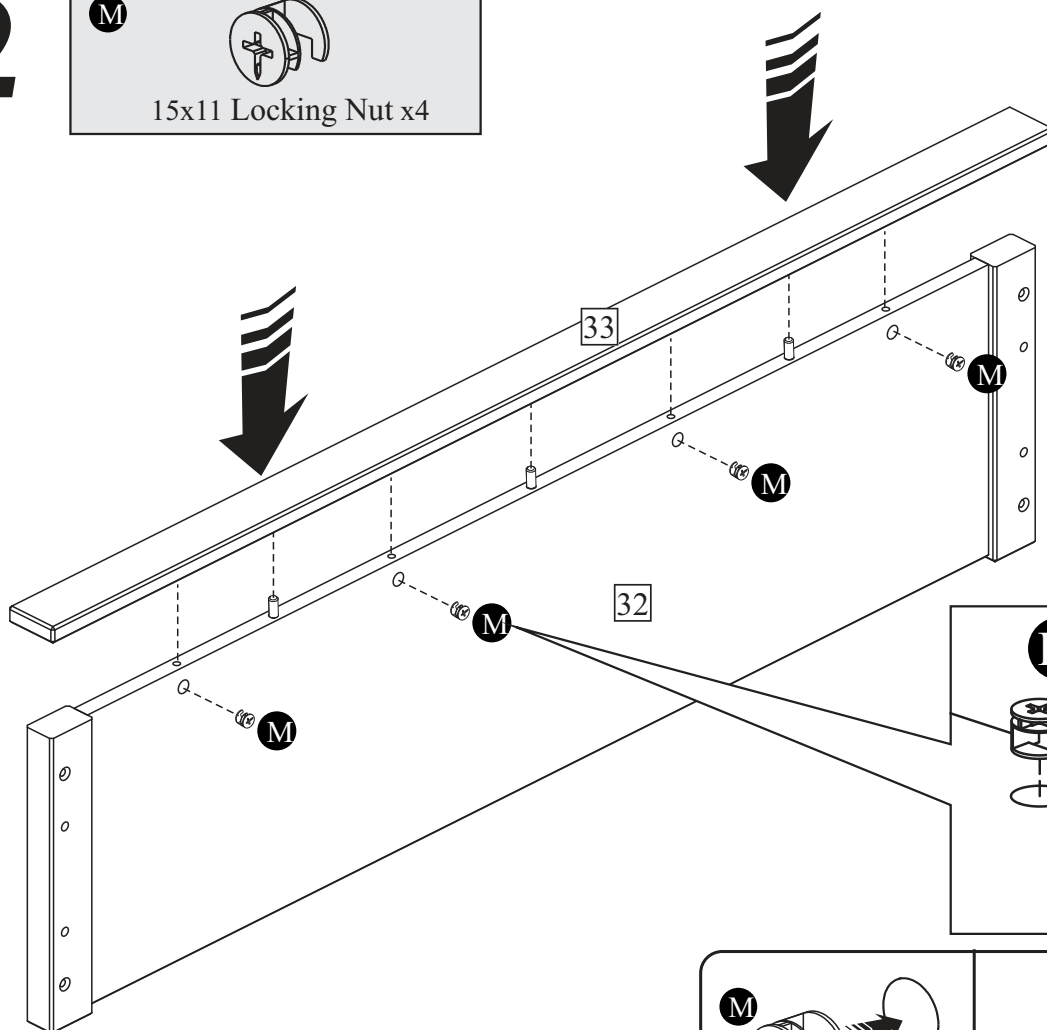
# 10



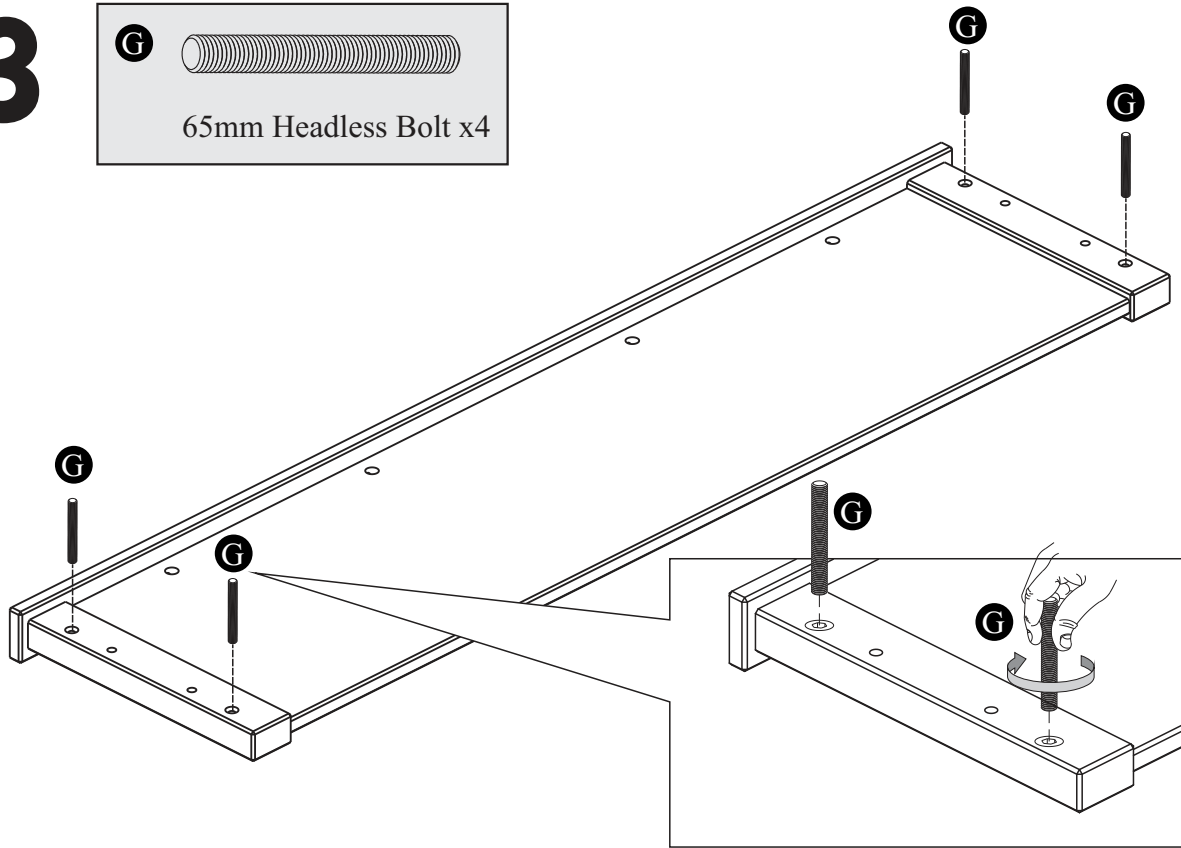
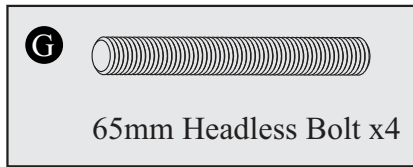
# 11



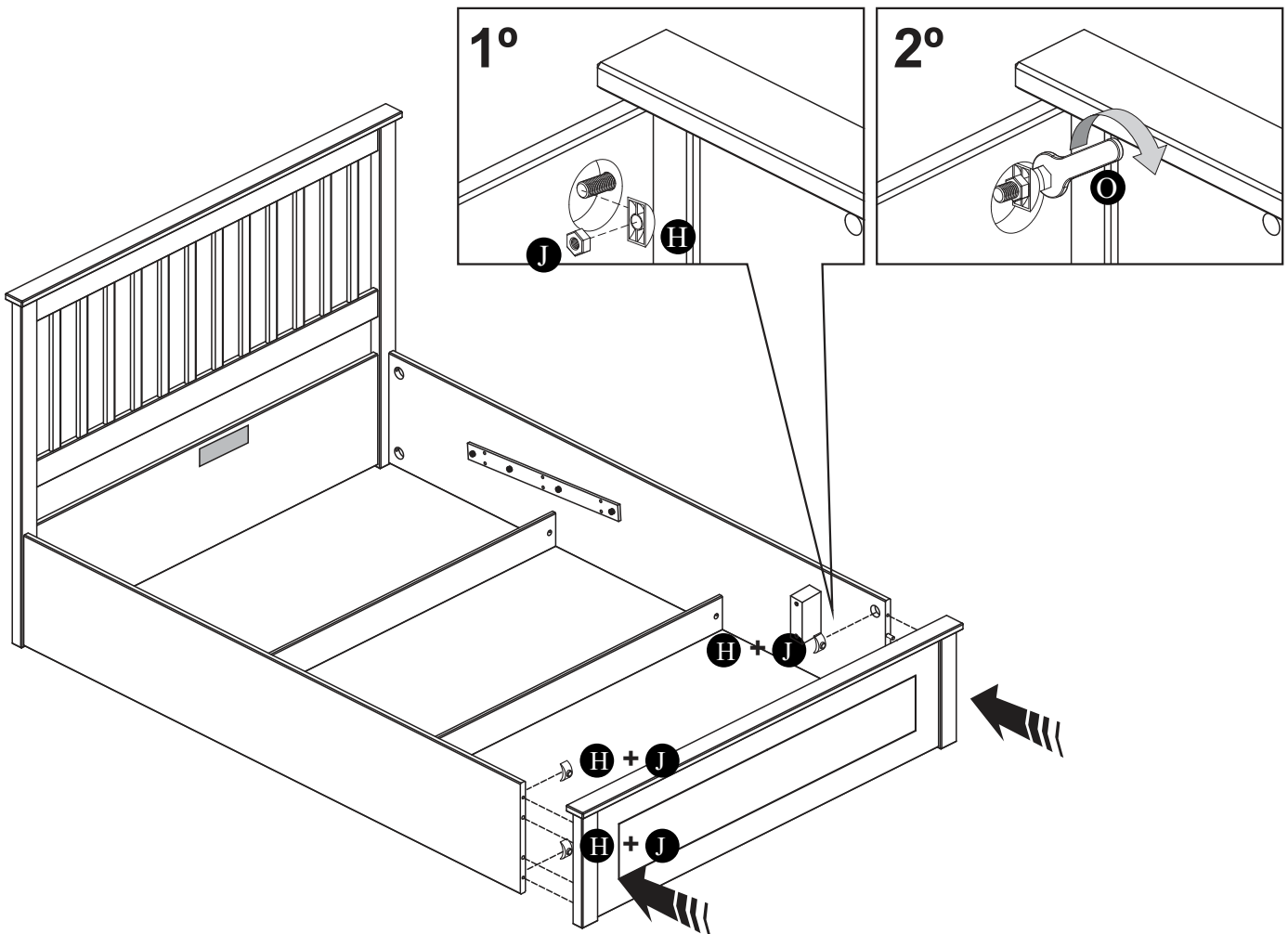
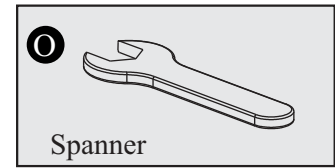
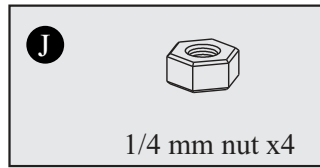
# 12



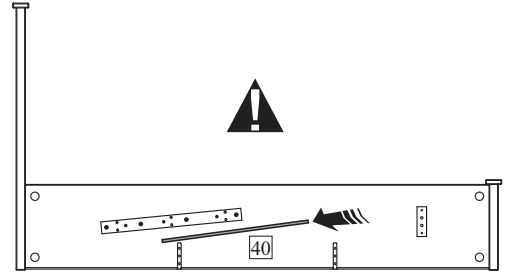
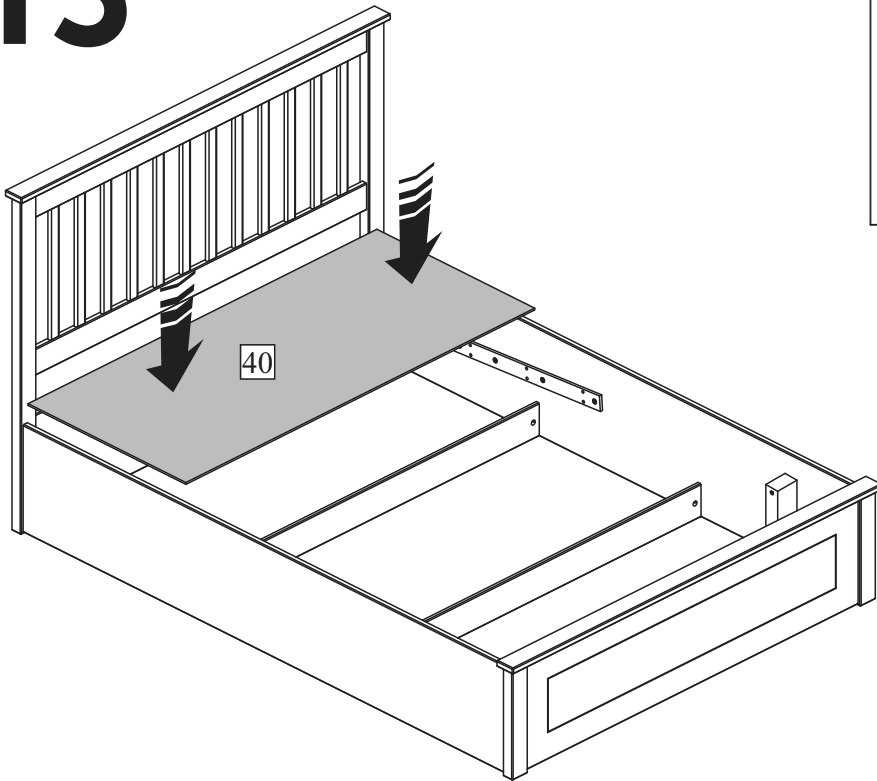
# 13



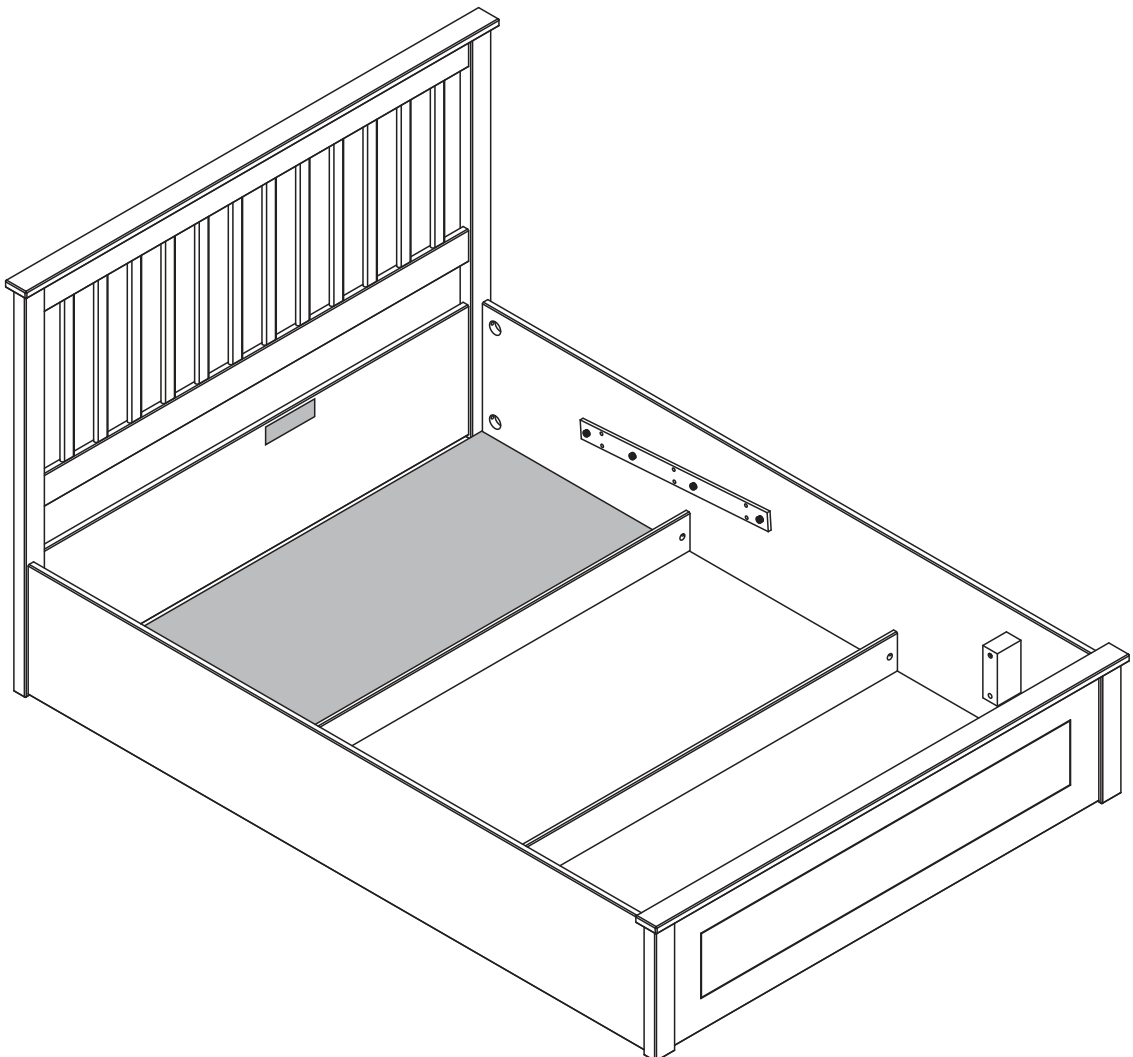
# 14



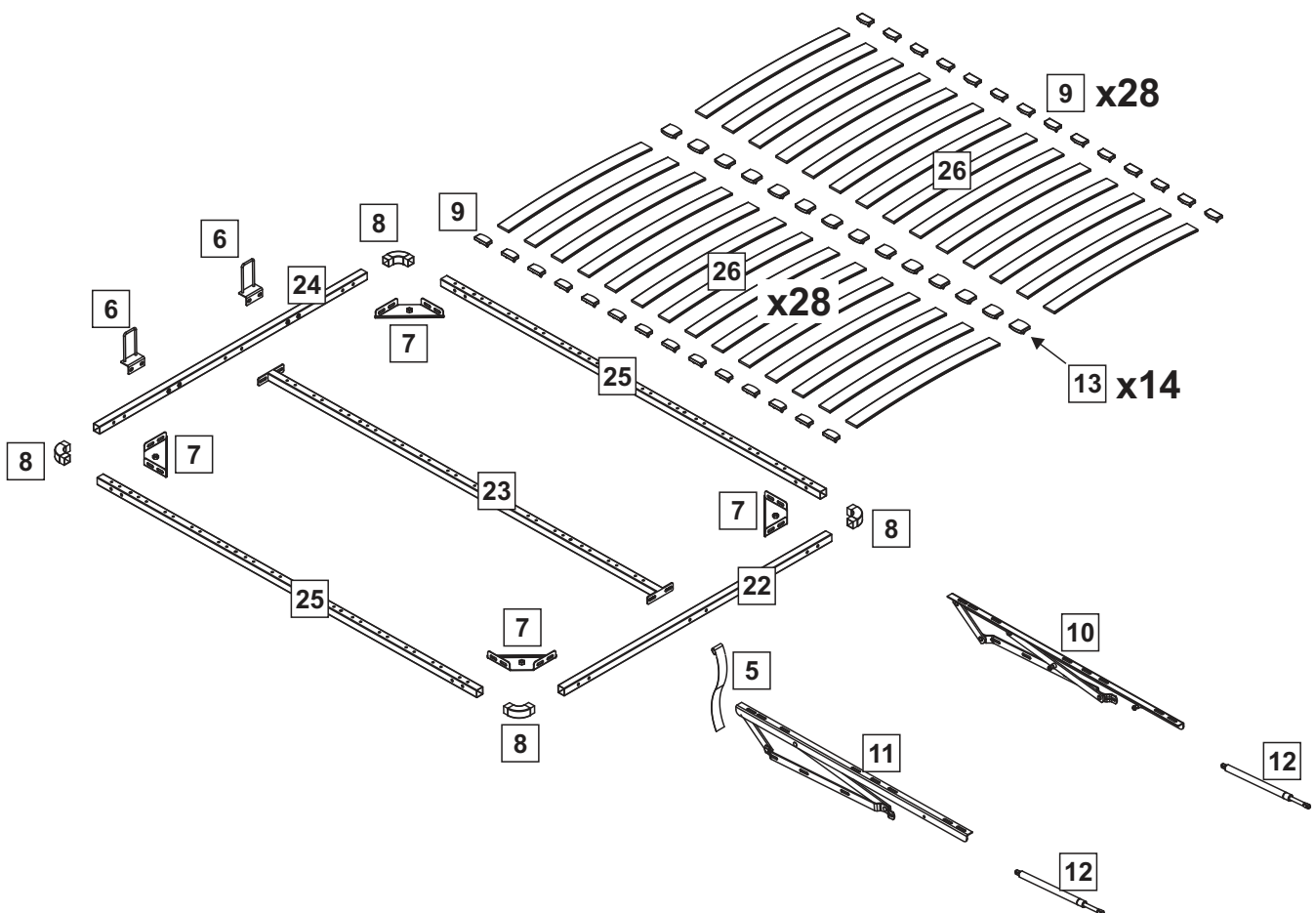
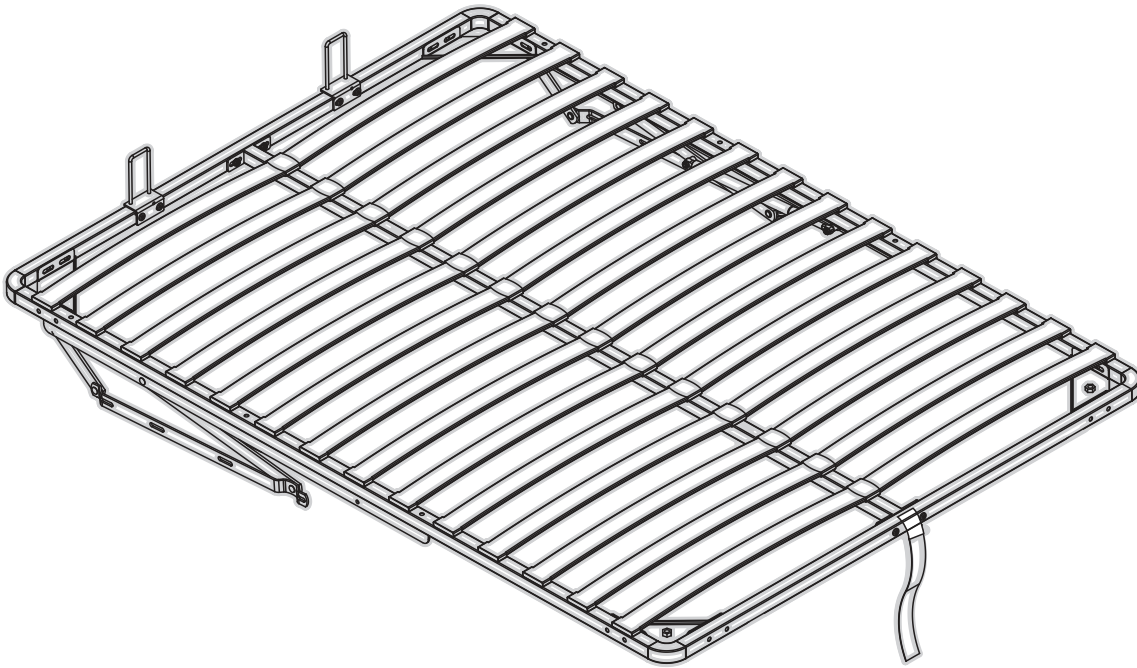
# 15



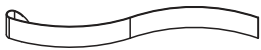
# 16



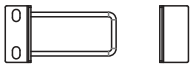
# Metal Structure



# Parts



5 Pull Strap **x1**



6 Mattress Stopper (110x60mm) **x2**



7 Metal Corner (235x105mm) **x4**



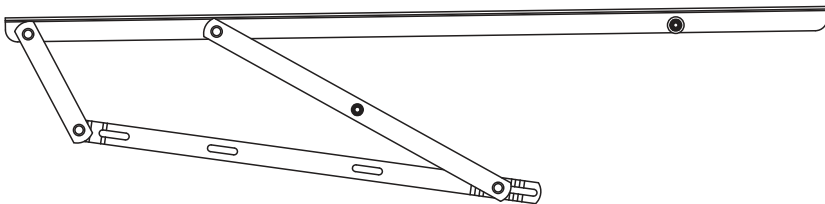
8 Plastic Corner (54x54x30mm) **x4**



9 Slats Cap (52x8mm) **x28**



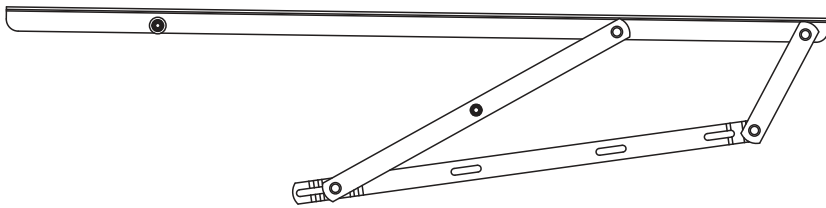
13 Slat Center Cap (57x8mm) **x14**



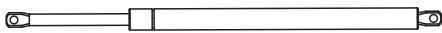
10 Right Hinge (910mm) **x1**



# Parts



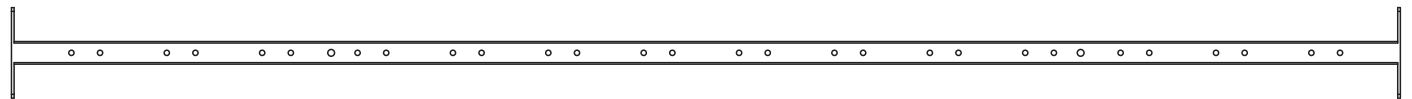
11 Left Hinge (910mm) **x1**



12 Hydraulic Piston (650N) **x2**



22 Footboard end Bar (1392x30x30mm) **x1**



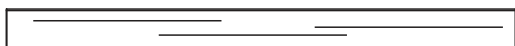
23 Center Bar (1842mm) **x1**



24 Headboard end Bar (1392x30x30mm) **x1**

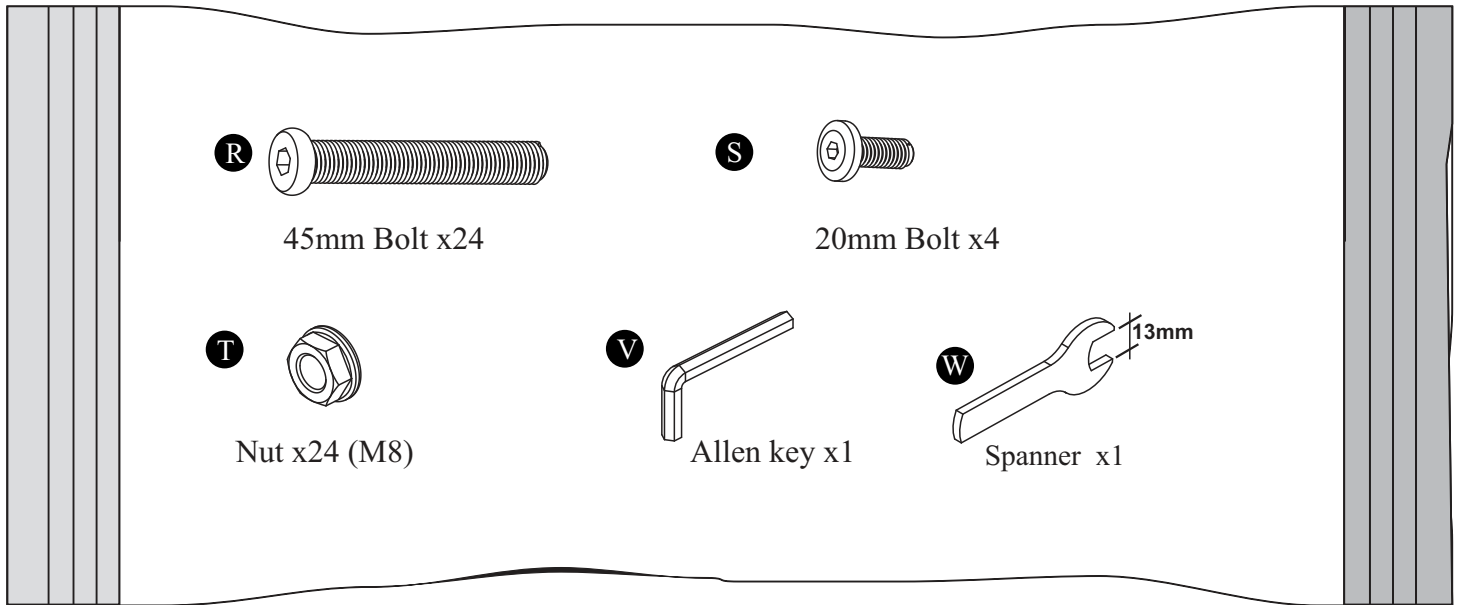


25 Side Bar (1890x30x30mm) **x2**



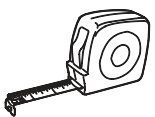
26 Slats (742x52mm) **x28**

# Fittings



---

## Tools required



Ruler/tape measure



Scissors



Phillips screwdriver (small & medium)

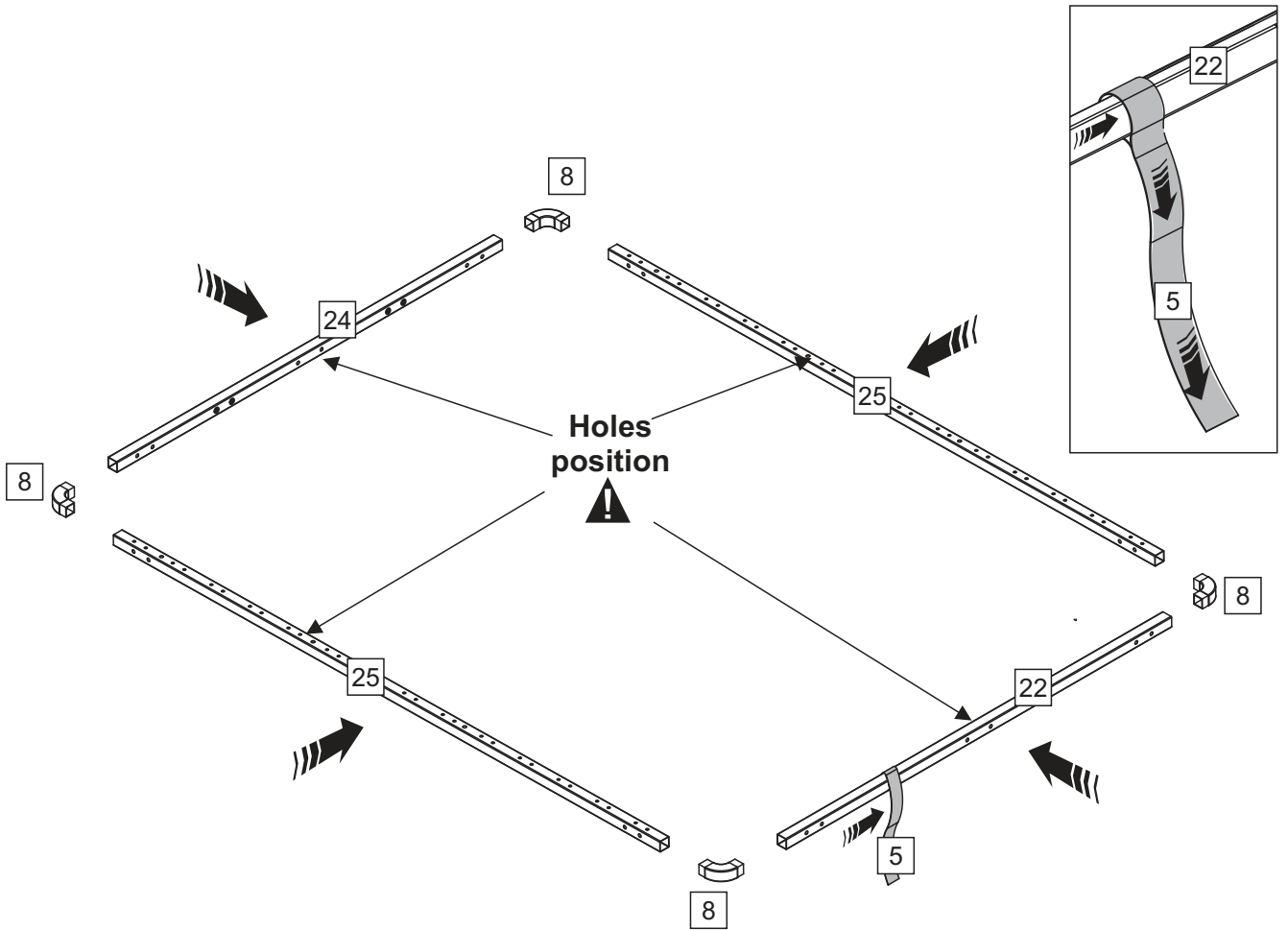


Not included

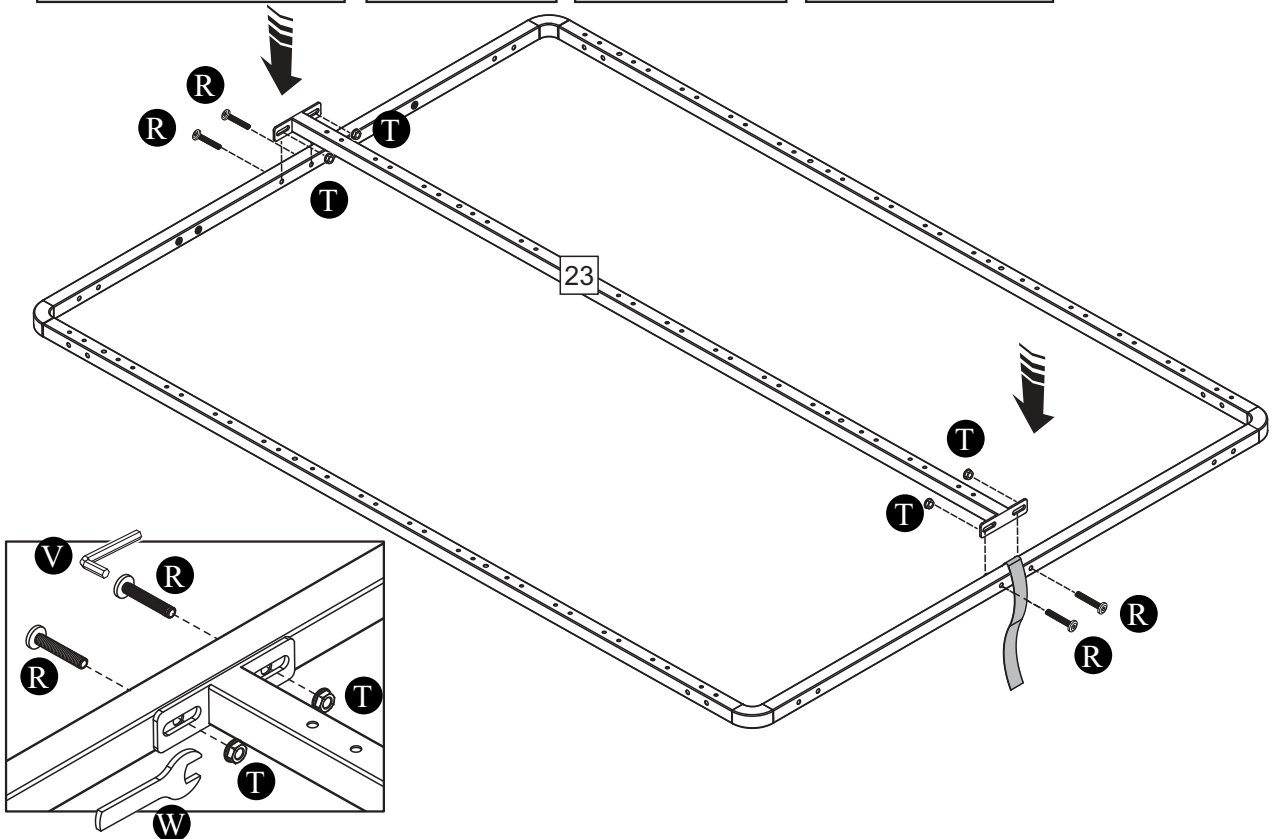
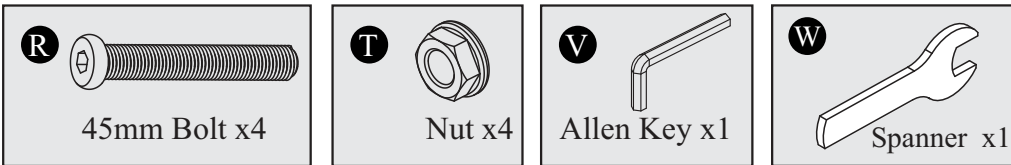


Eye protection (when using a hammer or glue)

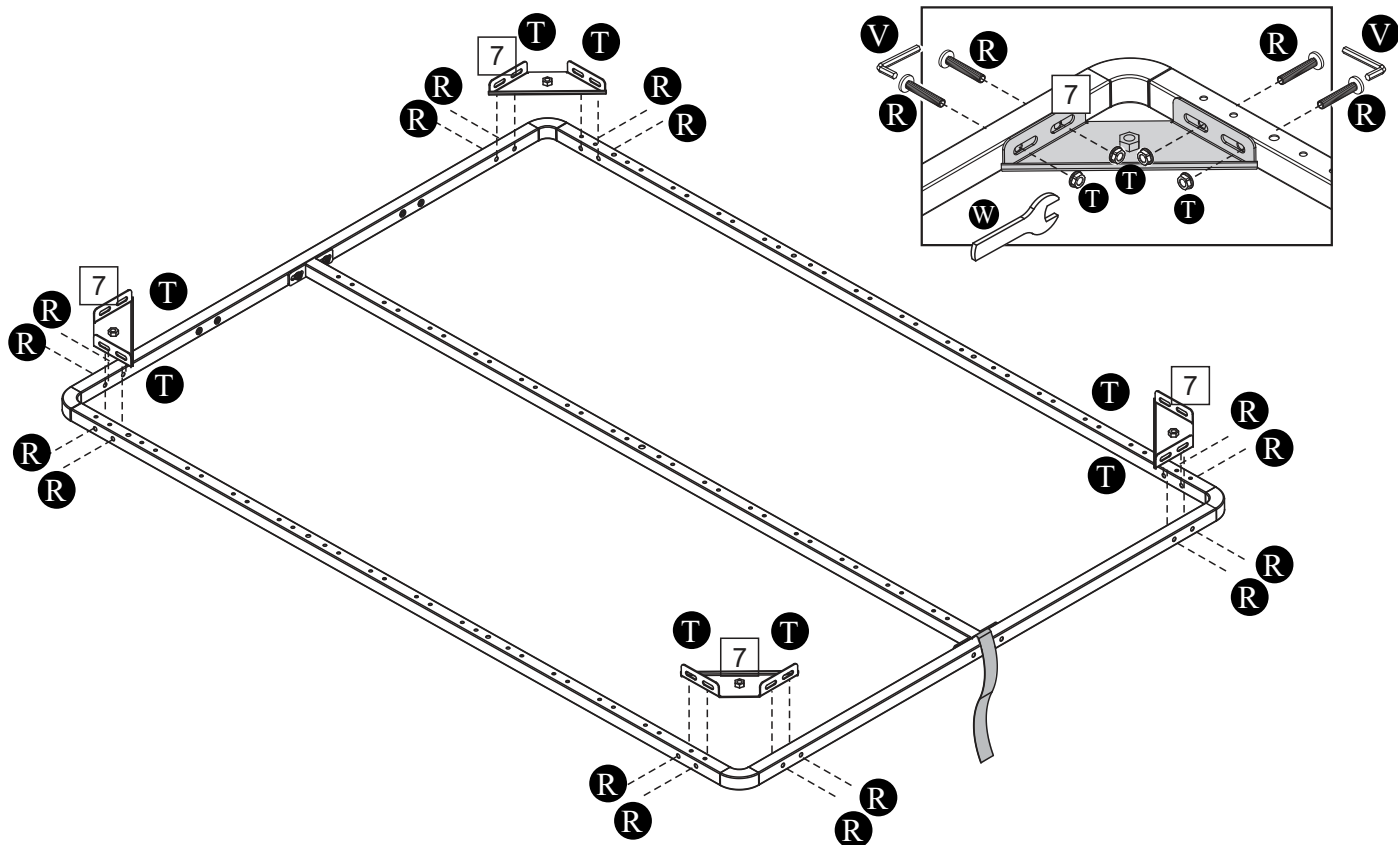
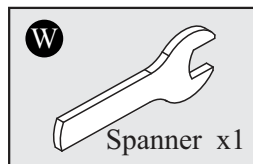
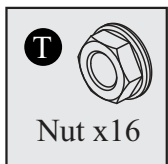
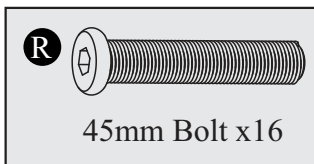
# 1



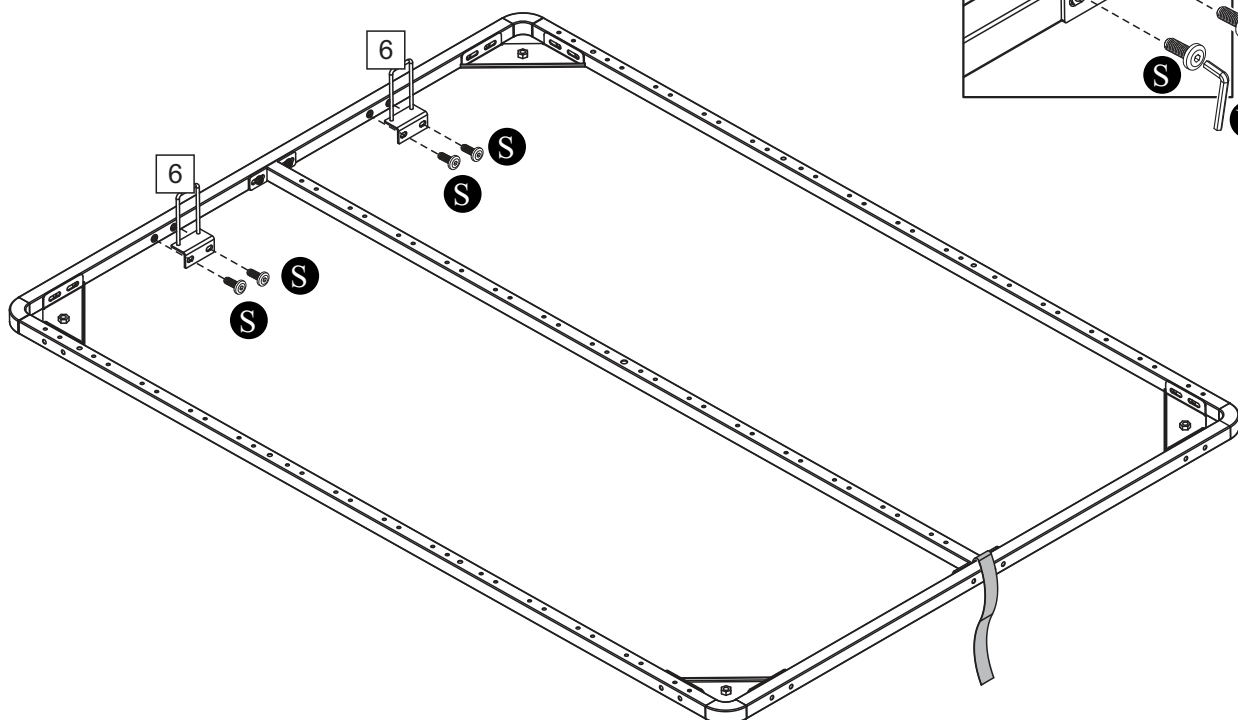
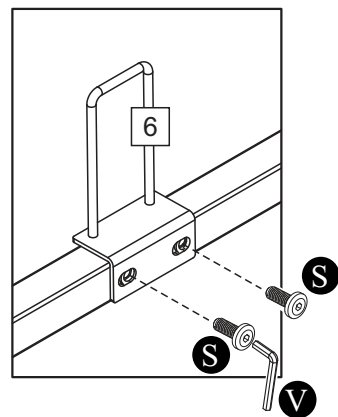
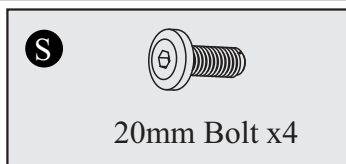
# 2



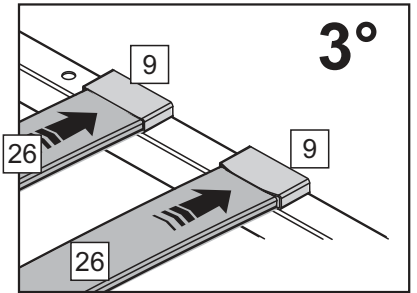
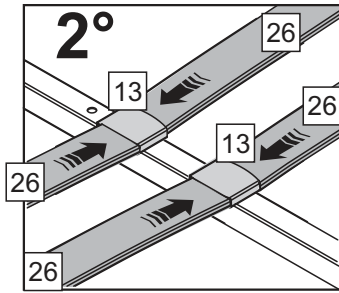
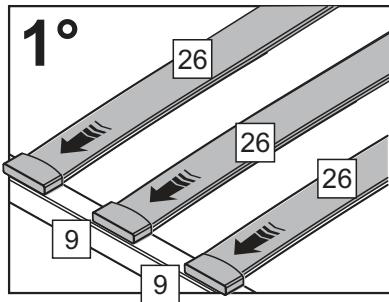
# 3



# 4

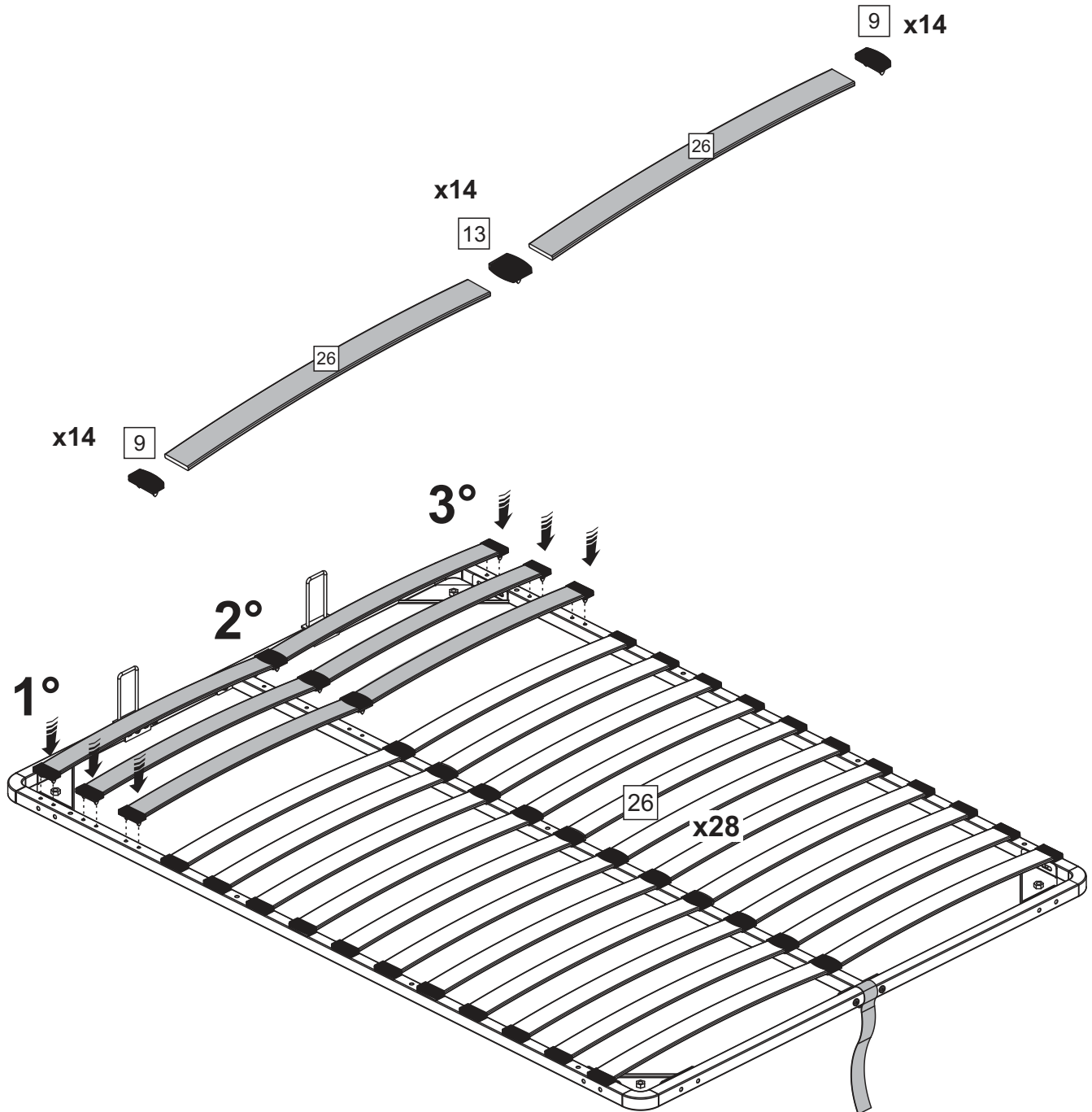


# 5

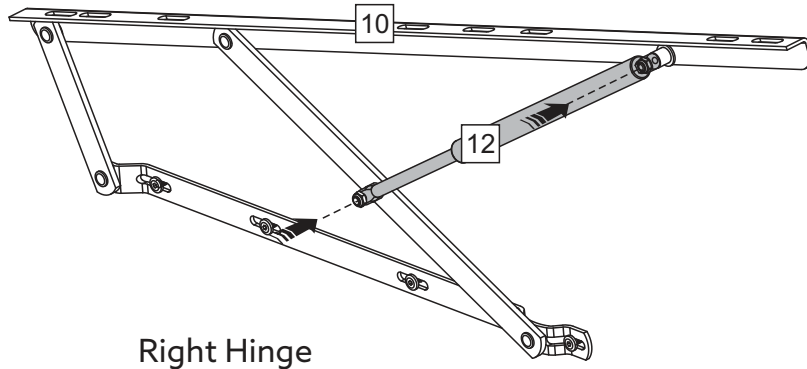


Insert the Slats (26)

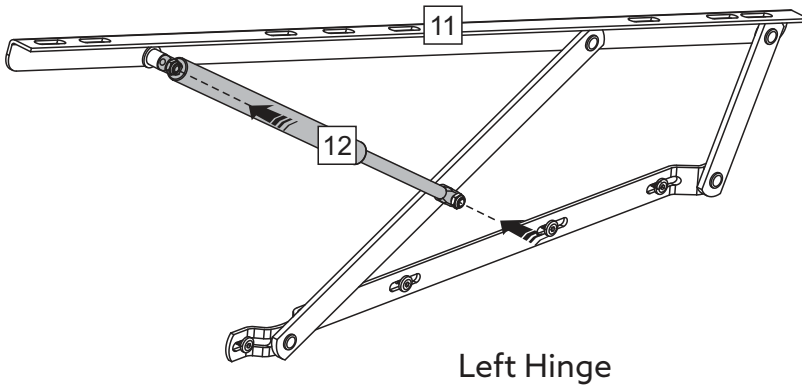
To hardware parts (9) and (13) then press into the base making sure they are secure.



# 6



Right Hinge

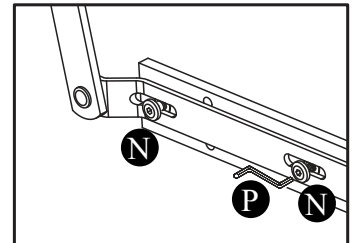
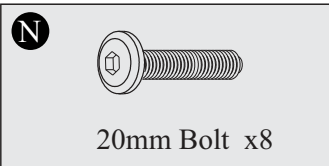
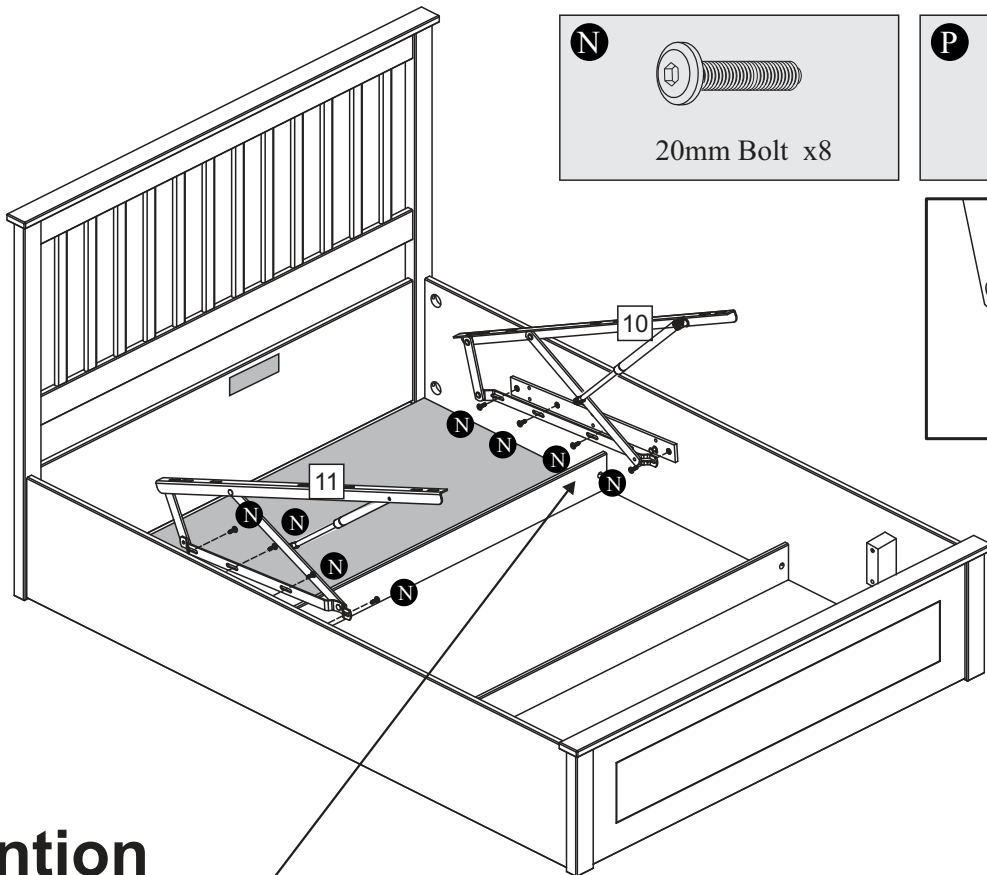


Left Hinge

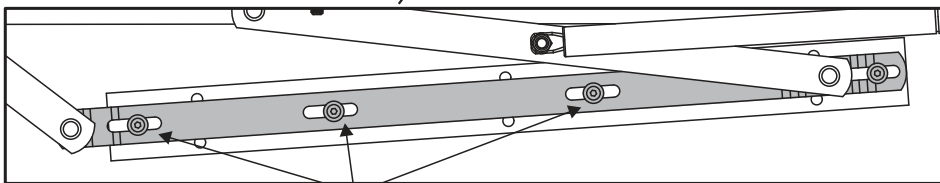


Not included

# 7

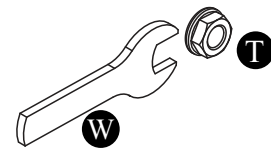
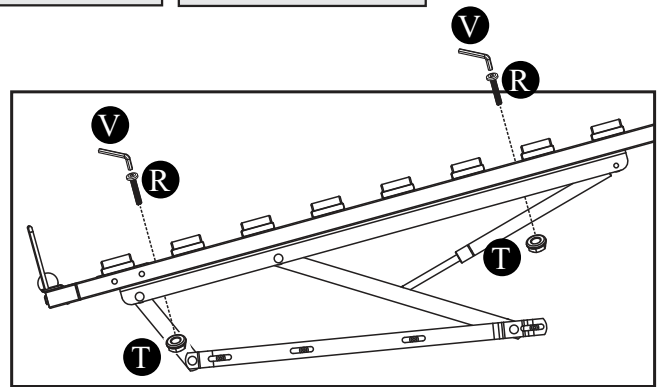
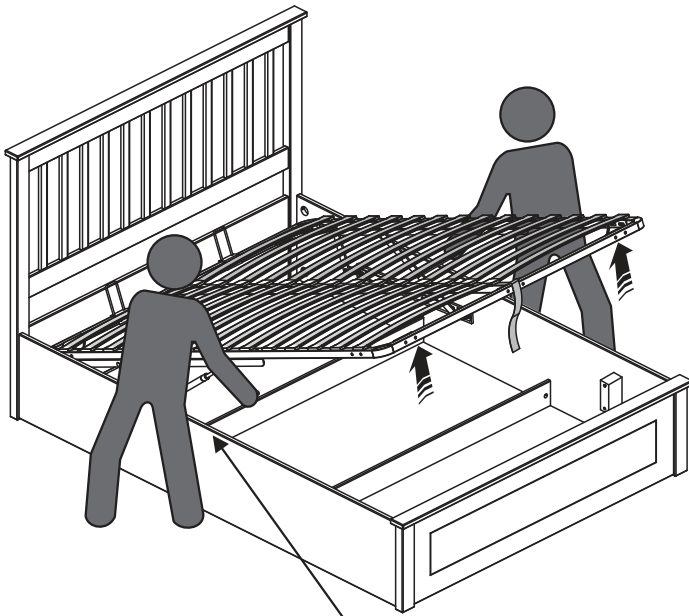
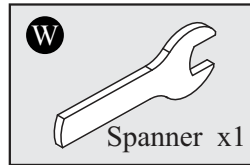
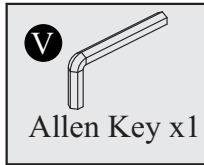
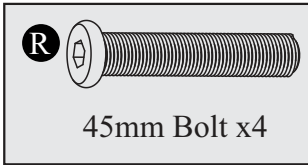


## Attention

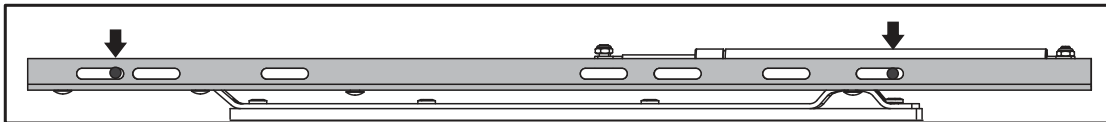


- 1°. Centralize bolts into the holes.  
Finish tighten bolts after adjustment, see Step 8

# 8

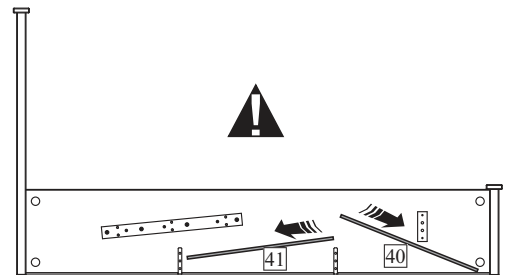
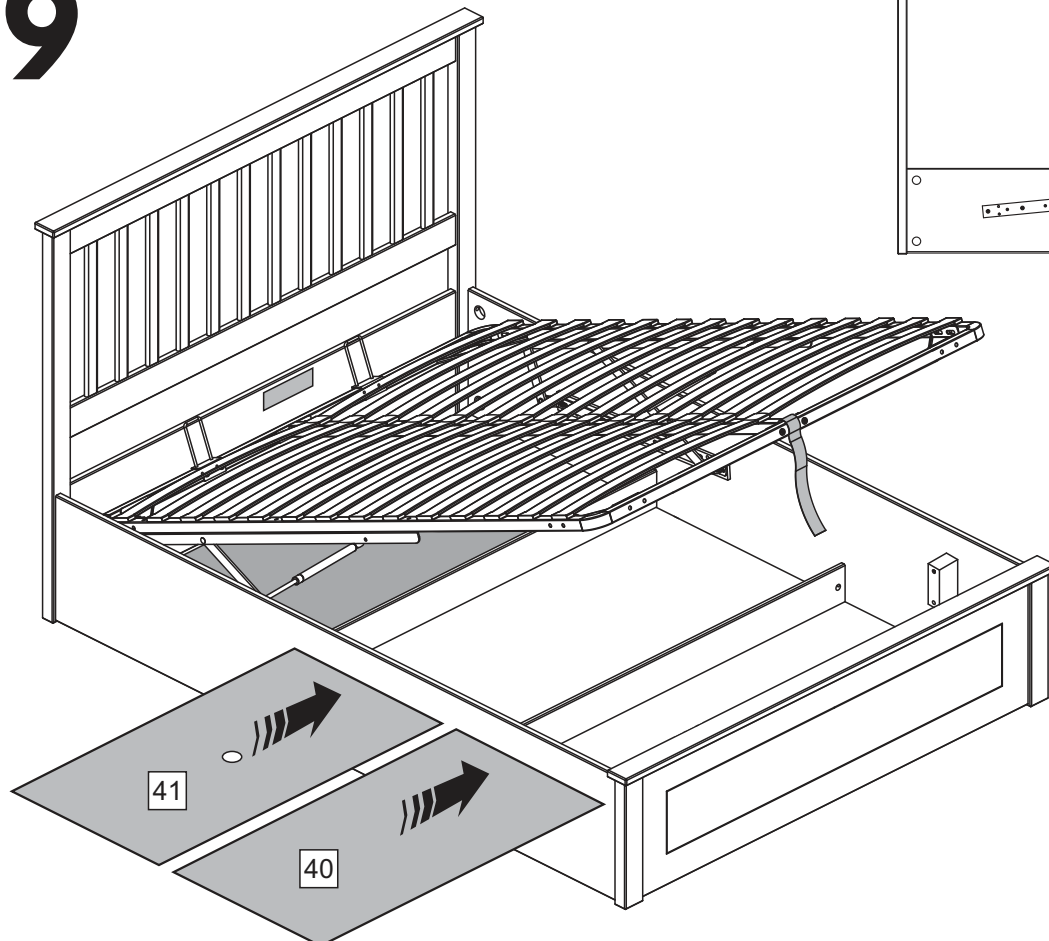


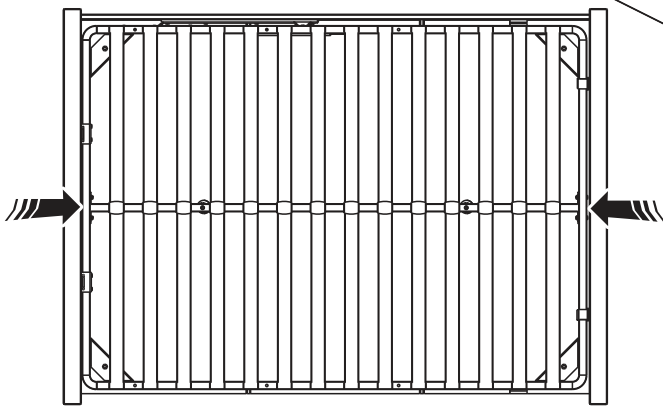
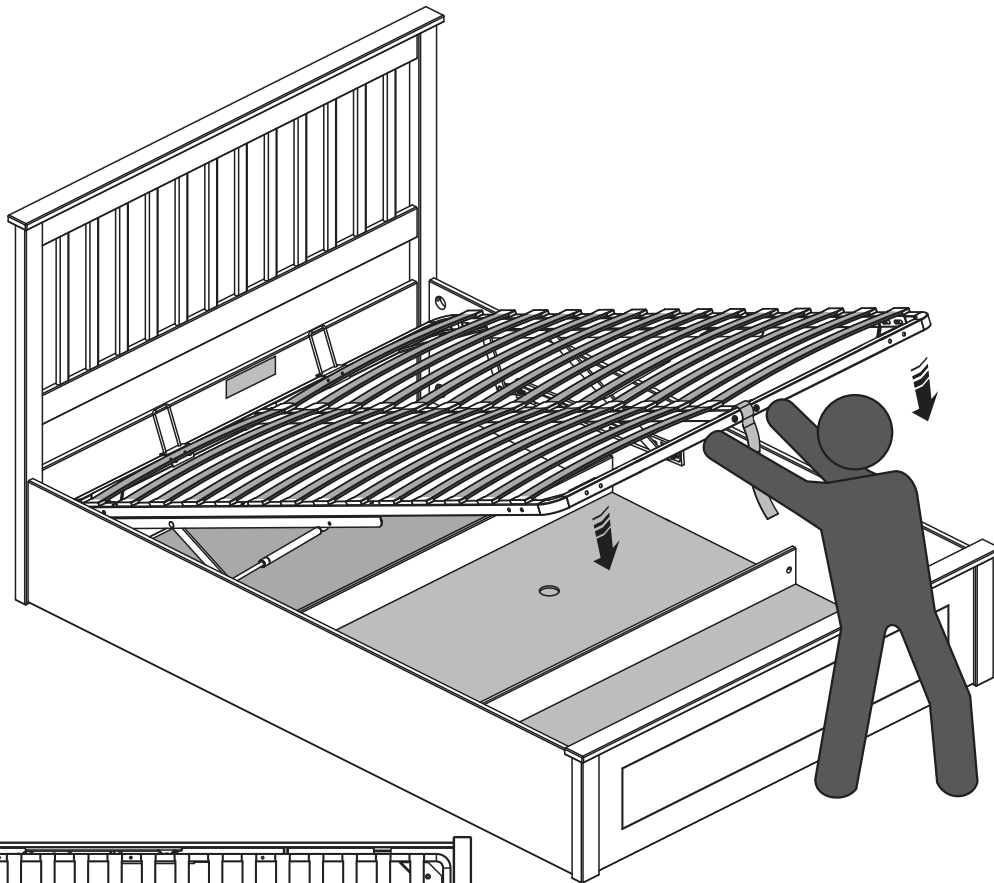
## Attention



- 10** Centralize bolts into the holes.  
Finish tighten bolts after adjustment, see Step 7

# 9





**Attention:**

Adjust bed base making sure it is centralized between headboard and footboard. After adjusting then tighten all bolts from step (7) and step (8).

