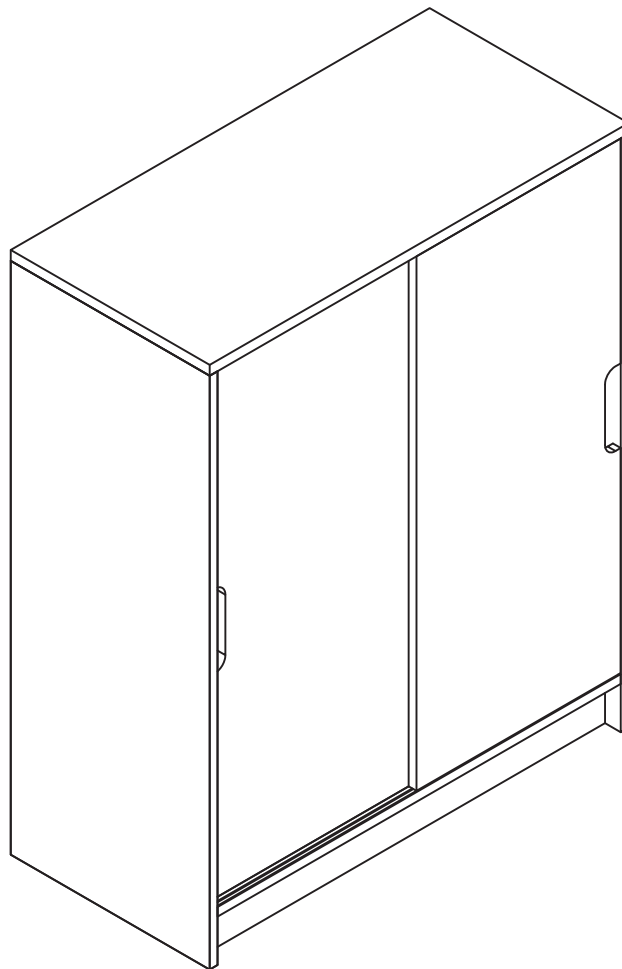


Chloe

 habitat

Sliding Door Shoe Cabinet




Spare Parts

 www.argos-support.co.uk

 Help@ClickSpares.co.uk

 0370 112 1928

Customer Support

 0345 640 2020

Safety and Care Advice

Product Details

Chloe SLIDING DOOR SHOE CABINET WHITE -454/1352
Chloe SLIDING DOOR SHOE CABINET GREY-341/8400

IMPORTANT, RETAIN FOR FUTURE REFERENCE: READ CAREFULLY.

- Keep children and animals away from the work area, small parts could choke if swallowed.
- Make sure you have enough space to layout the parts before starting.
- This product has been constructed to be used in the domestic environment only and not for commercial purposes.

- Assemble the item as close to its final position (in the same room) as possible.
- Assemble on a soft level surface to avoid damaging the unit or your floor.



- We do not recommend the use of power drill/ drivers for inserting screws as this could damage the unit.

Only use hand screwdrivers.

- Parts of the assembly will be easier with 2 people.
- Dispose of all packaging carefully and responsibly.

Care and maintenance

-
- Only clean using a damp cloth and mild detergent. Do not use abrasive cleaners.
 - Use a dry cloth to clean the product, furniture polish is not recommended.

- From time to time check that there are no loose screws, nuts or bolts. If there are please re-tighten.

- This product should not be discarded with household waste. Take to your local authority waste disposal centre.

Additional Guidance

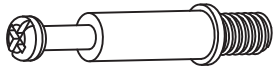
-
- Assemble all parts and bolts loosely during assembly, only once the product is complete should you fully tighten the bolts.
 - Regularly check and ensure that all bolts and fittings are tightened properly.
 - This product is compliant BS EN 14749.

Habitat, Argos Limited and Sainsbury's Supermarkets Ltd, London EC1N 2HT, UK. Argos (N.I.) Ltd and Sainsbury's (NI) Ltd. Forestside Shopping Centre, Upper Galwally, Belfast, BT8 6FX, UK.

Fittings

Bag 1

A



35mm Male Camlock x16

B



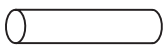
Female Camlock x16

C



30mm Wooden Dowel x14

D



Shelf Support x16

E



12mm Screw x32

F



Sliding Door Roller x 4

G



Sliding Door Roller x 4

H



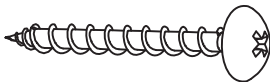
Backboard Buckle x12

I



14mm Screw x12

J



35mm Screw x1

K



Wall Plugs x1

L



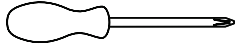
Safety Strap x1

M

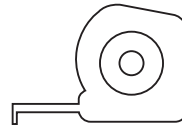


12mm Screw x1

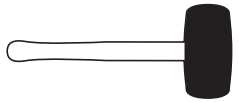
Tools required



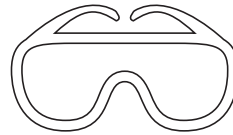
Phillips screwdriver
(small & medium)



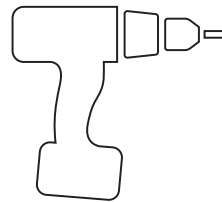
Ruler/tape
measure



Mallet

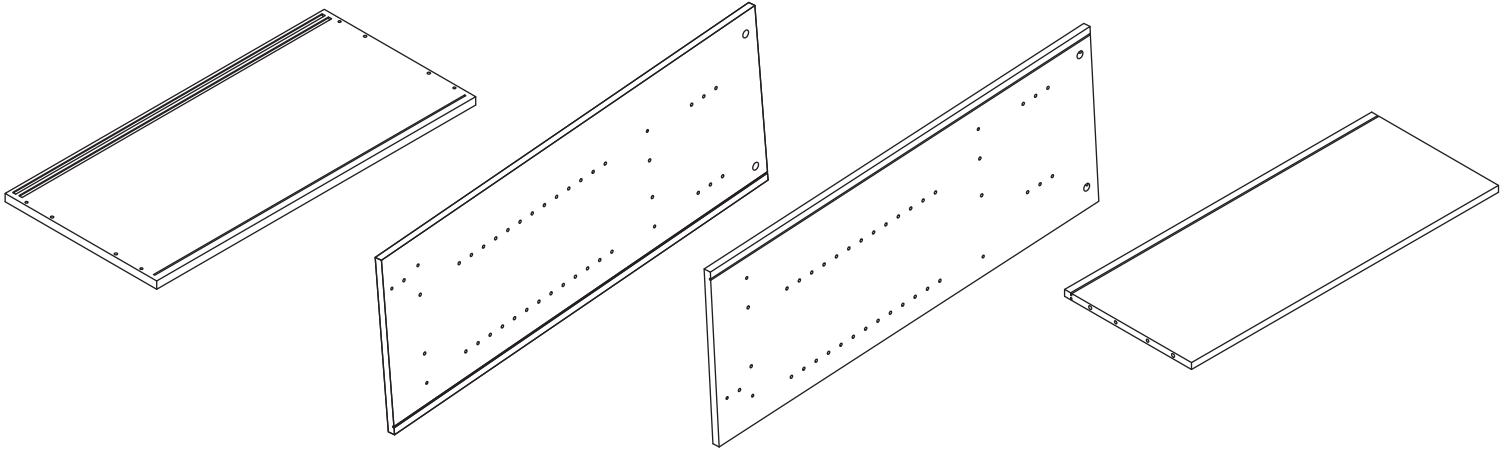


Eye protection
(when using a hammer
or glue)



Power drill

Panels

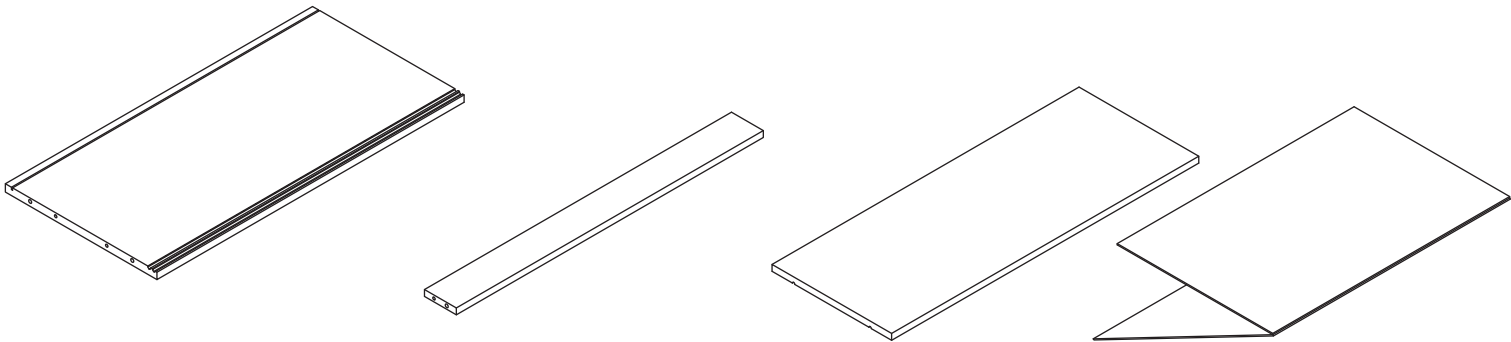


1 Top Panel x 1
(800 x 380mm)

2 Left Side Panel x 1
(982 x 380mm)

3 Right Side Panel x 1
(982 x 380mm)

4 Middle Panel x 1
(762 x 315mm)

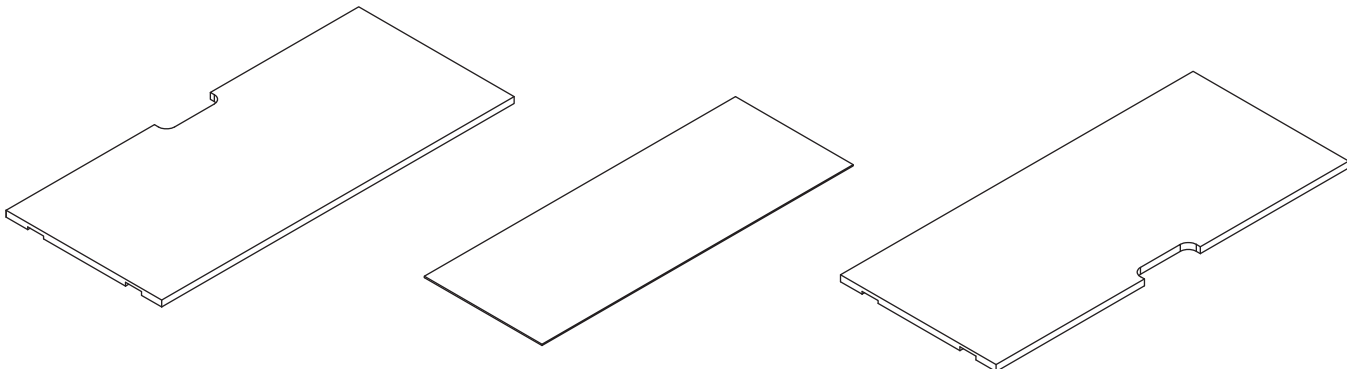


5 Bottom Panel x 1
(762 x 380mm)

6 Front Panel x 1
(762 x 82mm)

7 Shelf x 4
(761 x 300mm)

8 Back Panel x 1
(772x 592mm)

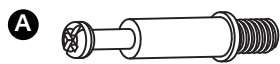


9 Left Door x 1
(875 x 385mm)

10 Back Panel x 1
(772 x 295mm)

11 Right Door x 1
(875 x 385mm)

1



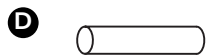
35mm Male Camlock x16



Female Camlock x16



30mm Wooden Dowel x14



Shelf Support x16



12mm Screw x32



Sliding Door Roller x 4



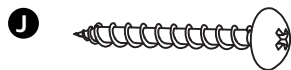
Sliding Door Roller x 4



Backboard Buckle x12



14mm Screw x12



35mm Screw x1



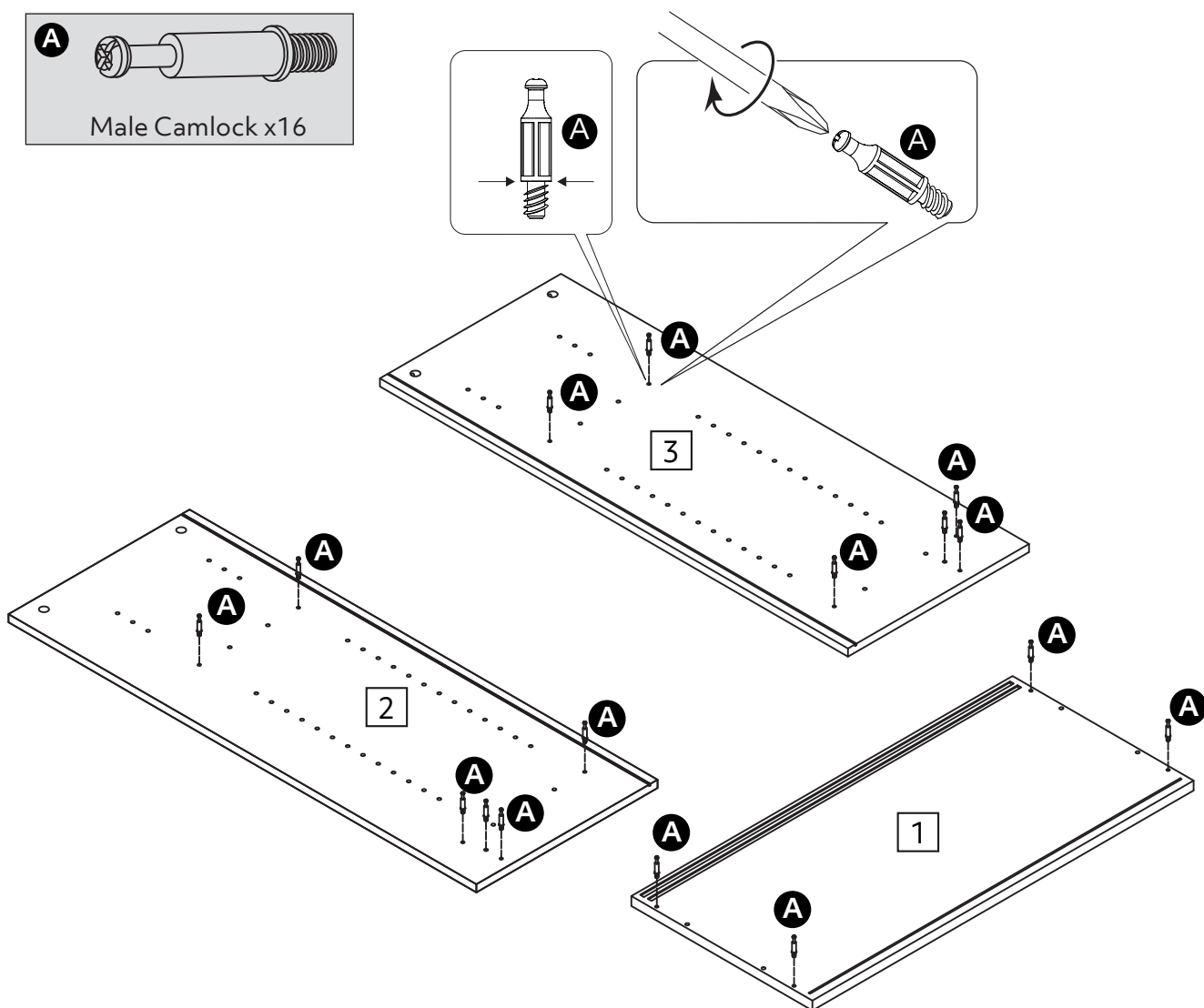
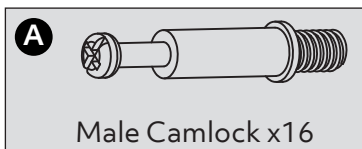
Wall Plugs x1



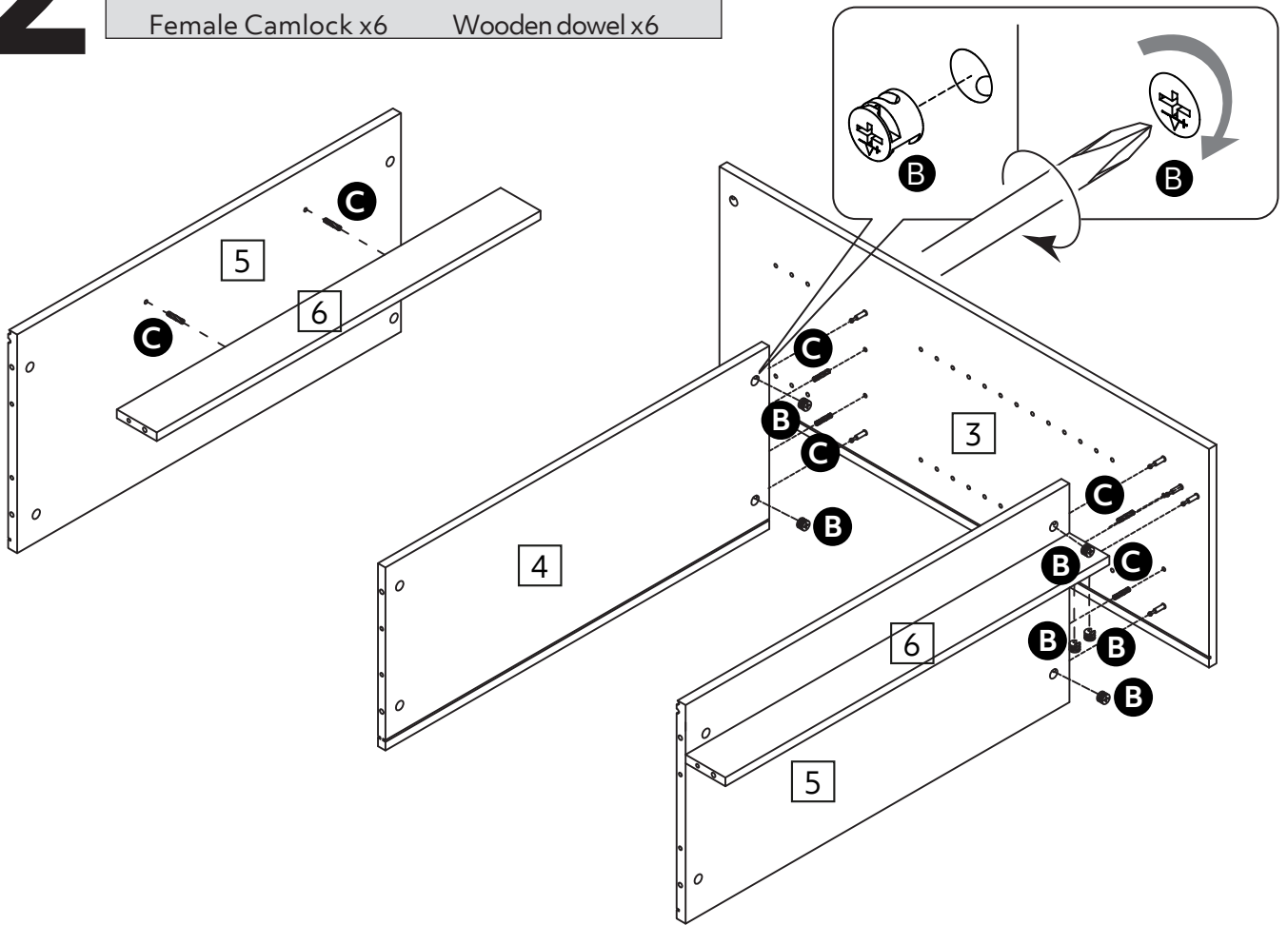
Safety Strap x1



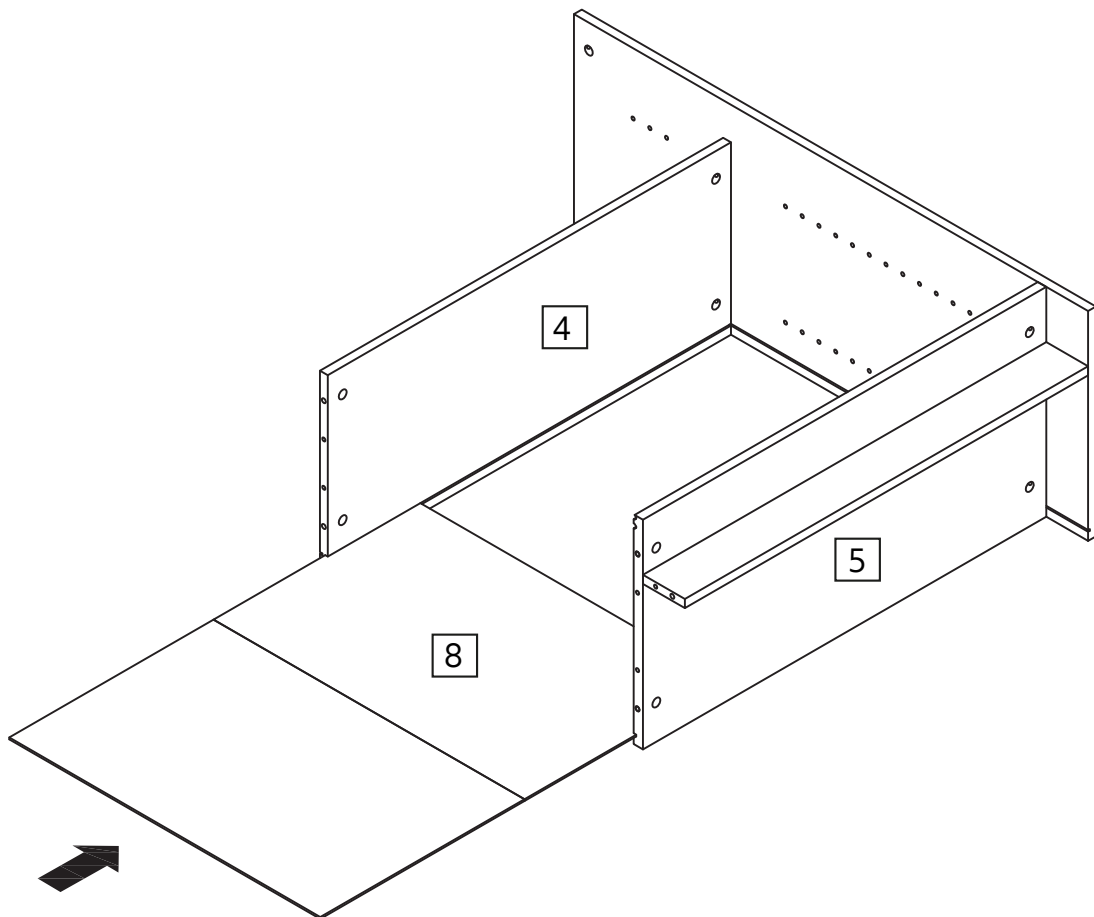
12mm Screw x1



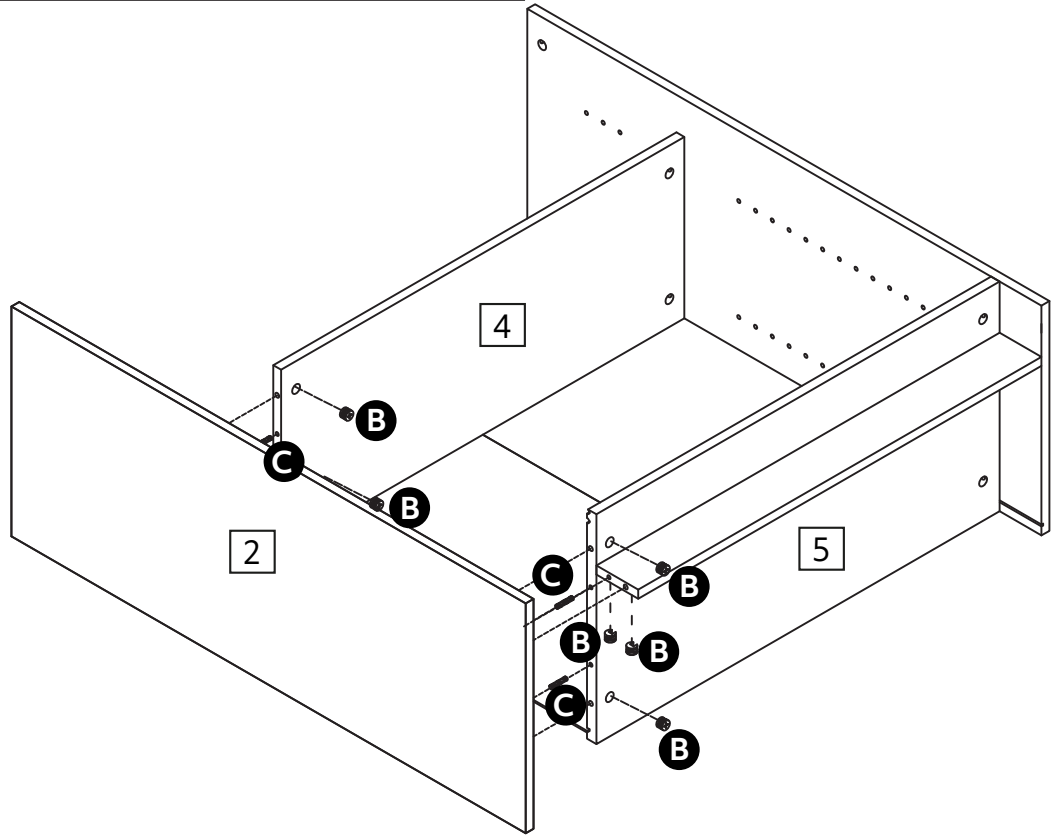
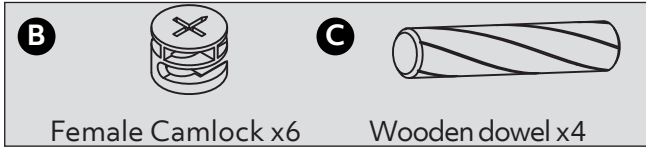
2



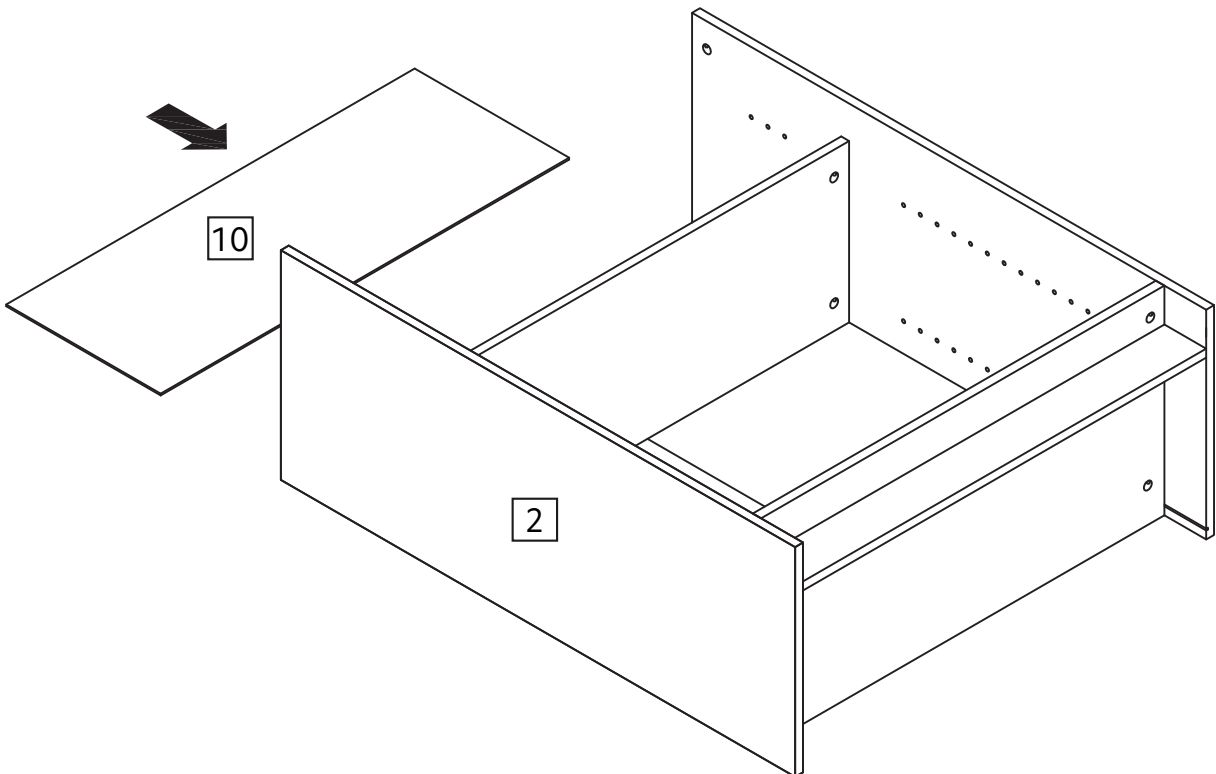
3



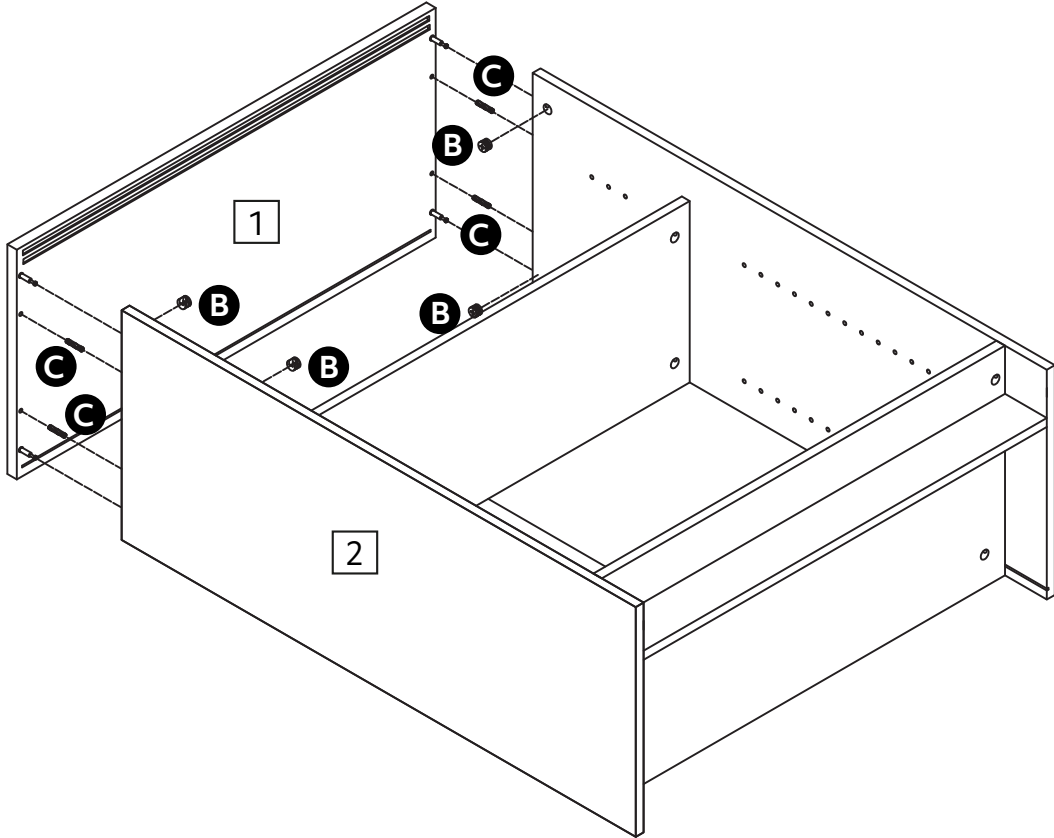
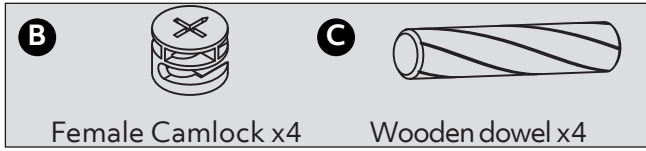
4



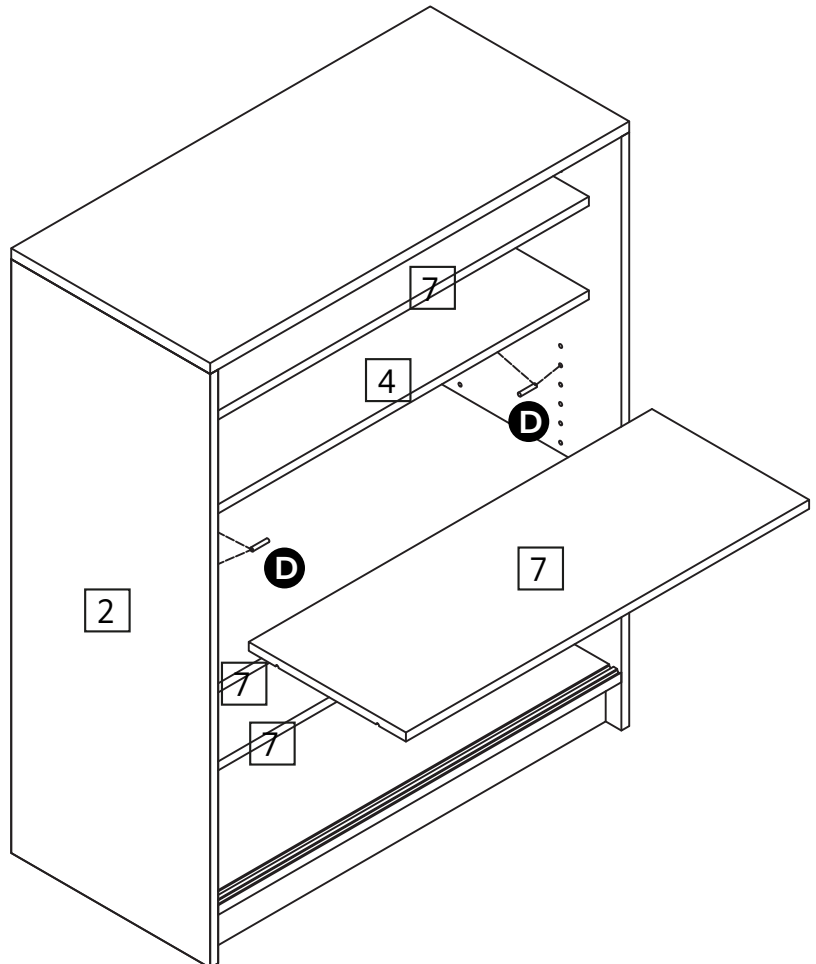
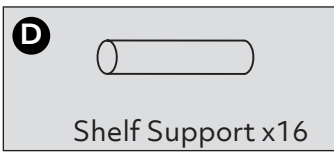
5



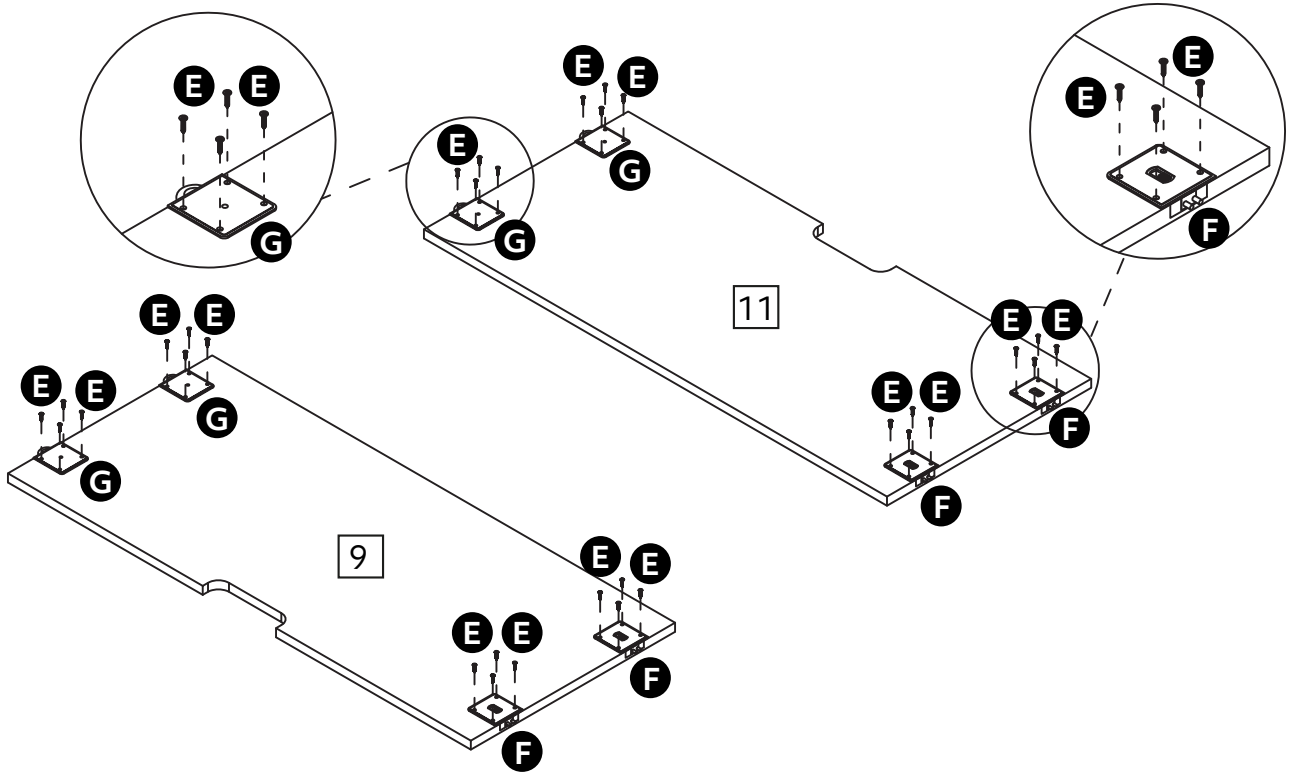
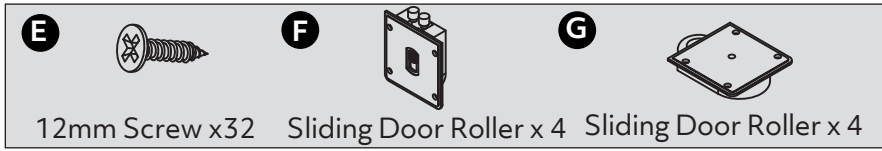
6



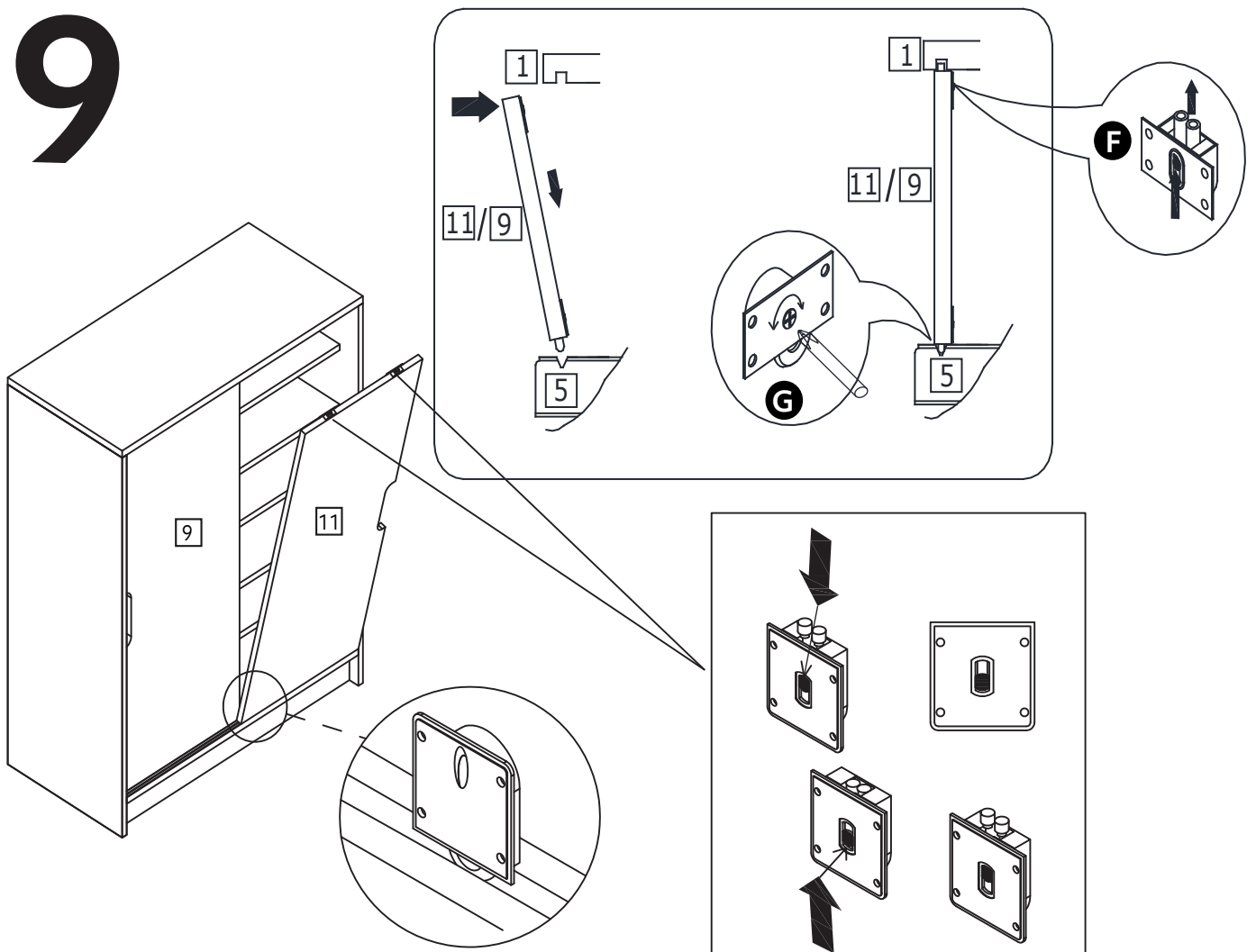
7




8





9

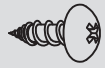


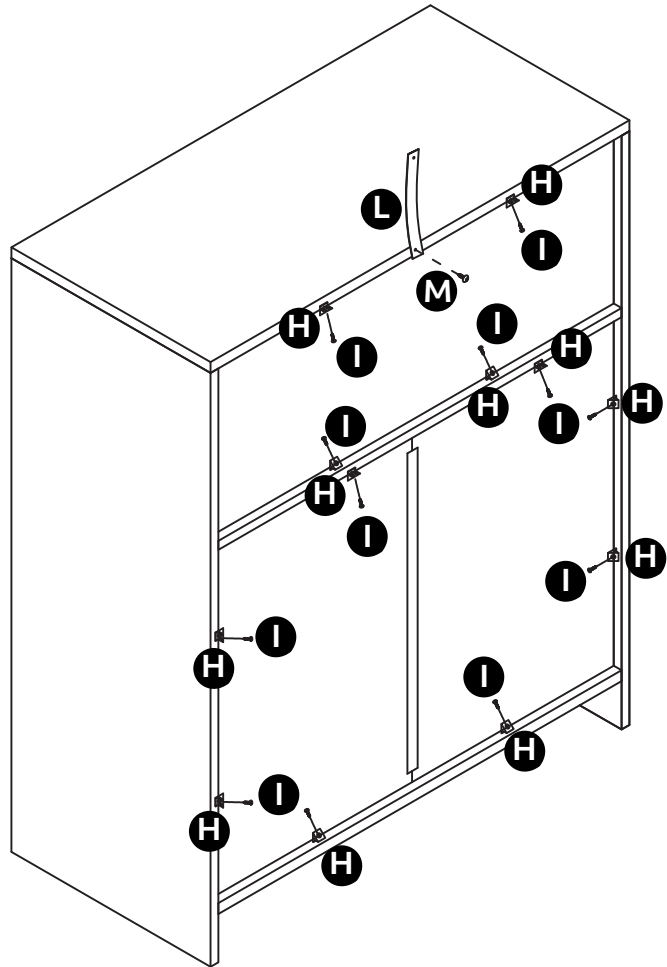
10

H  Backboard buckle x12


I  14mm Screw x12


L  Safety strap x1

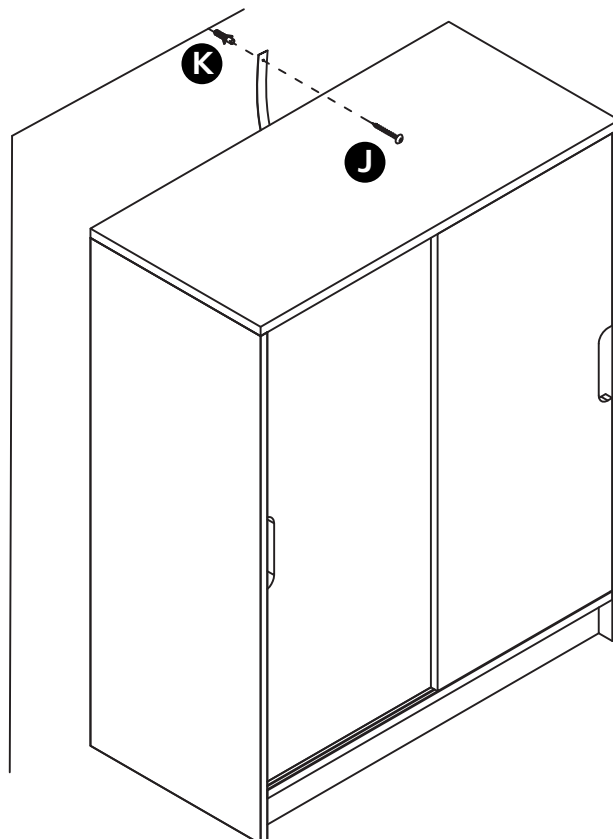
M  12mm Screw x1



11

J  35mm Screw x1

K  Wall Plugs x1



WARNING!

IN ORDER TO PREVENT OVERTURNING
THIS PRODUCT MUST BE USED WITH
THE WALL ATTACHMENT DEVICE
PROVIDED

A Guide to Wall Mounting & Fixings

Important note:

If plastic wall plugs (rawl plugs) are supplied with your product, eg:



- these are suitable for use in masonry walls

If you are in any doubt about the correct wall plugs for your wall, seek professional advice.

Failure of the product due to using the incorrect fixings is the responsibility of the installer.



Important: when drilling into walls always check that there are no hidden wires or pipes etc.



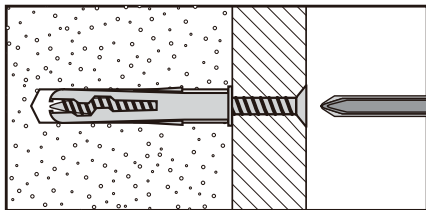
Hints:

1. General rule: always use a larger screw and wall plug if you are not sure.
2. Ensure you use the recommended drill bit to match the wall plug and hole size.
3. Ensure you drill the hole horizontally; do not force the drill or enlarge the hole.
4. Take extra care when drilling high walls, ceilings and ceramic tiles. Ensure wall plugs are inserted beyond the thickness of the ceramic tiles to avoid the tiles splitting or cracking.
5. Ensure wall plugs are well fitted and are a tight fit in the drilled hole.

Types of walls

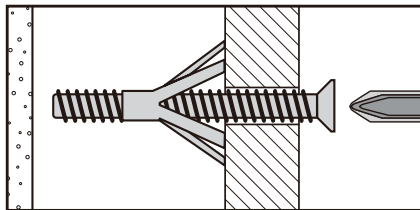
You can use one of the following types of wall plug if your walls are made of brick, breeze block, concrete, stone or wood.

No. 1 "General Purpose" wall plug



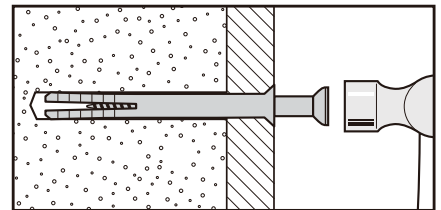
Generally aerated blocks should not be used to support heavy loads, use a specialist fitting in this case. For light loads, general purpose wall plugs can be used.

No. 3 "Cavity Fixing" wall plug



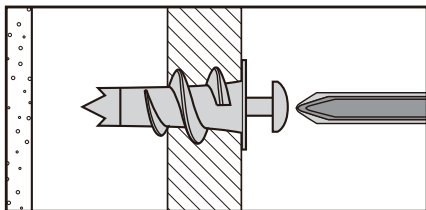
For use with plasterboard partitions or hollow wooden doors.

No. 5 "Hammer Fixing" wall plug



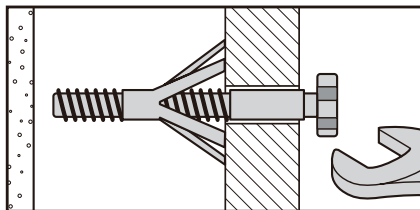
For use with walls stuck with plasterboard. The hammer fixing allows it to be fixed to the wall rather than the plasterboard. Always check the fixing is secure to the retaining wall.

No. 2 "Plasterboard" wall plug



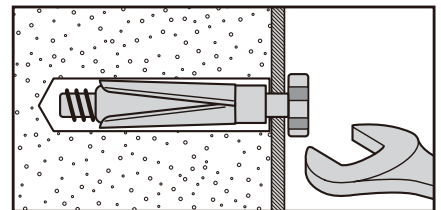
For use when attaching light loads onto plasterboard partitions.

No. 4 "Cavity Fixing - Heavy Duty" wall plug



For use when fitting or supporting heavy loads such as shelving, wall cabinets and coat racks.

No. 6 "Shield Anchor" wall plug - heavy loads



For use with heavier loads such as TV and HiFi speakers and satellite dishes etc.



Care & Maintenance

Safety: Always check the fitting and location to ensure your safety in and around the home.

Fitting: From time to time check the fitting to ensure the wall plugs or screws do not become loose.