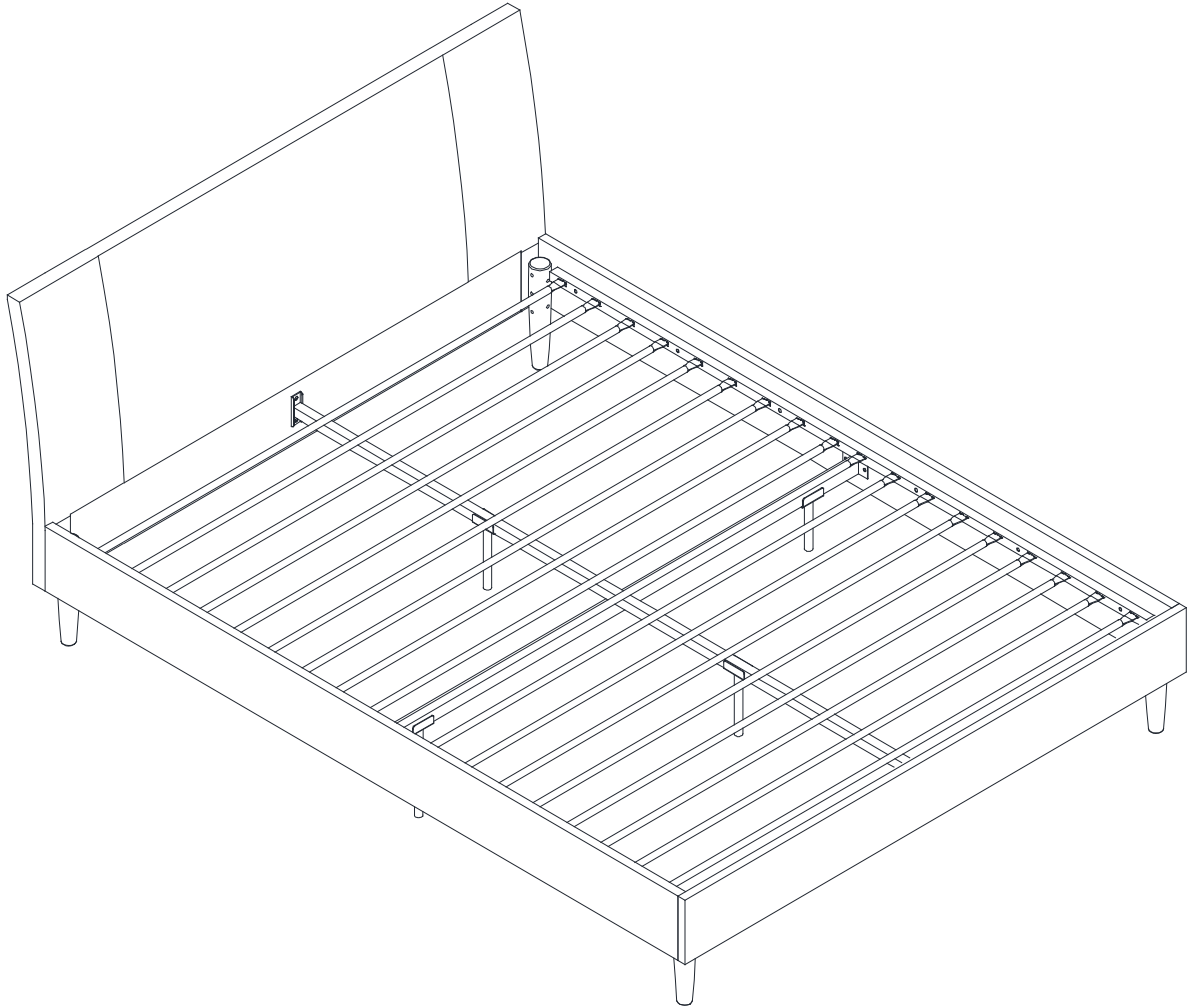



Mondial Bed HOME




Spare Parts

 www.argos-support.co.uk

 Help@ClickSpares.co.uk

 0370 112 1928

Customer Support

 0345 640 2020



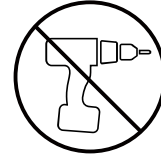
Safety and Care Advice

Product Details

MONDIAL 5FT 3208081

IMPORTANT, RETAIN FOR FUTURE REFERENCE: READ CAREFULLY.

- Keep children and animals away from the work area, small parts could choke if swallowed.
- Assemble the item as close to its final position (in the same room) as possible.
- Assemble on a soft level surface to avoid damaging the unit or your floor.
- We do not recommend the use of power drill/drivers for inserting screws as this could damage the unit. Only use hand screwdrivers.
- Parts of the assembly will be easier with 2 people.
- Dispose of all packaging carefully and responsibly.



Care and maintenance

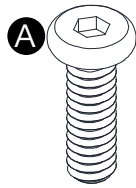
- Only clean using a damp cloth and mild detergent. Do not use abrasive cleaners.
- Use a dry cloth to clean the product, furniture polish is not recommended.
- From time to time check that there are no loose screws, nuts or bolts. If there are please re-tighten.
- This product should not be discarded with household waste. Take to your local authority waste disposal centre.

Additional Guidance

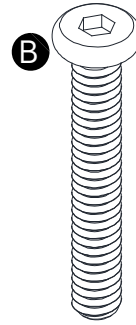
- Assemble all parts and bolts loosely during assembly, only once the product is complete should you fully tighten the bolts.
- Regularly check and ensure that all bolts and fittings are tightend properly.
- Maximum user weight 140kg(refer to BS EN1725)
- This product is compliant BS EN1725:1998

Fittings (Shown to scale)

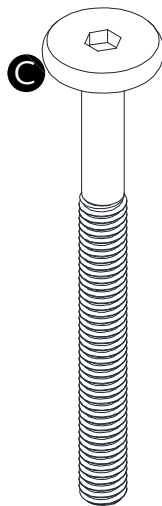
Bag 1



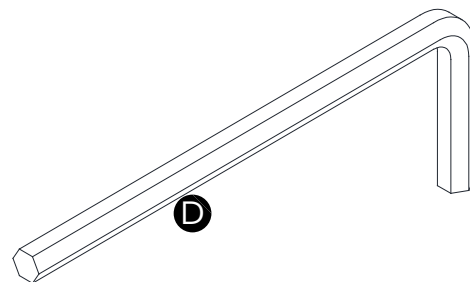
20 mm Bolt M6 x 16



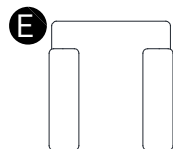
40 mm Bolt M6 x 12



65 mm Bolt M6 x 20

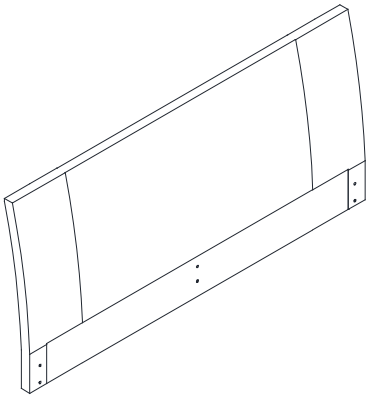


Allen Key x1

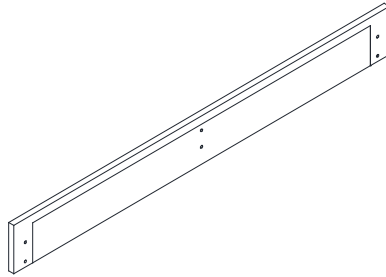


Plastic Plug x36

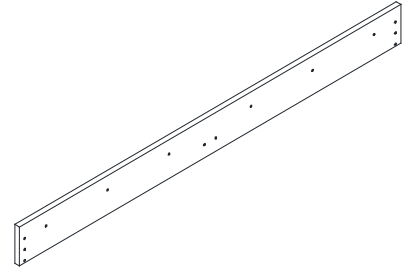
Panels



1 Head Board
(1580X 700 mm)



2 Foot Board
(1580X 160mm)

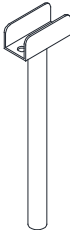


3 Side Panel x2
(2010 X160 mm)

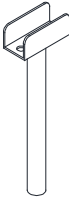
Hardware



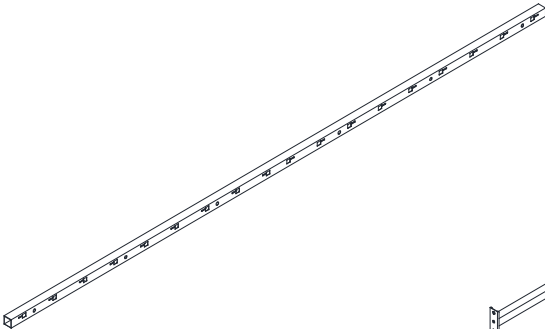
4 Leg x4
(328 mm)



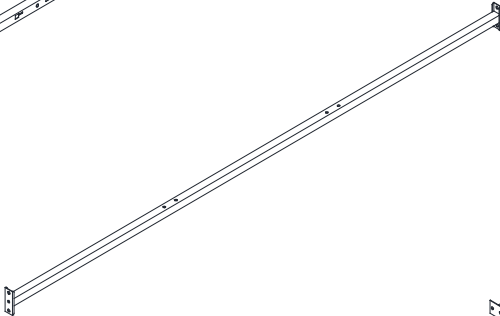
5 Support Leg 01 x 2
(280mm)



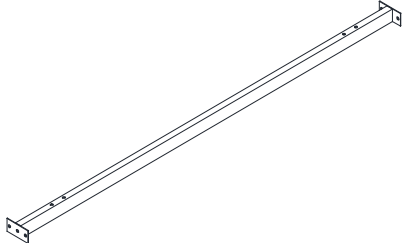
6 Support Leg 02 x 2
(252mm)



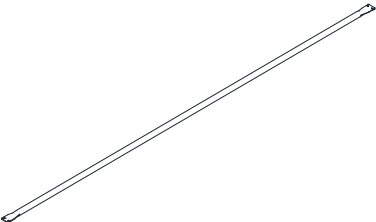
7 Side Rail x2
(1892mm)



8 Centre Rail
(2012mm)

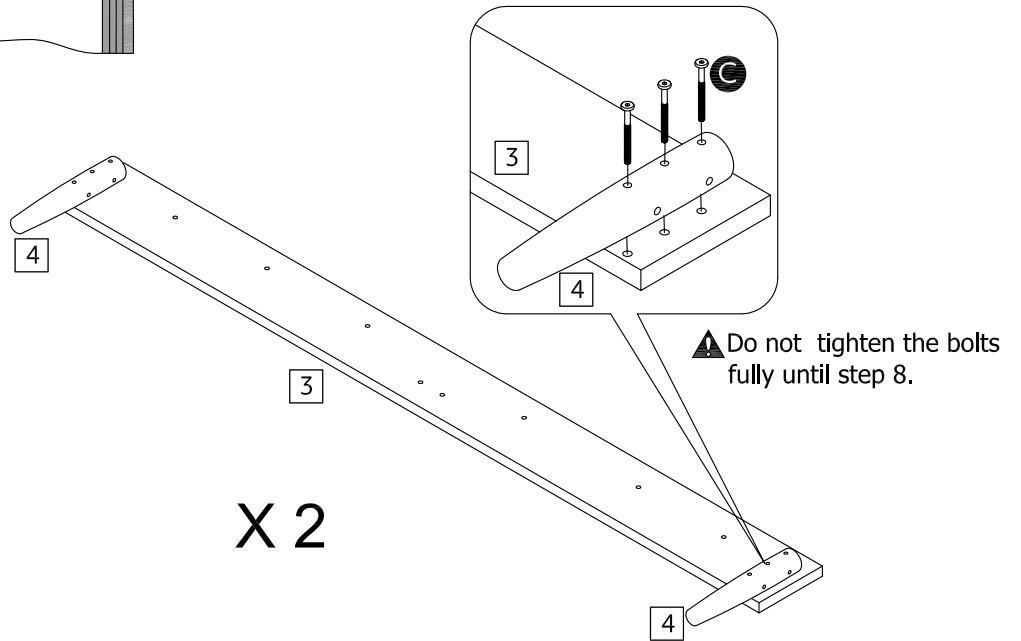
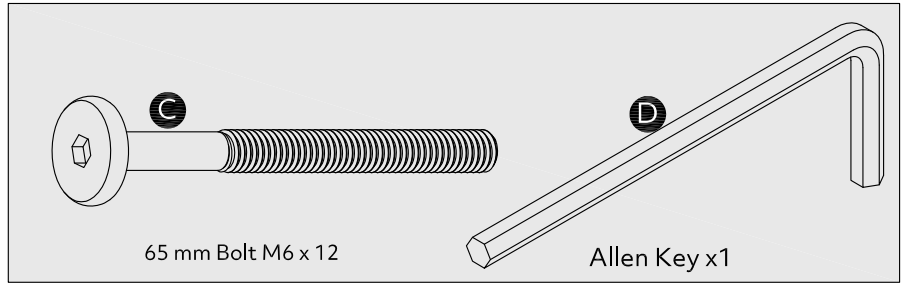
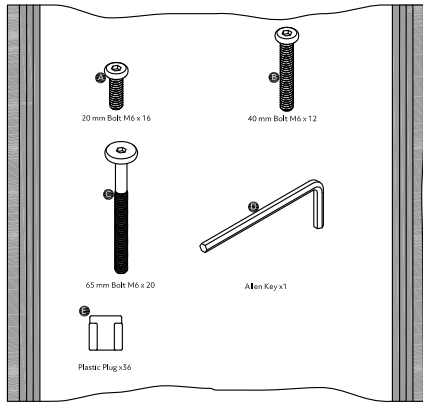


9 Cross Brace
(1536mm)

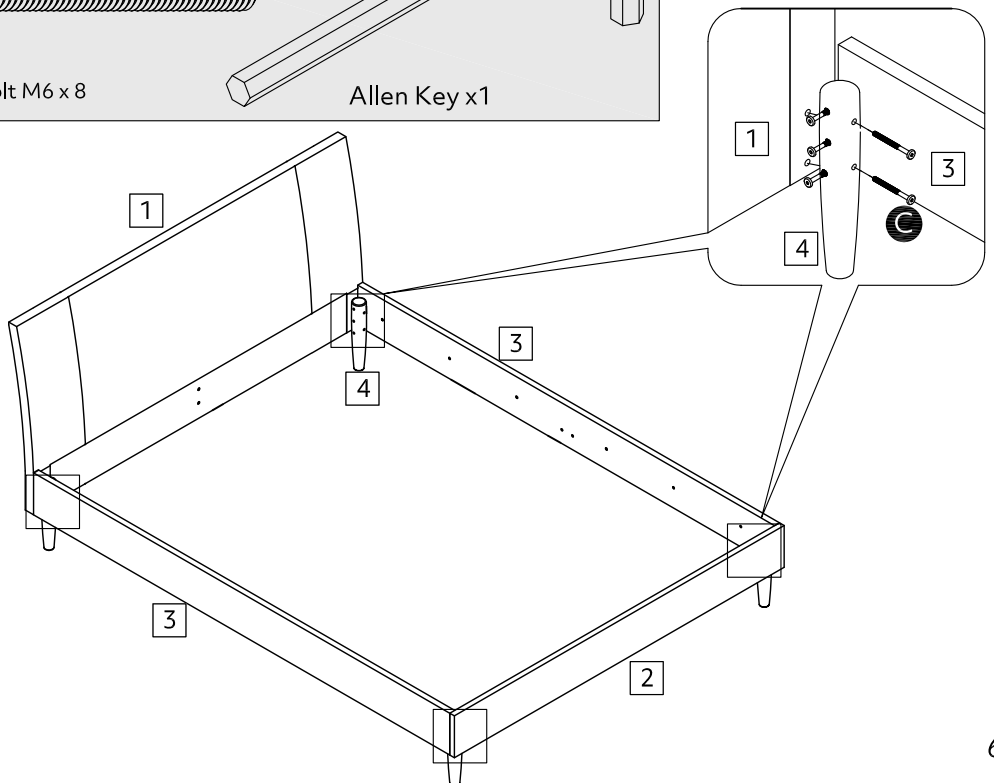
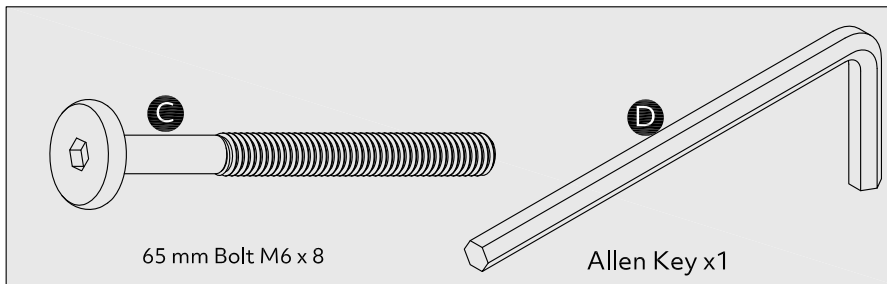


10 Slats x18
(1503mm)

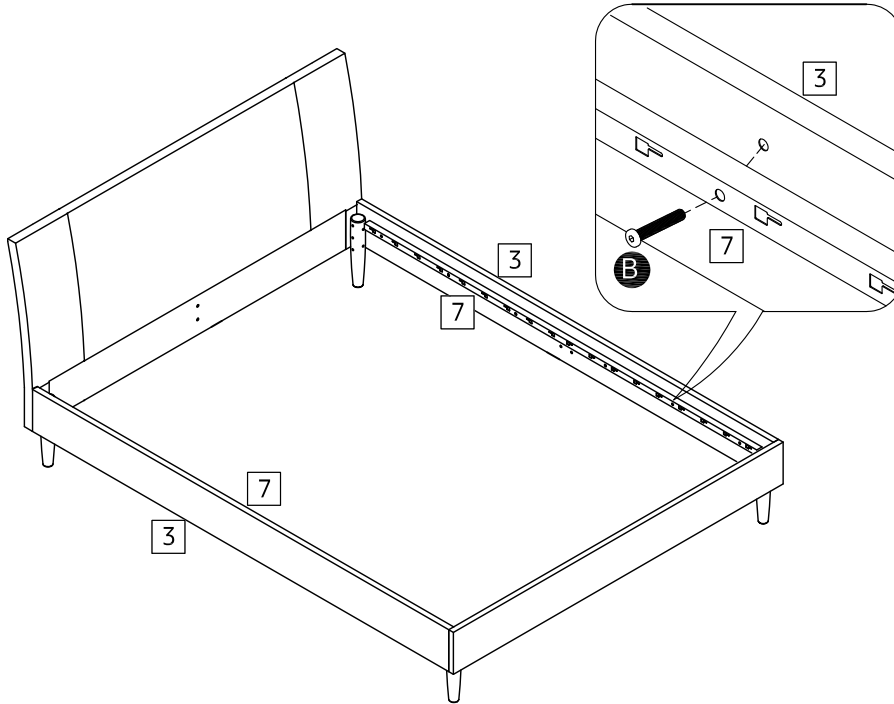
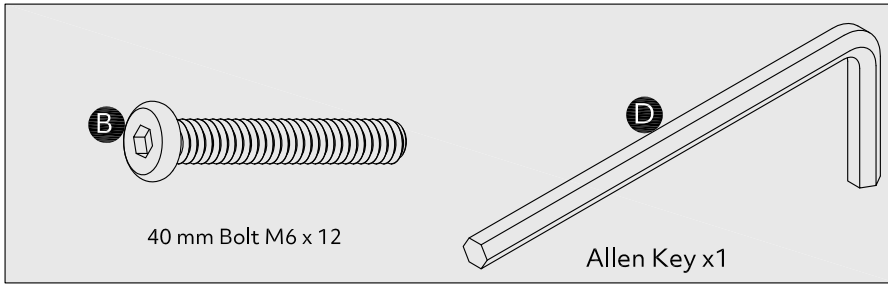
1



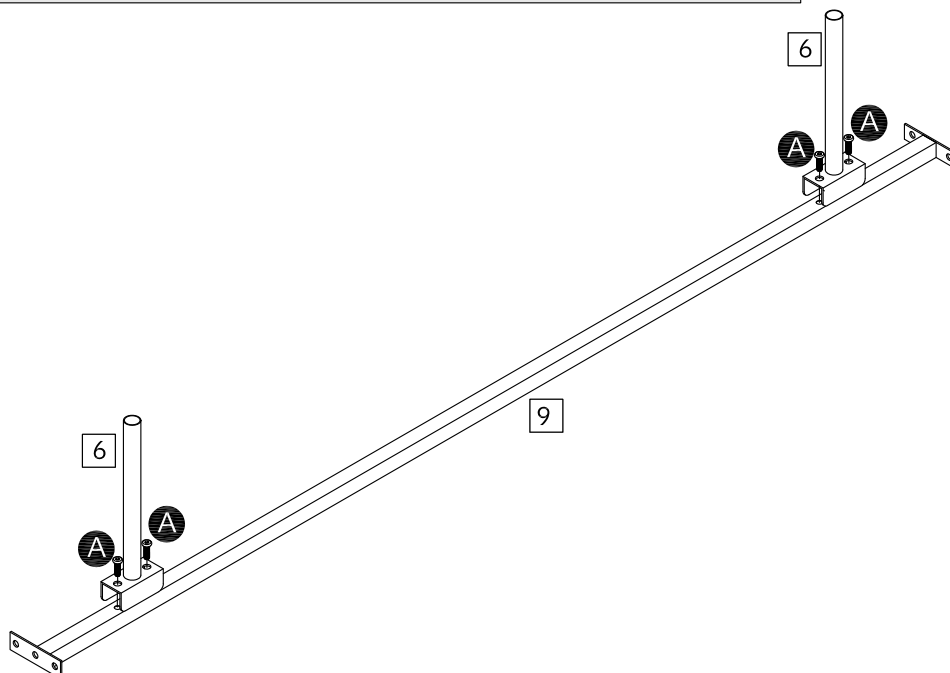
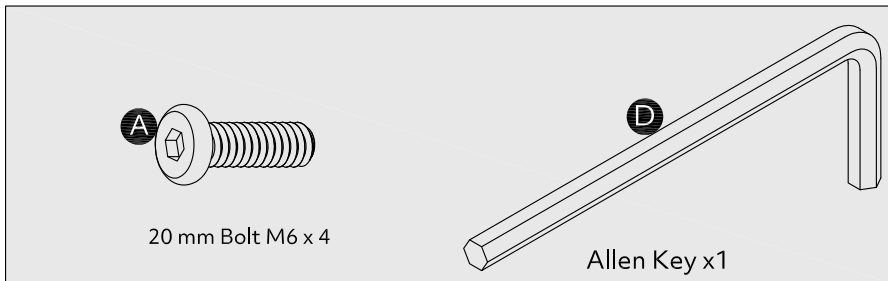
2



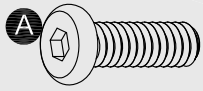
3



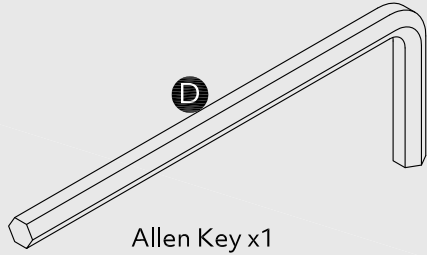
4



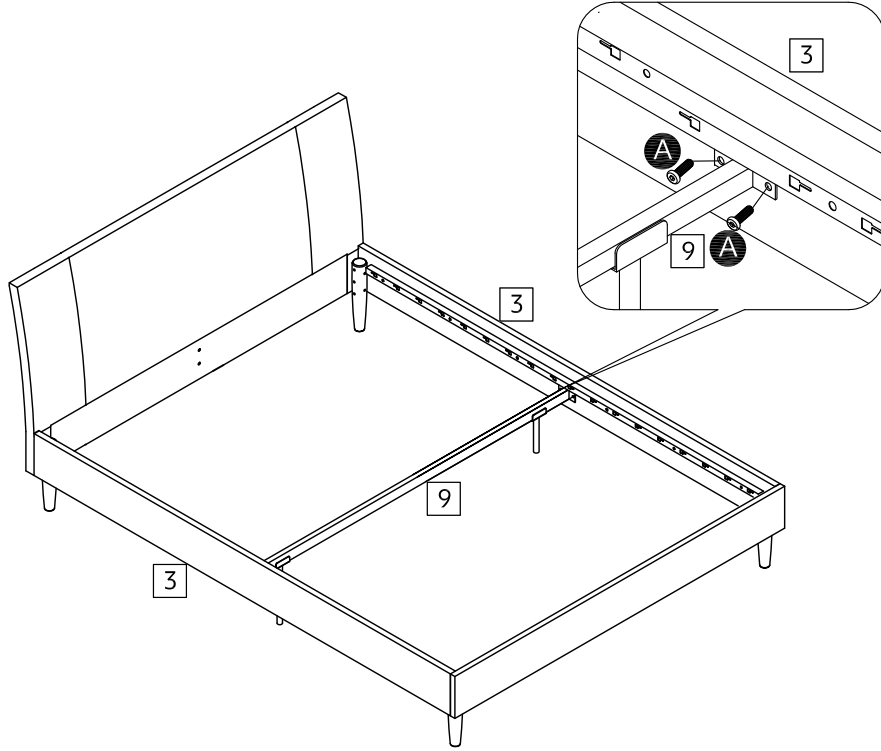
5



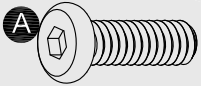
20 mm Bolt M6 x 4



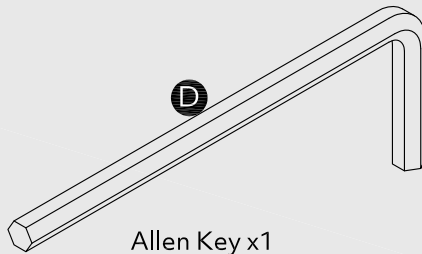
Allen Key x1



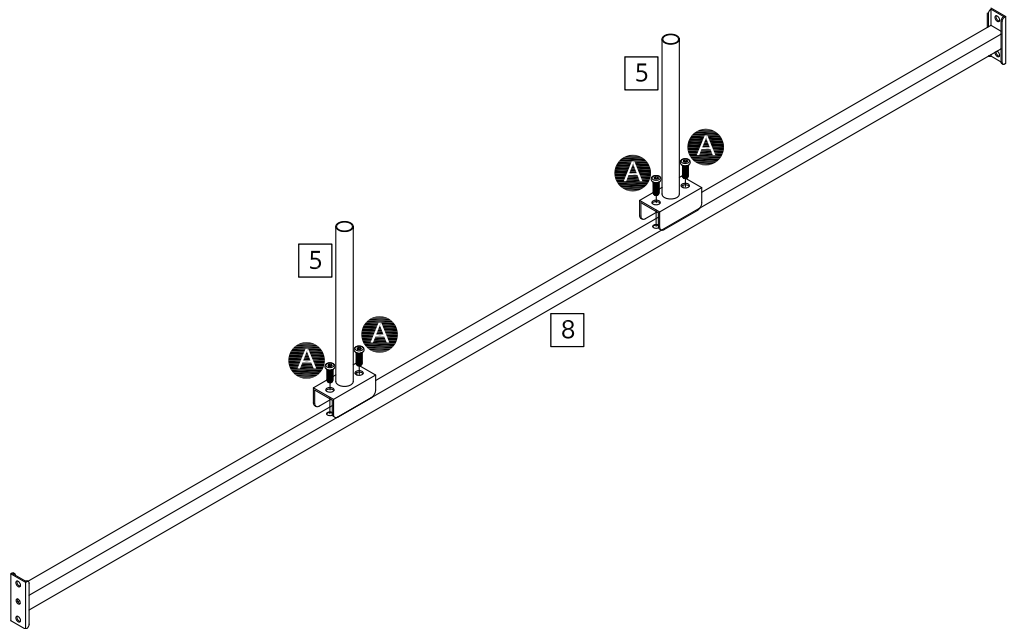
6



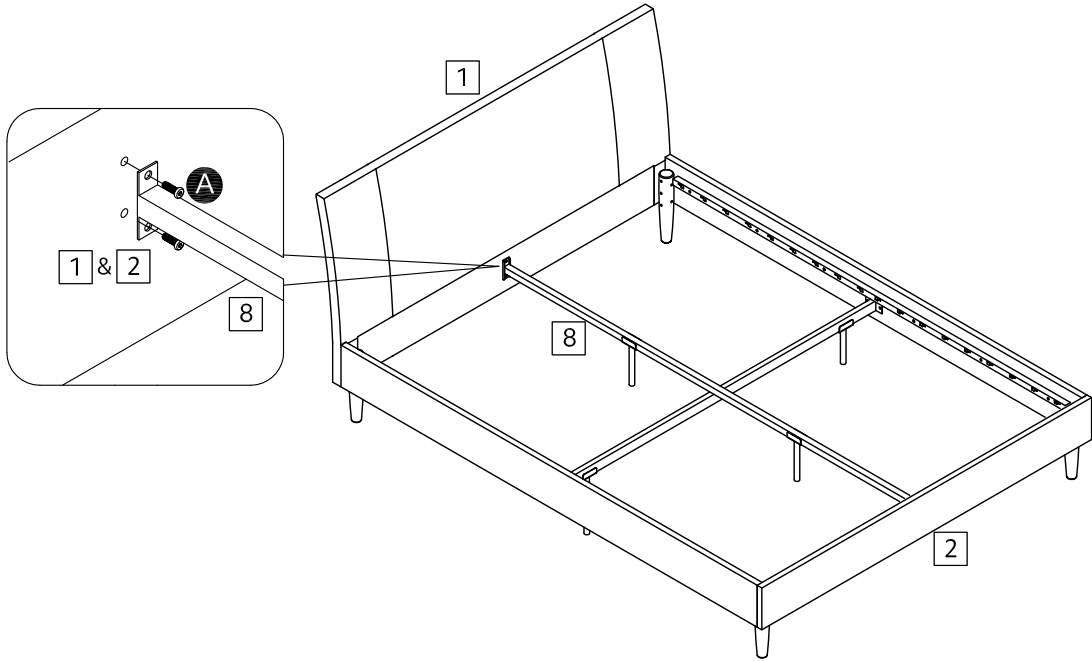
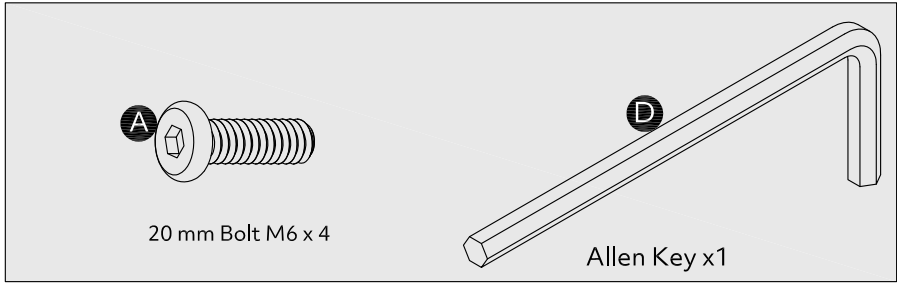
20 mm Bolt M6 x 4



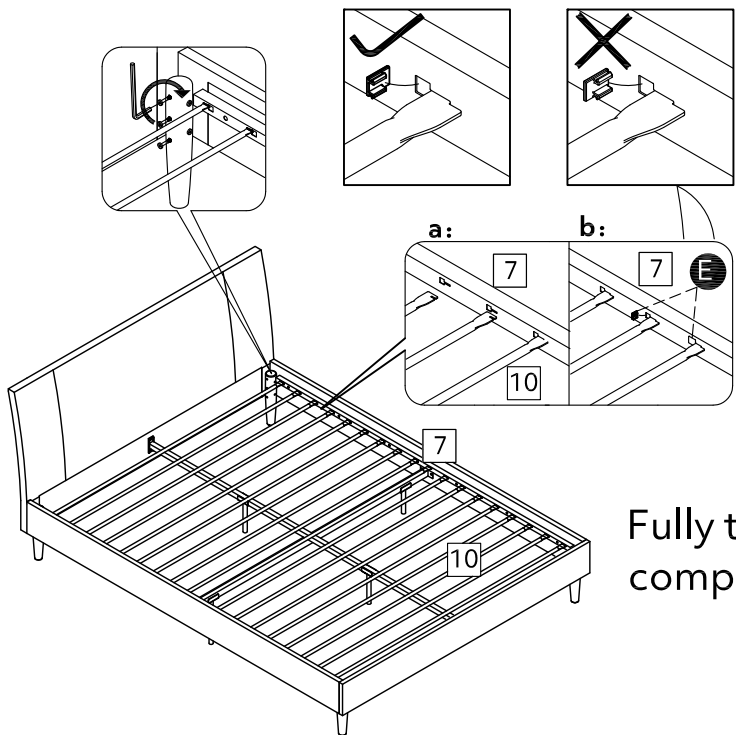
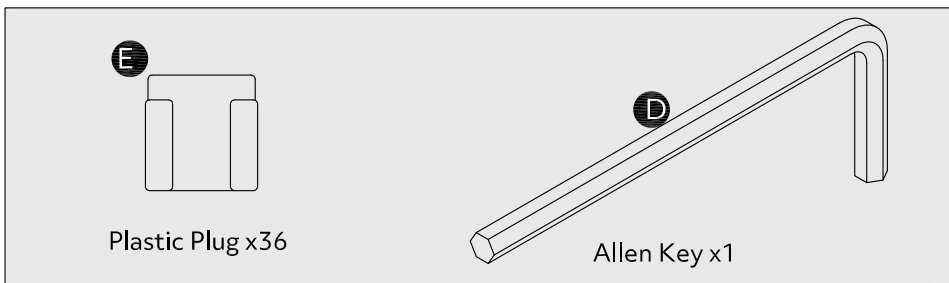
Allen Key x1



7



8



Fully tight all the bolts to complete the assembly!