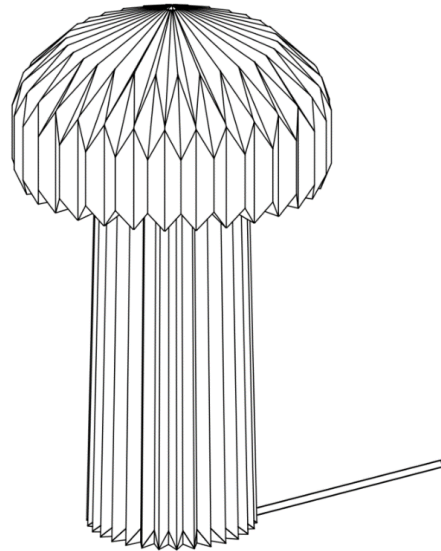


PAPER ORIGAMI MUSHROOM FLOOR LAMP

3411294



Care & Instruction Manual

For household and indoor use only.

Please read and retain these instructions for future reference

Safety Warning

- Read these instructions carefully and familiarize yourself with the procedure before assembling the unit.
- Take all the components and fittings out of the plastic bag and separate them into their groups.
- Ensure you have enough space to lay out all the parts before assembly.
- Always be sure to use the correct type and wattage of bulbs as indicated on the fitting. Do not exceed the maximum stated wattage.
- To avoid scratching it is recommended that you assemble the unit on a soft level surface.
- When changing the bulb, always switch off at the mains and allow the old bulb to cool down before handling. Dispose of used bulbs carefully.
- This luminaire is Class II insulated.
- The luminaire is designed for **INDOOR USE ONLY**.
- The external flexible cable or cord of this luminaire cannot be replaced; if the cord is damaged, the luminaire shall be destroyed.

WARNING – This product is not intended for use by children. Children should be supervised to ensure that they do not play with the product.

Assembling

1. Remove all protective materials from the package and place the lamp shade on a smooth surface.
2. Put the lamp holder **A** through bracket **B** then screw on shade ring **C**, put the LED SES/E14 bulb **D** (5W max) on the lamp holder (bulb not included).

3. Insert the bracket ring into the transparent plastic buckle.
4. Align and close the hook and loop fastener.
5. Clamp the wire into the wire slot to exit as illustration.
6. Once the installation is complete, insert the plug into the socket.

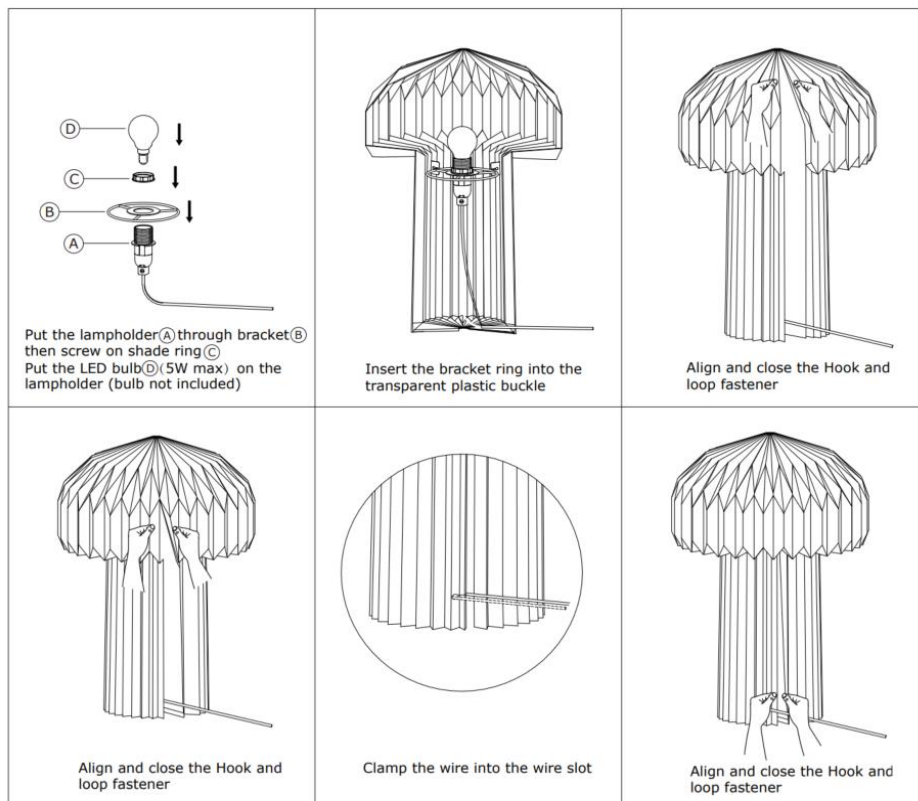
Bulb Replacement

1. Switch off the mains power supply.
2. Before replacing the bulb, allow it to cool down for at least 10 minutes.
3. Never touch the bulb with your fingers directly, cover it with a cloth.
4. Loosen the bulb and remove it from the lamp.
5. Replace a new bulb with same voltage and wattage (Max. 5W LED SES/E14 bulb)

Maintenance

CAUTION! Always disconnect power supply when servicing or cleaning.

- This luminaire is designed for indoor use only.
- Use a clean dry soft cloth.
- Do not use abrasive cloths or polishes as this may cause damage to the product.



Recycling electrical products

You should now recycle your waste electrical goods and in doing so help the environment. This symbol means an electrical product should not be disposed of with normal household waste. Please ensure it is taken to a suitable facility for disposal.

Visit www.recycle-more.co.uk, click on "bank locator" and enter your postcode to find your nearest recycling site.



We care about our quality and what you think,
 If you have any comments, good and bad,
 Please call our Careline Habitat: 0345 640 2020
 or visit Habitat.co.uk
 Your statutory rights are not affected.

Made in China for Habitat, Argos Limited, London,
 EC1N 2HT, UK. [Argos \(N.I.\) Ltd](http://Argos(N.I.)Ltd), Forestside Shopping
 Centre, Upper Galwally, Belfast, BT8 6FX, UK.