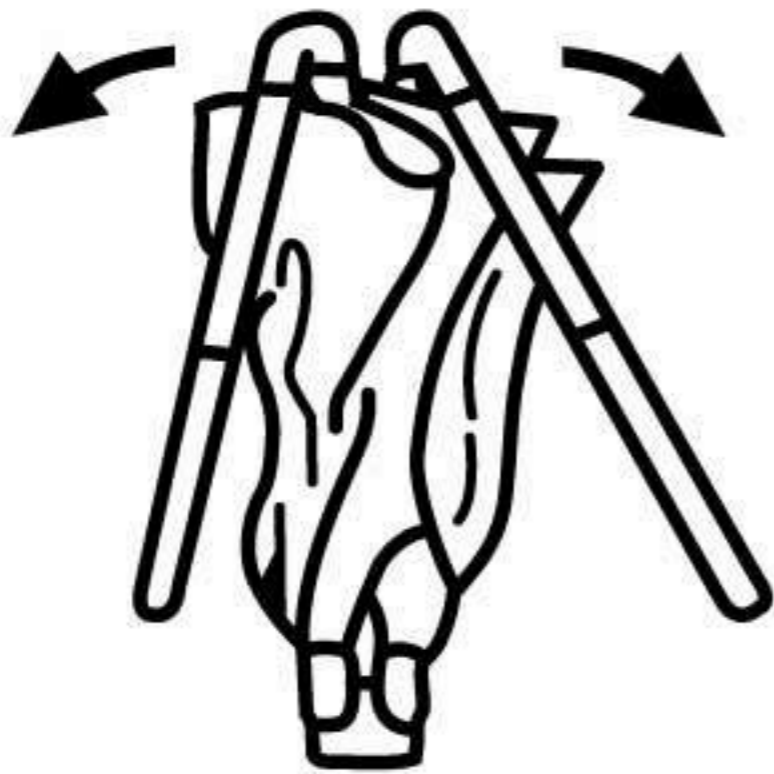


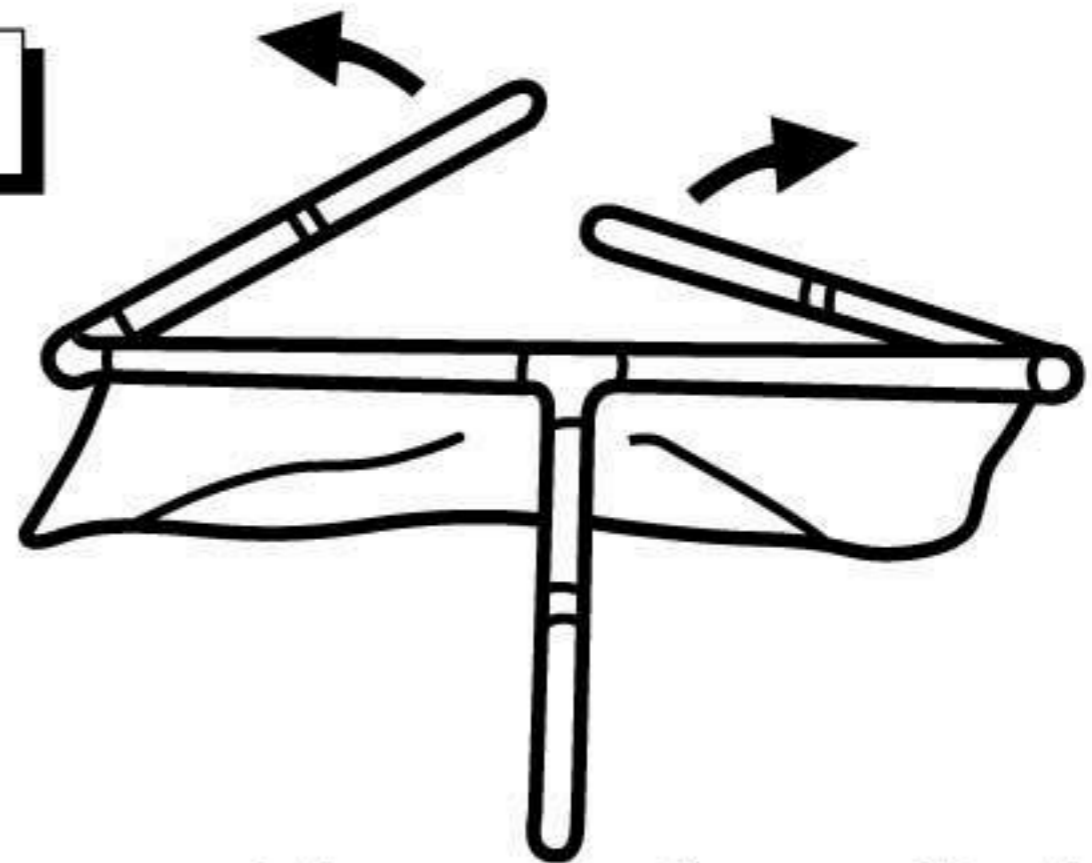
STEEL FRAMED CAMPING BED INSTRUCTION

1



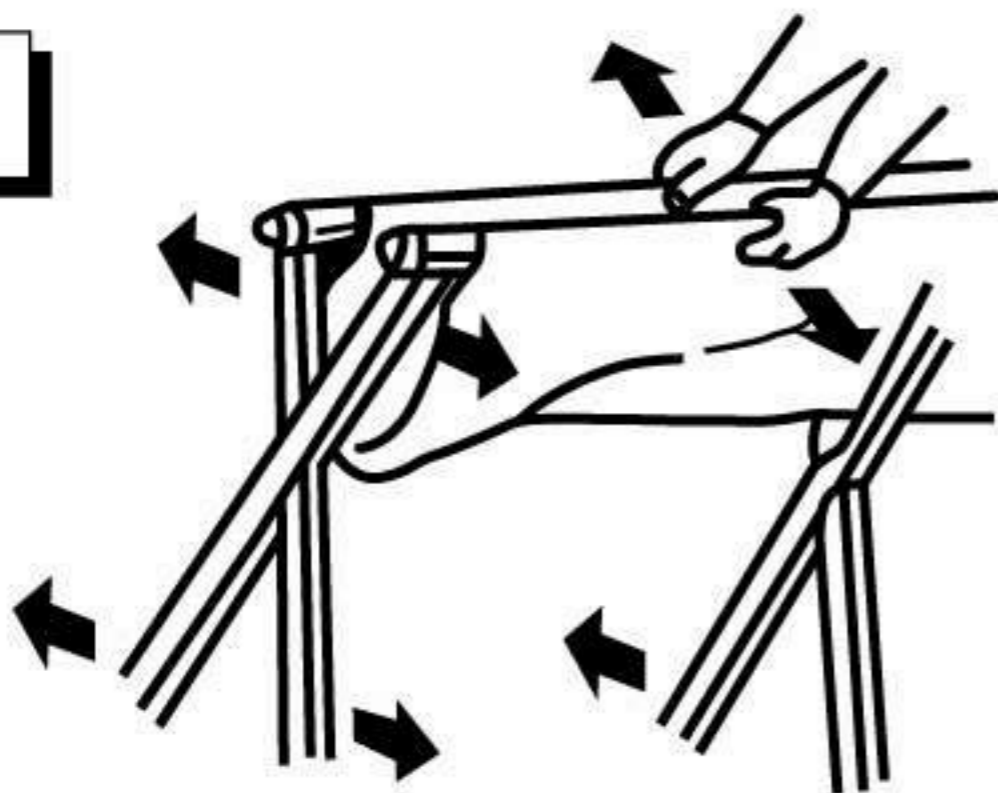
Please open the horizontal post of both sides in the direction of an arrow after taking out the folding bed from the bag.

2



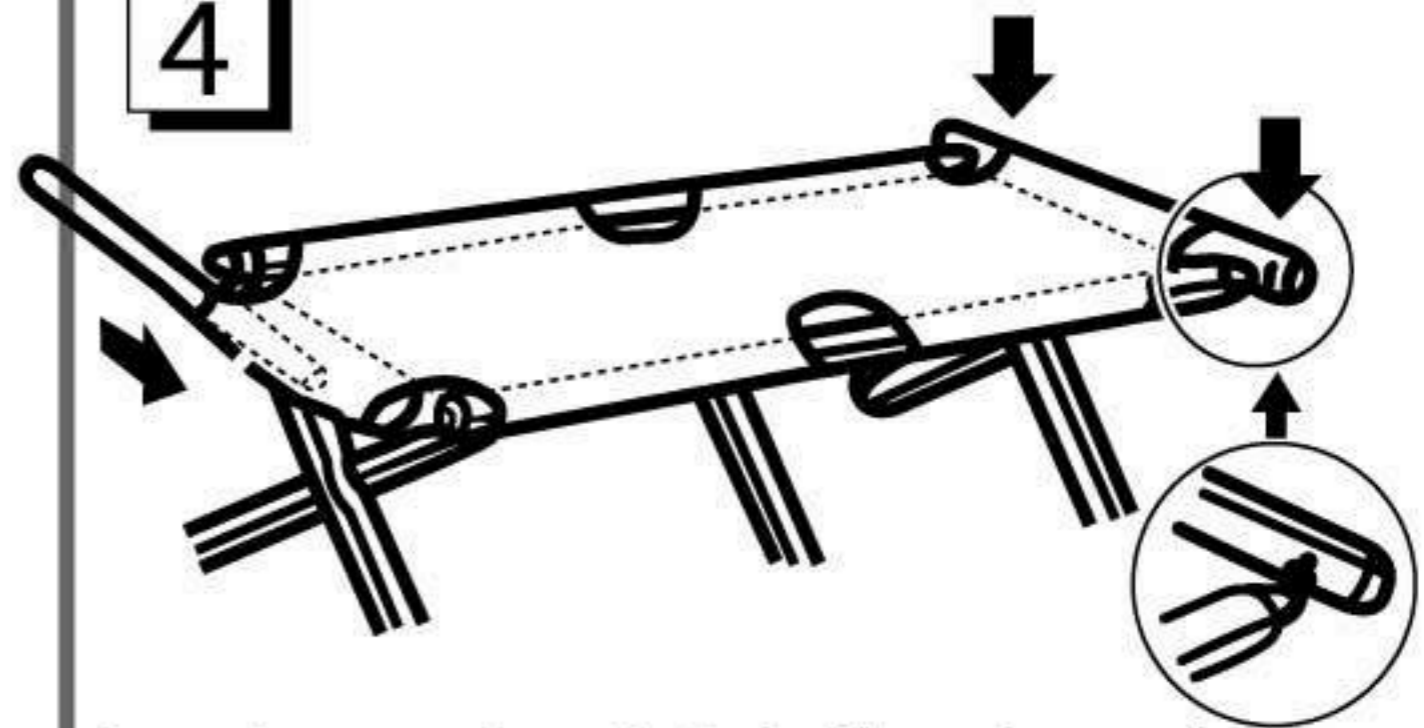
Fully extend the support frame of both sides to the direction of the arrows as shown in figure 2.

3



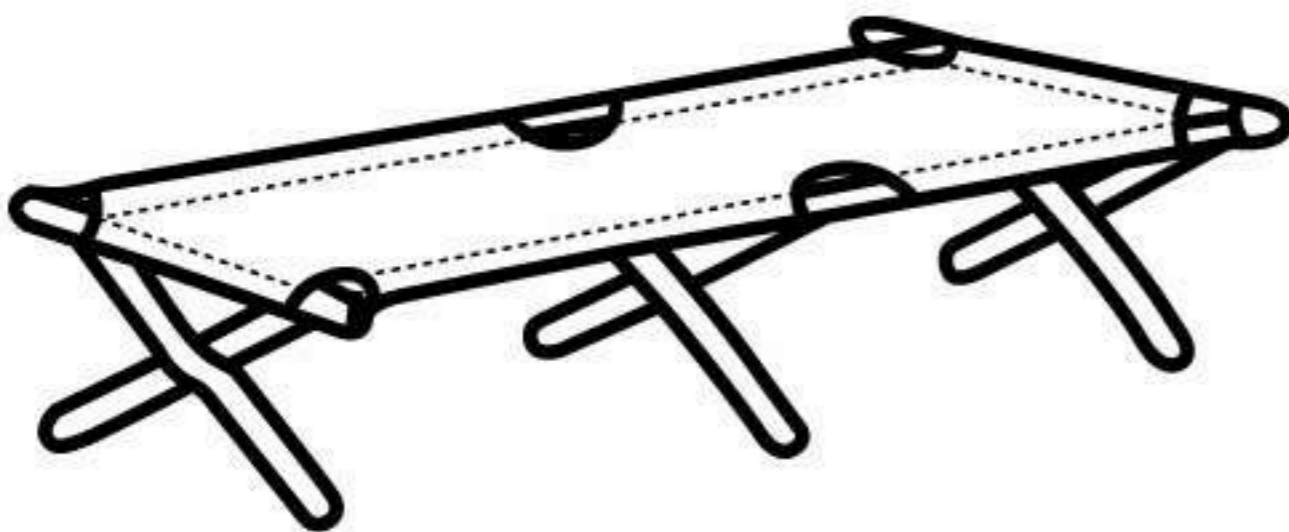
Flatten the surface of the bed by pulling the posts to the direction of the arrows as shown in the figure. Then fix the legs of the bed to the ground.

4



Insert support posts to both ends, passing through of the cloth of the frame respectively. Connect both ends of the support posts with the main frame to stabilize and strengthen the bed.

5



The assembly of the folding bed is then completed.

6

! WARNING !

- FOR OUTDOOR USE ONLY.
- FOR SINGLE USE.
- SHOULD NOT BE ASSEMBLED BY CHILDREN. ASSEMBLE AND BREAKDOWN BY ADULTS ONLY.
- PLEASE BE CAREFUL NOT TO PINCH YOUR HANDS OR FINGERS DURING ASSEMBLY.