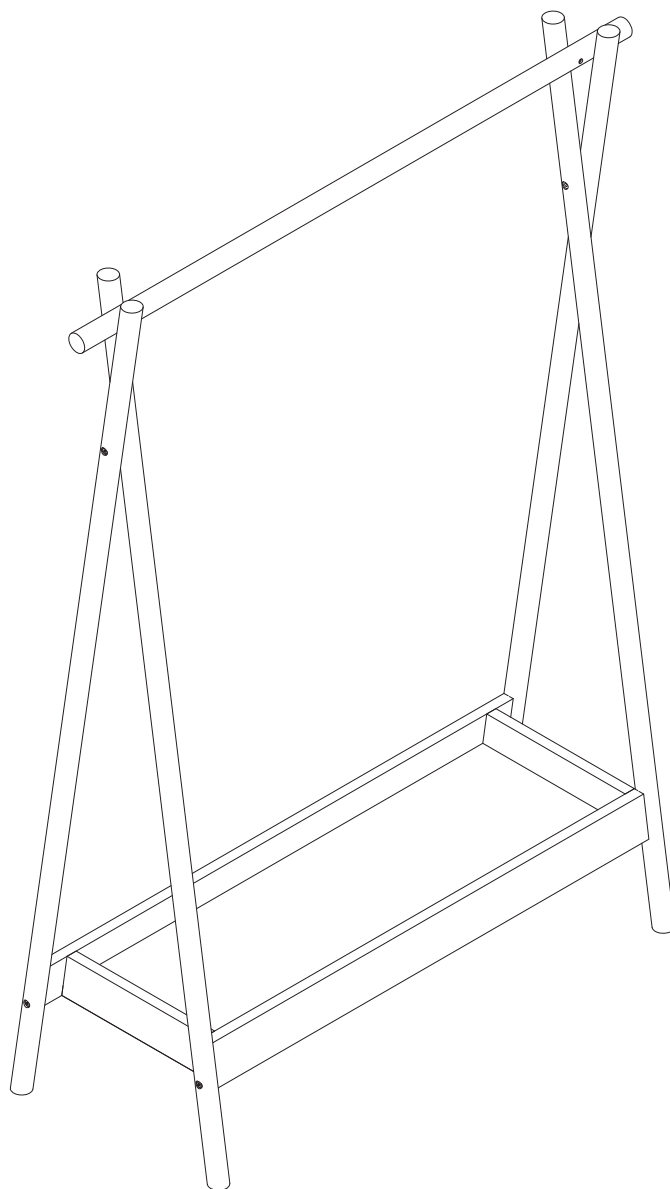


# Akari

 habitat

# Wooden Rail



## Spare Parts

 [www.argos-support.co.uk](http://www.argos-support.co.uk)

 [Help@ClickSpares.co.uk](mailto:Help@ClickSpares.co.uk)

 0370 112 1928

## Customer Support

 0345 640 2020



# Safety and Care Advice

---

## Product Details

Akari Wooden Rail Ash / 3375756

## IMPORTANT, RETAIN FOR FUTURE REFERENCE: READ CAREFULLY.

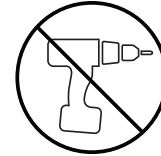
- Keep children and animals away from the work area, small parts could choke if swallowed.

- Make sure you have enough space to layout the parts before starting.

- This product has been constructed to be used in the domestic environment only and not for commercial purposes.

- Assemble the item as close to its final position (in the same room) as possible.

- Assemble on a soft level surface to avoid damaging the unit or your floor.



- We do not recommend the use of power drill/drivers for inserting screws as this could damage the unit. Only use hand screwdrivers.

- Parts of the assembly will be easier with 2 people.

- Dispose of all packaging carefully and responsibly.

## Care and maintenance

---

- Only clean using a damp cloth and mild detergent. Do not use abrasive cleaners.

- Use a dry cloth to clean the product, furniture polish is not recommended.

- From time to time check that there are no loose screws, nuts or bolts. If there are please re-tighten.

- This product should not be discarded with household waste. Take to your local authority waste disposal centre.

## Additional Guidance

---

- Assemble all parts and bolts loosely during assembly, only once the product is complete should you fully tighten the bolts.

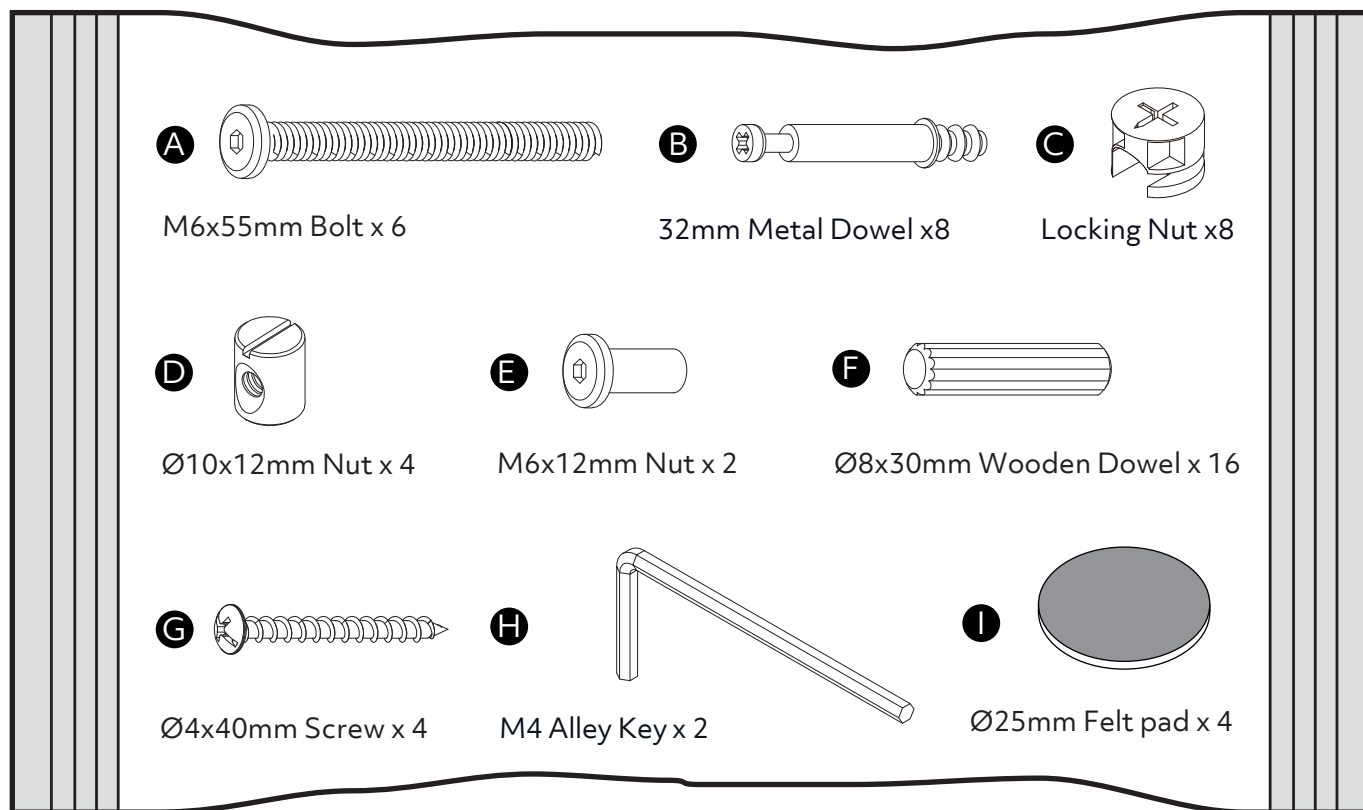
- Regularly check and ensure that all bolts and fittings are tightened properly.

- Maximum loading weight 50kg

- This product is compliant EN14749

# Fittings (Shown to scale)

## Bag 1

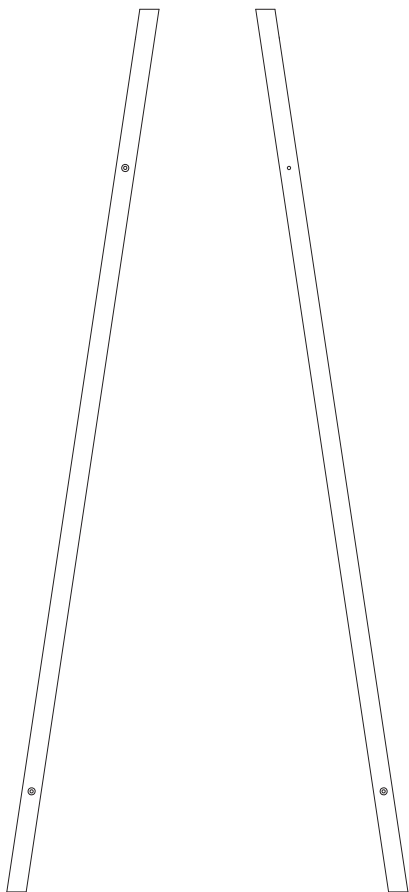


# Parts

---

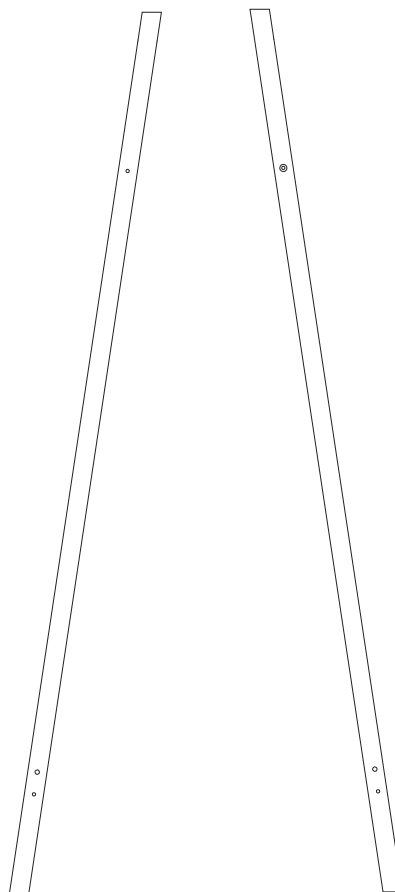


1 Wooden Rail x 1  
(1200 x 35mm)



2 Left Outer Leg x 1  
(1618 x 35mm)

3 Left Inner Leg x 1  
(1618 x 35mm)



4 Right Outer Leg x 1  
(1618 x 35mm)

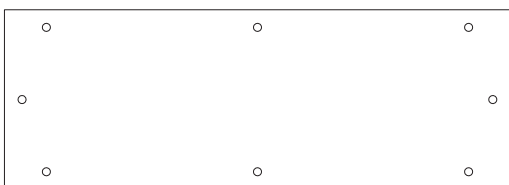
5 Right Inner Leg x 1  
(1618 x 35mm)



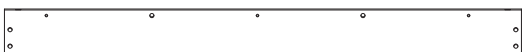
6 Back Panel x 2  
(1010 x 80mm)



7 Side Panel x 2  
(327 x 80mm)

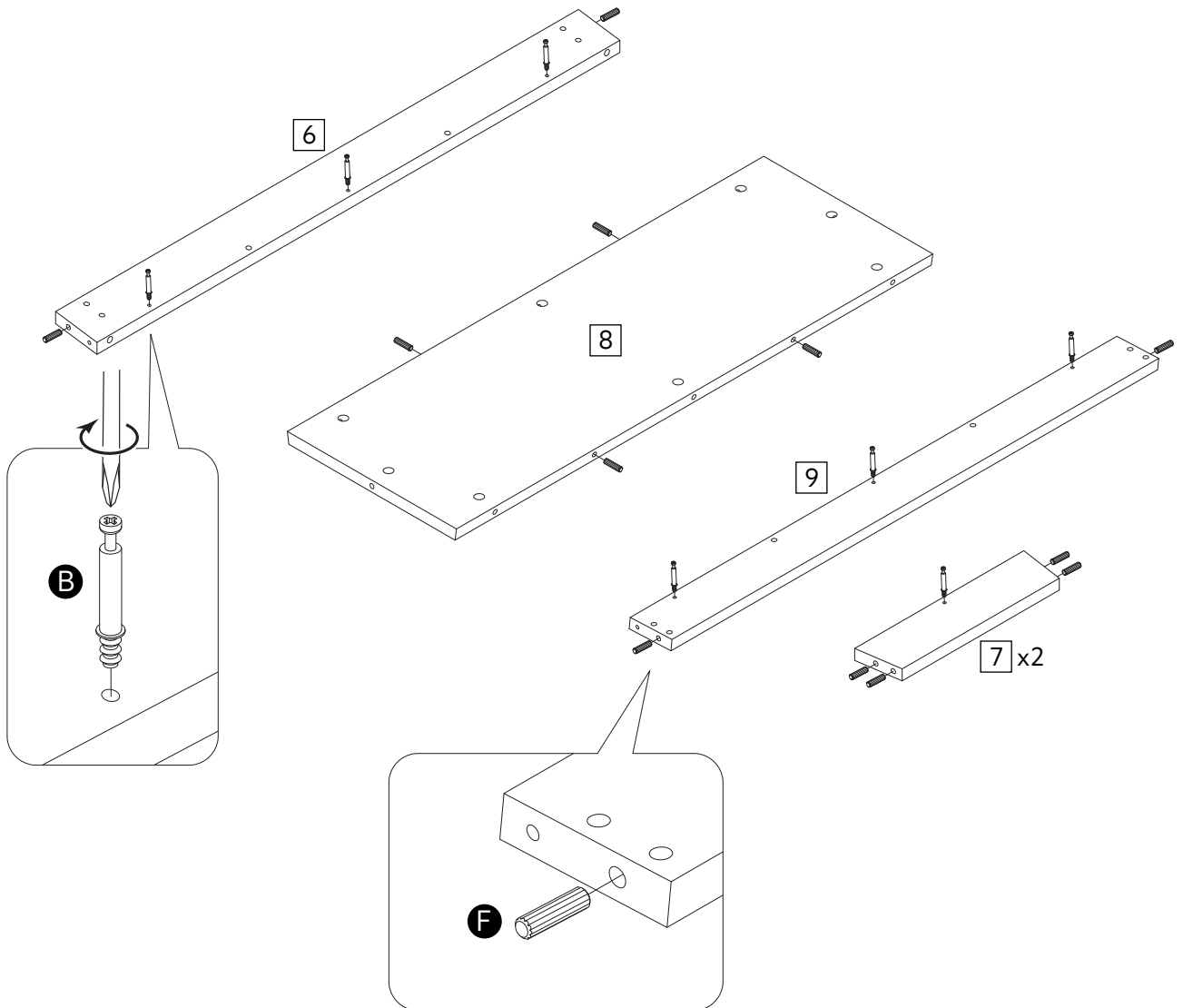
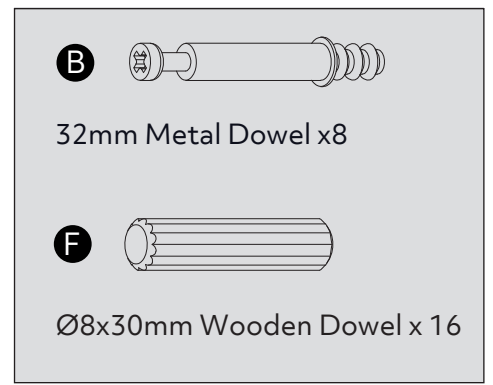
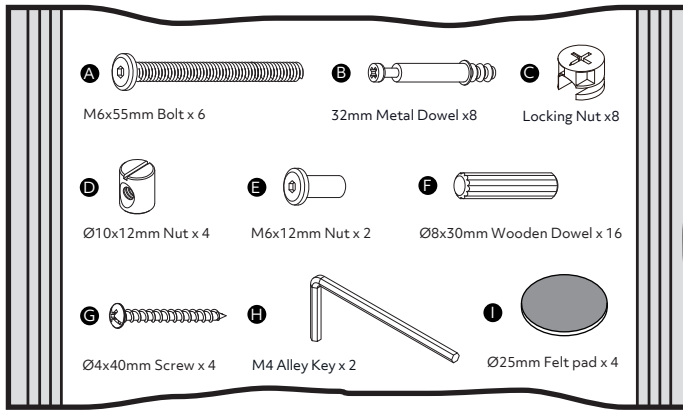


8 Bottom Panel x 1  
(900 x 327mm)

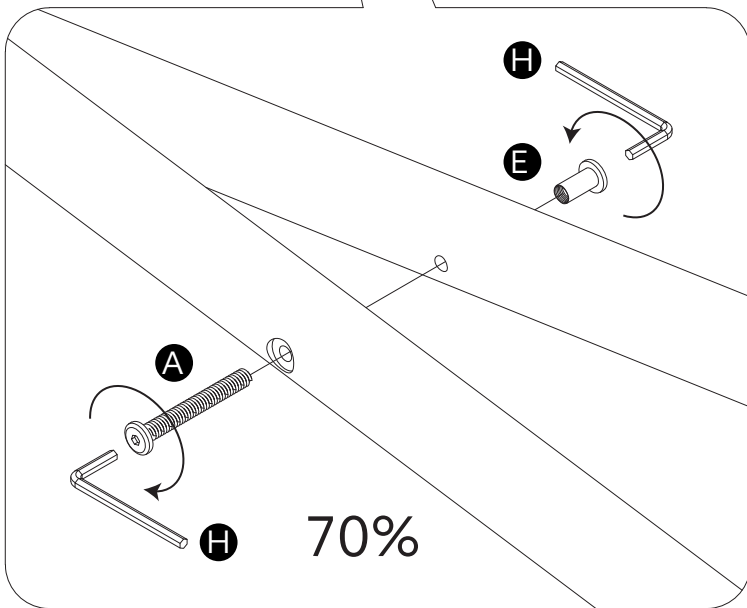
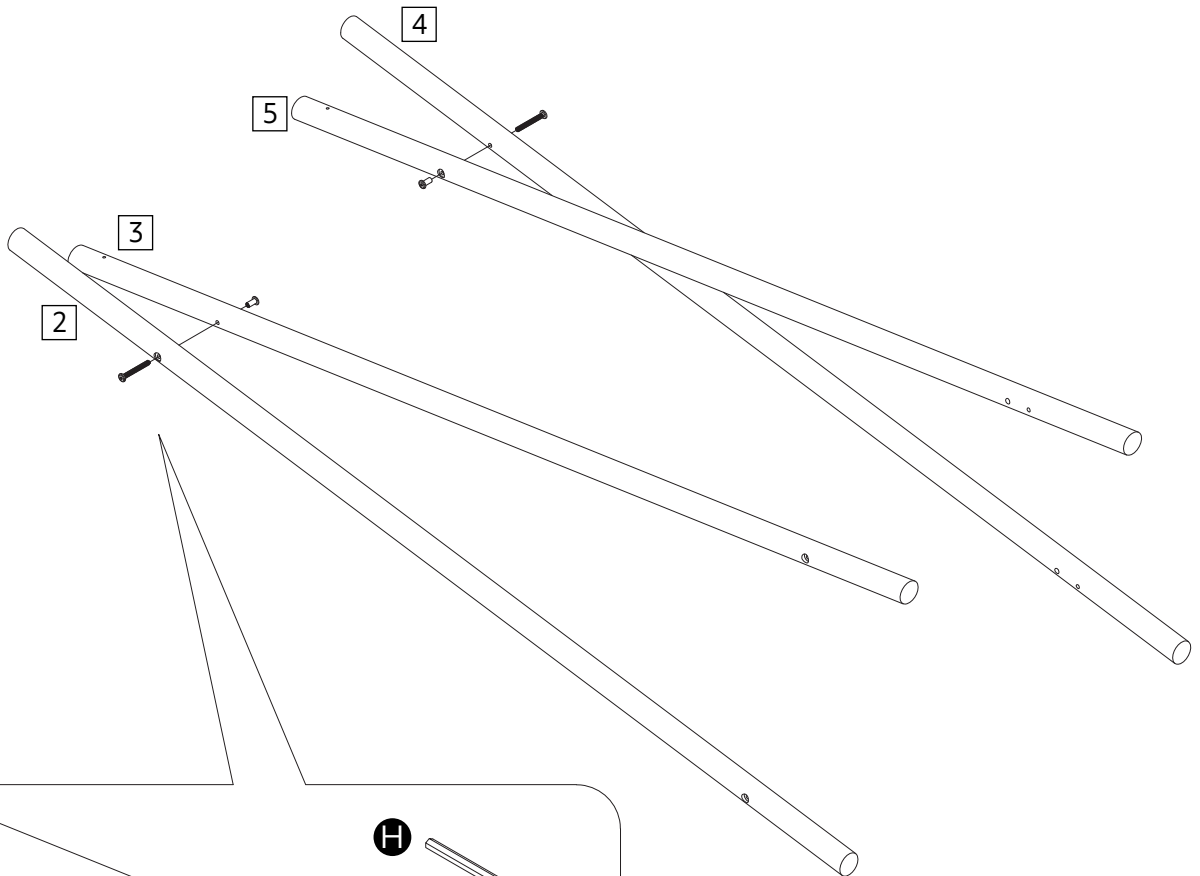
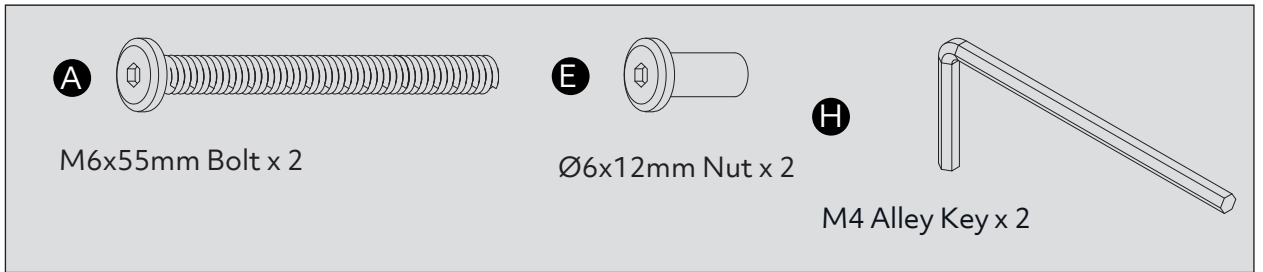


9 Front Panel x 1  
(940 x 80mm)

# 1

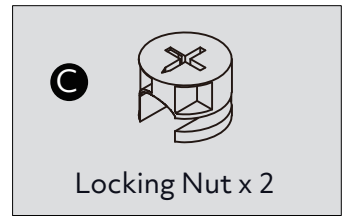
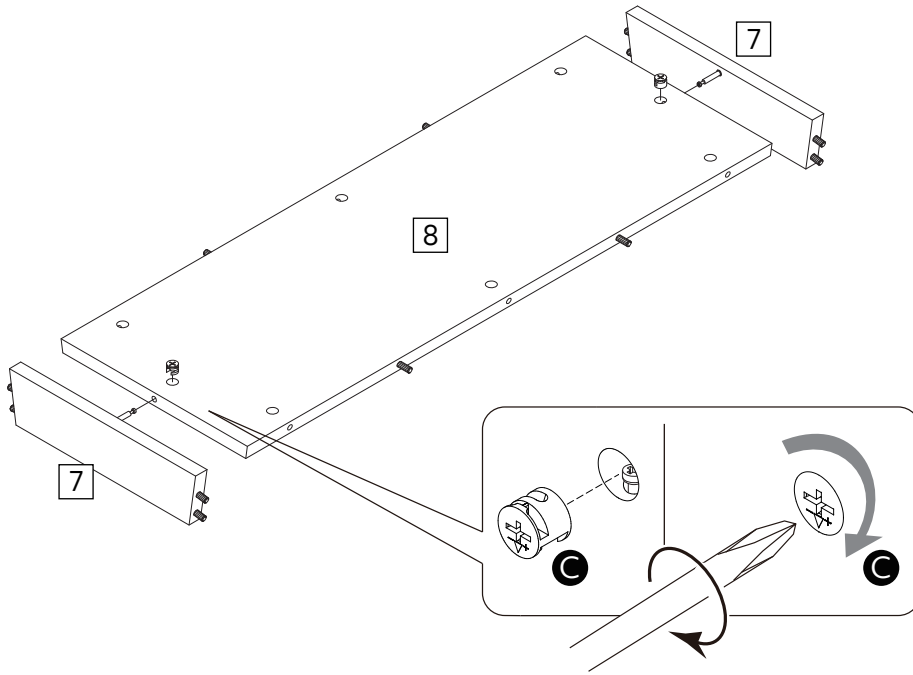


# 2

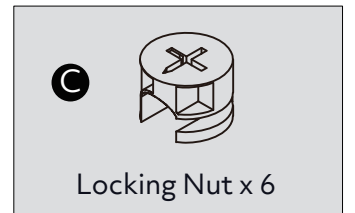
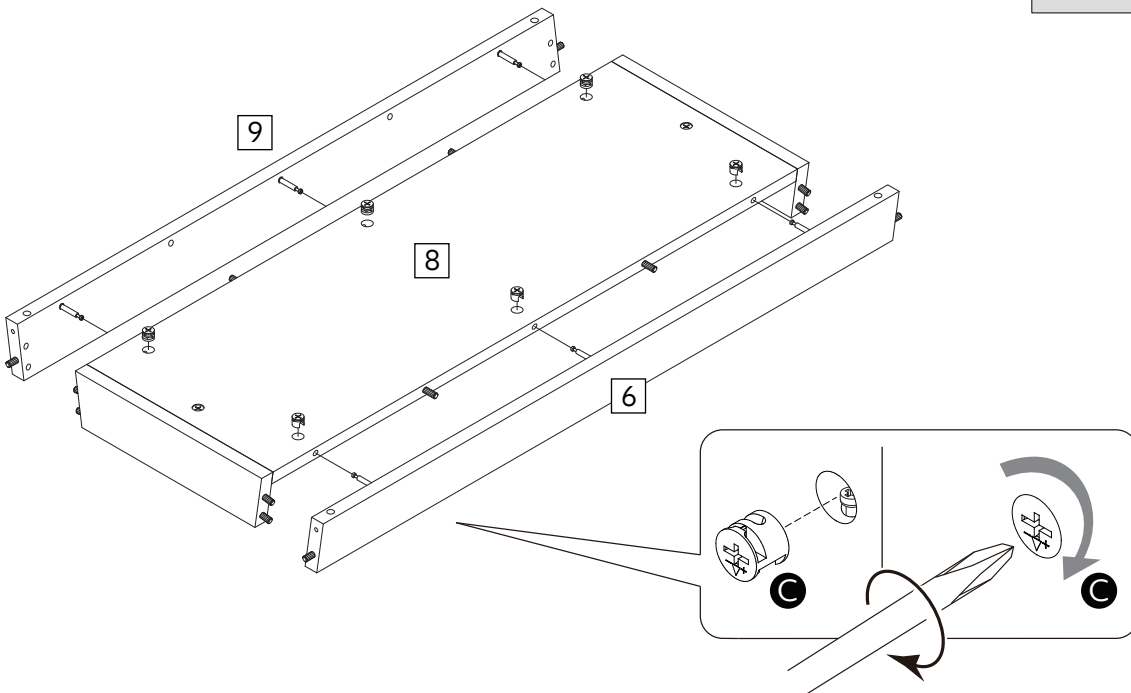


**Warning!**  
Please do not fully tighten  
the bolts in this step.

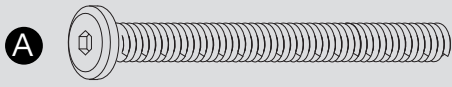
# 3



# 4



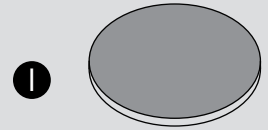
# 5



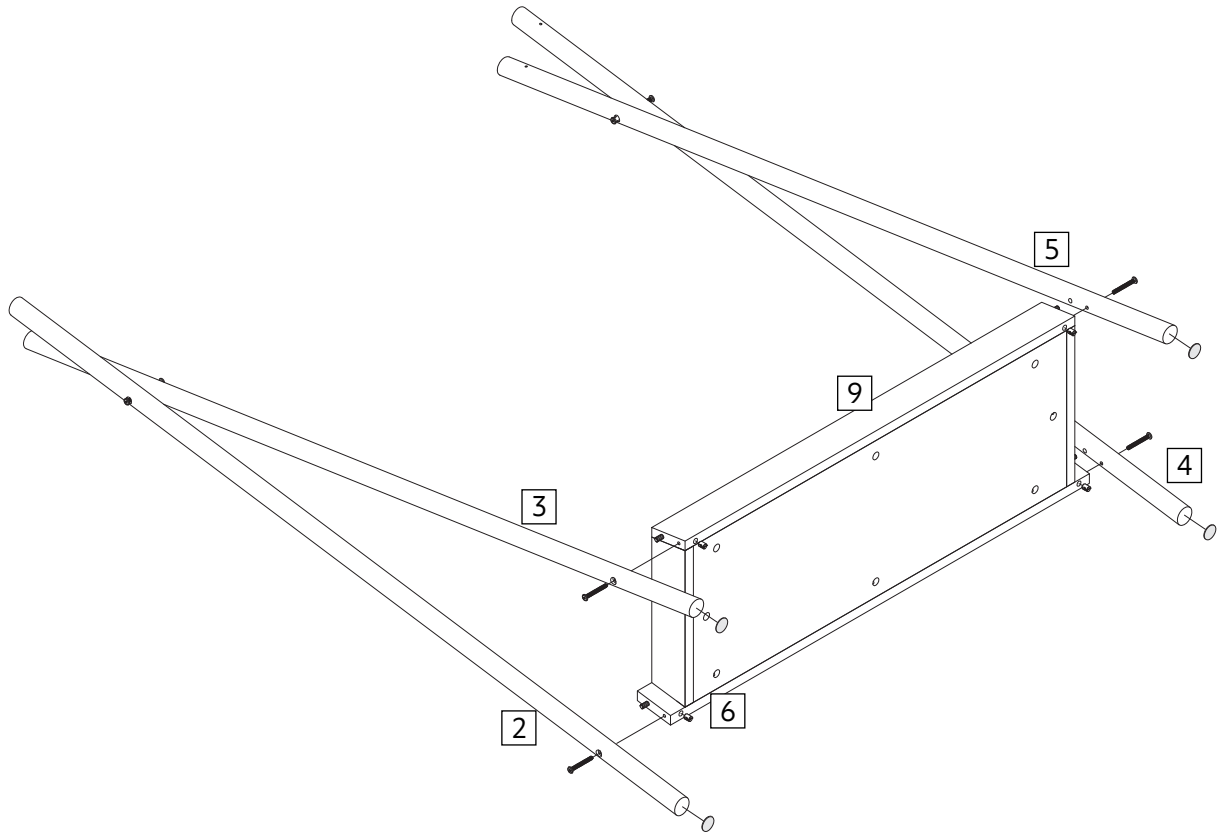
M6x55mm Bolt x 4



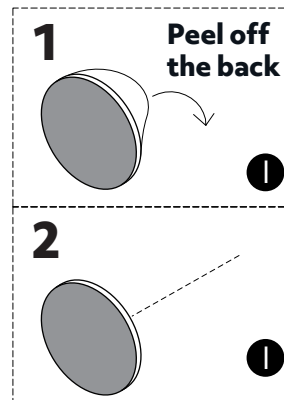
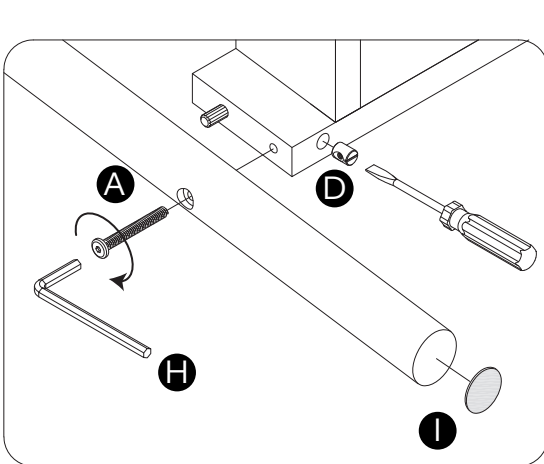
Ø10x12mm Nut x 4



Ø25mm Felt pad x 4

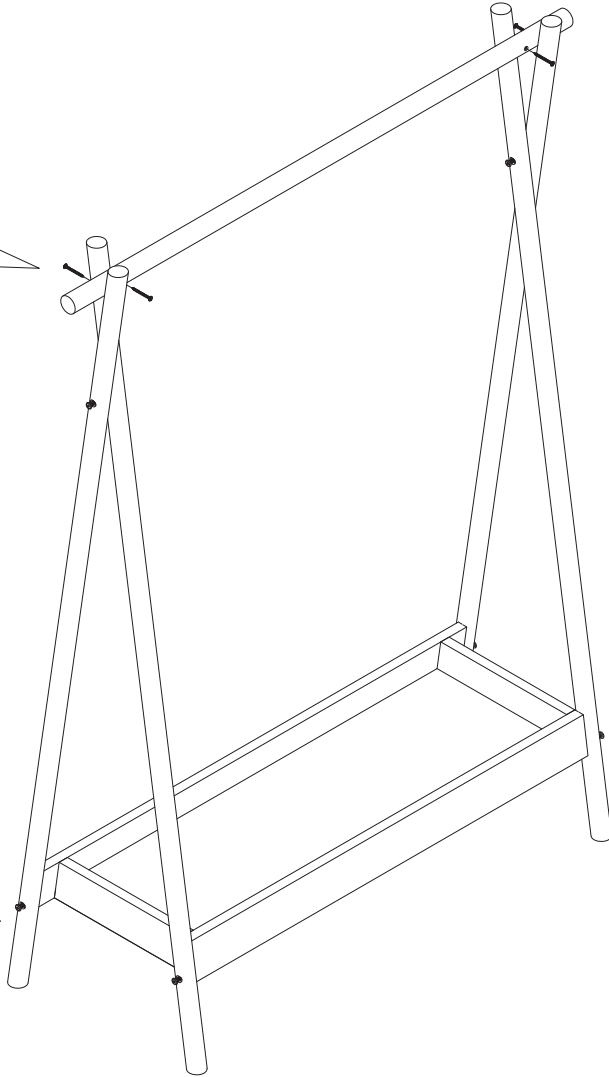
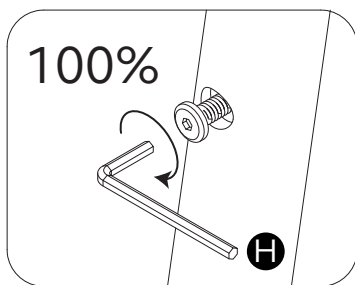
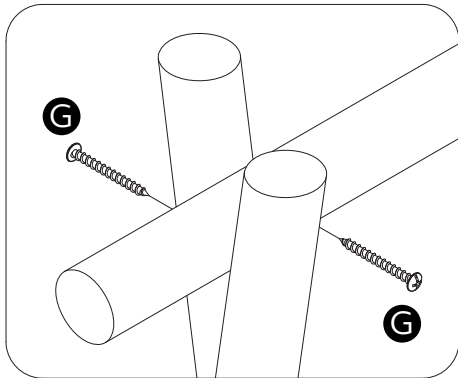
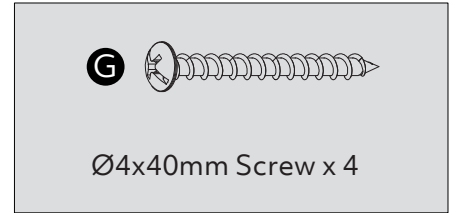


1 x 4



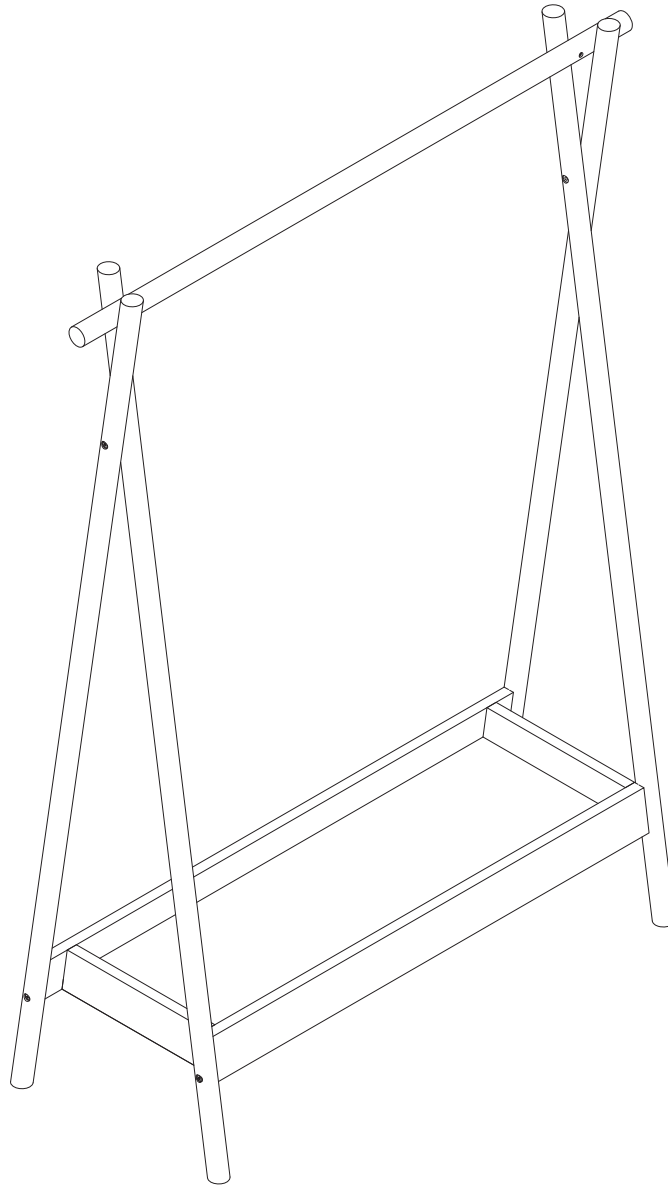


# 6



**Warning!**  
Please do fully tighten all  
the bolts and screws in this step.

# 7



Assembly is complete.