

WWG 660 WCS TDos & 9kg
W1 front-loader washing machine:
with TwinDos, CapDosing and Miele@home for smart laundry care.



- Automatic detergent dispensing at the touch of a button – TwinDos
- Ironing made simple thanks to pre-ironing with steam
- Perfect supplement for specific applications – CapDosing
- Display & convenient operation at your fingertips – ComfortSensor
- Miele@home – clever networking opens up new possibilities*

* Additional digital offer from Miele & Cie. KG. All smart applications are made possible with the Miele@home system. The range of functions can vary depending on the model and the country.

A

EAN: 4002516257820 / Material number: 11359290 / Old Material Number: 11WG6601GB

Construction type	
Suitable for stacking	•
Side-by-side	•
Slot-in	•
Door hinge	right
Model	
Product brand	W1 White Edition
Front-loader	•
Spinning	
Max. spin speed	1400
Rinse hold	•
Without spin function	•
Design	
Appliance colour	Lotus white
Control panel colour	Lotus white
Door design	Obsidian black with chrome ring
Rotary selector colour	Lotus White / Chrome ring
Control panel version	5° incline
Control type	Rotary selector
Display	ComfortSensor white, 1 line
Cleaning performance	
TwinDos automatic detergent dispensing	•
CapDosing portioned dispensing	•
Gentle laundry care	
Honeycomb drum	•
Load in kg	9.0
User convenience	
Networking with Miele@home	•
Delay start up to 24 hours	•
Time left display	•
Programme sequence indicator	•
MultiLingua	•
AutoClean detergent drawer	•
AddLoad	•
Efficiency and sustainability	
Energy efficiency class (A–G)	A
Weighted energy consumption per 100 operating cycles for the wash cycle in kWh	49
Weighted water consumption per cycle in l	48
Spin efficiency class	B
Duration of the "ECO 40–60" programme at nominal capacity	209
Low temperature wash "Cold" and "20 °C"	•
Automatic load control	•
Flow meter	•
Foam sensing	•
ProfiEco motor	•
Wash programmes	
Automatic plus	•
Cottons (coloureds)	•

WWG 660 WCS TDos & 9kg

W1 front-loader washing machine:

with TwinDos, CapDosing and Miele@home for smart laundry care.



EAN: 4002516257820 / Material number: 11359290 / Old Material Number: 11WG6601GB

Minimum iron	•
Delicates	•
Shirts	•
Silk (hand-washable)	•
Woollens (hand-washable)	•
Express 20	•
Dark garments / Denim	•
Outerwear	•
Proofing	•
Sportswear	•
Clean machine	•
Cottons Arrow	•
Separate rinse/Starch	•
Drain / Spin	•
ECO 40-60	•
Extras	
Short	•
Soak	•
Pre-wash	•
Water plus	•
Additional rinse cycle	•
Extra quiet	•
Pre-ironing	•
Buzzer	•
AllergoWash	•
Quality	
Suds container	Stainless Steel
Counterweights made of cast iron	•
Safety	
Water control system	•
Safety lock	•
PIN-Code	•
Optical interface	•
Technical data	
Dimensions in mm (width)	596
Dimensions in mm (height)	850
Dimensions in mm (depth)	643
Appliance depth in mm with opened door	1077
Weight in kg	94
Total rated load in kW	2.10-2.40
Voltage in V	220-240
Fuse rating in A	13
Frequency in Hz	50
Length of supply lead in m	2
Accessories supplied	
3 Caps	•
UltraPhase 1 + 2	•
Voucher for 5 Miele UltraPhase cartridges	•

WWG 660 WCS TDos & 9kg
W1 front-loader washing machine:
with TwinDos, CapDosing and Miele@home for smart laundry care.



EAN: 4002516257820 / Material number: 11359290 / Old Material Number: 11WG6601GB

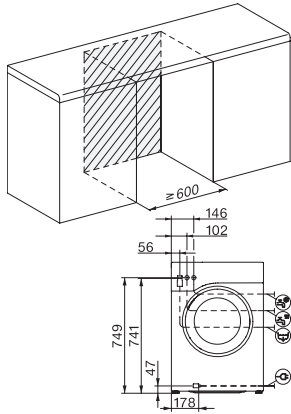
Available display languages

Available display languages via MultiLingua

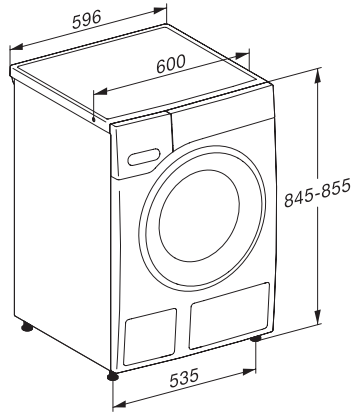
bahasa malaysia, deutsch,
english (AU), english (GB),
español, português, ,

, ,

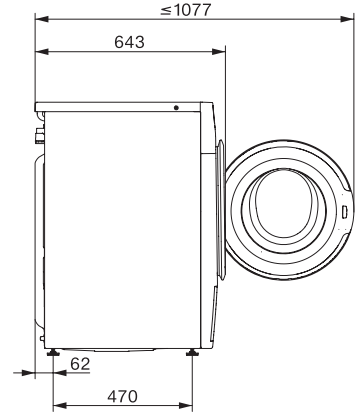
WWG 660 WCS TDos & 9kg
W1 front-loader washing machine:
with TwinDos, CapDosing and Miele@home for smart laundry care.



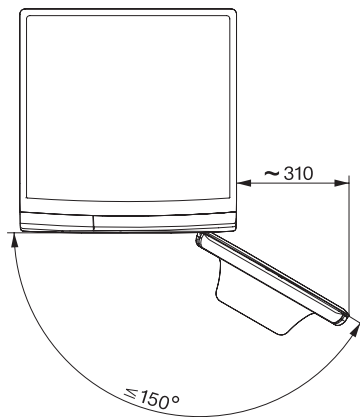
W1 drawing, facia 5 degree, measures in cm



W1 drawing, facia 5 degree, measures in cm



W1 drawing, facia 5 degree, measures in cm



W1 drawing, facia 5 degree, measures in cm