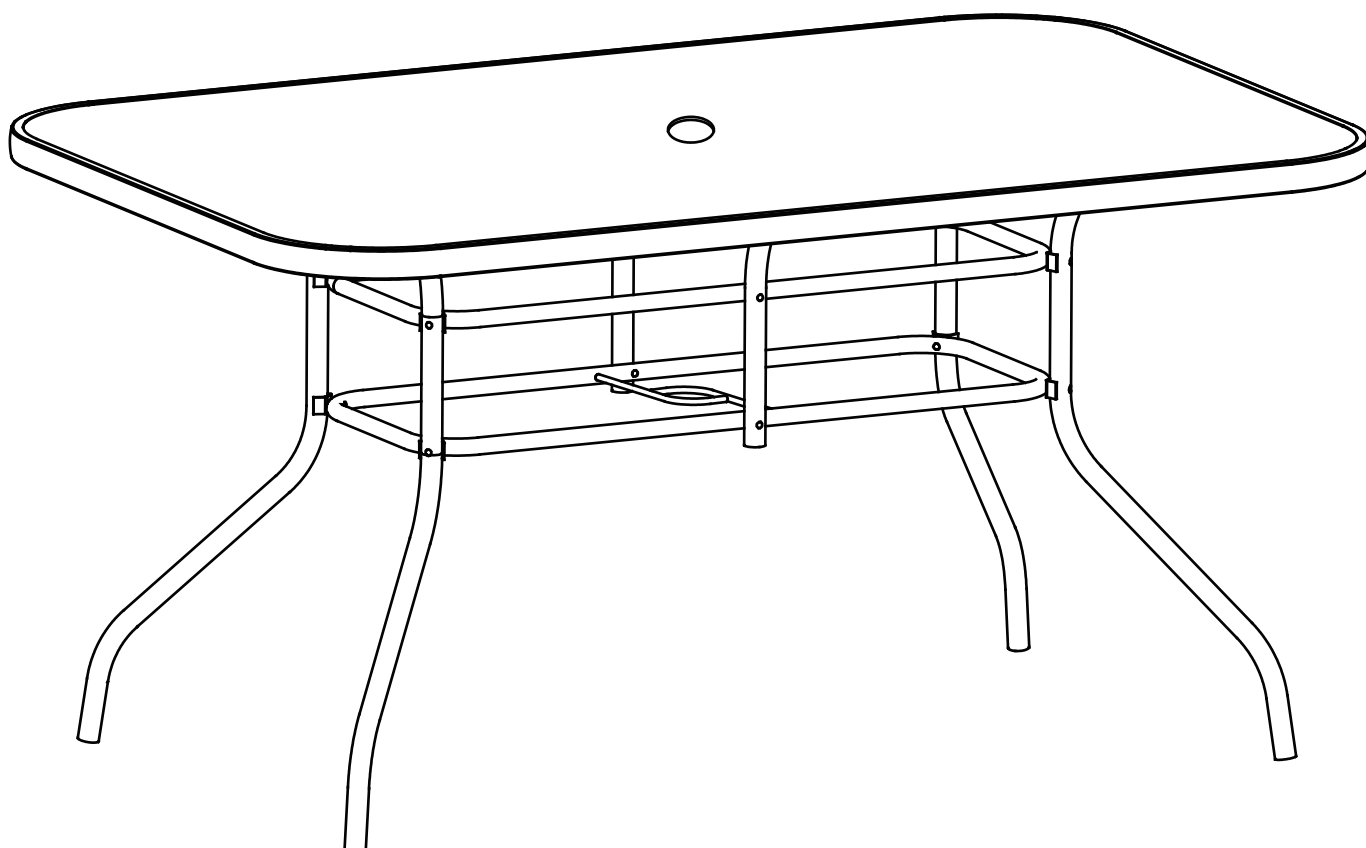


Sicily 6 Seater Patio Set

Assembly Instructions - Please keep for future reference

2926106



Dimensions

Width - 140cm
Depth - 89cm
Height - 71cm

Important - Read these instructions fully before starting assembly

If you need help or have damaged or missing parts, call the Customer Helpline: 03456400800



Safety and Care Advice

Important - Read these instructions fully before starting assembly

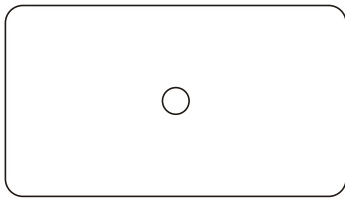
- This product is manufactured from toughened safety glass. In the unlikely event that the glass fails it will break in to a large number of small fragments that may be spread over a wide area. This is a feature of toughened glass ,designed to remove the risk of Injury from glass breaking into large shards.
- If the glass is chipped or broken , stop using the product and consult the manufacturer or supplier.
- Check you have all the components and tools listed on page 2.
- Remove all fittings from the plastic bags and separate them into their groups.
- Keep children and animals away from the work area, small parts could choke if swallowed.
- Make sure you have enough space to layout the parts before starting.
- Do not stand or put weight on the components during assembly, this could cause damage.
- Assemble on a soft level surface to avoid damaging the unit or your floor.
- Parts of the assembly will be easier with 2 people.
- Dispose of all packaging carefully and responsibly.
- Do not sit or stand on this table.
- Do not place very hot or very cold items on the glass.
- Warning: The unit weighs approximately 21.5 kgs.Please lift with care.

Care and maintenance

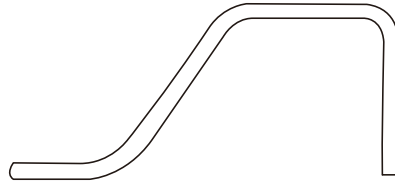
- Wash frame parts with mild soap and water, rinse thoroughly, and dry completely. Do not use bleach, acid, or other solvents on the frame parts.
- Wash glass with mild soap and water, rinse thoroughly, and dry completely.
- Do not use washing powders or any abrasive substances which may scratch the surface.
- When moving the table, remove the umbrella and lift. Do not drag this table.
- We recommend the use of furniture covers when not in use.
- Do not use the glass as chopping surface. Do not strike the glass with hard or pointed items.
- In order to prolong the life and beauty of your table, we recommend that it be stored in a dry and protected area when not in use.

Components - Parts

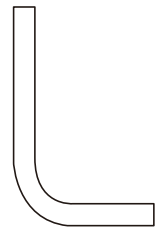
Please check you have all the parts listed below



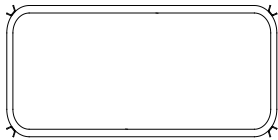
1 Table Top x 1



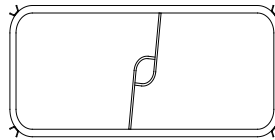
2 Leg x 4



3 Support x 2



4 Center Connector x 1

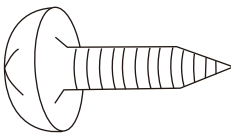
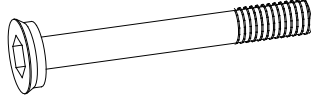
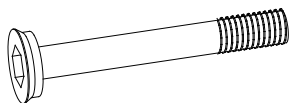
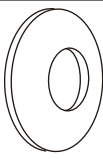
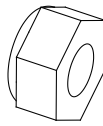
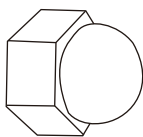
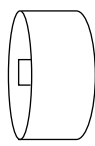


5 Center Connector With Ring x 1

Components - Fittings

Please check you have all the fittings listed below

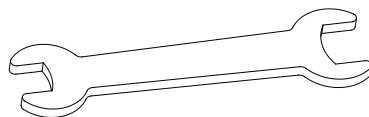
Note: The quantities below are the correct amount to complete the assembly.

<p>6</p>  <p>ST4.2 x 12 Screw x 6</p>	<p>7</p>  <p>M6 x 55mm Bolt x 8</p>	<p>8</p>  <p>M6 x 52mm Bolt x 4</p>
<p>9</p>  <p>d6.5 x D13 x 1.0 Washer x 24</p>	<p>10</p>  <p>M6 Metal Nut x 12</p>	<p>11</p>  <p>M6 x P1.0 Plastic Nut x 12</p>
<p>12</p>  <p>M6 Bolt Cap x 12</p>		

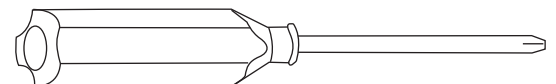
Tools required



4mm Hex Key



10 mm Nut Wrench

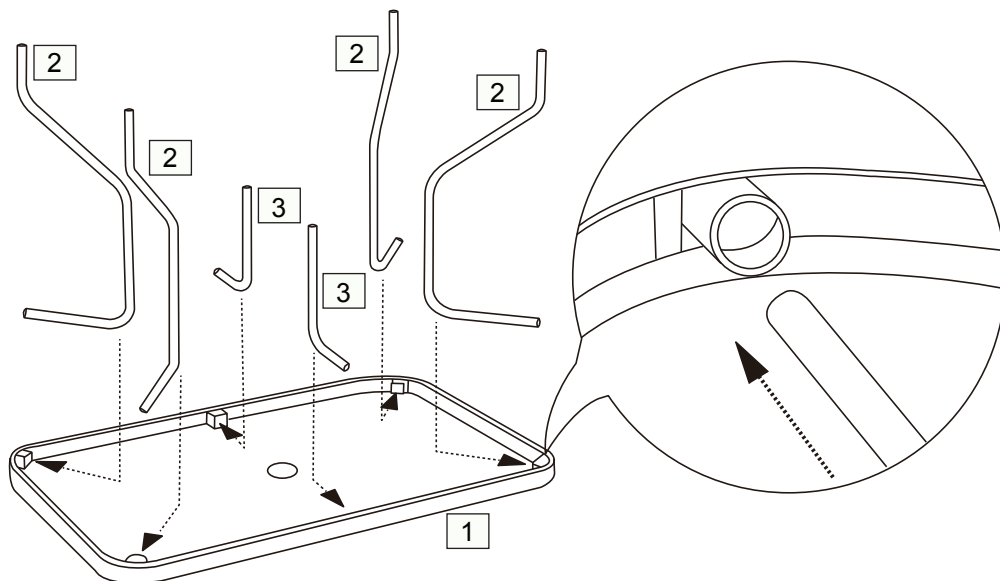


Screwdriver (Provided By Customer)

Assembly Instructions

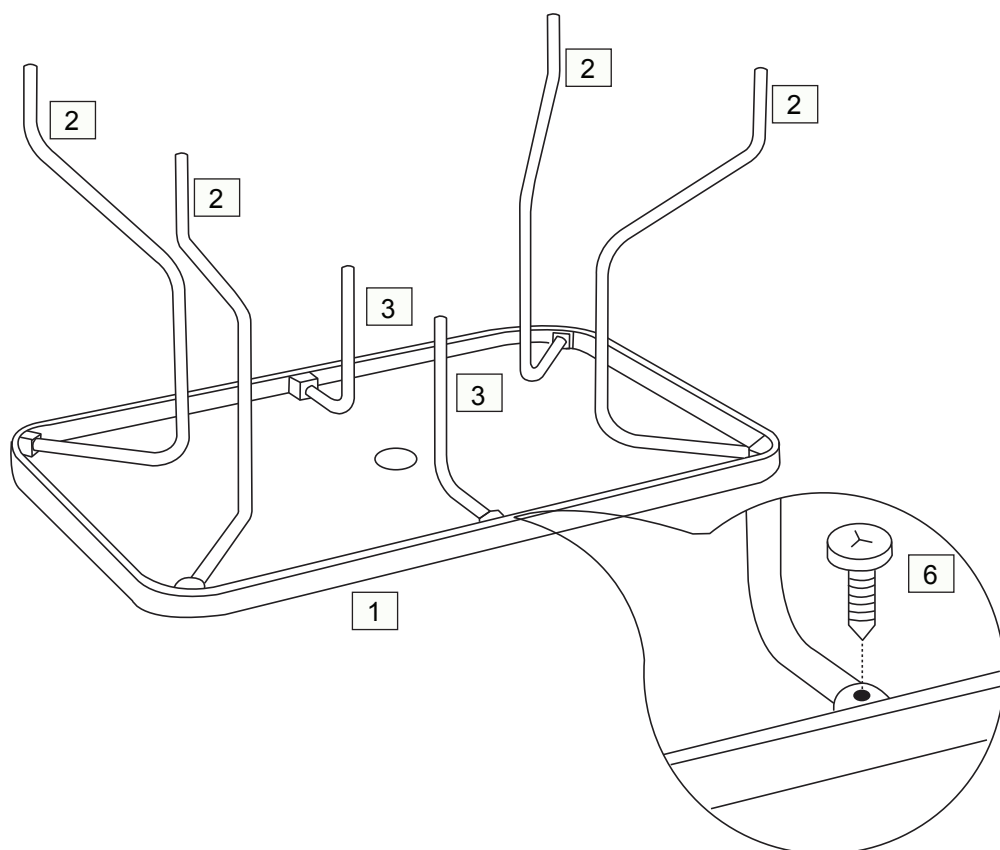
Step 1

Place the table top **1** onto a non-abrasive surface, such as a carpet, with its underside facing upwards. Insert the legs **2** and the supports **3** into the plastic holders on the underside of the table top **1** rim.



Step 2

Attach the supports **3** and legs **2** to the plastic holders on the underside of the table top **1** rim by using screws **6**.

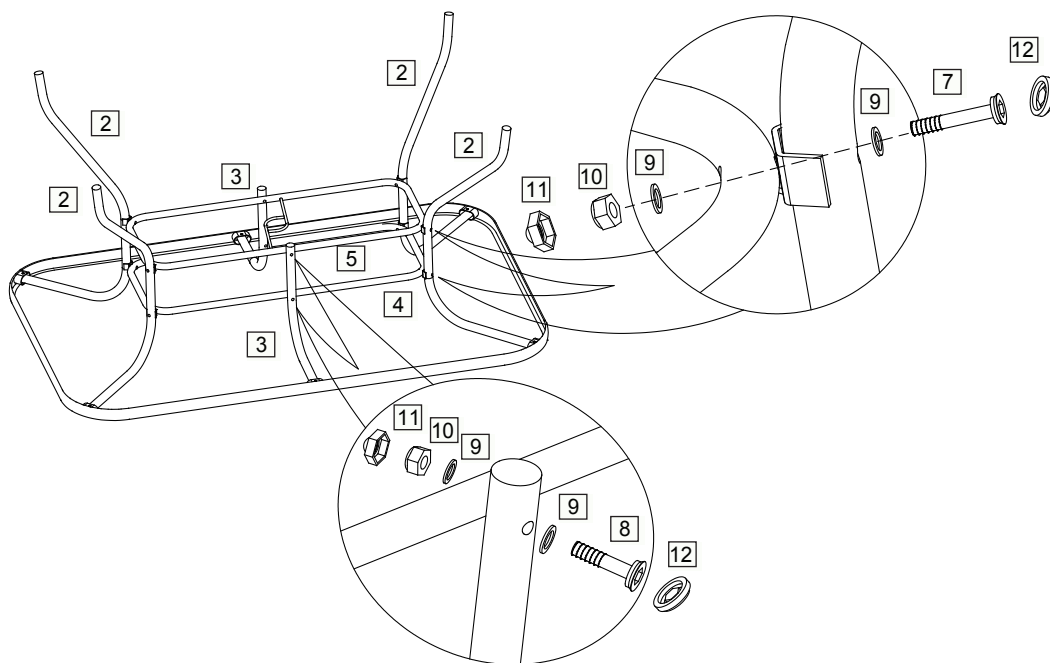


Assembly Instructions

Step 3

Attach the center connector **4** and the center connector with ring **5** to the middle of the legs **2** by using bolts **7**, washers **9**, Metal Nut **10** and plastic nuts **11**.

Attach the center connector **4** and the center connector with ring **5** to the middle of the legs **3** by using bolts **8**, washers **9**, Metal Nut **10** and plastic nuts **11**. Make sure that all of the bolts have been tightened completely and cover them with bolt caps **12**.



Step 4

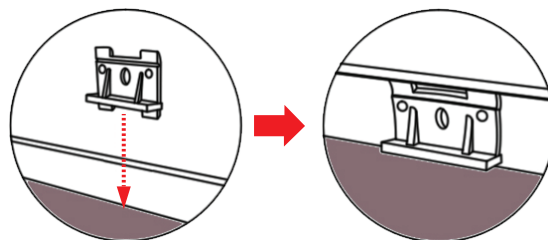
Turn the table to its upright position.

Note:

To use an umbrella with this table, remove the plastic center plug and put the umbrella pole through the table top and center connector ring.

Parts of the assembly will be easier with 2 people.

A weighted umbrella base should be used when using an umbrella with this table.



Warning: Don't detach the plastic support from the table frame! It is for glass support!

Assembly is completed.

If you need help or have damaged or missing parts, call the Customer Helpline: 03456400800
Retailer: Argos
Address: 489-499 Avebury Boulevard Saxon Gate West, Central Milton Keynes Bucks, MK9, 2NW