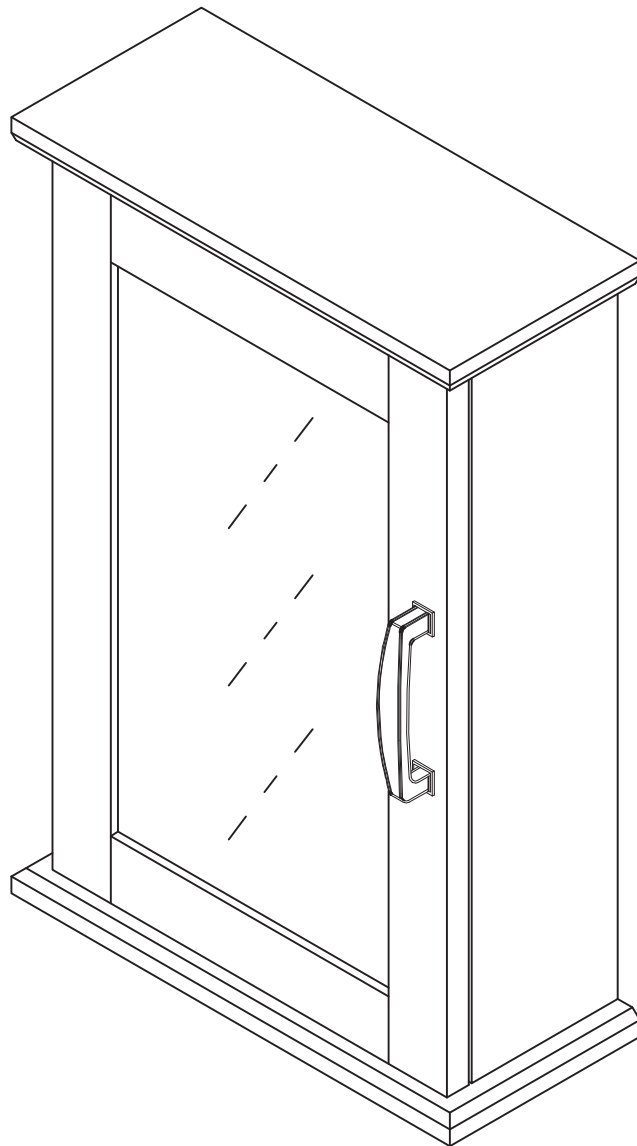


# Classic Mirror Cabinet 1 Door

HOME



## Spare Parts

 [www.argos-support.co.uk](http://www.argos-support.co.uk)

 [Help@ClickSpare.co.uk](mailto:Help@ClickSpare.co.uk)

 03701121928

## Customer Support

 03456402020



# Safety and Care Advice

---

## Product Details

White 336/7922

## IMPORTANT, RETAIN FOR FUTURE REFERENCE: READ CAREFULLY.

- Keep children and animals away from the work area, small parts could choke if swallowed.
- Make sure you have enough space to layout the parts before starting.
- This product has been constructed to be used in the domestic environment only and not for commercial purposes.

- Assemble the item as close to its final position (in the same room) as possible.
- Assemble on a soft level surface to avoid damaging the unit or your floor.



- We do not recommend the use of power drill/drivers for inserting screws as this could damage the unit. Only use hand screwdrivers.
- Parts of the assembly will be easier with 2 people.
- Dispose of all packaging carefully and responsibly.

## Care and maintenance

---

- Only clean using a damp cloth and mild detergent. Do not use abrasive cleaners.
- Use a dry cloth to clean the product, furniture polish is not recommended.
- From time to time check that there are no loose screws, nuts or bolts. If there are please re-tighten.
- This product should not be discarded with household waste. Take to your local authority waste disposal centre.

## WARNING

---

- Do not place very hot or very cold items directly on glass surfaces.
- Do not use washing powders or any other substances containing abrasive, as these may scratch the glass.
- Do not sit or stand on glass surfaces.
- Do not Strike the glass with hard or pointed items, or use the glass as a chopping surface.

## Additional Guidance

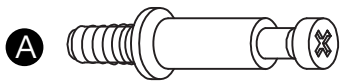
---

- Regularly check and ensure that all bolts and fittings are tightened properly.

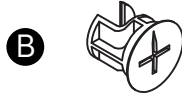
# Fittings

---

## Bag 1



A 35 mm Male Camlock x 4



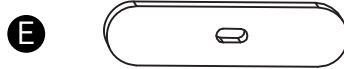
B 15 mm Female Camlock x 4



C 30 mm Dowel x 12



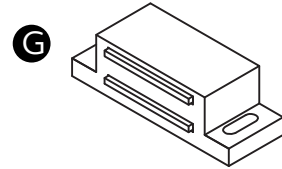
D 12 mm Screw x 9



E Catch Plate x 1



F 14 mm Screw x 2



G Magnetic Catch x 1



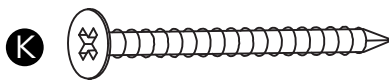
H 16 mm Machine Screw x 2



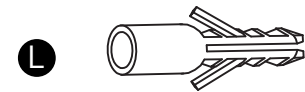
I Shelf Supports x 4



J 12 mm Screw x 10



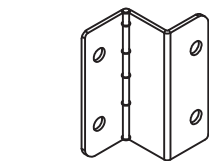
K 45 mm Screw x 2



L Wall Plug x 2

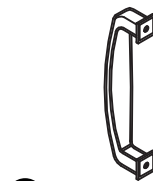
# Hardware

---



M

Hinges x 2

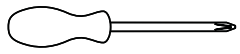


N

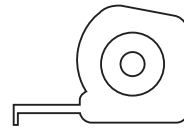
Handle x 1

# Tools required

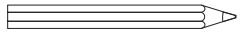
---



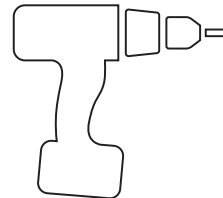
Phillips screwdriver  
(small & medium)



Ruler/tape  
measure



Pencil



Power Drill



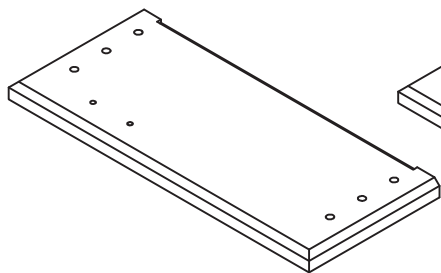
Spirit Level



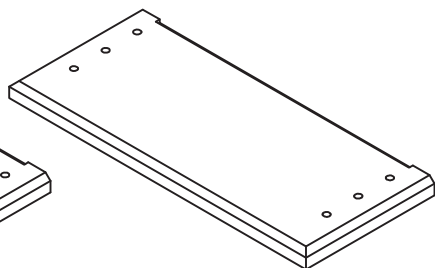
Drill Heads

# Panels

---



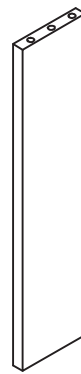
1 Top Panel x 1  
(300 x 130mm)



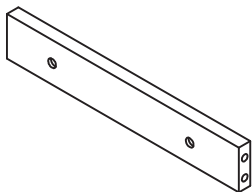
2 Bottom Panel x 1  
(300 x 130mm)



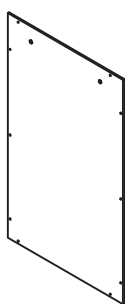
3 Left Panel x 1  
(430 x 100mm)



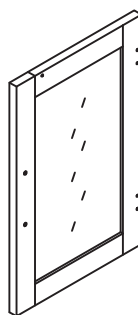
4 Right Panel x 1  
(430 x 100mm)



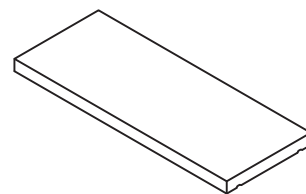
5 Cross Plinth x 1  
(240 x 40mm)



6 Back Panel x 1  
(450 x 260mm)

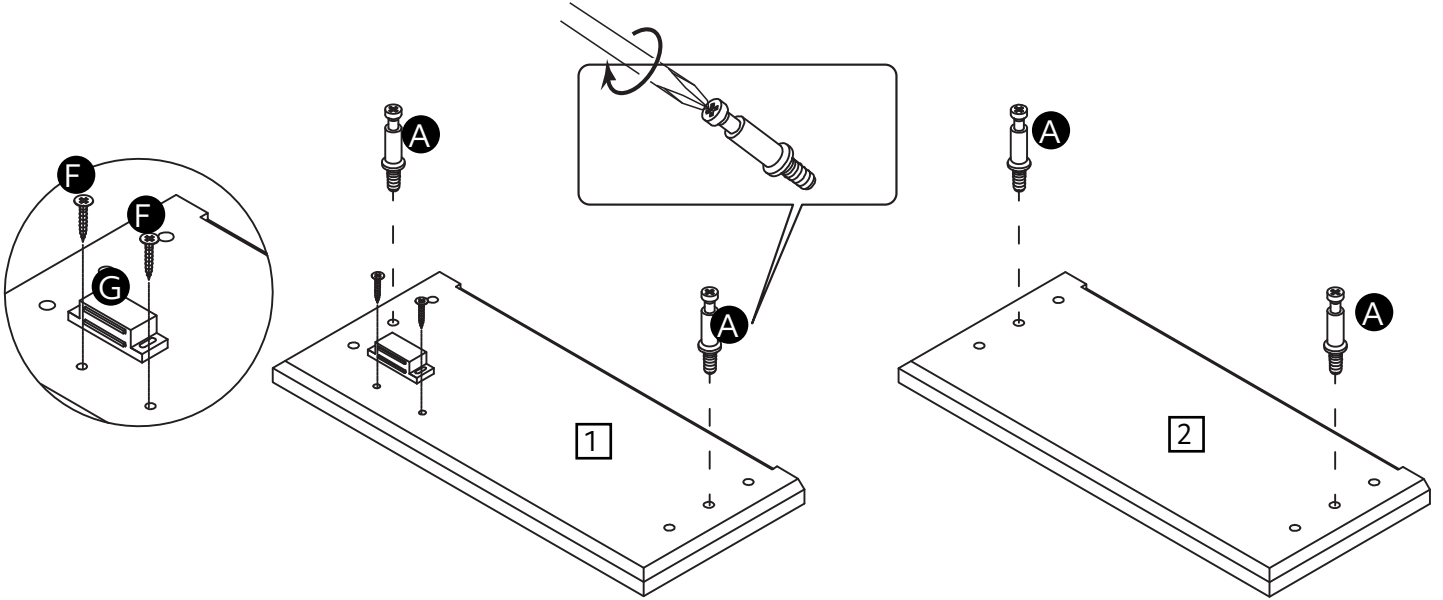
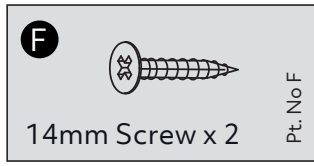
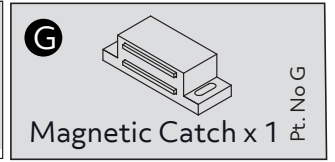
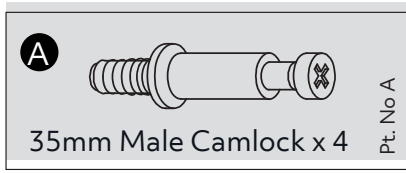
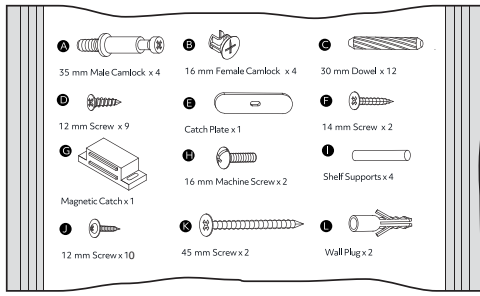


7 Door x 1  
(425 x 270mm)

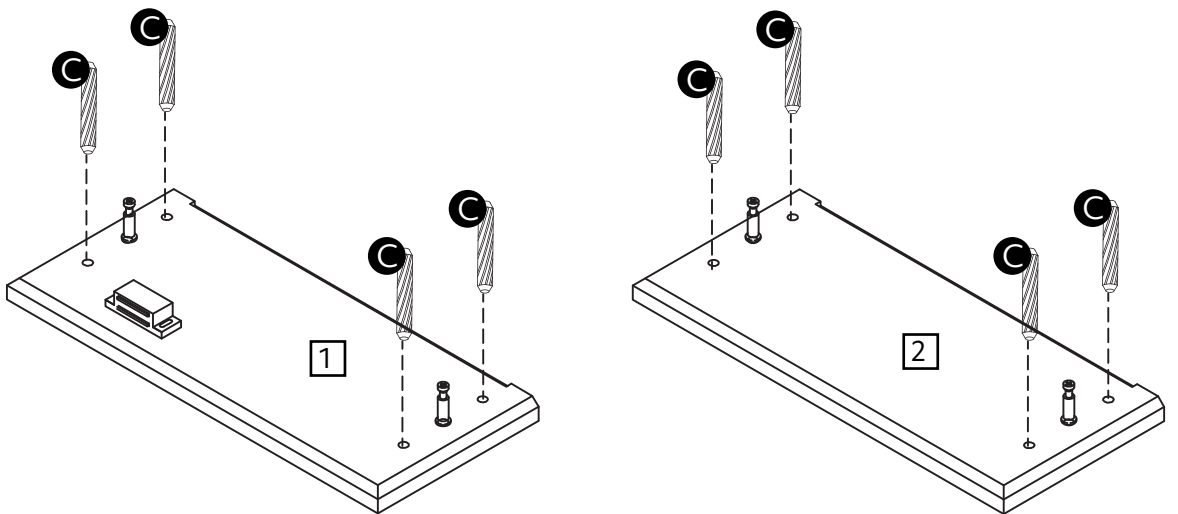
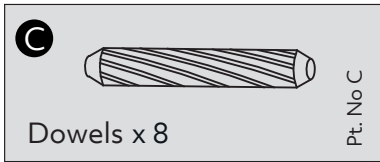


8 Shelf x 1  
(238x95mm)


# 1

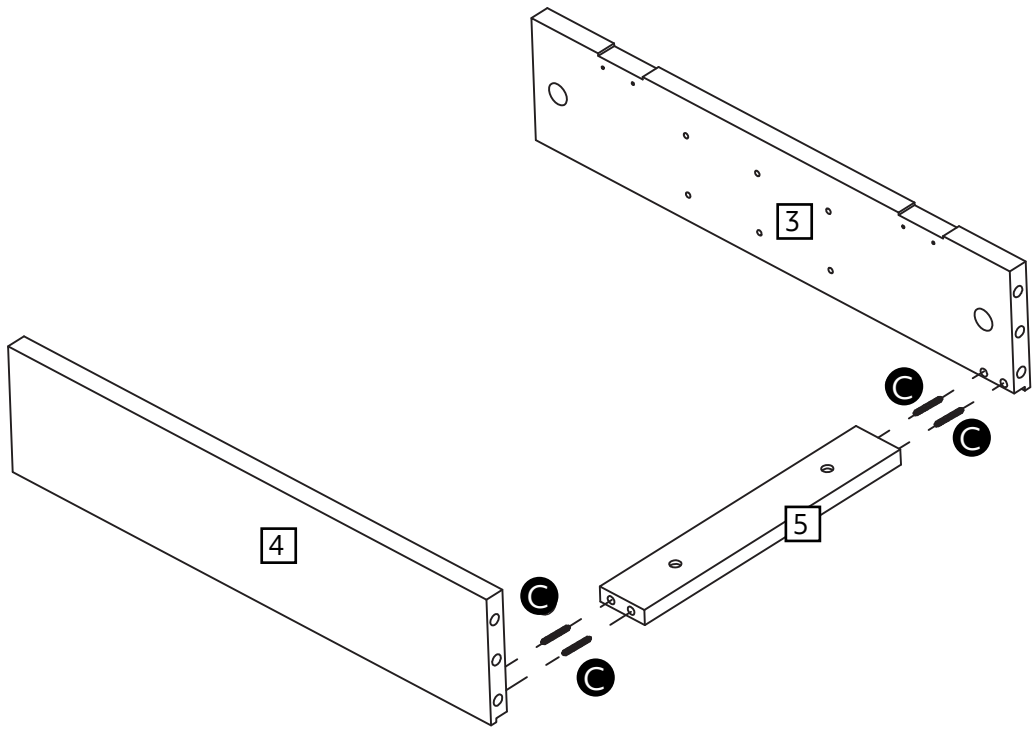


# 2



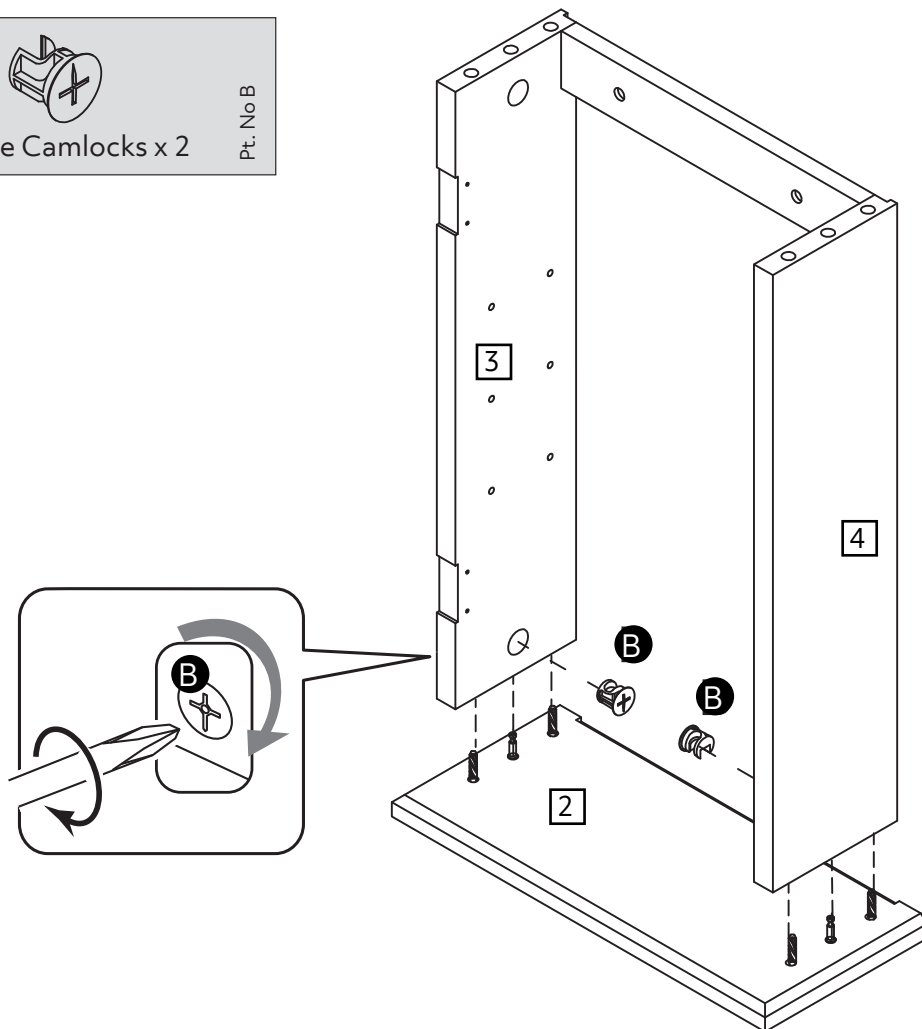
# 3

**C**  Dowels x 4  
Pt. No C



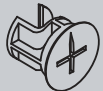
# 4

**B**  Female Camlocks x 2  
Pt. No B



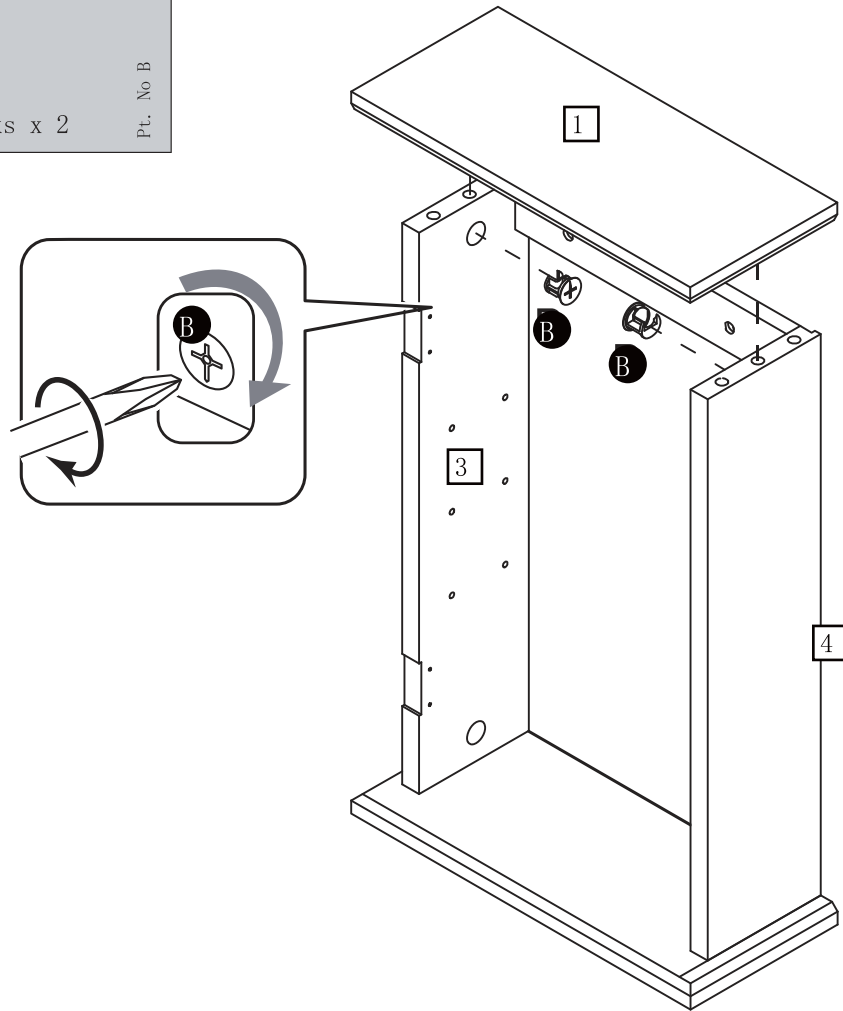
# 5

**B**



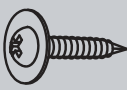
Female Camlocks x 2

Pt. No B



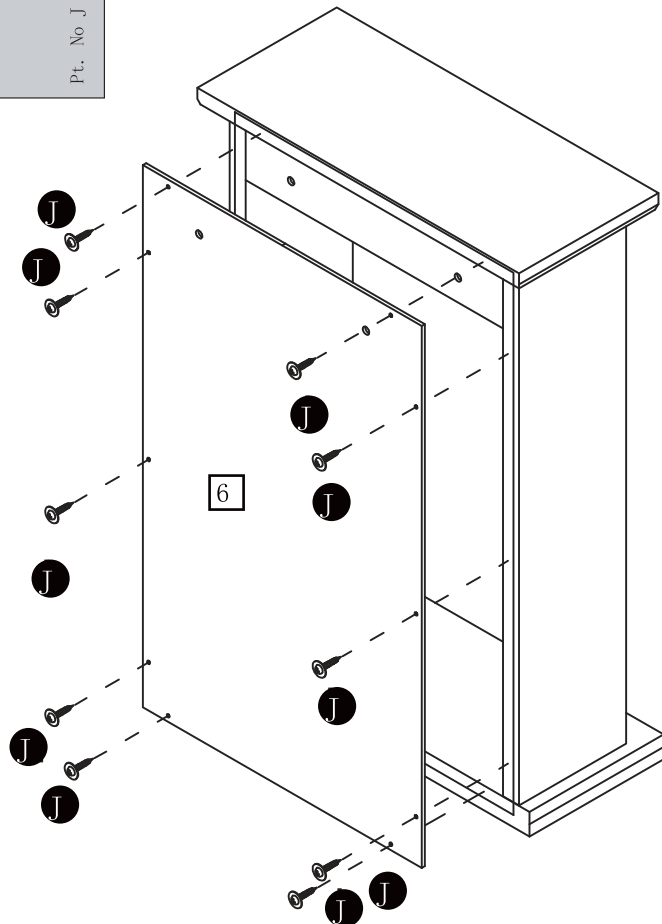
# 6

**J**




12mm Screw x 10


Pt. No J




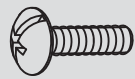


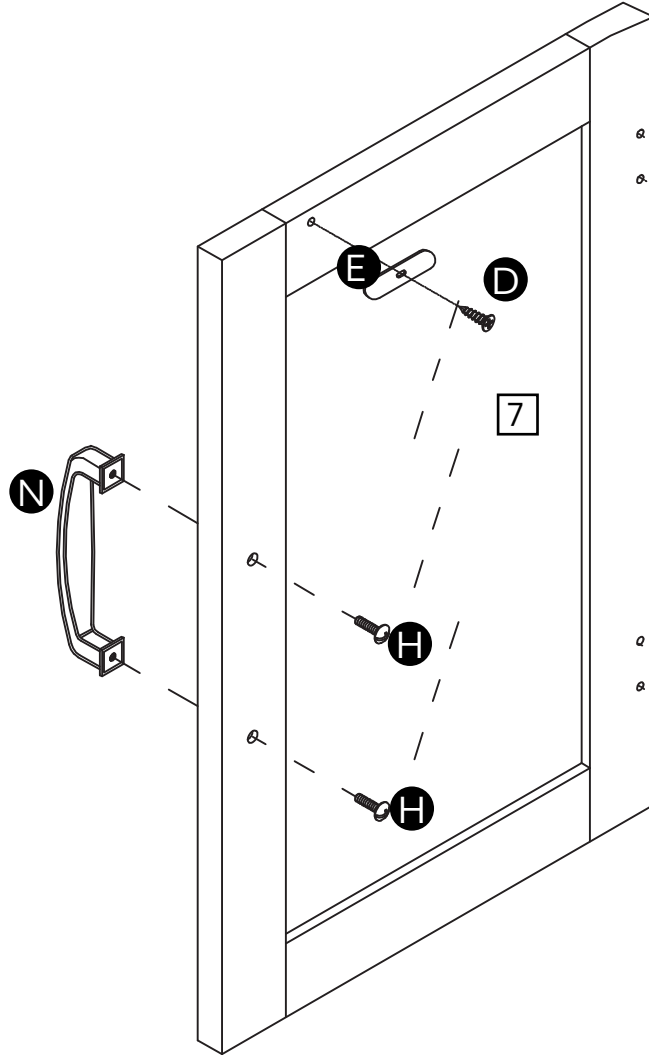
# 7

**E**  Pt. No E  
Catch Plate x 1

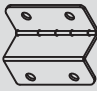
**D**  Pt. No D  
12mm Screw x 1

**N**  Pt. No N  
Handle x 1

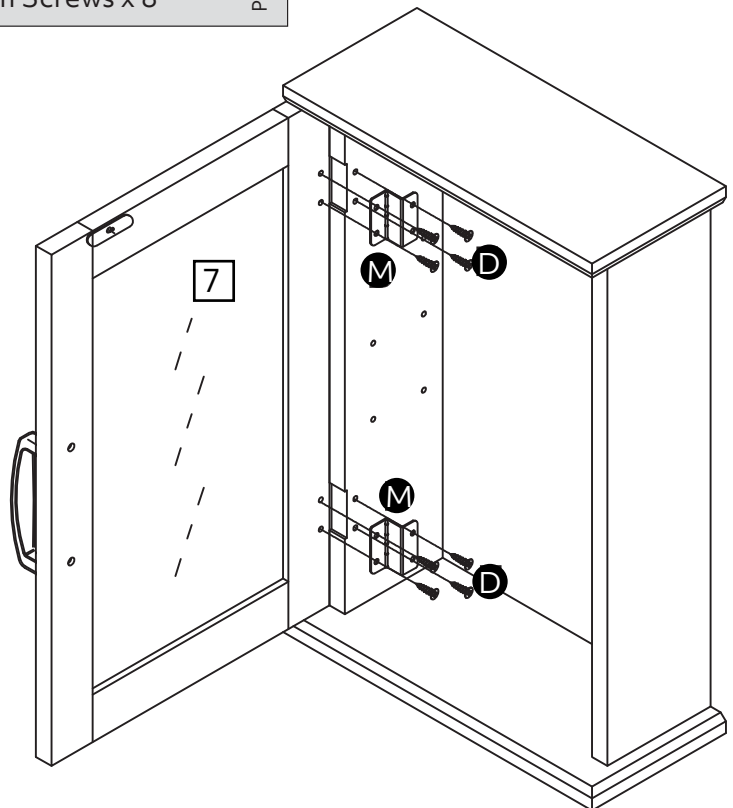
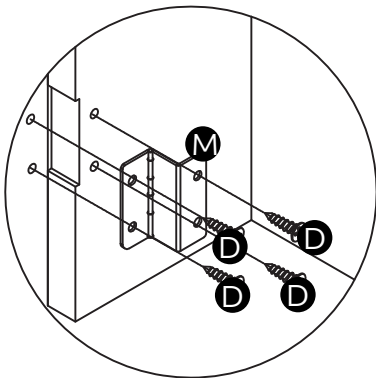
**H**  Pt. No H  
16mm Screw x 2



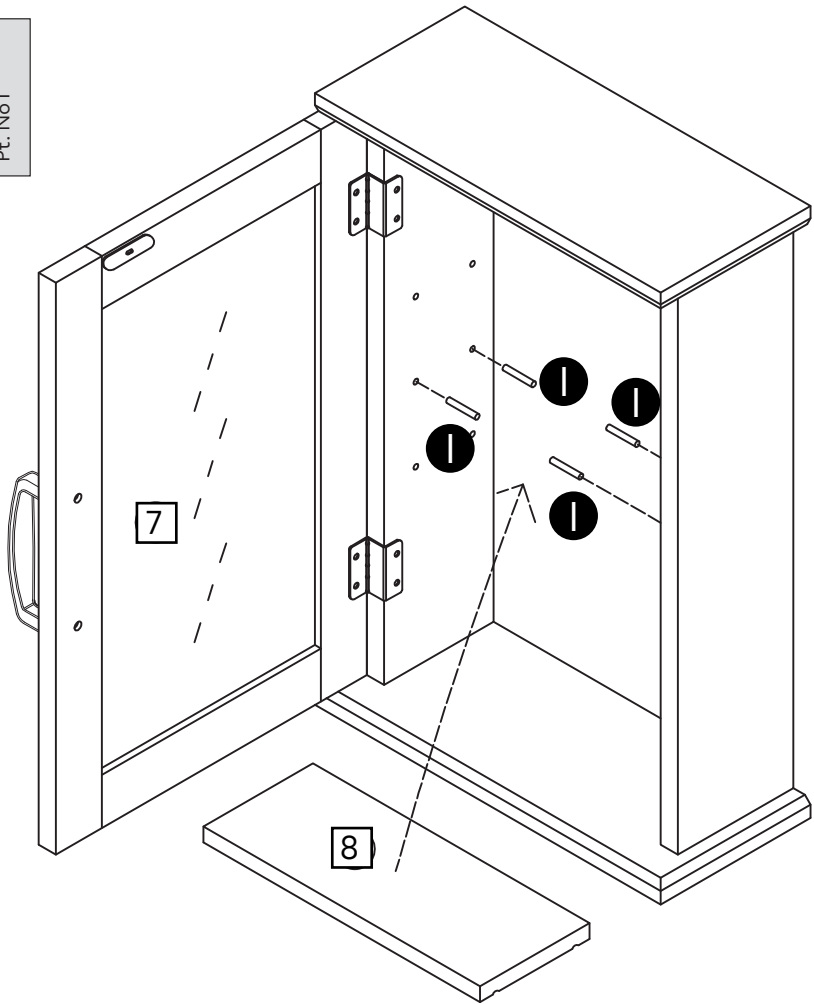
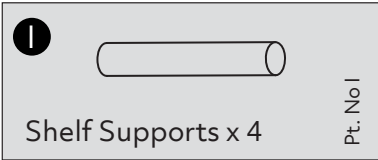
# 8

**M**  Pt. No M  
Hinges x 2

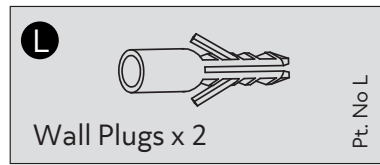
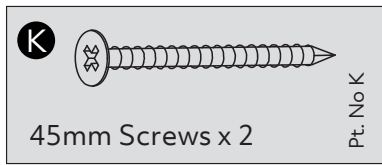
**D**  Pt. No M  
12mm Screws x 8



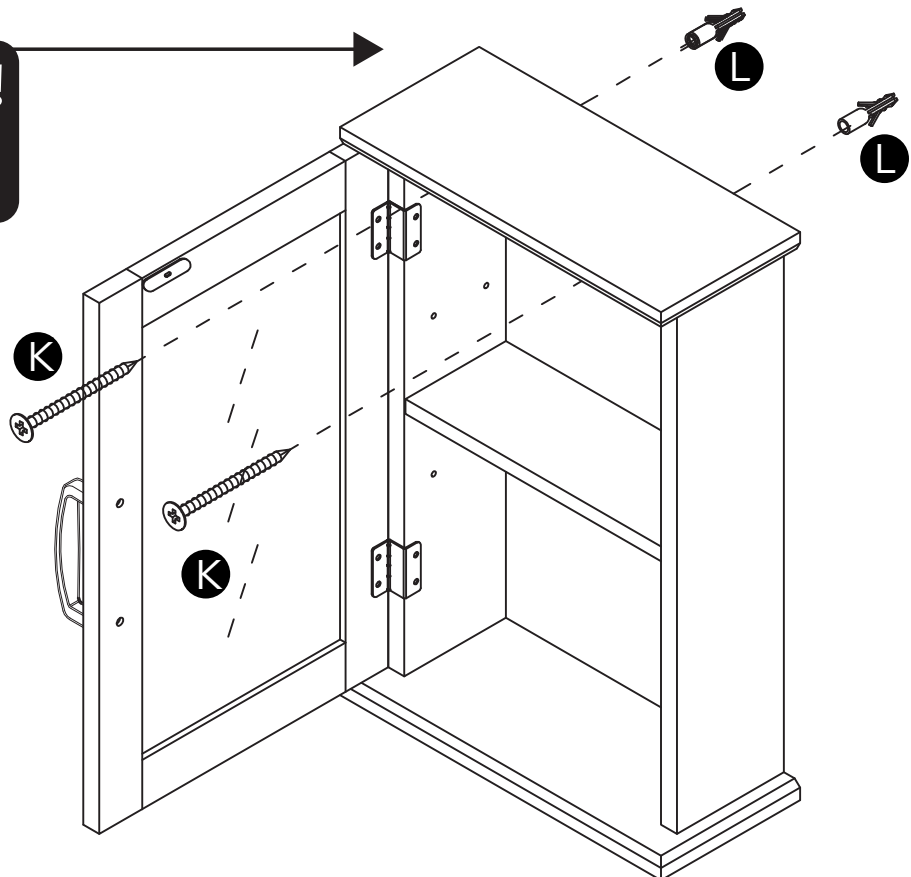
# 9



# 10



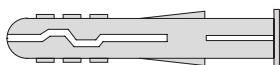
**WARNING!**  
IN ORDER TO PREVENT OVERTURNING  
THIS PRODUCT MUST BE USED WITH  
THE WALL ATTACHMENT DEVICE  
PROVIDED



# A Guide to Wall Mounting & Fixings

## Important note:

If plastic wall plugs (rawl plugs) are supplied with your product, e.g.:



- these are only suitable for use in masonry walls.

If you are in any doubt about the correct wall plugs for your wall, seek professional advice.


Failure of the product due to using the incorrect fixings is the responsibility of the installer.



**Important:** when drilling into walls always check that there are no hidden wires or pipes etc.

Make sure that the screws and wall plugs being used are suitable for **supporting your unit.** Consult a qualified tradesperson if you are unsure.

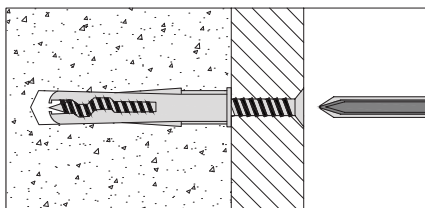
Hints:

- 1: General rule:  always use a larger screw and wall plug if you are not sure.
- 2: Ensure you use the recommended drill bit to match the wall plug and hole size.
- 3: Ensure you drill the hole horizontally; do not force the drill or enlarge the hole.
- 4: Take extra care when drilling high walls, ceilings and ceramic tiles. Ensure wall plugs are inserted beyond the thickness of the ceramic tiles to avoid the tiles splitting or cracking.
- 5: Ensure wall plugs are well fitted and are a tight fit in the drilled hole.

## Types of walls

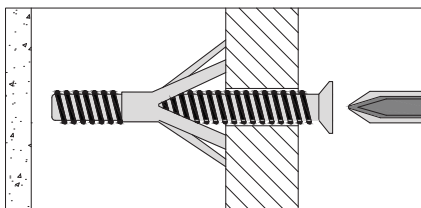
You can use one of the following types of wall plug if your walls are made of brick, breeze block, concrete, stone or wood.

No.1 "General Purpose" wall plug



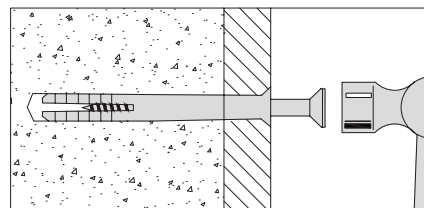
Generally aerated blocks should not be used to support heavy loads, use a specialist fitting in this case. For light loads, general purpose wall plugs can be used.

No.3 "Cavity Fixing" wall plug



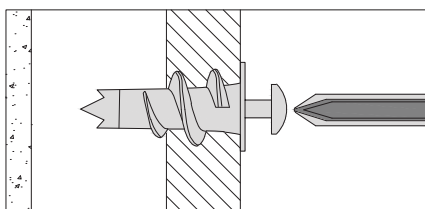
For use with plasterboard partitions or hollow wooden doors.

No.5 "Hammer Fixing" wall plug



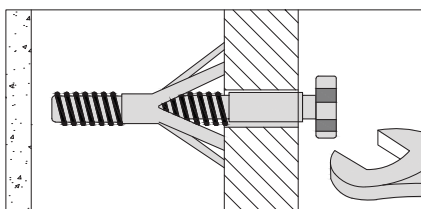
For use with walls stuck with plasterboard. The hammer fixing allows it to be fixed to the wall rather than the plasterboard. Always check the fixing is secure to the retaining wall.

No.2 "Plasterboard" wall plug



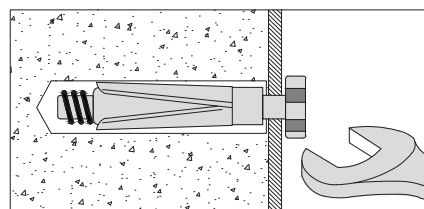
For use when attaching light loads onto plasterboard partitions.

No.4 "Cavity Fixing - Heavy Duty" wall plug



For use when fitting or supporting heavy loads such as shelving, wall cabinets and coat racks.

No.4 "Shield Anchor" wall plug - heavy loads



For use with heavier loads such as TV and HiFi speakers and satellite dishes etc.



## Care & Maintenance

**Safety:** always check the fitting and location to ensure your safety in and around the home.

**Fitting:** from time to time check the fitting: to ensure the wall plugs or screws do not become loose.

# Your 1 Year Guarantee

## Peace Of Mind

### Knowing Your Furniture Is Protected

Protection received within the Manufacturer's Guarantee	Optional Added Protection with Furniture Care
Covers you for manufacturing defects for 1 year.	Covers you for up to 2 years for specific <b>structural defects</b> following the expiry of the manufacturer's guarantee.
In the event of a problem within this time please call <b>0345 640 0800</b> , or visit an Argos store. Please retain your receipt and order number as proof of purchase.	<b>Plus</b> - covers you for <b>accidental damage</b> up to 3 years for incidents such as household spills, rips, tears and burns. Accidental damage cover begins from the moment your plan starts.
	If you want to purchase Furniture Care visit <b><a href="https://argos.productaftercare.co.uk">https://argos.productaftercare.co.uk</a></b> or go into an Argos store.
Key exclusions applying to both the Manufacturer's Guarantee and Furniture Care include where the fault is due to misuse, abuse, deliberate damage, wear and tear, neglect, use in contravention with the instructions, or if the product has been the subject of unauthorised alterations or commercial use (for full list of exclusions please visit <b><a href="https://argos.productaftercare.co.uk">https://argos.productaftercare.co.uk</a></b> or visit an Argos store for more information). You have up to 45 days post purchase to take out Furniture Care. Terms and conditions apply. Your statutory rights remain unaffected.	

## Register

### For Your Manufacturer's Guarantee

Thank you for choosing Argos Home.  
We hope you love your shiny new things!

To provide you with the best possible after sales service, don't forget to visit **<https://argos.productaftercare.co.uk>** where you can **register** for your guarantee.

Once you've registered, you can upload your receipt to store safely online, alongside details of our after sales support service, ready at hand should you need it.

You can also take out Furniture Care which protects you against accidental damage, from the moment you take the plan out, to keep your new furniture looking newer for longer.

**Register Today**

<https://argos.productaftercare.co.uk>