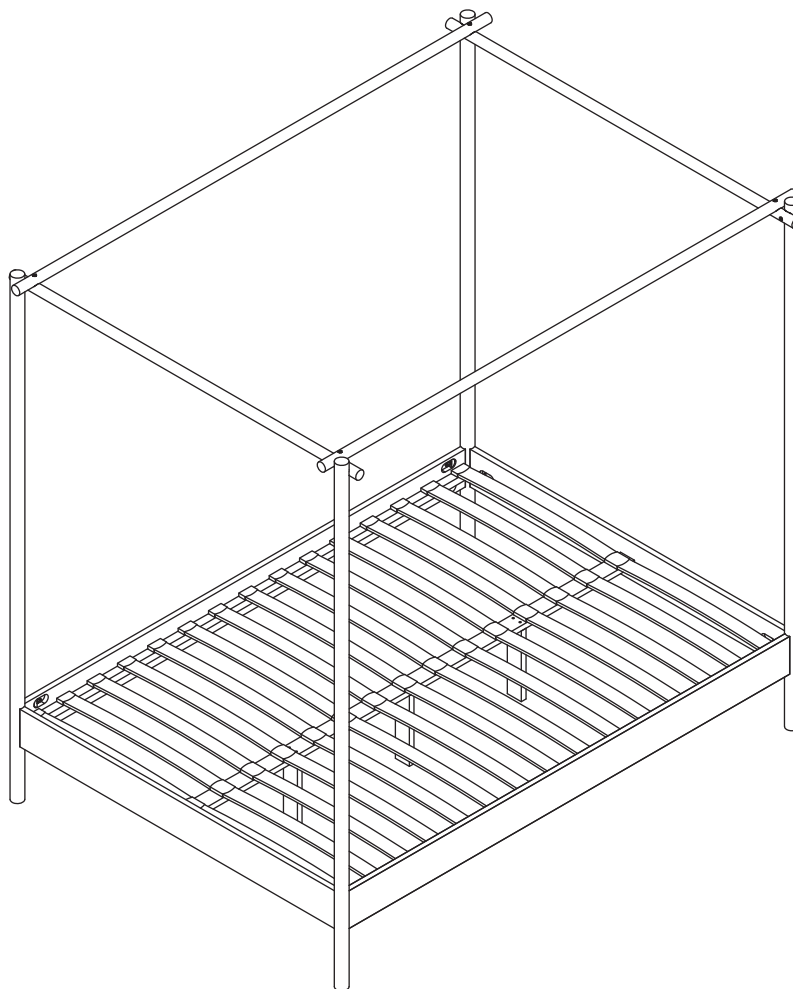


# Akari Double



## Spare Parts

 [www.argos-support.co.uk](http://www.argos-support.co.uk)

 [Help@ClickSpares.co.uk](mailto:Help@ClickSpares.co.uk)

 0370 112 1928

## Customer Support

 0345 640 2020



# Safety and Care Advice

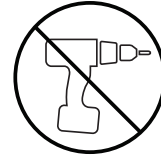
---

## Product Details

Akari Wooden Bed Double / 3367032

## IMPORTANT, RETAIN FOR FUTURE REFERENCE: READ CAREFULLY.

- Keep children and animals away from the work area, small parts could choke if swallowed.
- Assemble the item as close to its final position (in the same room) as possible.
- Assemble on a soft level surface to avoid damaging the unit or your floor.
- We do not recommend the use of power drill/drivers for inserting screws as this could damage the unit. Only use hand screwdrivers.
- Parts of the assembly will be easier with 2 people.
- Dispose of all packaging carefully and responsibly.



## Care and maintenance

---

- Only clean using a damp cloth and mild detergent. Do not use abrasive cleaners.
- From time to time check that there are no loose screws, nuts or bolts. If there are please re-tighten.
- This product should not be discarded with household waste. Take to your local authority waste disposal centre.
- Use a dry cloth to clean the product, furniture polish is not recommended.

## Additional Guidance

---

- Assemble all parts and bolts loosely during assembly, only once the product is complete should you fully tighten the bolts.
- Regularly check and ensure that all bolts and fittings are tightened properly.
- Individual maximum user weight 100kg
- This product is compliant BS EN1725:1998

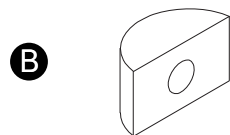
# Fittings (Shown to scale)

---

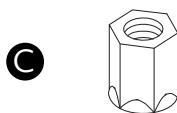
## Bag 1



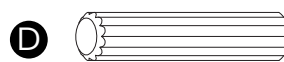
80mm Screw x12



Half moon washer x12



M6 Nut x12



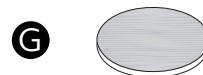
40mm Dowel x12



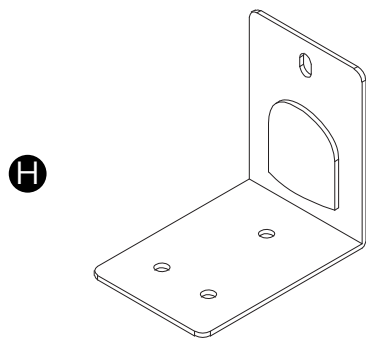
50mm Screw x14



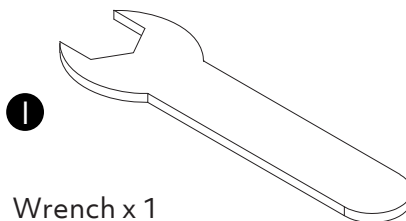
15mm Screw x8



Felt pad x 4



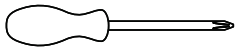
Angle iron x 2



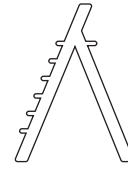
Wrench x 1

# Tools required

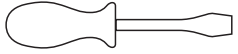
---



Phillips screwdriver  
(small & medium)



Ladder



Phillips screwdriver  
(small & medium)

# Panels

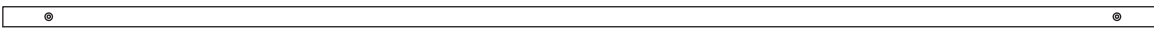
---



**1** Bed Leg x 2  
(Ø45 x 1950mm)



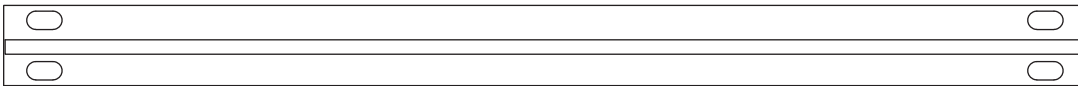
**2** Bed Leg x 2  
(Ø45 x 1950mm)



**3** Upper Rail x 2  
(Ø35 x 2030mm)



**4** Upper Rail x 2  
(Ø35 x 1485mm)



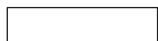
**5** Side Panel x 2  
(1890 x 140mm)



**6** Side Panel x 2  
(1350 x 140mm)



**7** Center Rail x 1  
(1910 x 60mm)



**8** Support Leg x 3  
(260 x 60mm)



**9** Slats x 30  
(680 x 50mm)



**10** Connector x 15



**11** End Cap x 30

# 1



### Please Note!

Ensure at least two people when assemble the product.

**A**

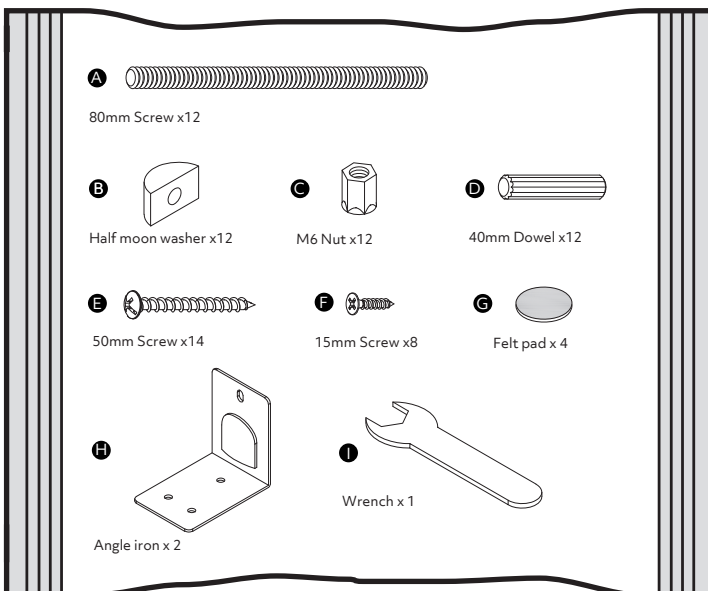
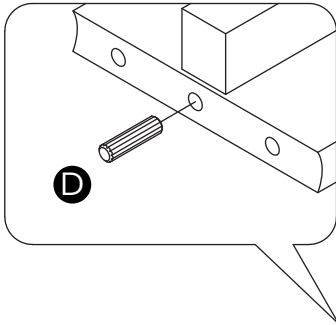
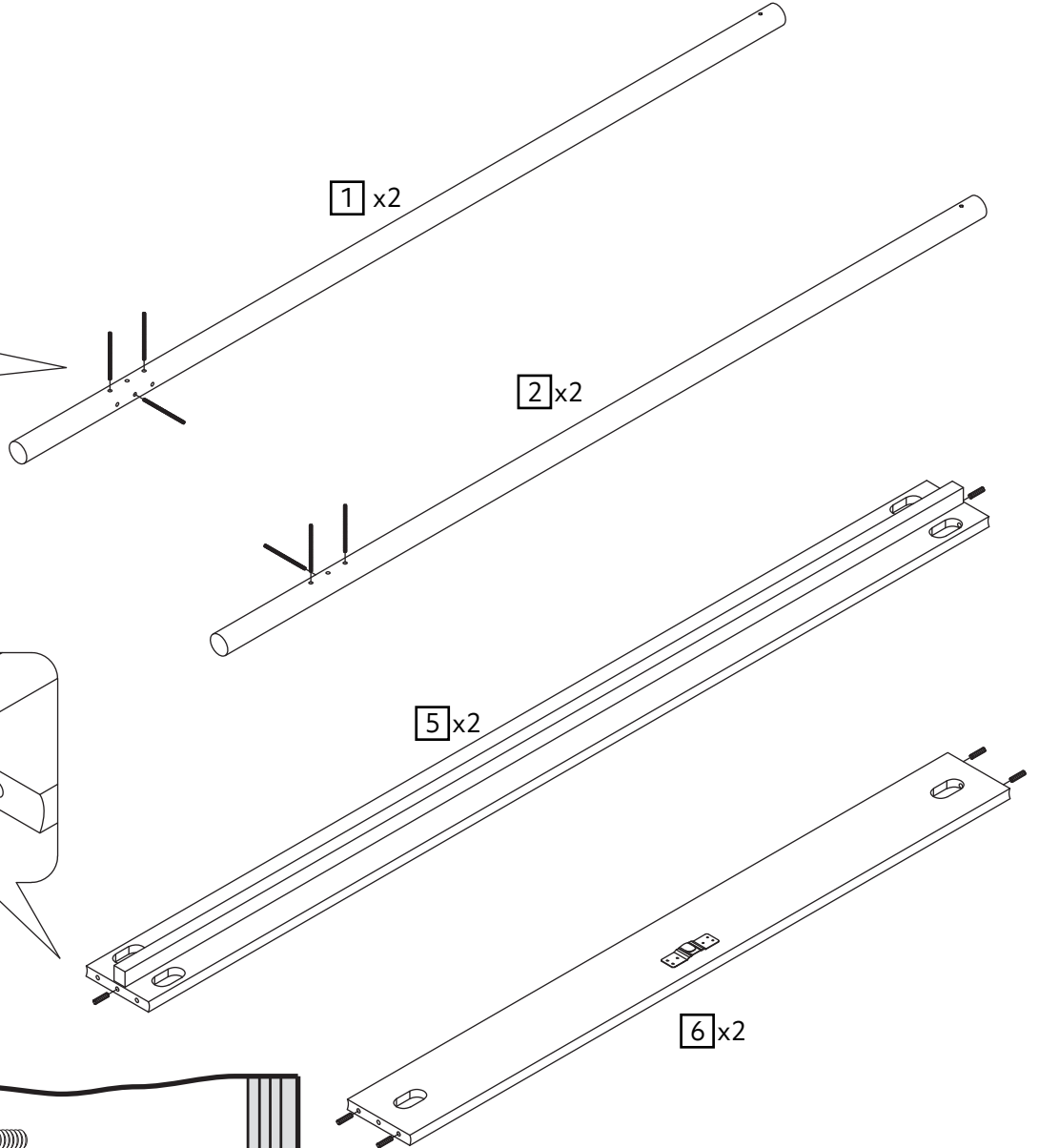
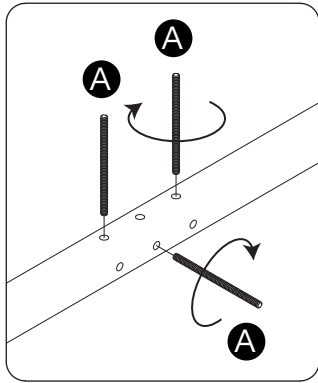


80mm Screw x12

**D**

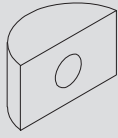


40mm Dowel x12



# 2

**B**



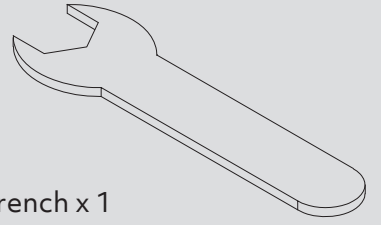
Half moon washer x4

**C**

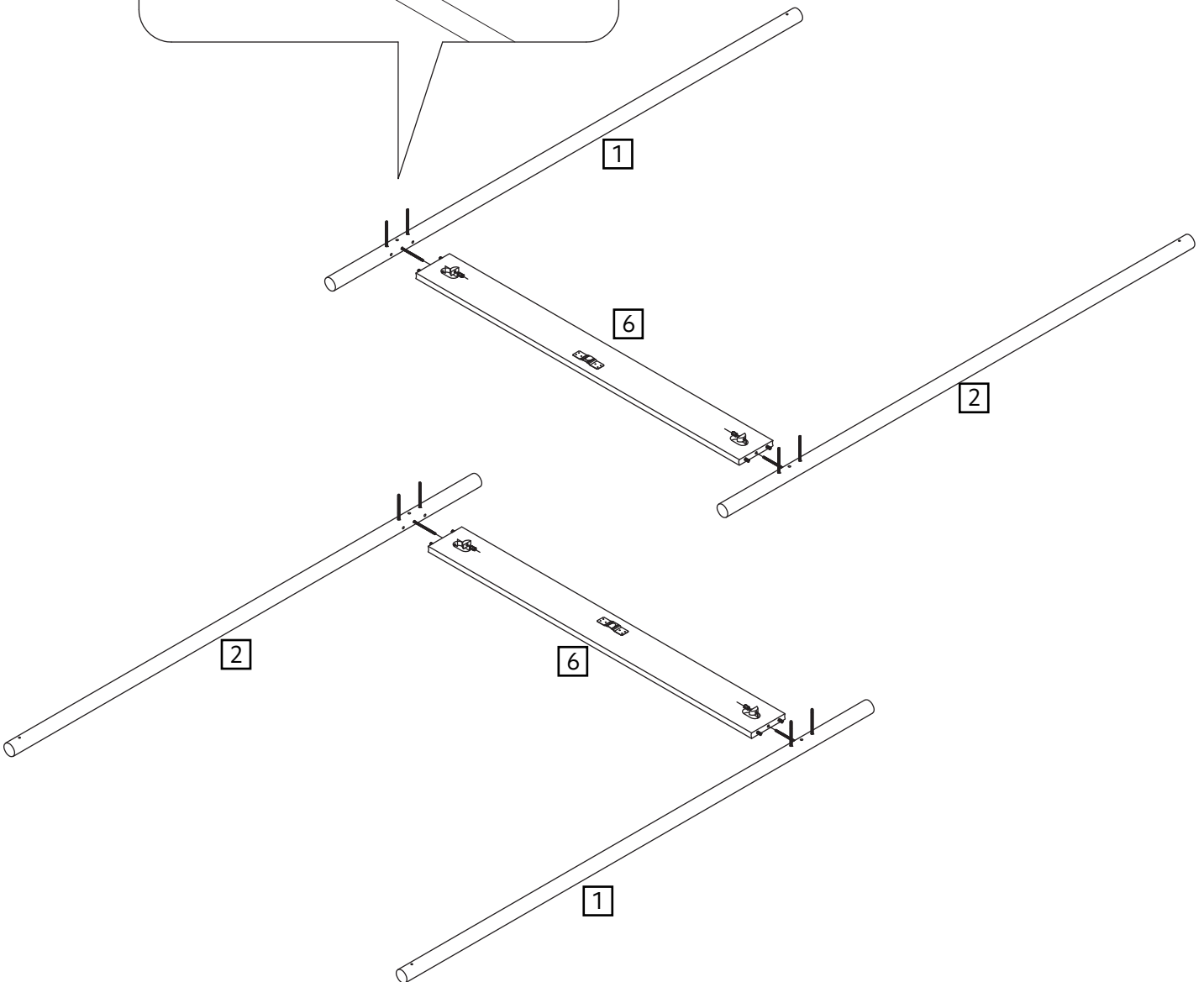
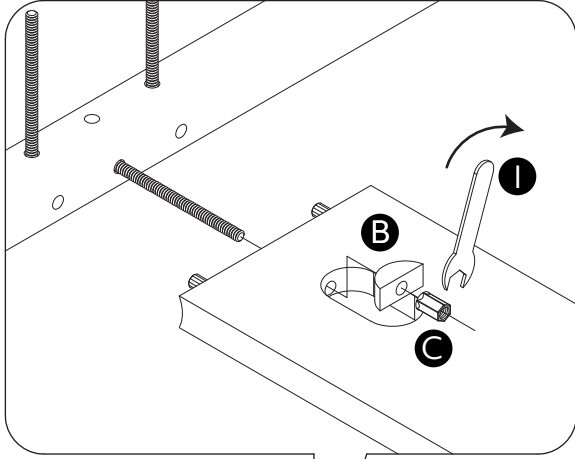


M6 Nut x4

**I**



Wrench x 1



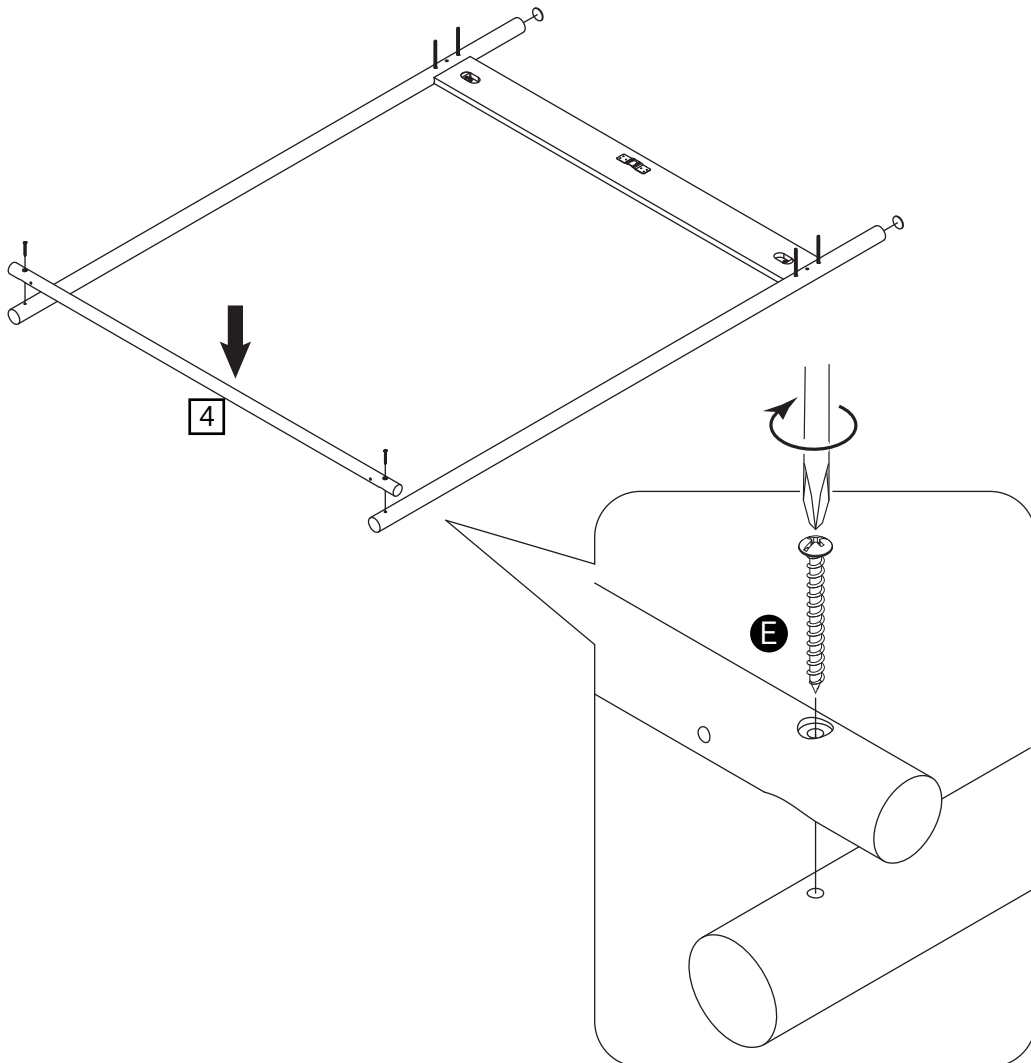
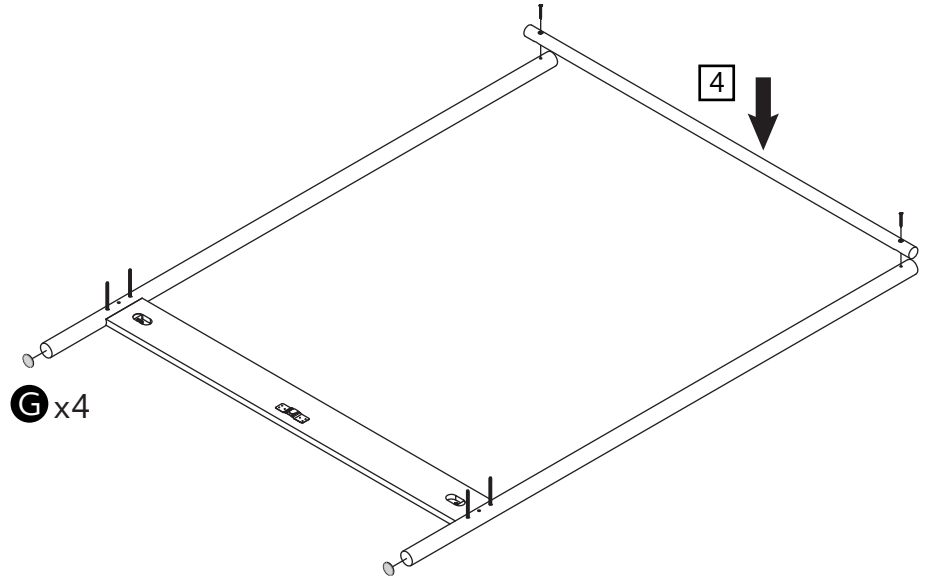
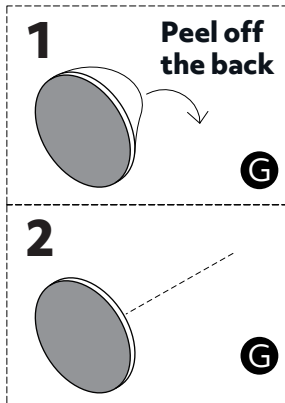
# 3



50mm Screw x4



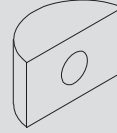
Felt pad x 4





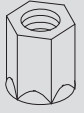
# 4

**B**



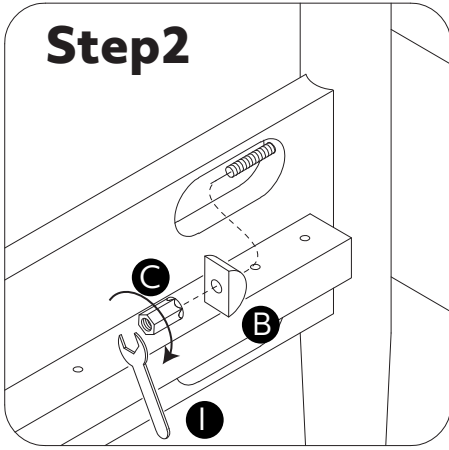
Half moon washer x8

**C**

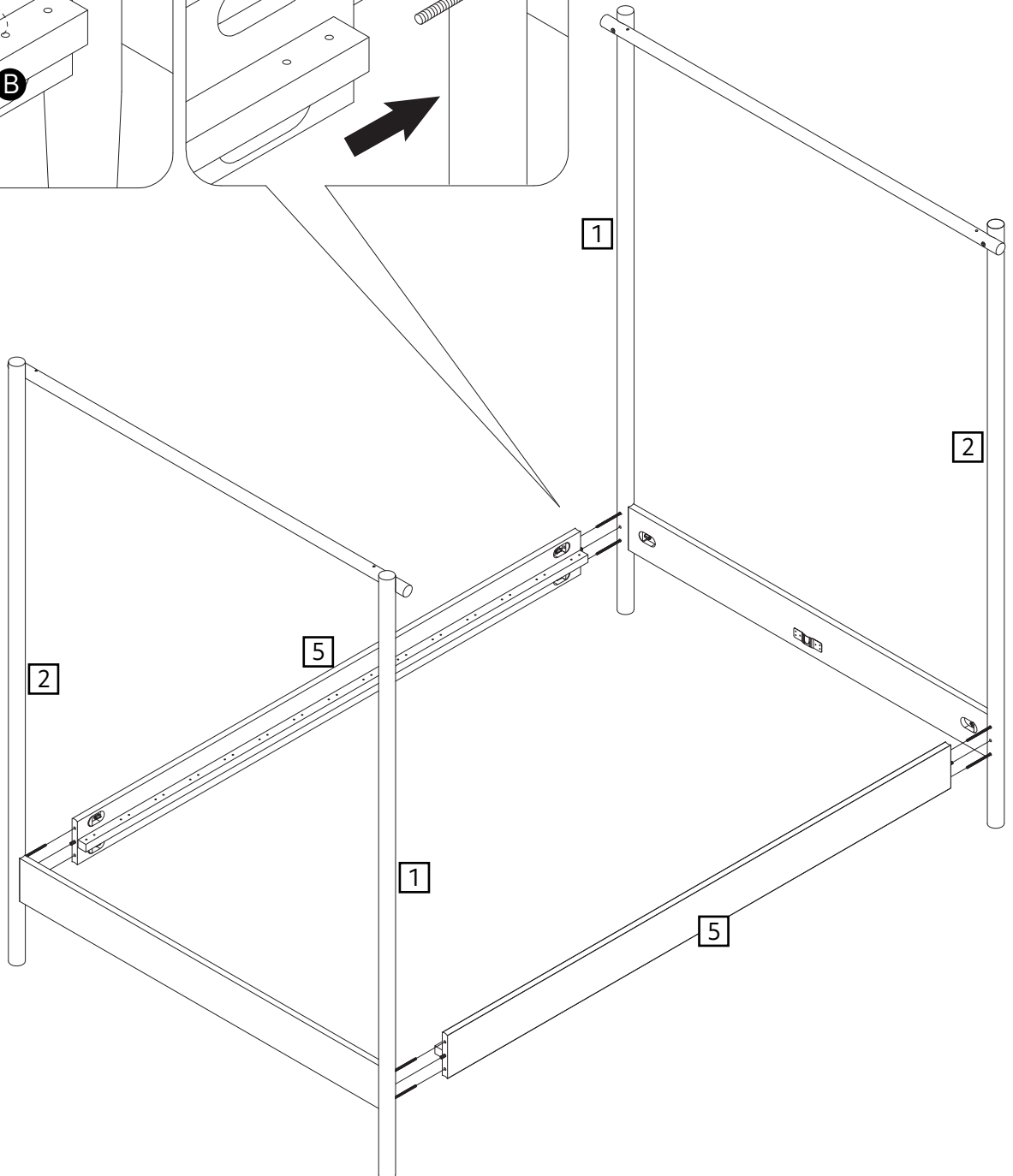
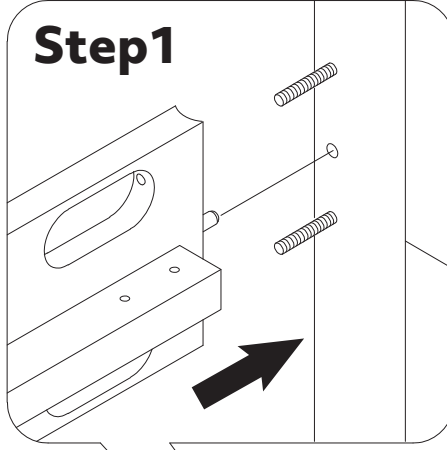


M6 Nut x8

**Step 2**



**Step 1**

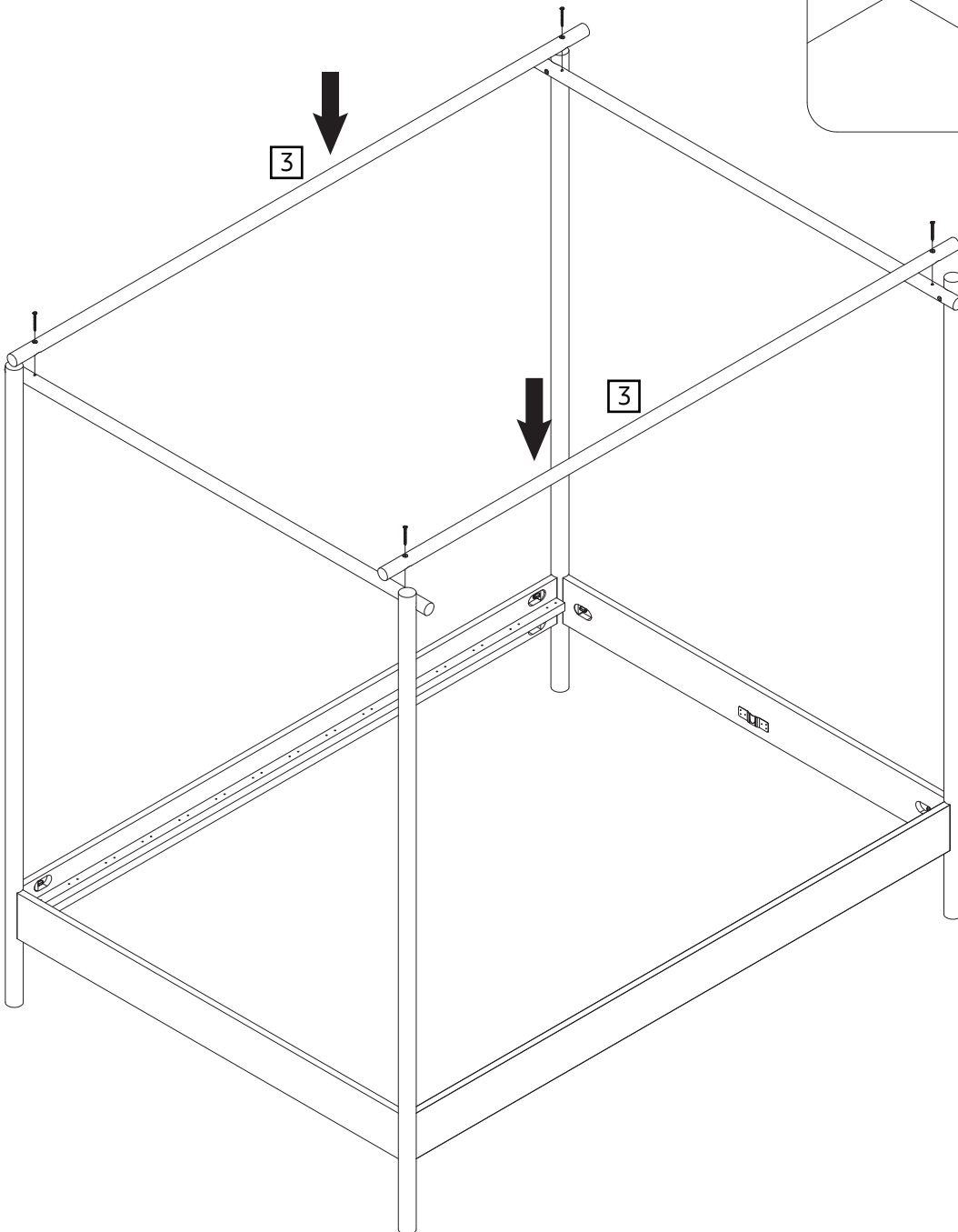
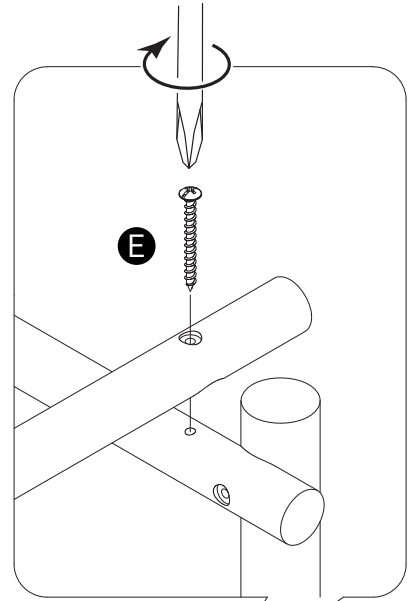
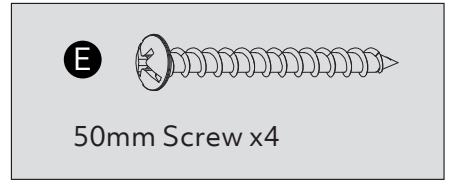
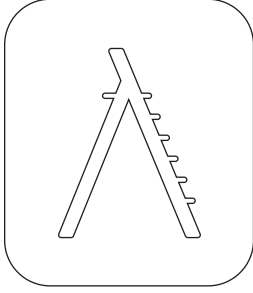


# 5




## Please Note!

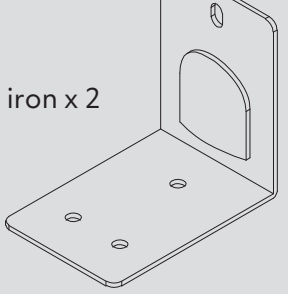
Ensure at least two people when assemble the product.

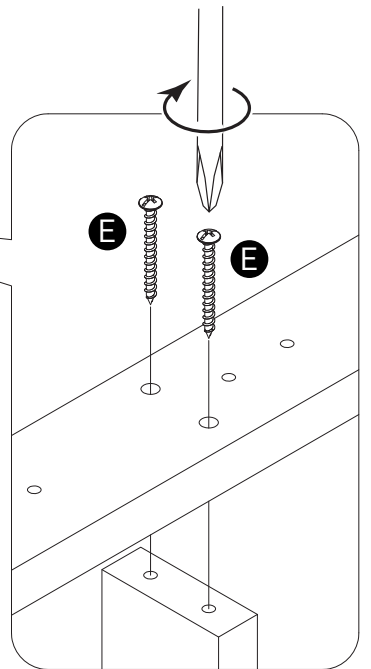
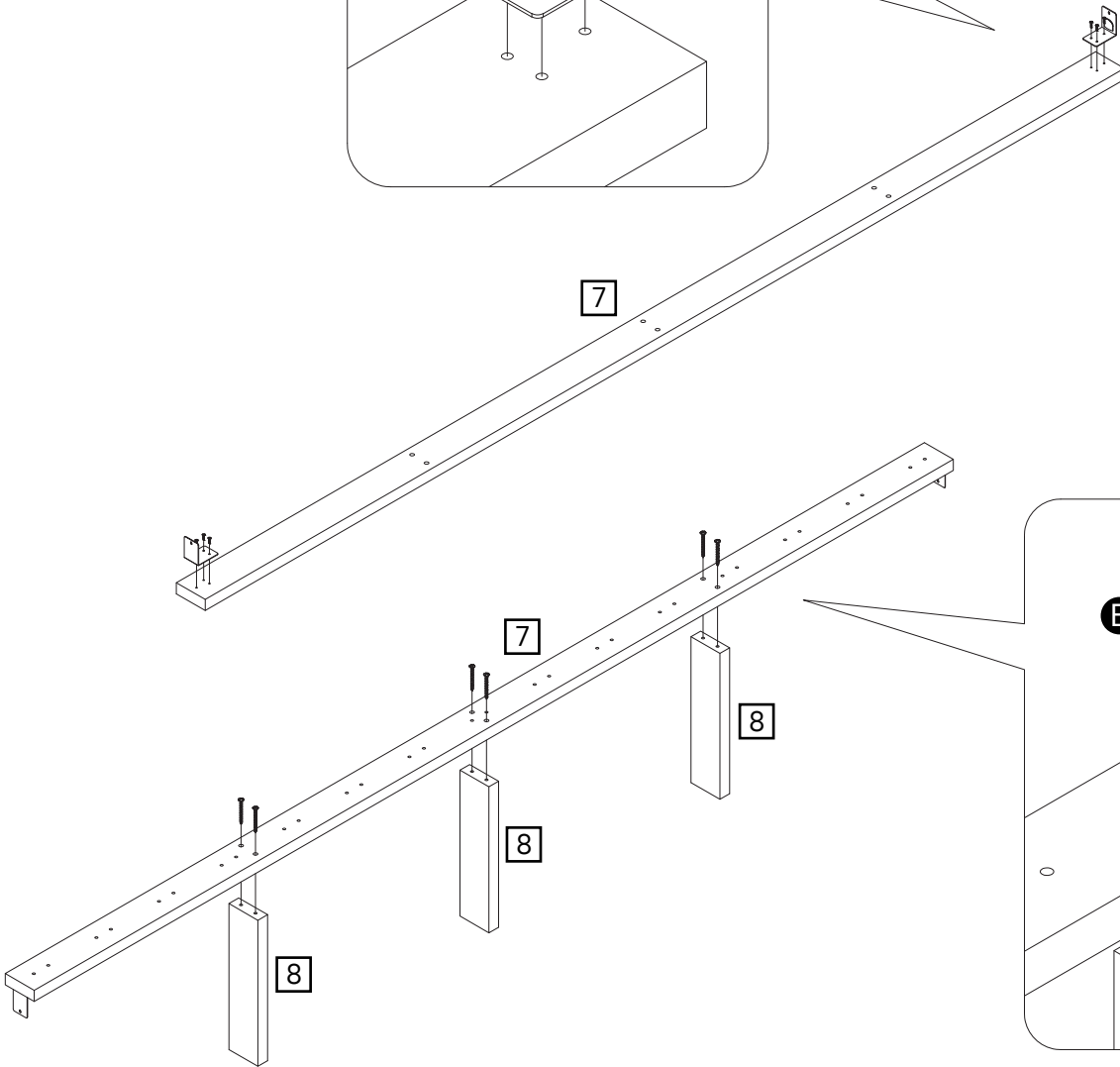
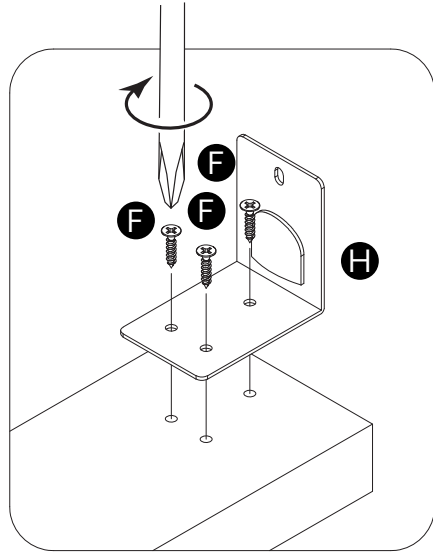


# 6

**E**   
50mm Screw x6

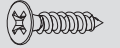
**F**   
15mm Screw x6

**H**   
Angle iron x 2

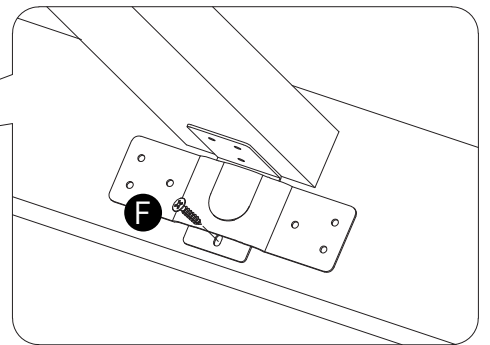
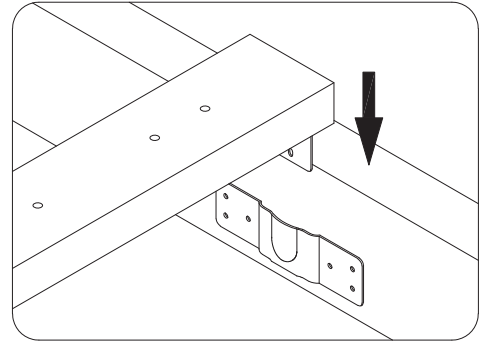
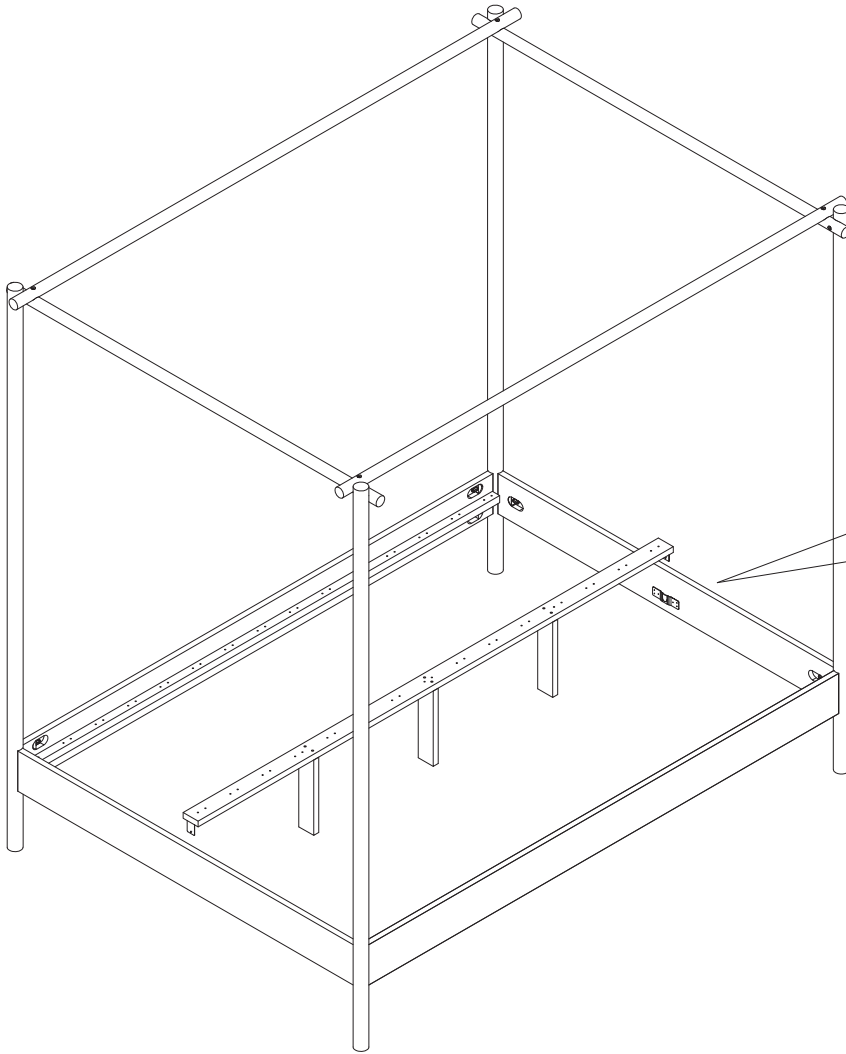


# 7

F

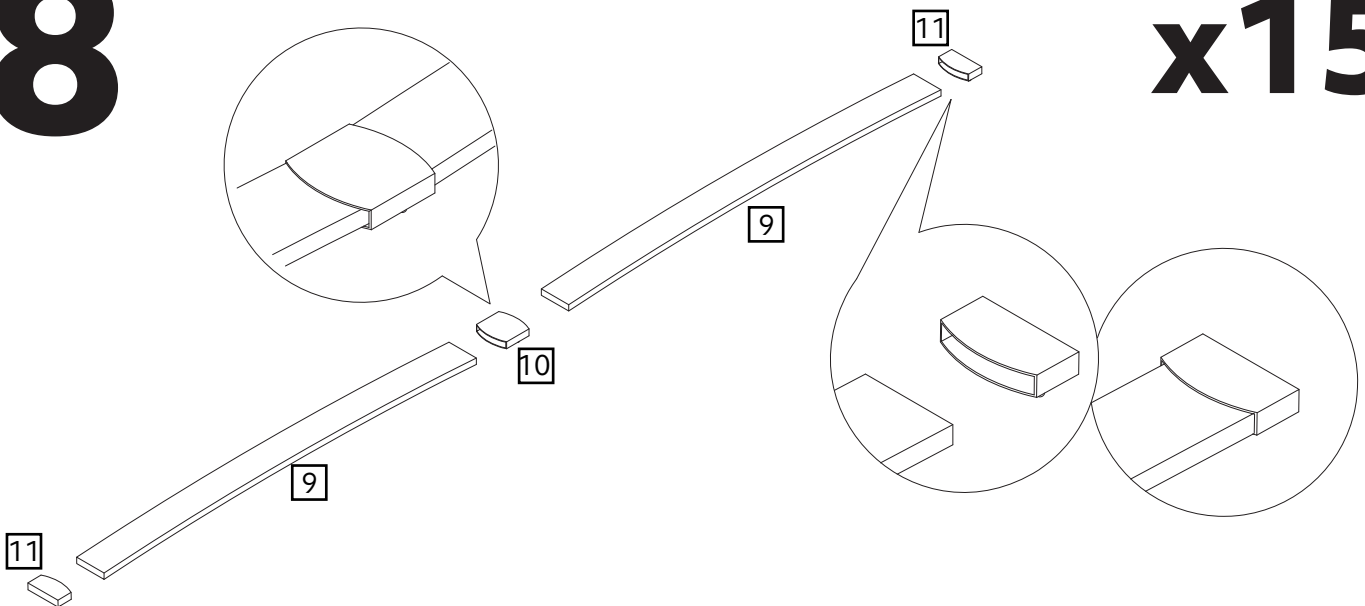


15mm Screw x2

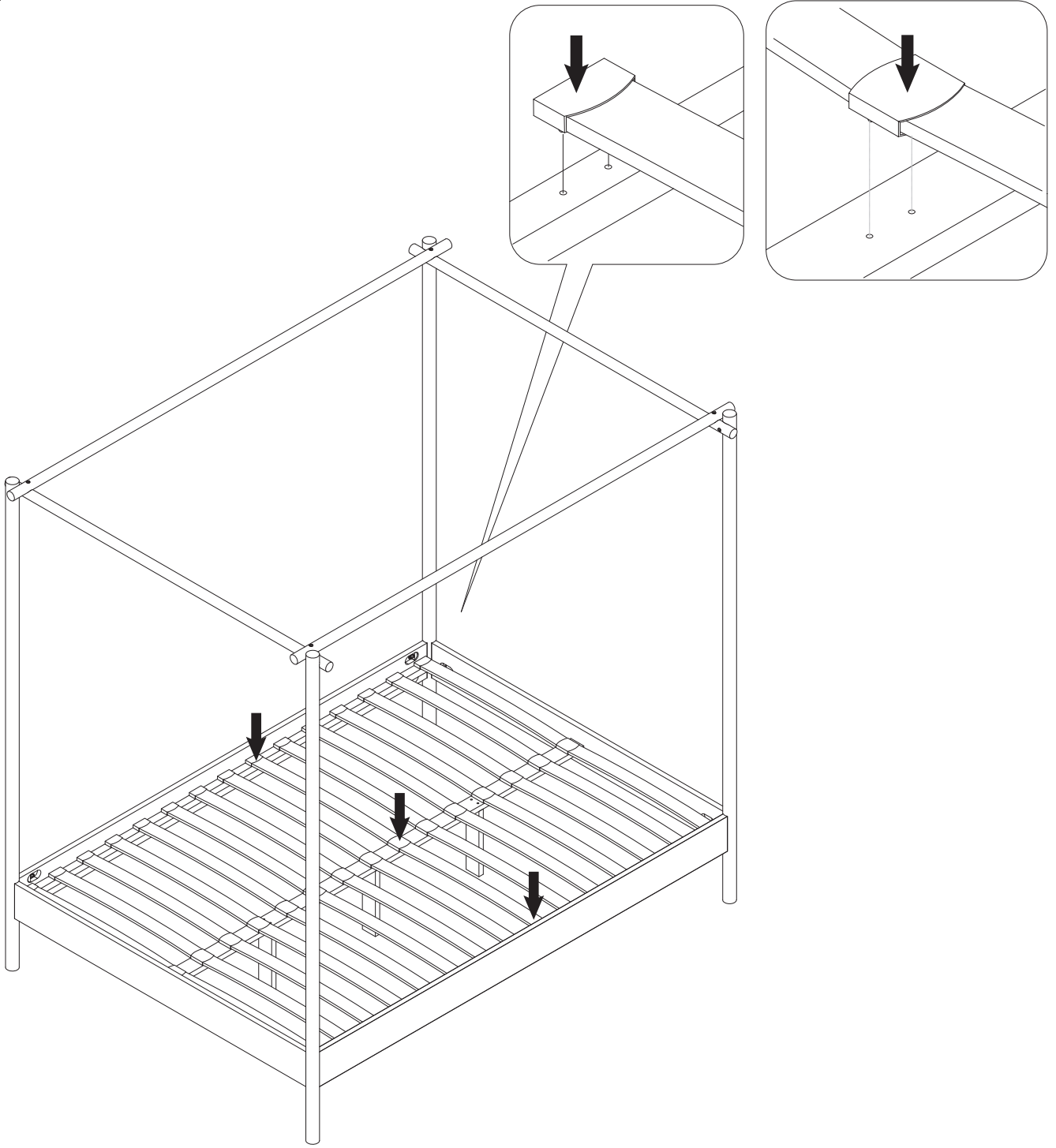


# 8

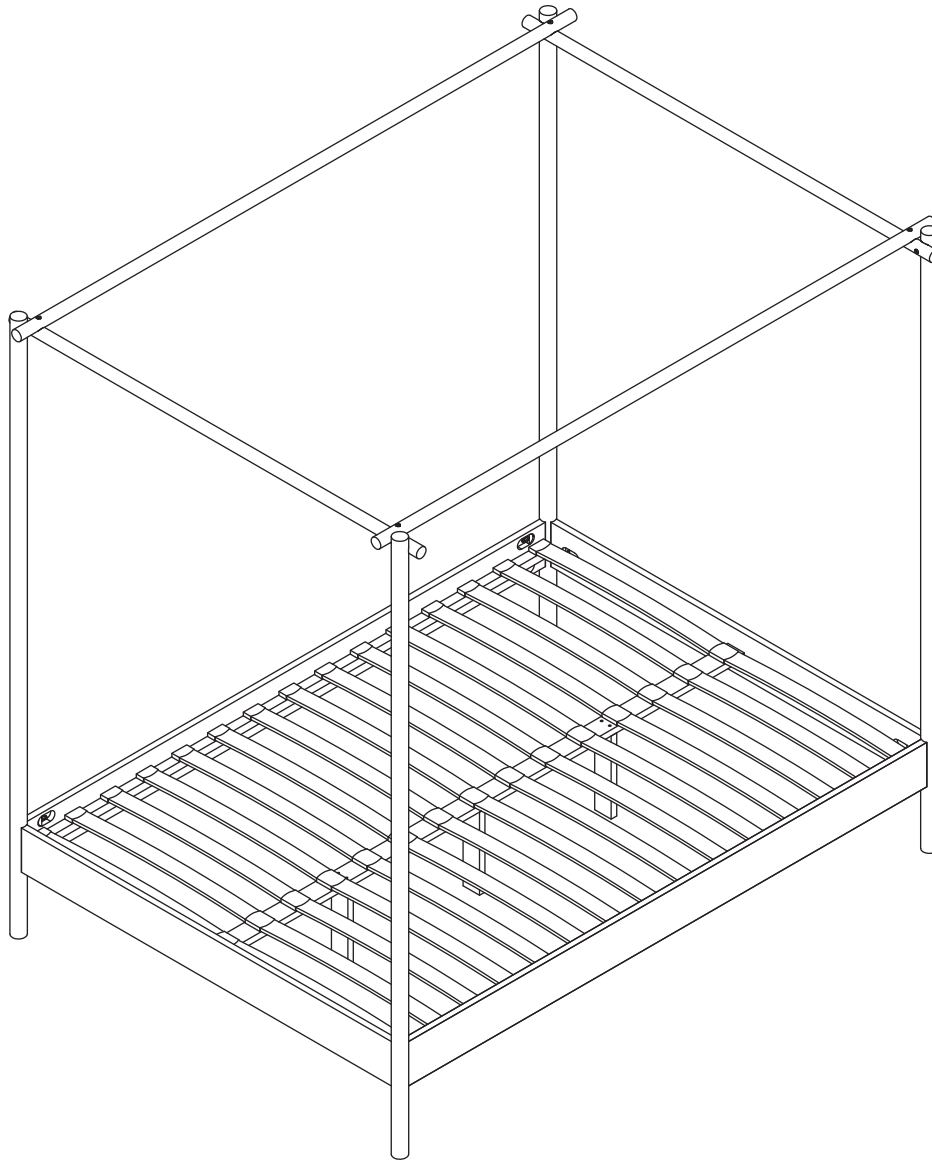
x15



# 9



# 10



Assembly is complete.