

KFN 4795 DD

Freestanding fridge-freezer

with DailyFresh, NoFrost, DynaCool and added convenience.



- Spacious drawer with moisture control – DailyFresh
- No icing up of food and no need to defrost thanks to NoFrost
- Uniform temperature distribution inside the appliance – DynaCool
- Two separate air circuits for optimum cooling – DuplexCool
- Soft closing of the door with SoftClose



EAN: 4002516516644 / Material number: 11951810 / Old Material Number: 38479543EU1

<b>Appliance category</b>	
Fridge-freezer	•
<b>Construction type</b>	
Freestanding appliance	•
Door hinge	right
Convertible door hinging	•
<b>Design</b>	
Casing colour	black
<b>User convenience</b>	
Networking with Miele@home	•
ComfortClean	•
DynaCool	•
NoFrost	•
DuplexCool	•
XL interior	•
VarioRoom	•
SoftClose	•
<b>Controls</b>	
Operating concept	SensorTouch
Precise adjustment	Kühl- und Gefrier temperatur
Fridge compartment can be switched off	Yes
Independent temperature regulation of fridge and freezer zones	Yes
Automatic SuperCool	•
SuperFreeze	•
No. of temperature zones	2
Sabbath mode	•
Party mode	•
Holiday mode	•
<b>Fridge/Fridge section</b>	
No. of shelves	5
of which dividable (FlexiBoard)	1
Chrome-plated metal bottle rack	•
No. of crisper drawers	1
Number of inner door racks for tinned food	3
Door rack for bottles	1
Door shelves	4
<b>Efficiency and sustainability</b>	
Energy efficiency class (A–G)	D
Annual energy consumption in kWh	202.60
Energy consumption in 24 h in kWh	0.55
<b>Safety</b>	
Lock function	•
Acoustic door alarm	•
Acoustic temperature alarm	•
Optical door alarm	•
Optical temperature alarm	•
Power cut indication for freezer section	•
<b>Technical data</b>	
Niche depth in mm	550

KFN 4795 DD

Freestanding fridge-freezer

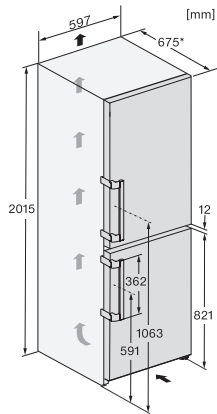
with DailyFresh, NoFrost, DynaCool and added convenience.



EAN: 4002516516644 / Material number: 11951810 / Old Material Number: 38479543EU1

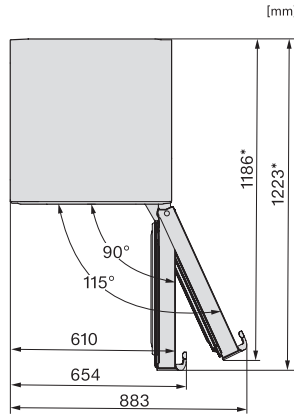
Appliance width in mm	600
Appliance height in mm	2010
Appliance depth in mm	675
Weight in kg	76.6
Climate class	SN-T
Refrigerator compartment in l	270
4* freezer compartment in l	103
Total usable capacity in l	372
Storage time in case of fault in h	20
Freezer capacity in kg/24 h	10.00
Noise class (A-D)	B
Sound power in dB(A) re 1 pW	35
Current consumption (mA)	1400
Voltage in V	220-240
Fuse rating in A	10
Number of phases	1
Frequency in Hz	50-60
Length of supply lead in m	2.0
Replacing lamps	Customer Service
<b>Accessories supplied</b>	
Egg tray	•
Ice cube tray	•

## KFN 4795 DD Freestanding fridge-freezer with DailyFresh, NoFrost, DynaCool and added convenience.



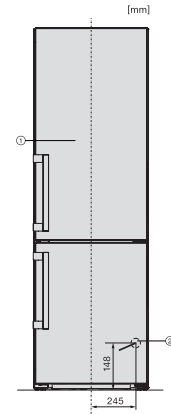
KFN4797DD, KFN4797CD, KFN4799DDE, KFN4795DD, installation sketch (footnote\*) (installation drawings)

\*To achieve the declared energy consumption, the spacers supplied with the unit must be used. This increases the depth of the unit by approx. 15 mm. The unit is fully functional without the use of the spacers, but has a slightly higher energy consumption.



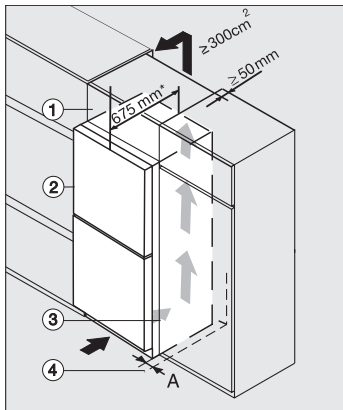
KFN4777CD, KFN4797DD, KFN4797CD, KFN4799DDE, KFN4795DD, top view (footnote\*) (installation drawings)

\*To achieve the declared energy consumption, the spacers supplied with the unit must be used. This increases the depth of the unit by approx. 15 mm. The unit is fully functional without the use of the spacers, but has a slightly higher energy consumption.



KFN4797DD, KFN4797CD, KFN4795DD, installation (footnote\*) (installation drawings)

\*1. View from the front, 2. Mains connection cable, L = 2000 mm



Integrating freestanding refrigeration appliance in a run of kitchen units, edt/cs, ws, bst, el (\*footnote)

1. Top box, 2. Refrigeration appliance, door depth = 75 mm, 3. Housing unit, 4. Wall, A = 25 mm (with recessed grip)/60 mm (with handle), \* The appliance depth is increased by approx. 15 mm for refrigeration appliances with wall spacers fitted.