

## G 5110 SC Active

Freestanding dishwashers

in tried-and-tested Miele quality at an affordable entry-level price.



- Perfect results in less than one hour – QuickPowerWash
- Save up to 50 % more electricity – hot water connection
- Versatile and secure – comfort basket design
- Very easy door opening and closing – ComfortClose
- Maximum versatility – Height-adjustable upper basket



EAN: 4002516610106 / Material number: 12153210 / Old Material Number: 21511016GB

|   |                           |
|---|---------------------------|
| <b>Construction type</b>  |                           |
| Freestanding dishwasher   | •                         |
| 60 cm dishwasher  | •                         |
| <b>Design</b>   |                           |
| Control panel colour  | Brilliant White           |
| Control panel version   | Straight fascia           |
| Control type  | Programme selector button |
| Display   | 3-digit 7-segment display |
| Display colour  | Yellow                    |
| <b>Convenience</b>  |                           |
| Door closing aid  | ComfortClose              |
| Time left display   | •                         |
| Delay start up to 24 hours  | •                         |
| In-operation indicator light  | acoustic                  |
| <b>Efficiency and sustainability</b>                                      |                           |
| Energy efficiency class (A–G)   | D                         |
| Water consumption in the Automatic programme in l from                    | 6.0                       |
| Water consumption of the ECO programme in litres per programme cycle      | 8.5                       |
| Electricity consumption in the ECO programme in kWh                       | 0.84                      |
| Energy consumption of the ECO programme in kWh after 100 programme cycles | 84                        |
| Consumption value in kWh in the ECO programme with hot water connection   | 0.57                      |
| Duration of ECO programme in minutes                                      | 265                       |
| Noise emission class  | C                         |
| Noise emissions in dB(A)  | 45                        |
| EcoPower Technology   | •                         |
| Proven hygiene  | •                         |
| Hot water connection  | •                         |
| <b>Quality of results</b>   |                           |
| Fresh water dishwasher  | •                         |
| <b>Wash programmes</b>  |                           |
| QuickPowerWash  | •                         |
| ECO   | •                         |
| Automatic   | •                         |
| Intensive 75 °C   | •                         |
| Gentle  | •                         |
| <b>Dishwashing options</b>  |                           |
| Express   | •                         |
| Extra Clean   | •                         |
| Extra dry   | •                         |
| <b>Basket design</b>  |                           |
| Cutlery loading   | Cutlery tray              |
| FlexCare cup rack   | 1                         |
| Basket design   | Comfort 60 cm             |
| Number of place settings  | 14                        |
| <b>Safety</b>   |                           |
| Waterproof system   | •                         |
| Safety lock   | •                         |

## G 5110 SC Active

Freestanding dishwashers

in tried-and-tested Miele quality at an affordable entry-level price.



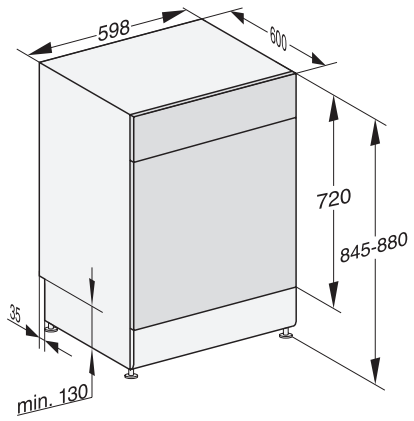
EAN: 4002516610106 / Material number: 12153210 / Old Material Number: 21511016GB

| Technical data                  |       |
|---------------------------------|-------|
| Niche width minimal in mm       | 600   |
| Niche width max in mm           | 600   |
| Niche height minimal in mm      | 845   |
| Niche height maximal in mm      | 880   |
| Niche depth in mm               | 600   |
| Appliance width in mm           | 598   |
| Appliance height in mm          | 845   |
| Appliance depth in mm           | 600   |
| Depth with door open in cm      | 119.5 |
| Net weight in kg                | 53.5  |
| Total rated load in kW          | 2.00  |
| Voltage in V                    | 230   |
| Fuse rating in A                | 10    |
| Number of phases                | 1     |
| Electrical frequency standard   | 50    |
| Length of water inlet hose in m | 1.50  |
| Length of water drain hose in m | 1.50  |
| Length of supply lead in m      | 1.80  |

## G 5110 SC Active

Freestanding dishwashers

in tried-and-tested Miele quality at an affordable entry-level price.



G7000, free standing dishwasher, 60cm (installation drawing)