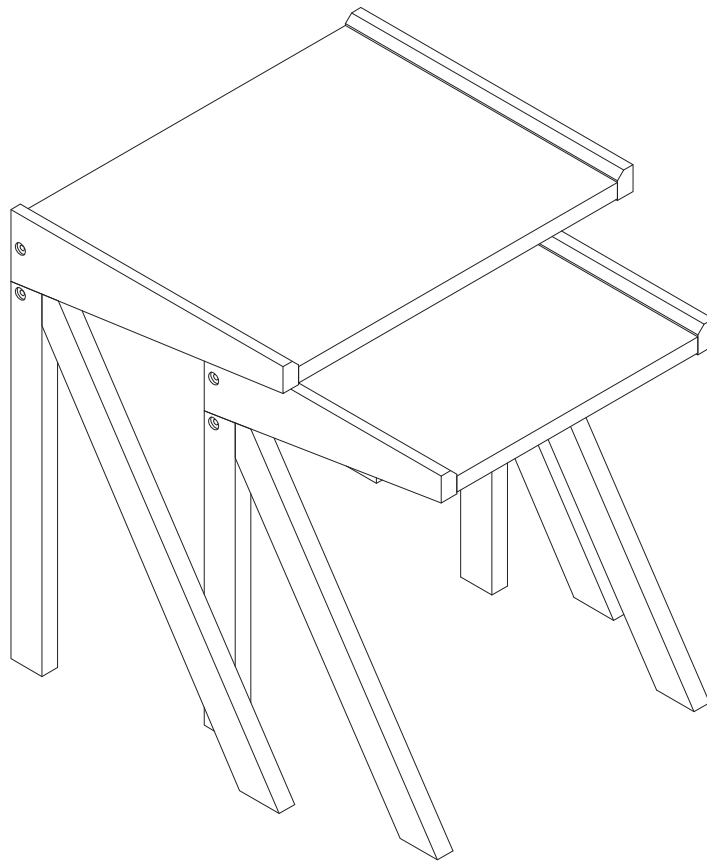


Annie

 habitat

Nesting Tables




Spare Parts

 www.argos-support.co.uk

 Help@ClickSpares.co.uk

 0370 112 1928

Customer Support

 0345 640 2020



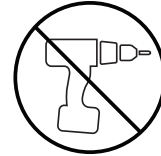
Safety and Care Advice

Product Details

Annie Nesting Tables / 3347296

IMPORTANT, RETAIN FOR FUTURE REFERENCE: READ CAREFULLY.

- Keep children and animals away from the work area, small parts could choke if swallowed.
- Assemble the item as close to its final position (in the same room) as possible.
- Assemble on a soft level surface to avoid damaging the unit or your floor.
- We do not recommend the use of power drill/drivers for inserting screws as this could damage the unit. Only use hand screwdrivers.
- Make sure you have enough space to layout the parts before starting.
- Parts of the assembly will be easier with 2 people.
- This product has been constructed to be used in the domestic environment only and not for commercial purposes.
- Dispose of all packaging carefully and responsibly.



Care and maintenance

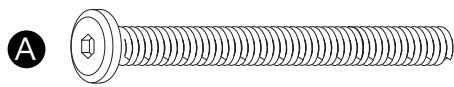
- Only clean using a damp cloth and mild detergent. Do not use abrasive cleaners.
- From time to time check that there are no loose screws, nuts or bolts. If there are please re-tighten.
- Use a dry cloth to clean the product, furniture polish is not recommended.
- This product should not be discarded with household waste. Take to your local authority waste disposal centre.

Additional Guidance

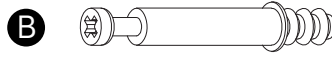
- Assemble all parts and bolts loosely during assembly, only once the product is complete should you fully tighten the bolts.
- Regularly check and ensure that all bolts and fittings are tightened properly.
- Maximum loading weight 30kg
- This product is compliant EN12521

Fittings (Shown to scale)

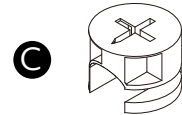
Bag 1



A M6x60mm Bolt x 8



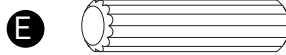
B 43mm Metal Dowel x10



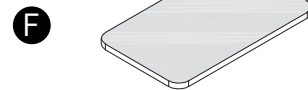
C Locking Nut x10



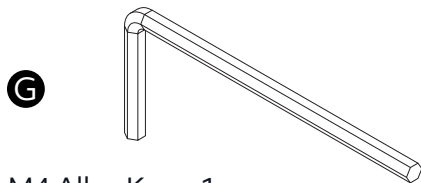
D Ø10x12mm Nut x 8



E Ø8x30mm Wooden Dowel x 12

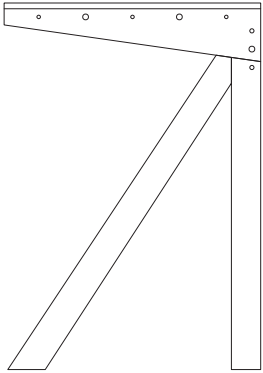


F 38x20mm Felt pad x 8

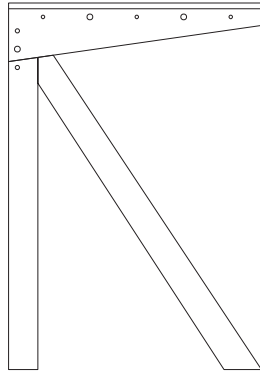


G M4 Alley Key x 1

Panels



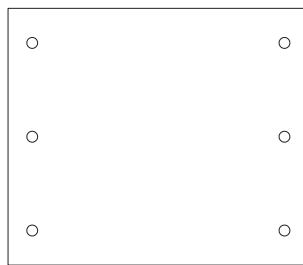
1 Left Leg Frame x1
(500 x 350mm)



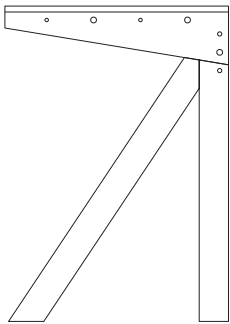
2 Right Leg Frame x1
(500 x 350mm)



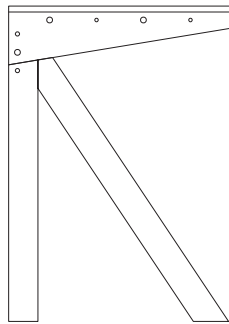
3 Back Panel x1
(410 x 70mm)



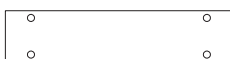
4 Top Panel x1
(410 x 350mm)



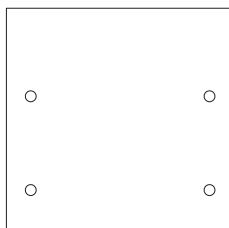
5 Left Leg Frame x1
(430 x 305mm)



6 Right Leg Frame x1
(430 x 305mm)

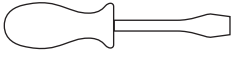


7 Back Panel x1
(310 x 70mm)



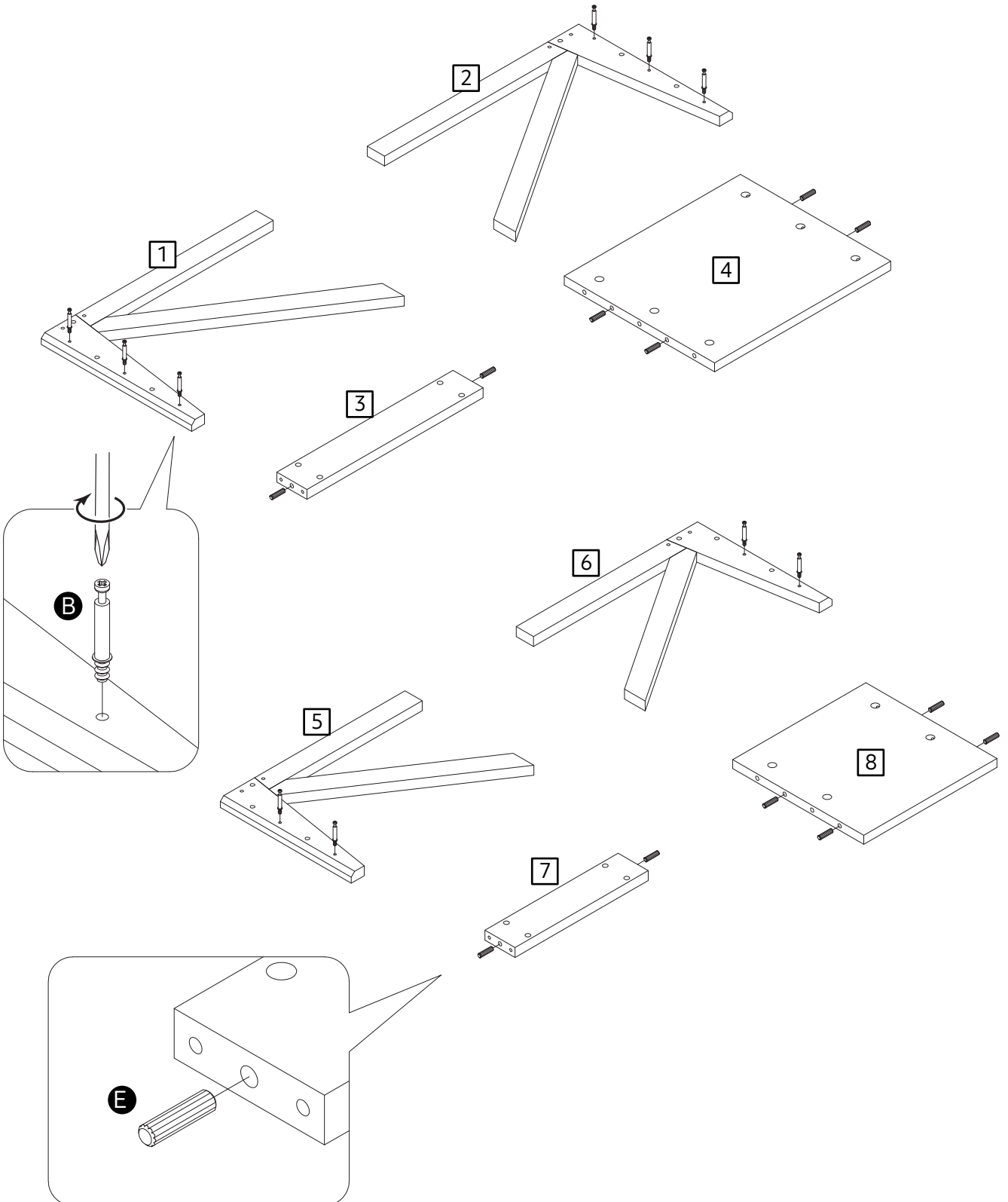
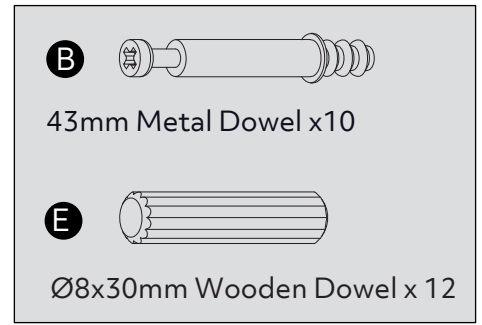
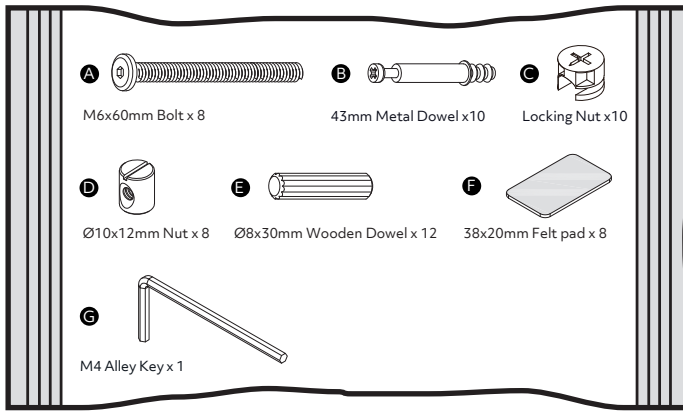
8 Top Panel x1
(310 x 305mm)

Tools required


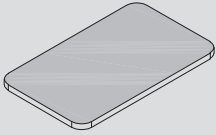


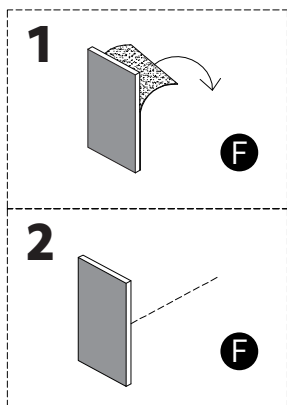
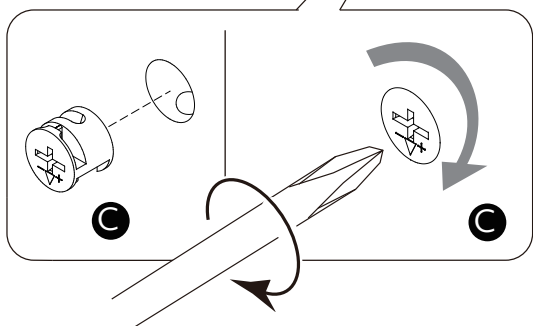
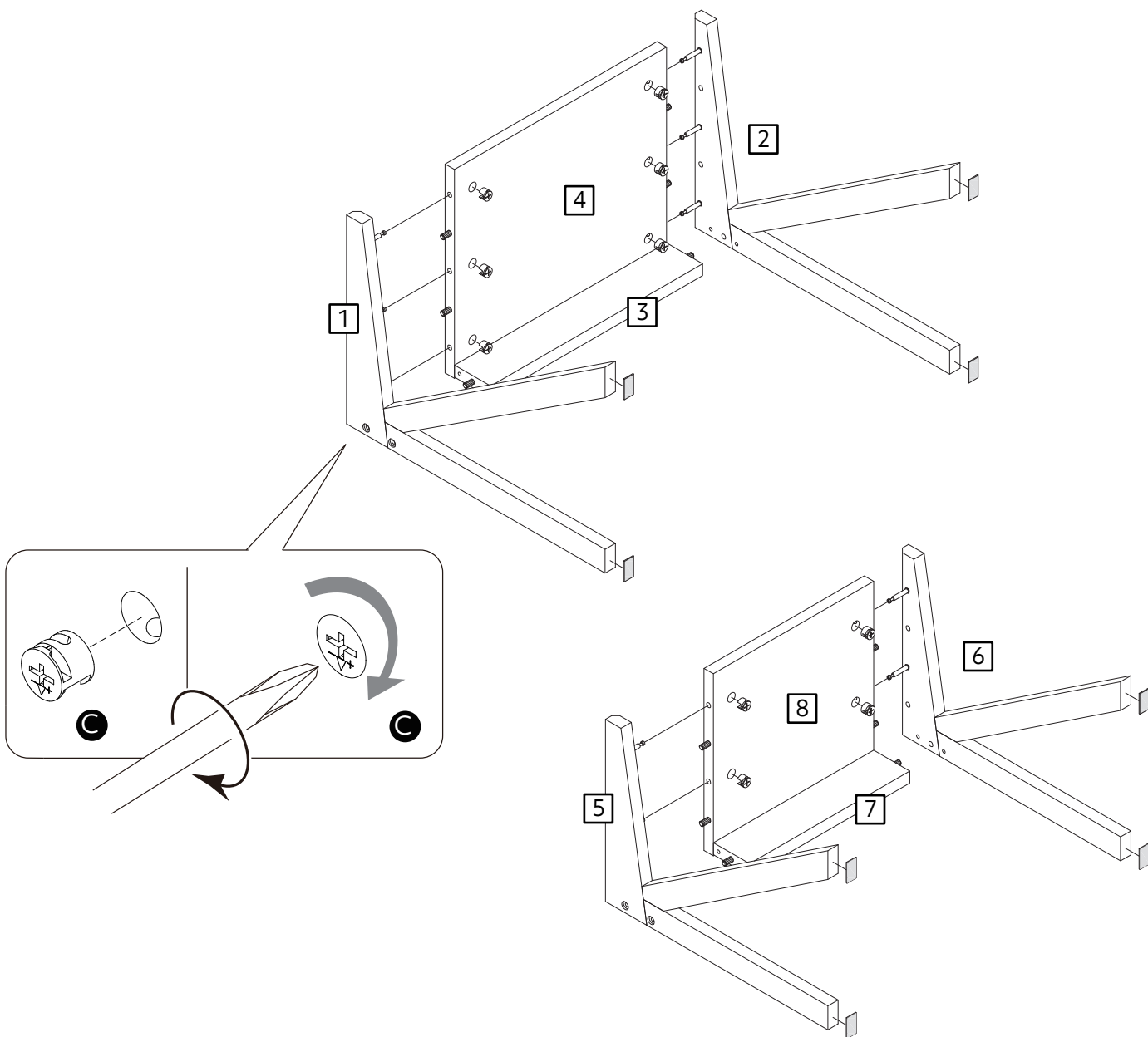
Phillips screwdriver
(small & medium)

1



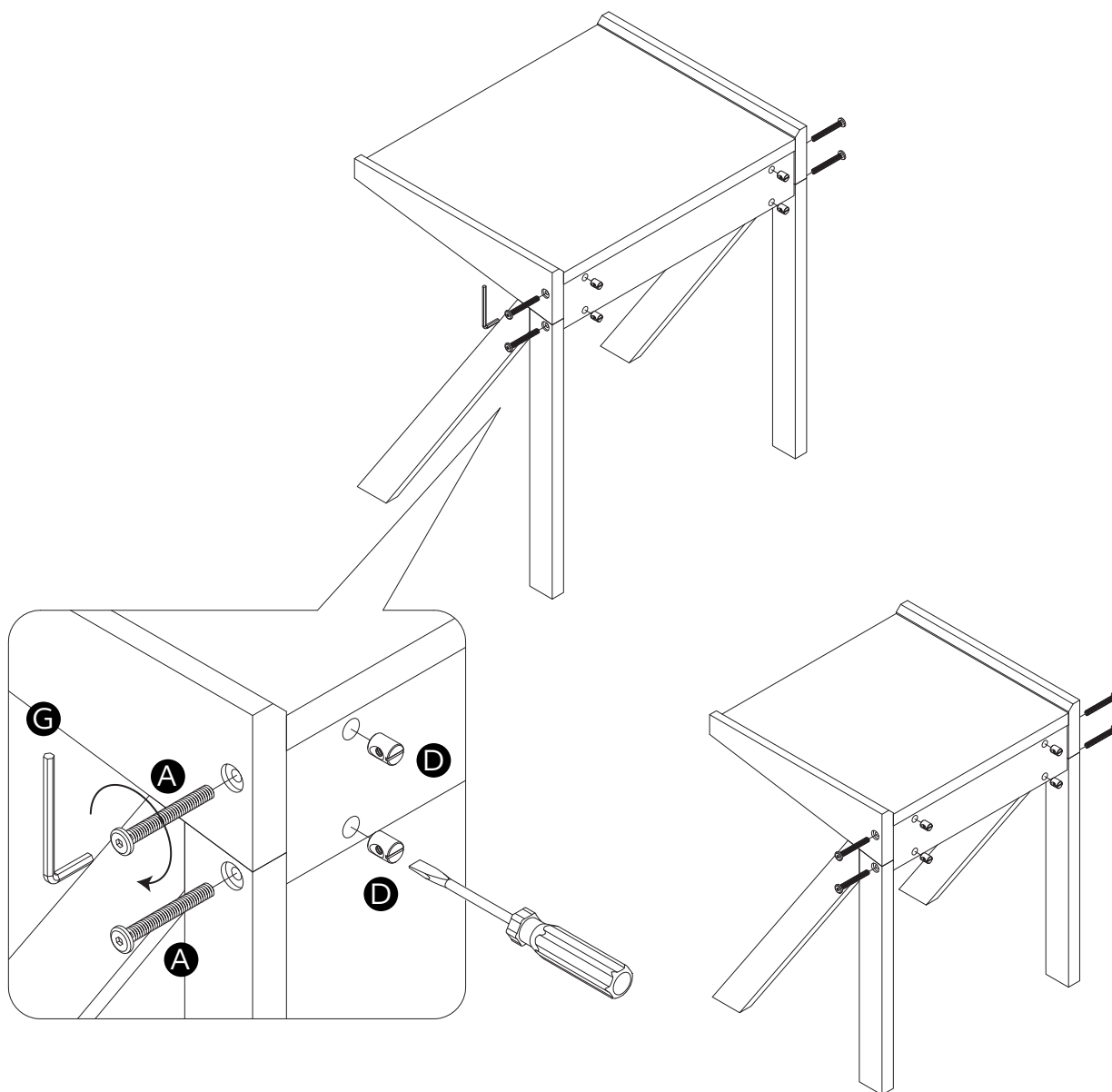
2

C 	F 
Locking Nut x 10	38x20mm Felt pad x 8

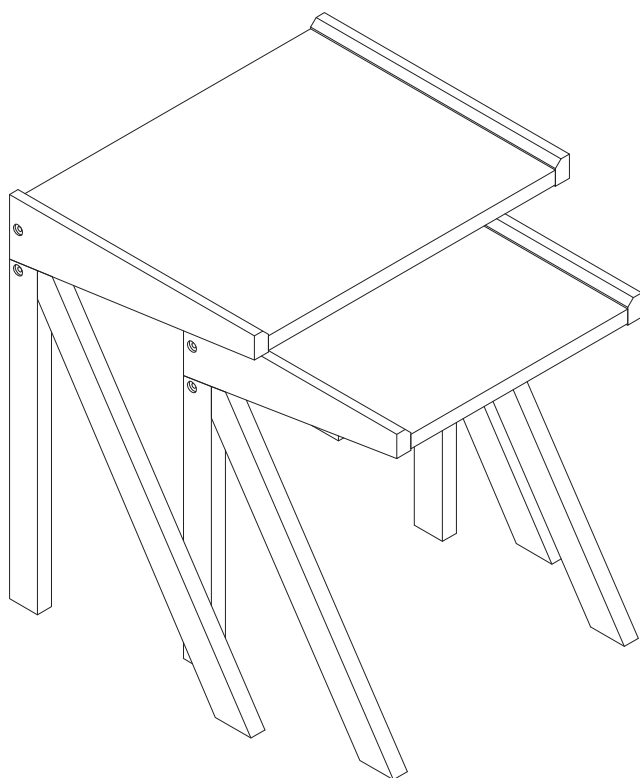


F x4

3



4



Assembly is complete.