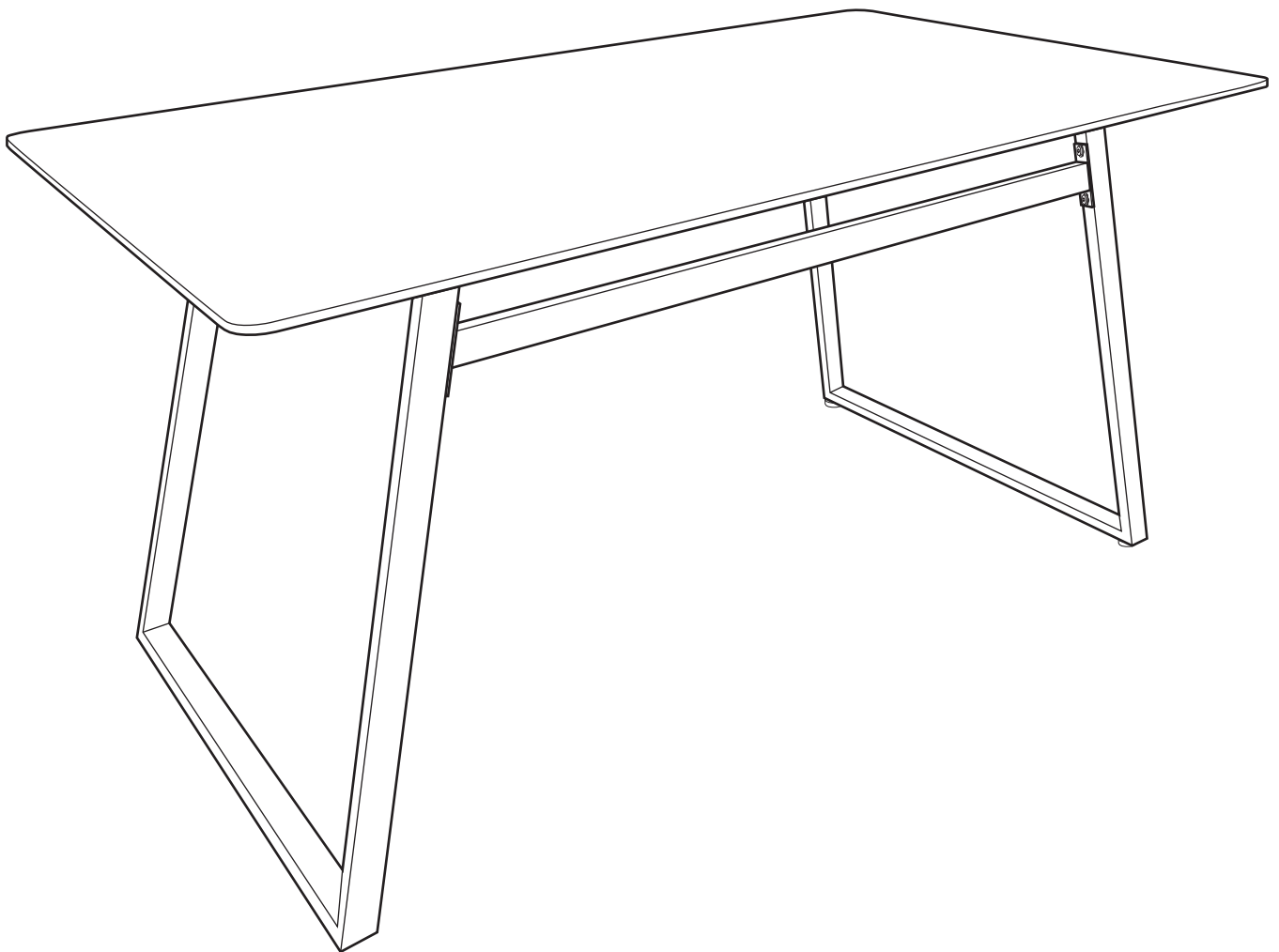


# Milo




## Spare Parts

 [www.argos-support.co.uk](http://www.argos-support.co.uk)

 [Help@ClickSpares.co.uk](mailto:Help@ClickSpares.co.uk)

 0370 112 1928

## Customer Support

 0345 640 2020



# Safety and Care Advice

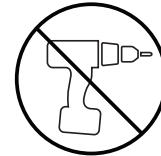
---

## Product Details

3341340 – Milo Luxe Dining Table

## IMPORTANT, RETAIN FOR FUTURE REFERENCE: READ CAREFULLY.

- Keep children and animals away from the work area, small parts could choke if swallowed.
- Make sure you have enough space to layout the parts before starting.
- This product has been constructed to be used in the domestic environment only and not for commercial purposes.
- Assemble the item as close to its final position (in the same room) as possible.
- Assemble on a soft level surface to avoid damaging the unit or your floor.
- We do not recommend the use of power drill/drivers for inserting screws as this could damage the unit. Only use hand screwdrivers.
- Parts of the assembly will be easier with 2 people.
- Dispose of all packaging carefully and responsibly.



## Care and maintenance

---

- Only clean using a damp cloth and mild detergent. Do not use abrasive cleaners.
- Use a dry cloth to clean the product, furniture polish is not recommended.
- From time to time check that there are no loose screws, nuts or bolts. If there are please re-tighten.
- This product should not be discarded with household waste. Take to your local authority waste disposal centre.

## Additional Guidance

---

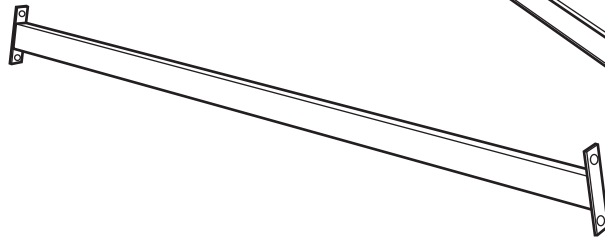
- Assemble all parts and bolts loosely during assembly, only once the product is complete should you fully tighten the bolts.
- Regularly check and ensure that all bolts and fittings are tightend properly.
- Maximum user weight 110kg.
- This product is compliant BS EN 12521 : 2015

# Parts

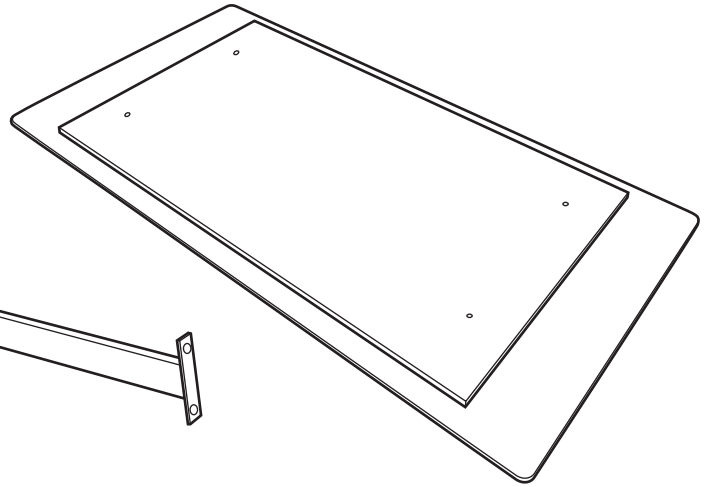
---



1 Table leg (x2)



2 Cross Bar (x2)

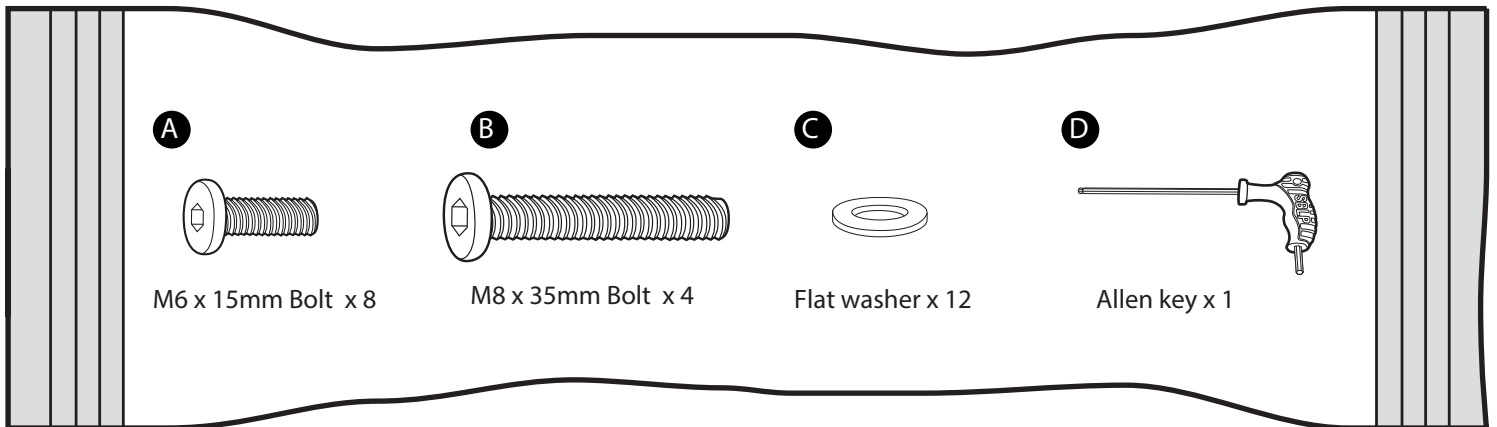


3 Table top

# Fittings (Shown to scale)

---

## Bag 1



M6 x 15mm Bolt x 8

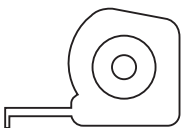
M8 x 35mm Bolt x 4

Flat washer x 12

Allen key x 1

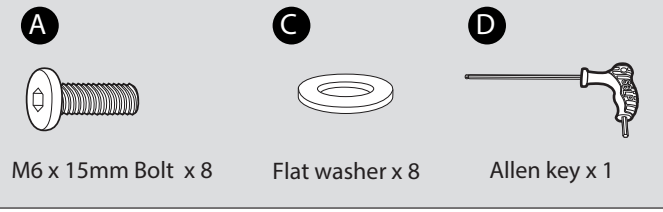
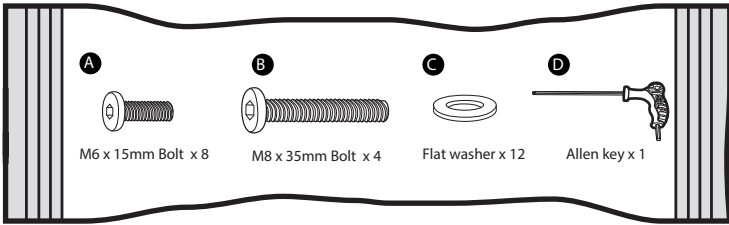
# Tools required

---

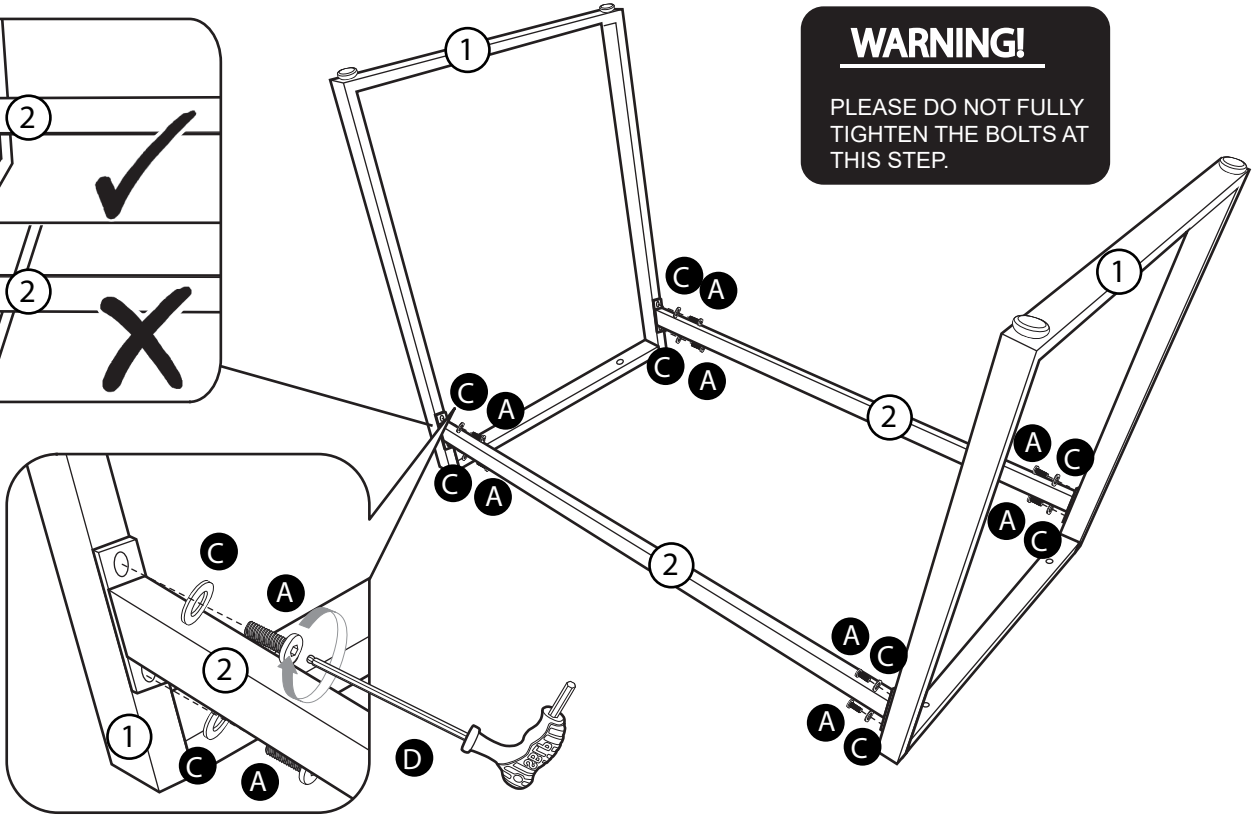
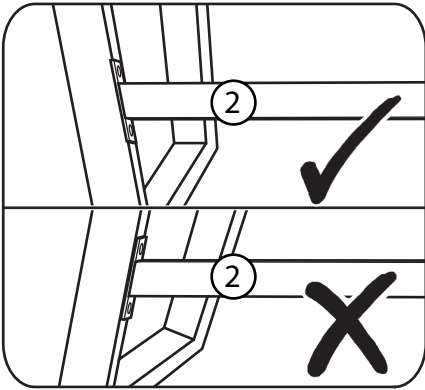


Ruler/tape  
measure

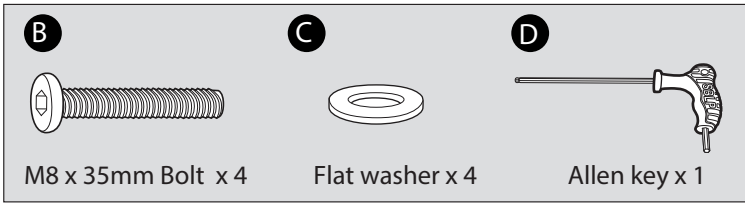
# 1



**WARNING!**  
PLEASE DO NOT FULLY  
TIGHTEN THE BOLTS AT  
THIS STEP.

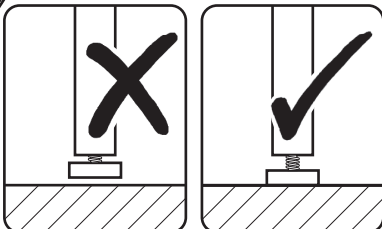
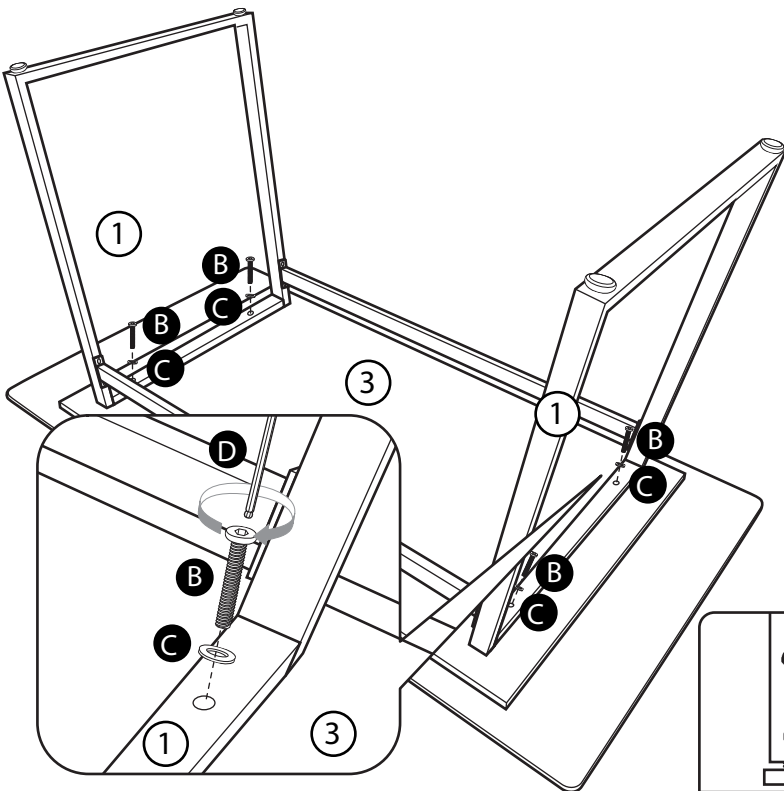


# 2



**WARNING!**  
PLEASE FULLY TIGHTEN  
ALL BOLT AT THIS STEP.

**Turn Product**



Assembly complete.