



Russell Hobbs



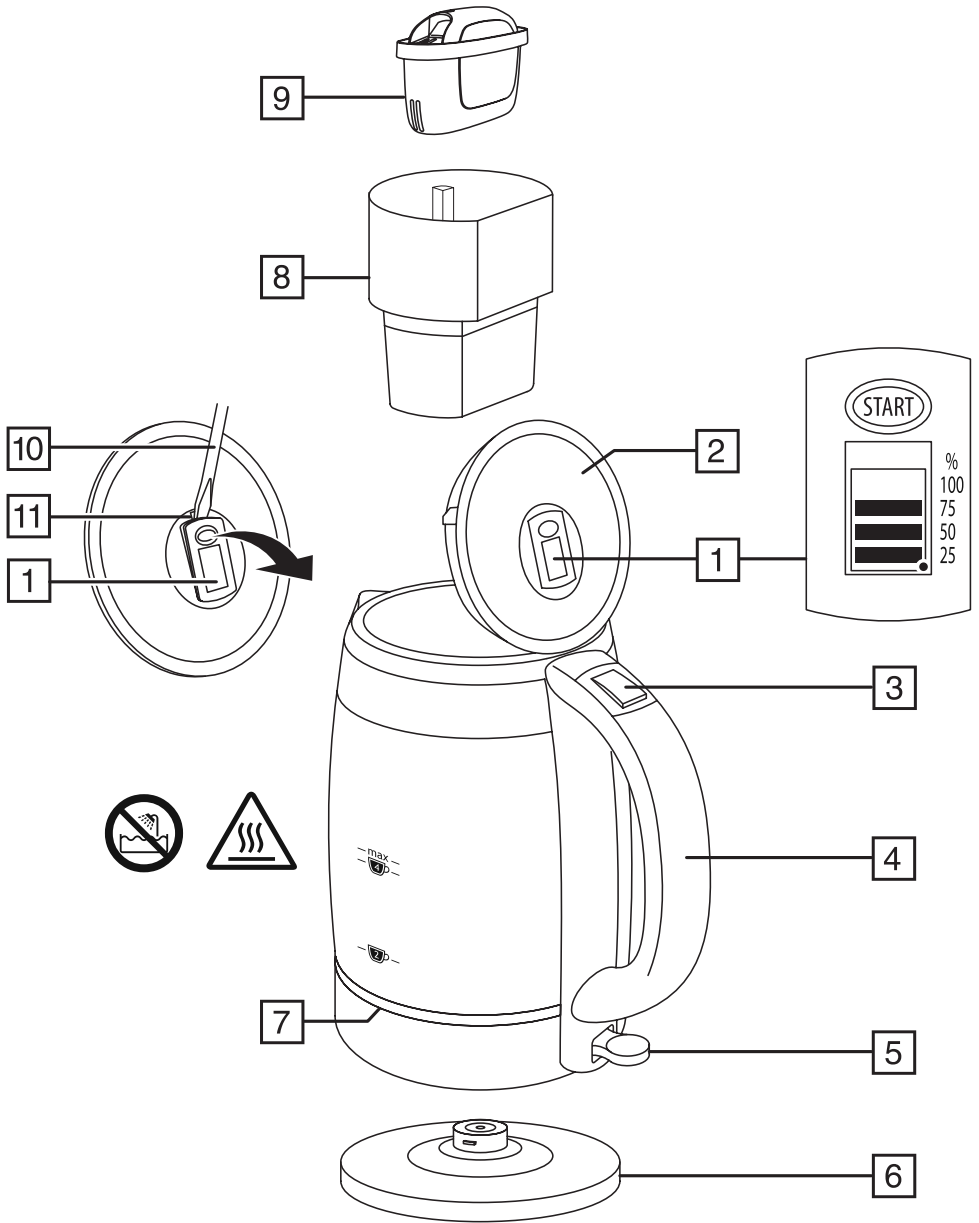
20760-10

 www.russellhobbs.com

£10,000 prize draw

EXTRA year guarantee FREE rewards gallery

www.russellhobbs.co.uk/productregister/ Register online now! See back for details



Read the instructions, keep them safe, pass them on if you pass the appliance on. Remove all packaging before use.


IMPORTANT SAFEGUARDS

Follow basic safety precautions, including:

This appliance can be used by children aged from 8 years and above and persons with reduced physical, sensory or mental capabilities or lack of experience and knowledge if they have been supervised/ instructed and understand the hazards involved. Children shall not play with the appliance.

Cleaning and user maintenance shall not be done by children unless they are older than 8 and supervised.

Keep the appliance and cable out of reach of children under 8 years.

 Parts of the appliance will get hot during use.

If you overfill, the kettle may spit boiling water.

Use the kettle only with the stand supplied (and vice versa).

If the cable is damaged, it must be replaced by the manufacturer, its service agent, or someone similarly qualified, to avoid hazard.

Avoid spillage on the stand/connector.

This appliance can be used by persons with reduced physical, sensory or mental capabilities or lack of experience and knowledge if they have been given supervision or instruction concerning use of the appliance in a safe way and understand the hazards involved.

This appliance is intended to be used in household and similar applications such as:

- staff kitchen areas in shops, offices and other working environments;
- by clients in hotels, motels and other residential type environments;
- bed and breakfast type environments;
- farm houses.
- ⊗ Do not use this appliance near bathtubs, showers, basins or other vessels containing water.
- Keep the kettle, stand, and cable away from the edges of worktops.
- Don't use the kettle for any purpose other than heating water.
- Use only BRITA® MAXTRA+ filter cartridges.
- Don't operate the appliance if it's damaged or malfunctions.

PARTS

- | | |
|-------------------------|------------------------------------|
| 1. BRITA® Memo | 7. Light |
| 2. Lid | 8. Funnel |
| 3. Lid release | 9. BRITA® MAXTRA+ filter cartridge |
| 4. Handle | 10. Screwdriver |
| 5. Switch (O off, I on) | 11. Notch |
| 6. Stand | |

BRITA® MAXTRA+ FILTER CARTRIDGE

You can find more information about BRITA® filter cartridges and the BRITA® Memo in the BRITA® Information Guide supplied with the kettle.

The filter cartridge contains ion exchange resin and activated carbon.

Reduces limescale and substances, eg. chlorine, that affect taste and odour.

For your wellbeing, reduces metals such as lead and copper that may be present in your water due to domestic plumbing.

Reducing the impurities makes the water look and taste better, and the reduction in limescale helps your kettle too.

Replacement cartridges are available in most supermarkets.

Remember – water is a food, it goes off. Use filtered water within one day.

PREPARING THE FILTER CARTRIDGE

1. Press the lid lock, to open the lid.
2. To remove a used filter cartridge, hold the funnel firmly with one hand, grip the top of the filter cartridge with the other hand, and pull the filter cartridge up and out.
3. Remove all packaging from the new filter cartridge.
4. Don't worry if the inside of the packaging is damp – it's just condensation.
5. There might be black carbon particles in the packaging or on the filter cartridge. Don't worry, they're harmless.
6. To ensure efficient operation, all air must be removed from the filter cartridge.
7. Submerge the filter cartridge in a bowl of cold water and shake it gently till no more bubbles are released
8. You may notice some black carbon particles floating in the water. Again, don't worry, they're harmless.
9. Before first use, you must flush the filter cartridge.
10. Push the filter cartridge into the funnel till it won't go any further.
11. Fill the funnel quickly.
12. Fill it again when it empties.
13. This should fill the kettle to about the max mark.
14. Discard the water, and repeat the operation.
15. When you've discarded two lots of water, the filter cartridge is ready for use.

RESET THE BRITA® MEMO

This shows what proportion of the filter cartridge's 4 week life is left.

1. Press and hold the START button till all 4 bars appear and flash twice, then let go.
2. Every week, one bar will disappear.
3. When all 4 bars disappear, a flashing arrow will appear at the top of the display. This means it's time to replace the filter cartridge.

4. When the display gets down to one bar, it's a good idea to check that you've got another filter cartridge available. If you haven't, it's time to buy some.
5. The flashing dot at the bottom right of the display shows that the Memo is working.

FILLING

1. Press the lid lock, to open the lid.
2. Fill with at least 2 cups of water, but not above max.
3. If you overfill, the kettle may spit boiling water.
4. Fill the funnel quickly.
5. Fill it again when it empties.
6. This should fill the kettle to about the max mark
7. If the water level is above the max mark, pour some water out of the kettle.
8. Close the lid, and press down to lock it.

USING YOUR KETTLE

1. Put the stand on a stable, level surface.
2. Plug the stand into the wall socket.
3. Put the kettle on the stand.
4. Move the switch to **I**.
5. The light will come on. The kettle will start to heat.
6. When the water boils the kettle will switch off.
7. To switch off manually, move the switch to **O**, or simply lift the kettle off the stand.

GENERAL

Note: When you lift your kettle, you may see moisture on the stand. This is normal and is caused by the steam used to switch your kettle off automatically.

BOIL DRY PROTECTION

If your kettle boils dry, a safety cut-out device will automatically switch it off. If this happens, unplug your kettle and allow it to cool down until the cut-out resets itself. Allowing your kettle to boil dry will shorten the life of the element.

CARE AND MAINTENANCE

1. Unplug the stand, and let the kettle cool before cleaning.
2. Wipe all surfaces with a clean damp cloth.
3. Keep the connectors dry.

To remove the funnel:

1. Hold the handle with one hand.
2. Open the lid and put your fingers inside the kettle (under the lid hinge).
3. Pull upwards and lift the rim and lid assembly off the kettle.
4. Lift the funnel out of the kettle.
5. Wipe the surfaces of the funnel with a clean, damp cloth. Don't wipe the filter cartridge.
6. Replace the funnel and filter cartridge.
7. The flat area of the funnel should face the handle.
8. To replace the rim and lid assembly, fit the latch under the top of the handle then press the front of the rim down to lock the clips into the kettle.

Holidays

If you haven't used the kettle for a few days:

- Empty the kettle and rinse it out.
- Flush the filter cartridge (follow steps 11-15 under PREPARING THE FILTER CARTRIDGE).

DISPOSAL

The appliance contains a battery, which must be removed from the appliance, and recycled, or disposed of in an environmentally friendly way.

Put the end of a screwdriver in the notch above the Memo, and prise it out of the lid.

Your local authority will have arrangements for recycling or disposing of the BRITA® Memo.

FURTHER INFORMATION

You can find more information about BRITA® filter cartridges and the BRITA® Memo in the BRITA® Information Guide supplied with the kettle.

RECYCLING



To avoid environmental and health problems due to hazardous substances, appliances and rechargeable and non-rechargeable batteries marked with one of these symbols must not be disposed of with unsorted municipal waste. Always dispose of electrical and electronic products and, where applicable, rechargeable and non-rechargeable batteries, at an appropriate official recycling/collection point.

SERVICE

If you ring Customer Service, please have the model number to hand, as we won't be able to help you without it. It's on the rating plate (usually underneath the product).

The product isn't user-serviceable. If it's not working, read the instructions, check the plug fuse and main fuse/circuit breaker. If it's still not working, consult your retailer.

If that doesn't solve the problem – ring Customer Service – they may be able to offer technical advice.

If they advise you to return the product to us, pack it carefully, include a note with your name, address, day phone number, and what's wrong. If under guarantee, say where and when purchased, and include proof of purchase (till receipt). Send it to:

Customer Service

Spectrum Brands (UK) Ltd

Fir Street, Failsworth, Manchester M35 0HS

email: support@russellhobbs.com

telephone: 0345 658 9700 (local rate number)

GUARANTEE

Defects affecting product functionality appearing within two years of first retail purchase will be corrected by replacement or repair provided the product is used and maintained in accordance with the instructions. Your statutory rights are not affected. Documentation, packaging, and product specifications may change without notice.

ONLINE

www.russellhobbs.com for more products

REGISTER ONLINE FOR –



£10,000 prize draw,

EXTRA year guarantee,

FREE rewards gallery

Visit www.russellhobbs.co.uk/productregister/

You must register within 28 days of purchase.