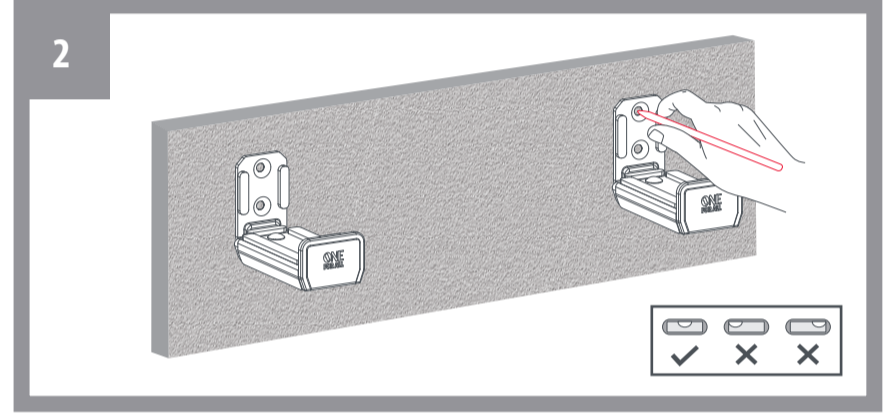
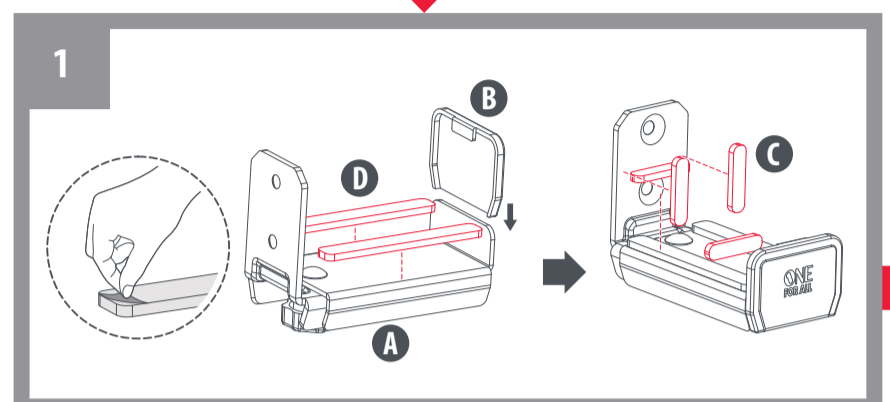


- Package W**
- W-A 4 x ST4.8x38mm
  - W-B 4 x Ø7x35mm



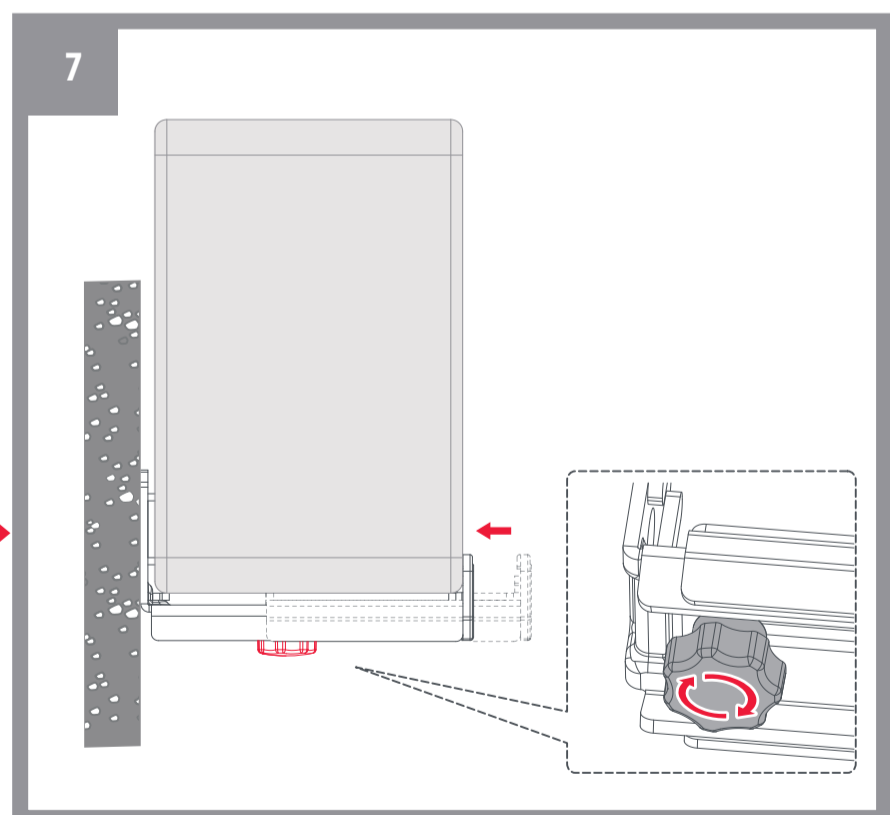
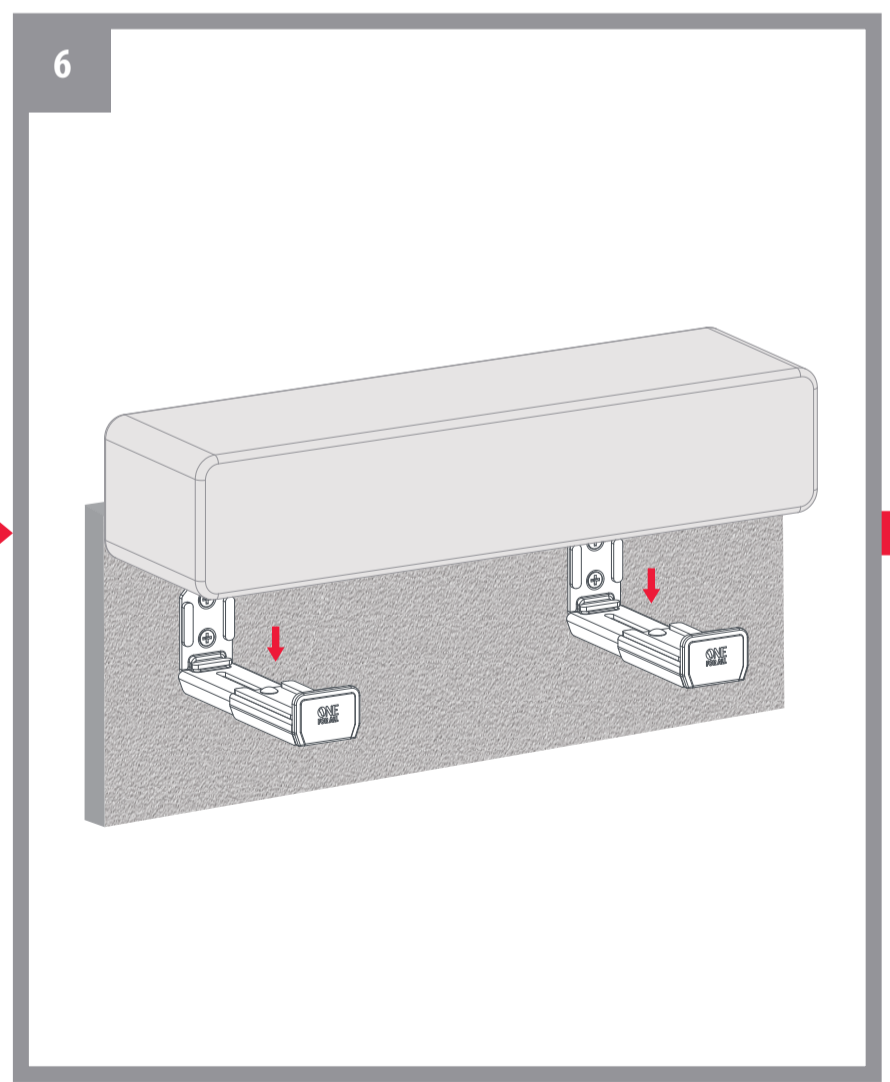
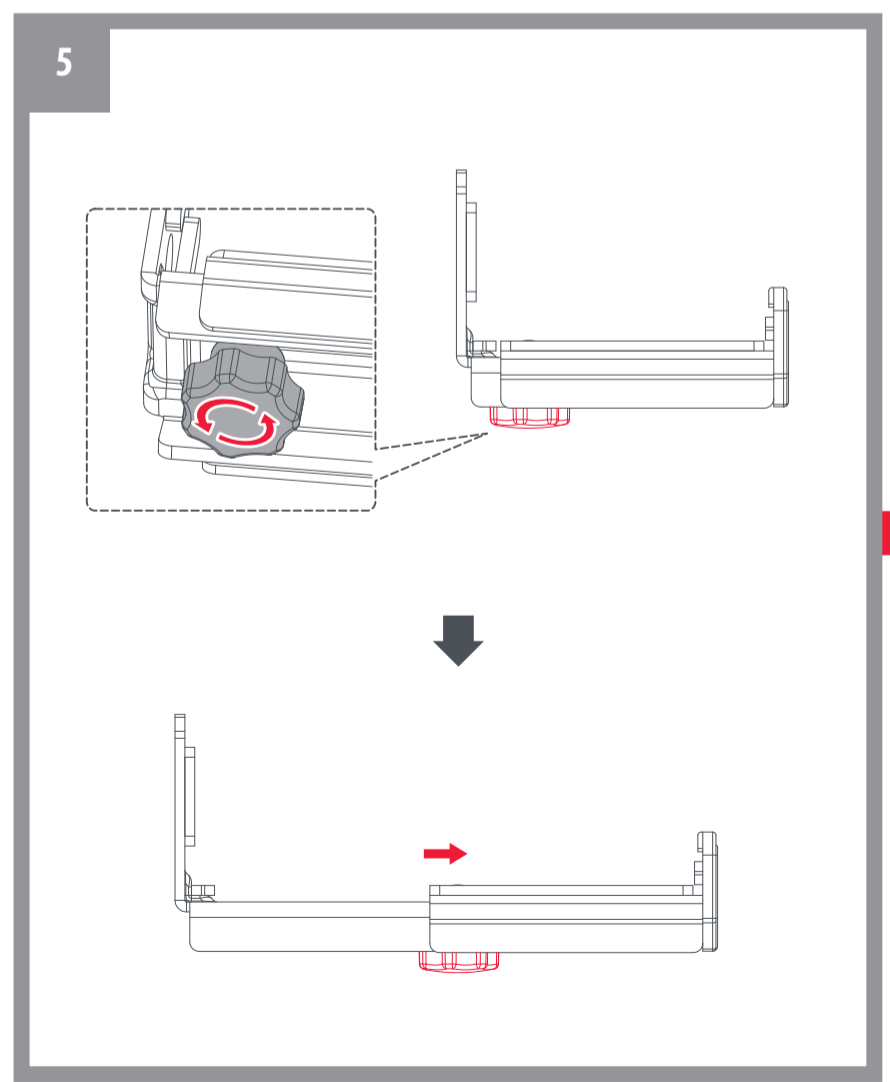
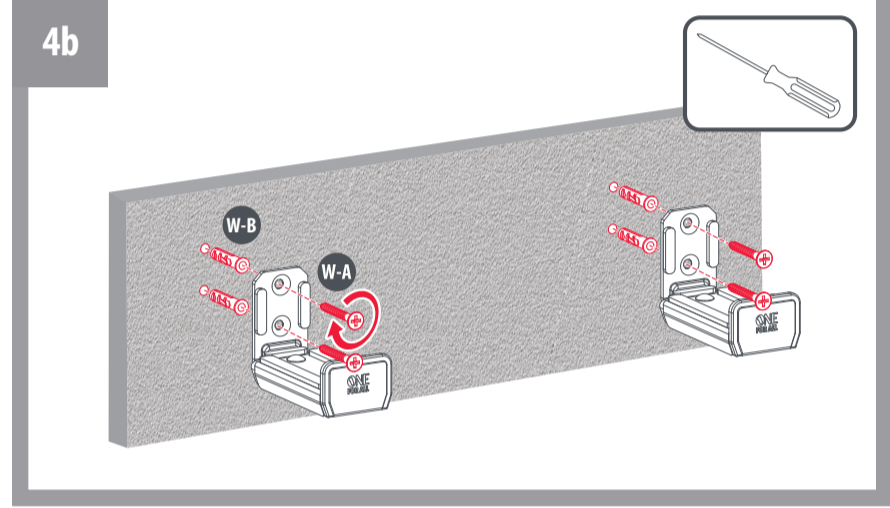
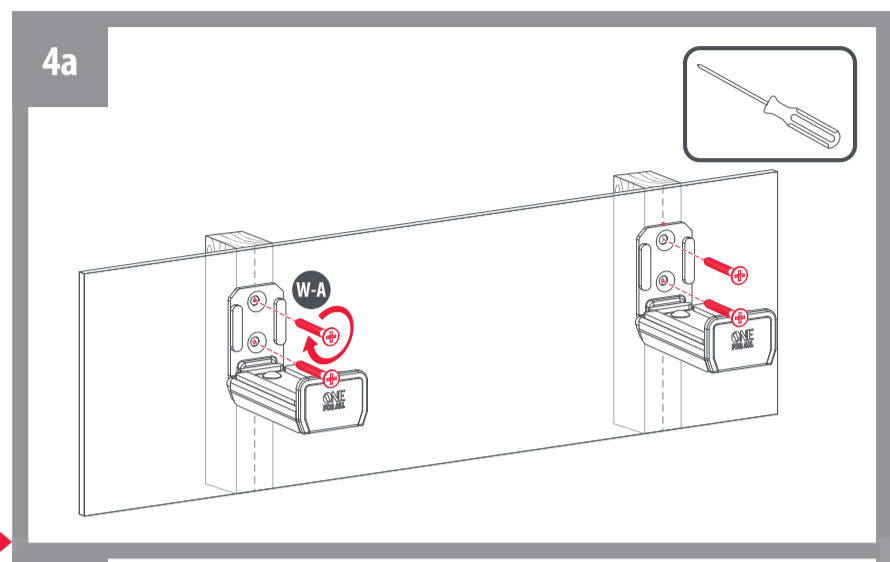
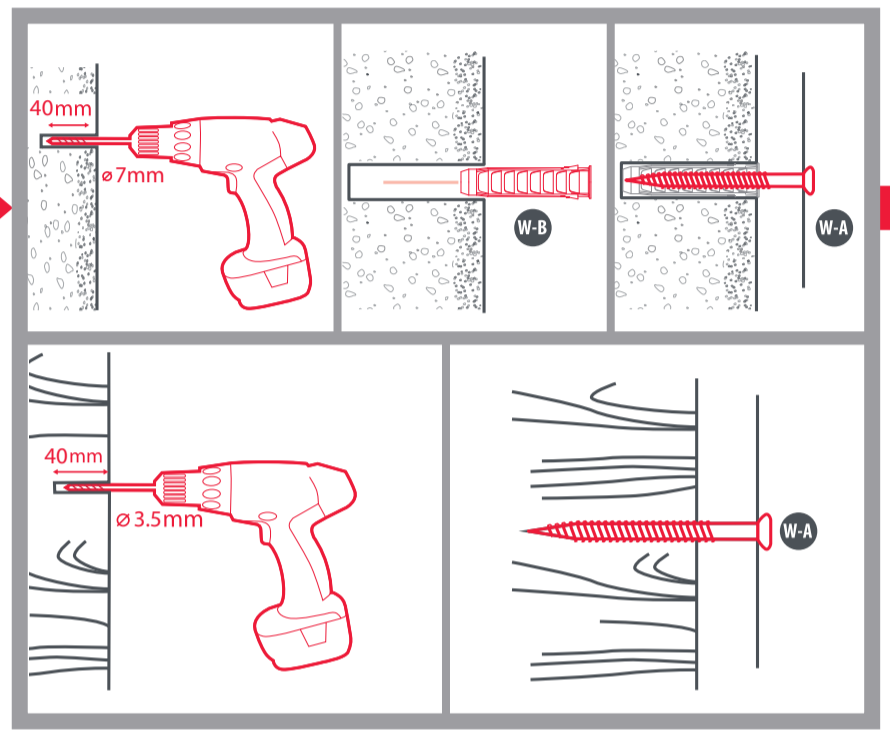
WME310  
713440  
Urbesol Electronics B.V. - Europe & International  
PO Box 3332, 7500 DH Enschede  
The Netherlands  
RDN-11 50623

**START**



**3** **WARNING**

Please verify that the supporting surface will safely support the combined weight of the equipment and all attached hardware and components



**FINISH**