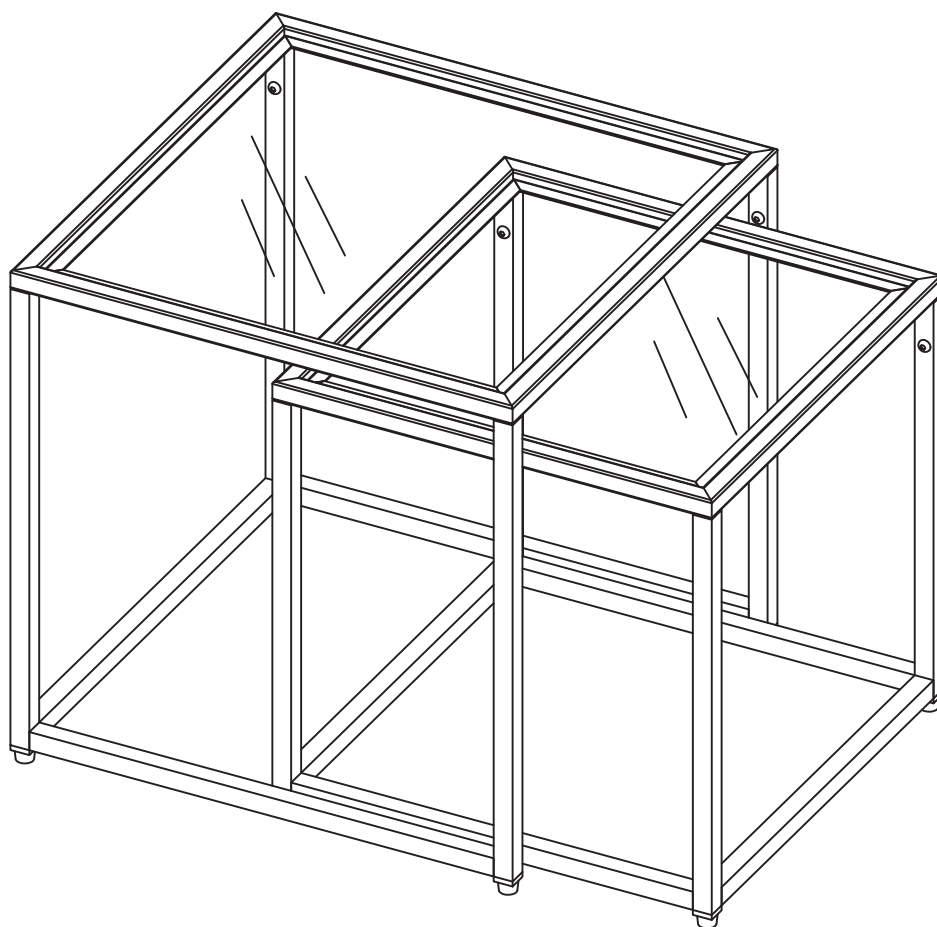


# Morillo

 habitat



## Spare Parts

 [www.argos-support.co.uk](http://www.argos-support.co.uk)

 [Help@ClickSpares.co.uk](mailto:Help@ClickSpares.co.uk)

 0370 112 1928

## Customer Support

 0345 640 2020



# Safety and Care Advice

---

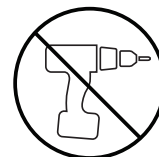
## Product Details

HAB MORILLO GLASS NESTING TABLES 3296464

## IMPORTANT, RETAIN FOR FUTURE REFERENCE: READ CAREFULLY.

- Keep children and animals away from the work area, small parts could choke if swallowed.
- Make sure you have enough space to layout the parts before starting.
- This product has been constructed to be used in the domestic environment only and not for commercial purposes.

- Assemble the item as close to its final position (in the same room) as possible.
- Assemble on a soft level surface to avoid damaging the unit or your floor.



- We do not recommend the use of power drill/drivers for inserting screws as this could damage the unit. Only use hand screwdrivers.
- Parts of the assembly will be easier with 2 people.
- Dispose of all packaging carefully and responsibly.

## Care and maintenance

---

- Use a dry cloth to clean the product, furniture polish is not recommended.
- The door with tempered glass, please handle with care.
- Clean glass with a damp cloth. Use only water/glass-cleaner. Wipe dry with clean a cloth.
- Do not use abrasives cleaning agents, as these may scratch the glass.
- If the glass is chipped or broken, stop using the product.
- From time to time check that there are no loose screws, nuts or bolts. If there are please re-tighten.
- Do not place very hot or very cold items directly on glass surfaces.
- Do not sit or stand on glass surfaces.
- Do not strike the glass with hard or pointed items, or use the glass as a chopping surface.
- Always supervise young children around glass products.
- This product should not be discarded with household waste. Take to your local authority waste disposal centre.
- In exceptional circumstances a scratched surface or damaged edge may cause the glass to break unexpectedly. The glass in this product is designed to break into small fragments rather than large/sharp pieces. Avoid impacts on the side or edges of the glass, as this is where the glass is most vulnerable.

## Additional Guidance

---

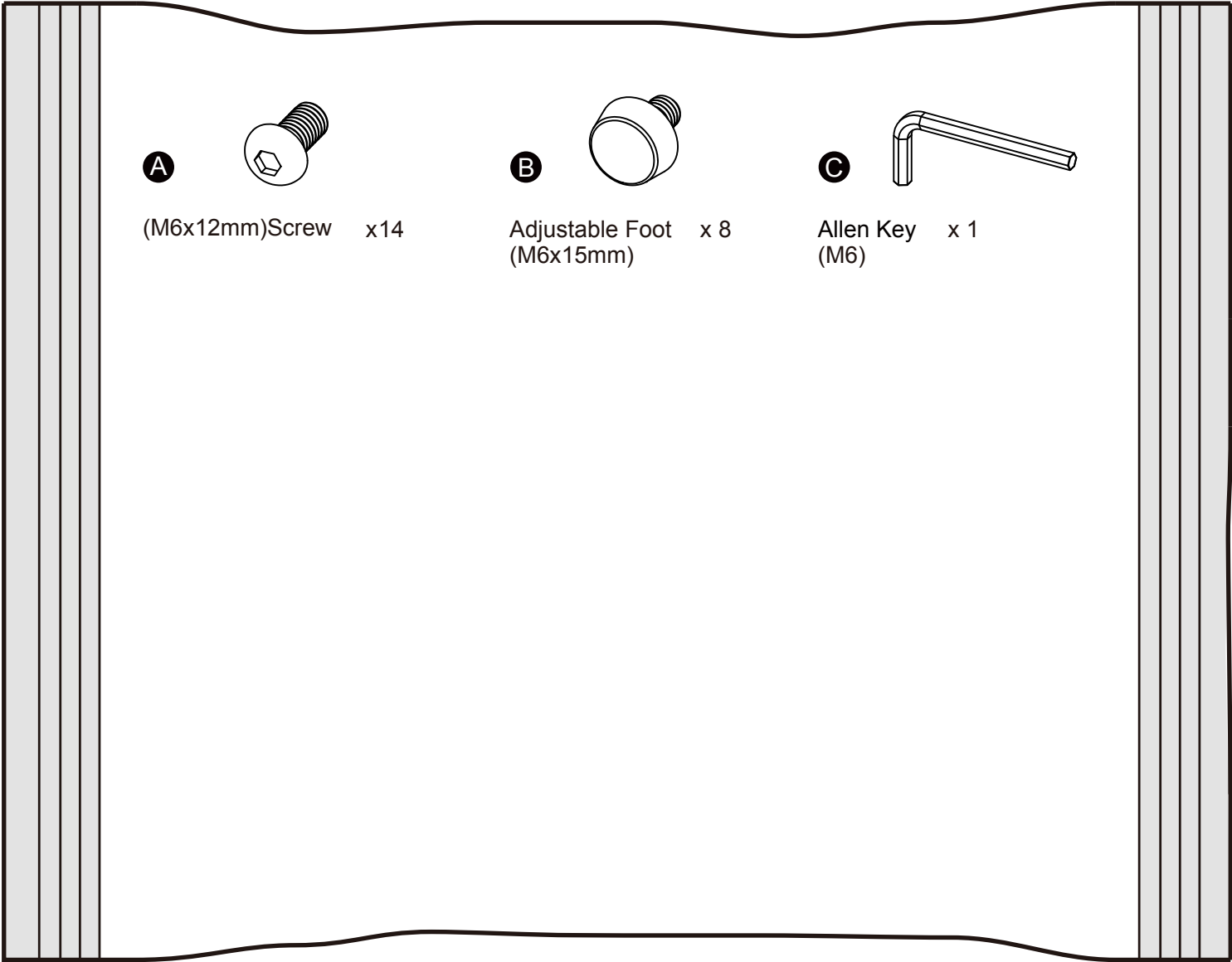
- Assemble all parts and bolts loosely during assembly, only once the product is complete should you fully tighten the bolts.
- Regularly check and ensure that all bolts and fittings are tightend properly.
- Big table maximum loading weight 10kg, small table maximum loading weight 5kg.
- This product is in compliance with EN 12521.
- Keep the instructions for furture reference.

Habitat, Argos Limited and Sainsbury's Supermarkets Ltd, London EC1N 2HT, UK. Argos (N.I.) Ltd and Sainsbury's (NI) Ltd. Forestside Shopping Centre, Upper Galwally, Belfast, BT8 6FX, UK.

# Fittings

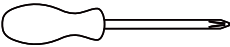
---

## Bag 1

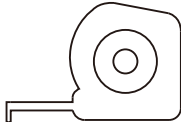


## Tools required

---



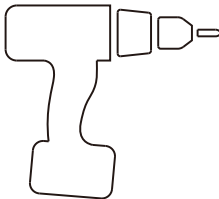
Phillips screwdriver  
(small & medium)



Ruler/tape  
measure



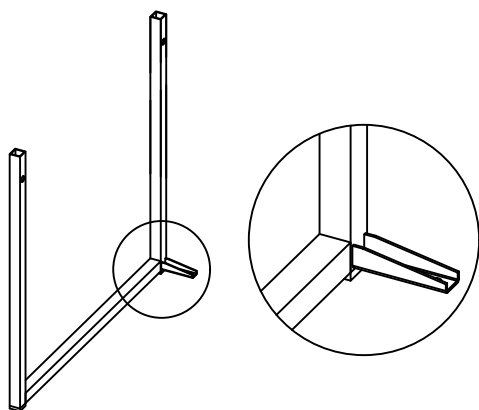
Drill Heads (M8)



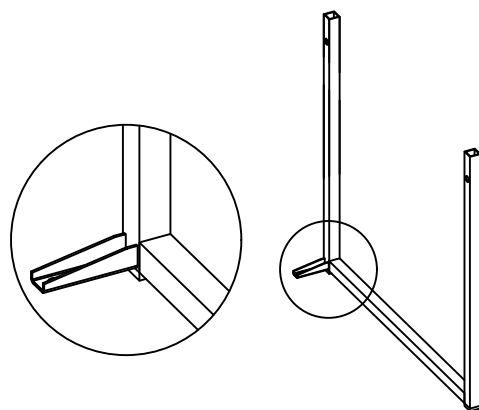
Power Drill  
Only used for  
drilling walls

# Panels and tubes

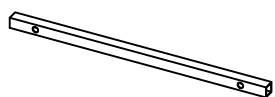
---



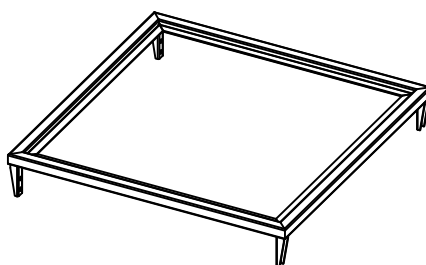
1 Frame (398 x 375mm)



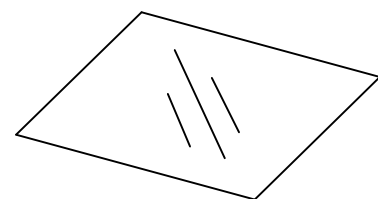
2 Frame (398 x 375mm)



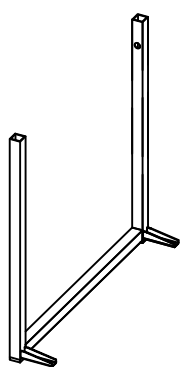
3 Frame (368 x 15mm)



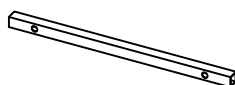
4 Top (400 x 400mm)



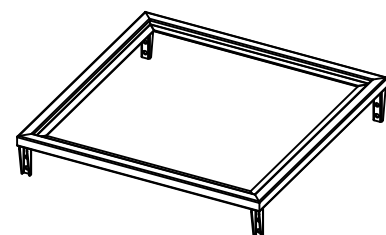
5 Glass (368 x 368mm)



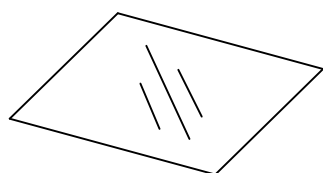
6 Frame (348 x 325mm) (x2)



7 Frame (318 x 15mm) (x2)

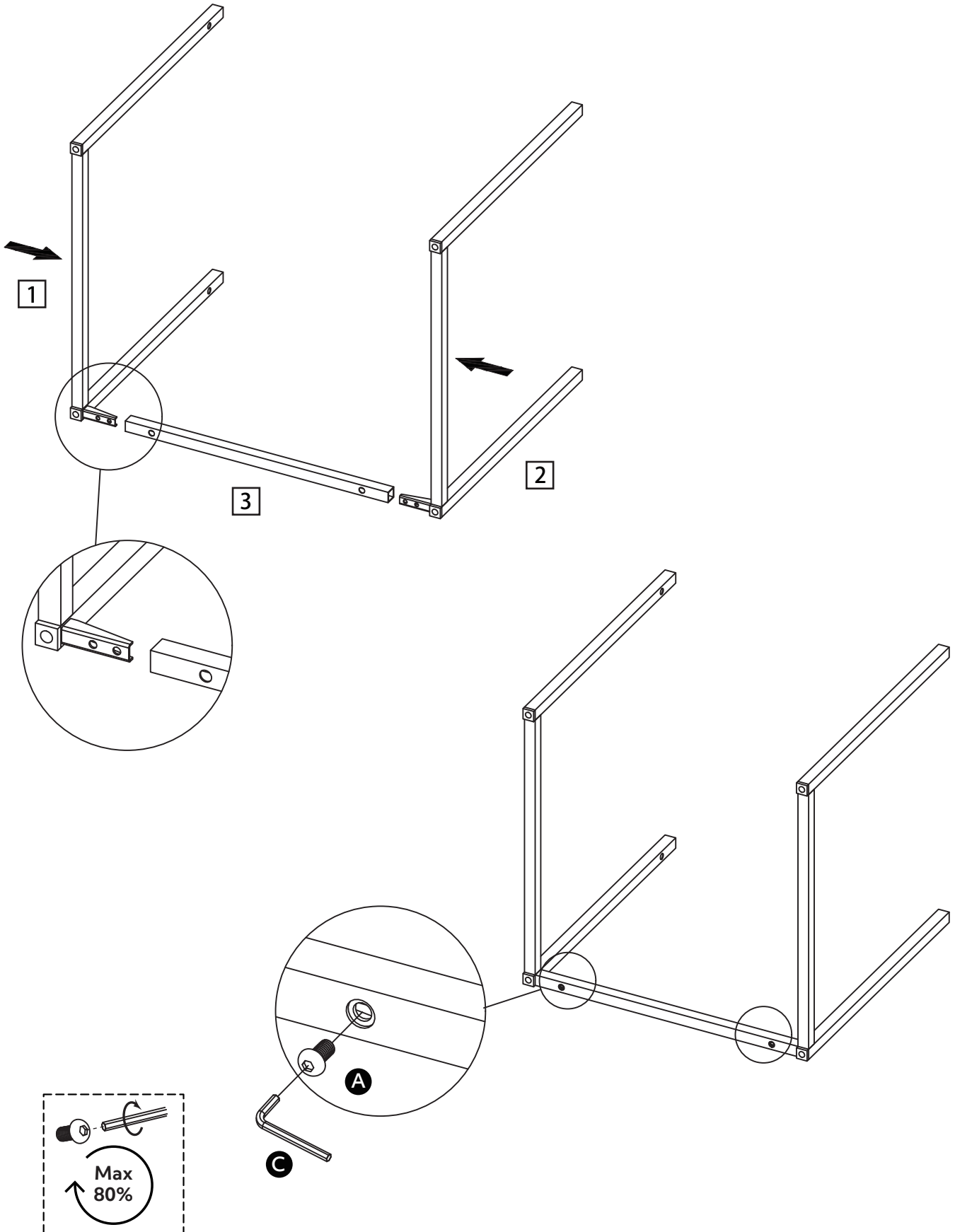


8 Top (350 x 350mm)



9 Glass (318 x 318mm)

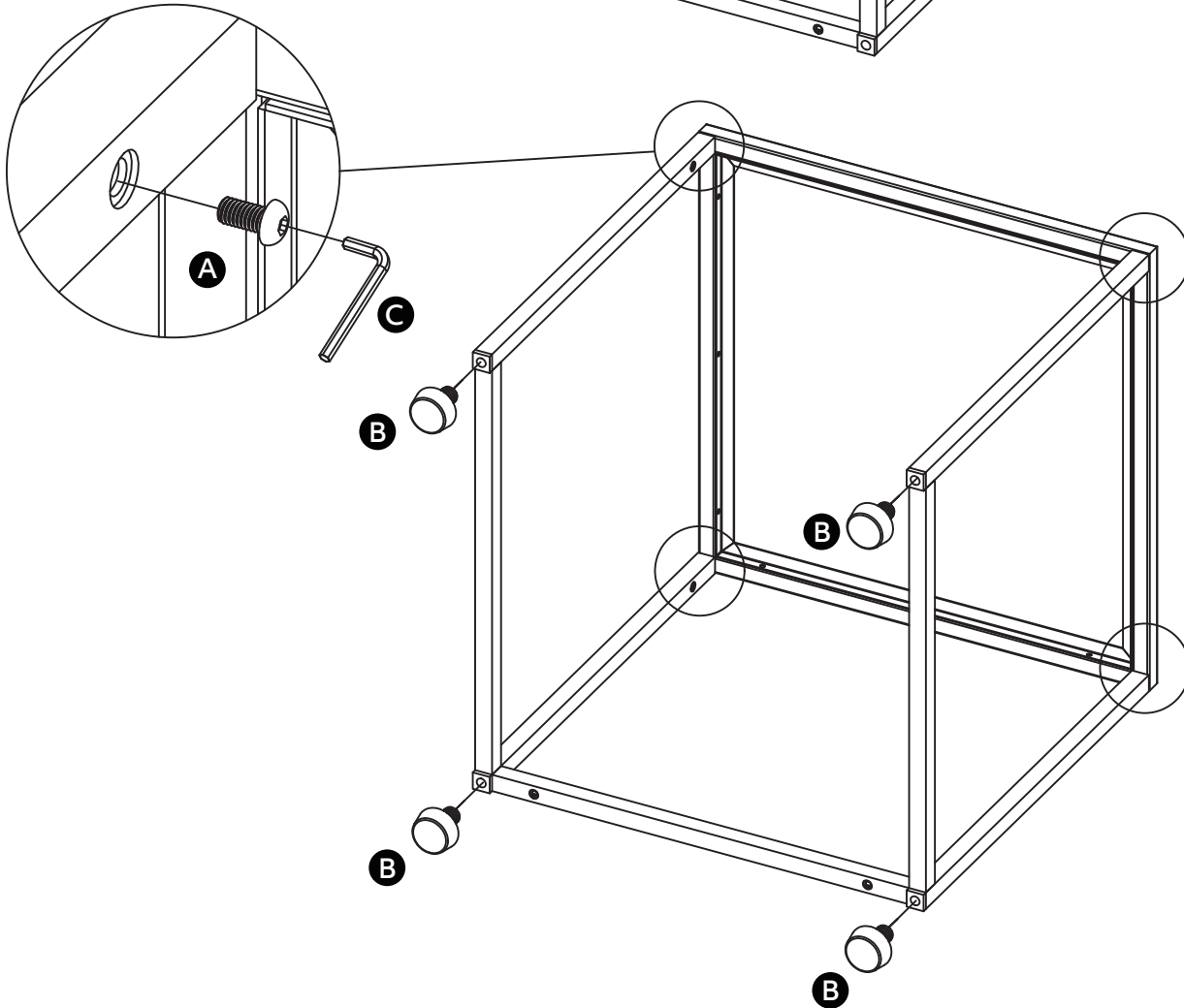
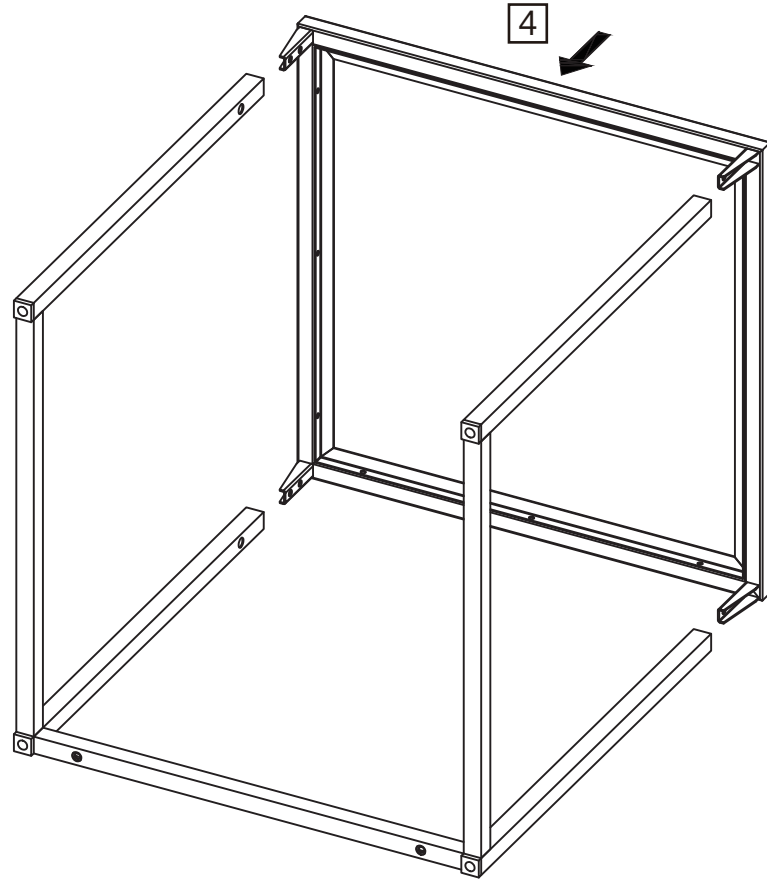
# 1



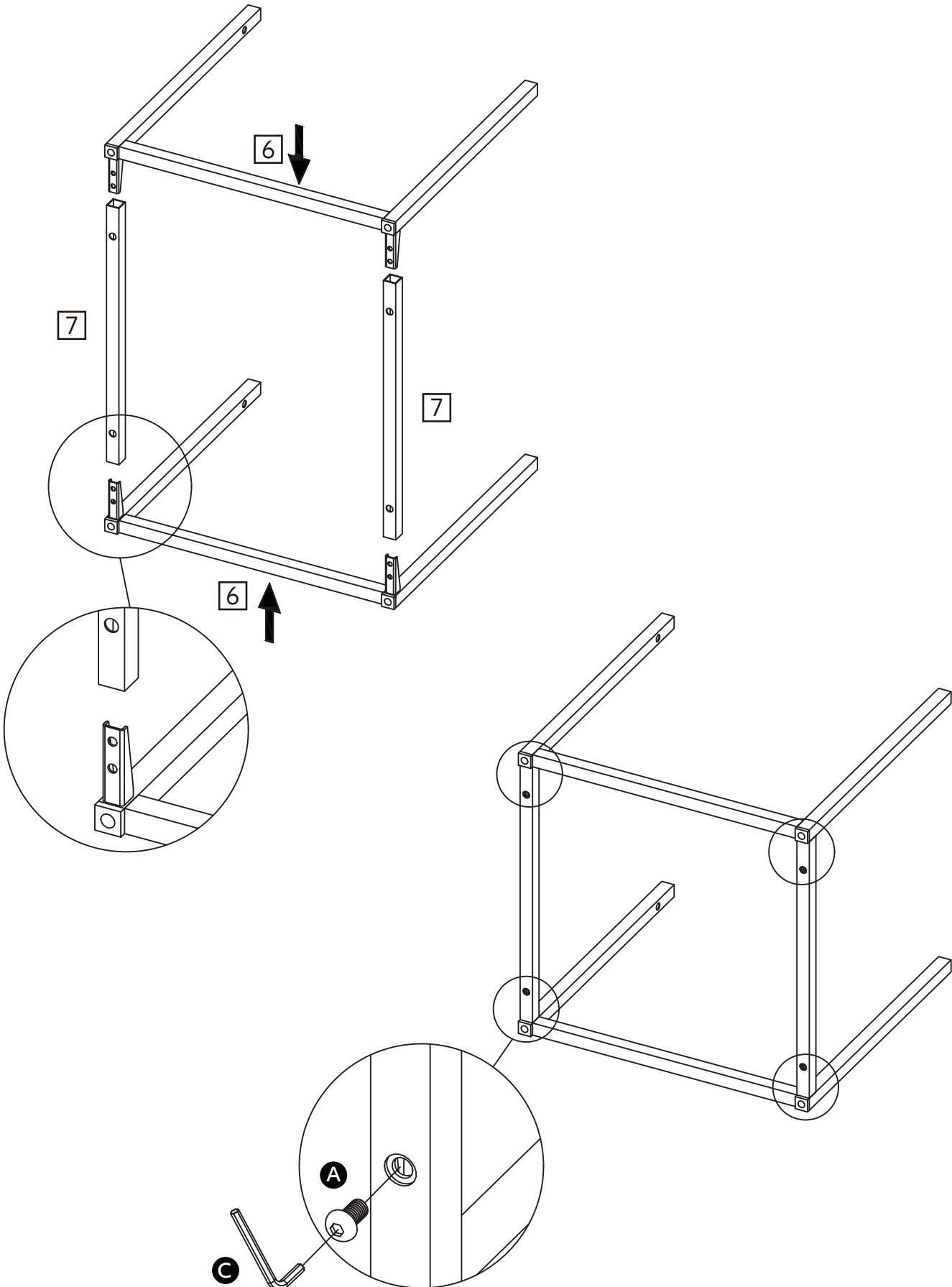
**Important:**

Do not fully tighten the screws until the last step.

# 2

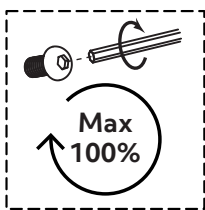
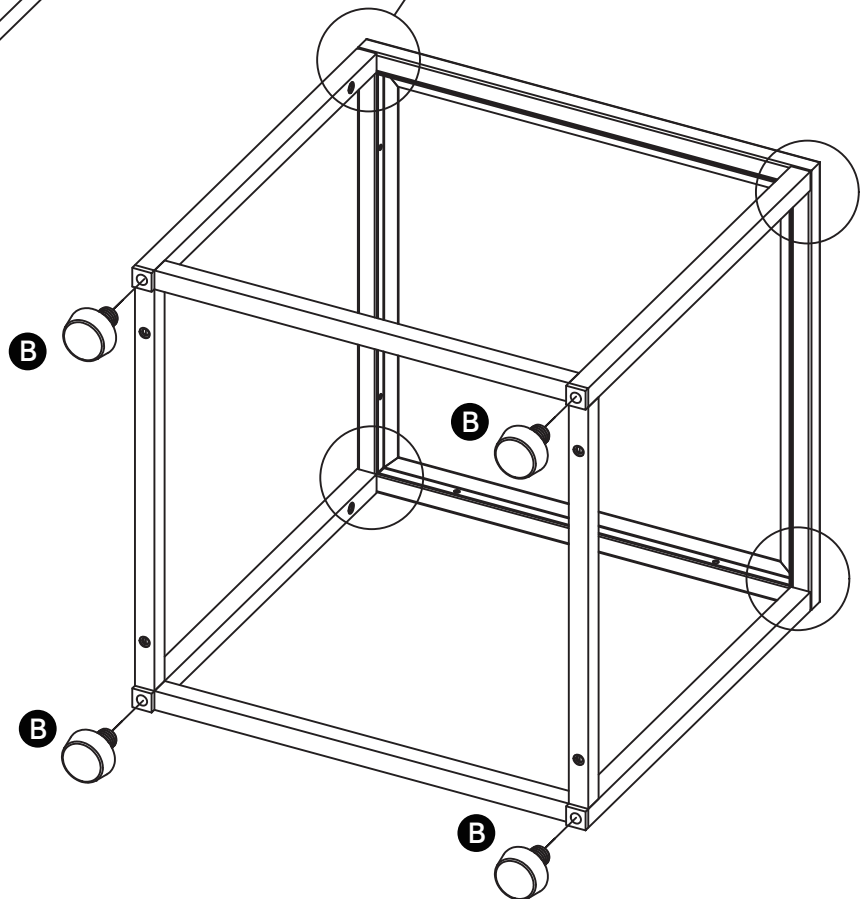
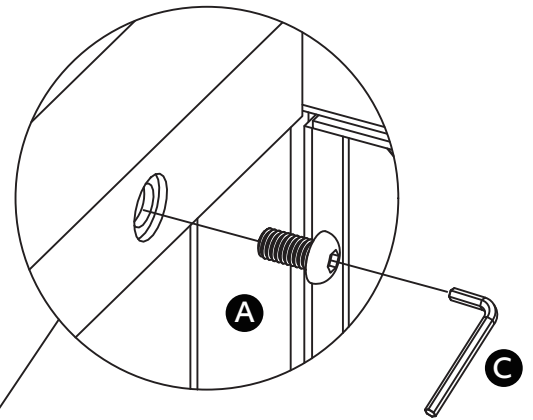
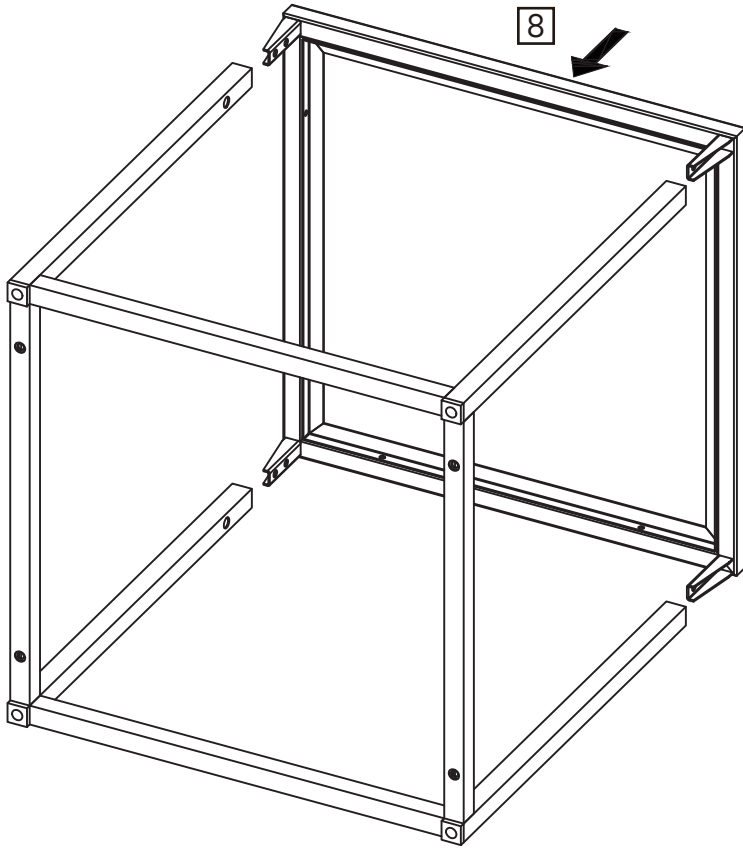


# 3



# 4

<b>A</b>		<b>B</b>		<b>C</b>	
(M6x12mm)Screw	x4	Adjustable Foot	x4	Allen Key	x1

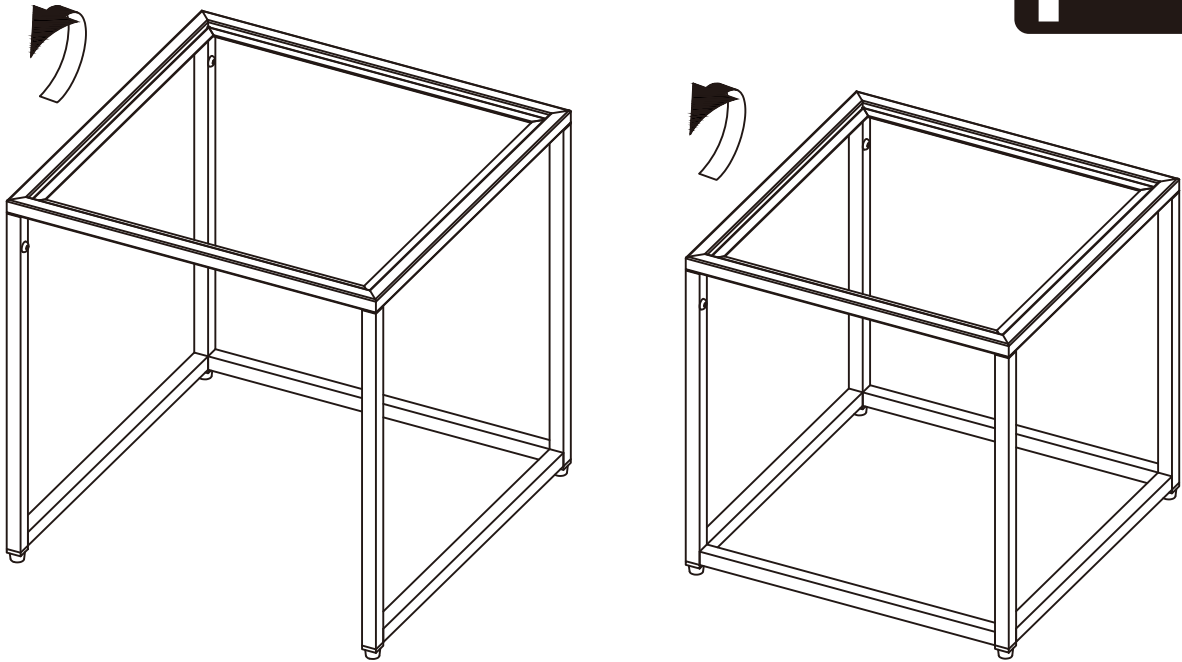


**Important:**

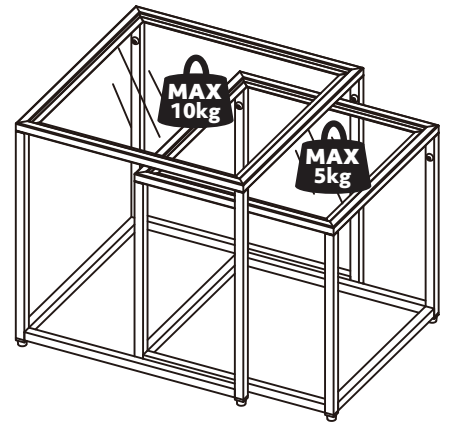
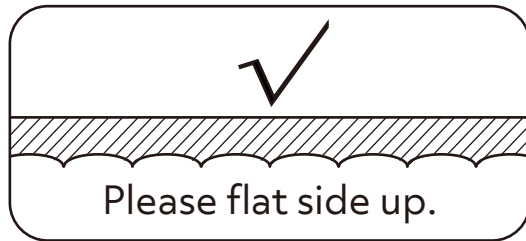
After all the parts are positioned, you can now fully tighten fixed on previous steps.



# 5



# 6



**Assembly is complete**

