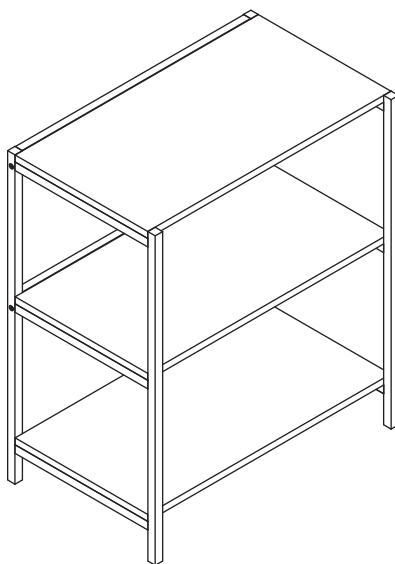



Jive

 habitat

3 Tier Shelving



Spare Parts

 www.argos-support.co.uk

 Help@ClickSpares.co.uk

 0370 112 1928

Customer Support

 0345 640 2020



Safety and Care Advice

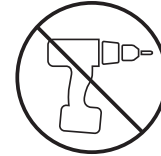
Product Details

Jive 3 Tier Shelving - Green / 3294875

IMPORTANT, RETAIN FOR FUTURE REFERENCE: READ CAREFULLY.

- Keep children and animals away from the work area, small parts could choke if swallowed.
- Make sure you have enough space to layout the parts before starting.
- This product has been constructed to be used in the domestic environment only and not for commercial purposes.

- Assemble the item as close to its final position (in the same room) as possible.
- Assemble on a soft level surface to avoid damaging the unit or your floor.



• We do not recommend the use of power drill/drivers for inserting screws as this could damage the unit. Only use hand screwdrivers.

- Parts of the assembly will be easier with 2 people.
- Dispose of all packaging carefully and responsibly.

Care and maintenance

- Only clean using a damp cloth and mild detergent. Do not use abrasive cleaners.
- Use a dry cloth to clean the product, furniture polish is not recommended.
- From time to time check that there are no loose screws, nuts or bolts. If there are please re-tighten.
- This product should not be discarded with household waste. Take to your local authority waste disposal centre.

Glue safety - Take care when using glue, please follow the advice below

Skin contact: Remove contamination by washing with soap and water. procedure should also be followed prior to eating and drinking.

Eye contact: Rinse immediately with clean water for 15 minutes and seek medical advice.

If swallowed: Seek medical advice immediately.

Additional Guidance

- Assemble all parts and bolts loosely during assembly, only once the product is complete should you fully tighten the bolts.
- Regularly check and ensure that all bolts and fittings are tightend properly.
- Age recommendation for upper bunk 14+
- Maximum user weight 15kg / per layer
- This product is compliant EN14749

Habitat, Argos Limited and Sainsbury's Supermarkets Ltd, London EC1N 2HT, UK. [Argos \(N.I.\) Ltd](#) and Sainsbury's (NI) Ltd. Forestside Shopping Centre, Upper Galwally, Belfast, BT8 6FX, UK

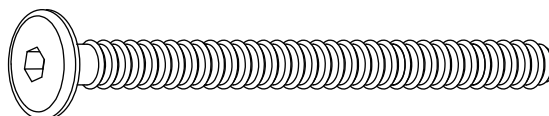
Fittings (Shown to scale)

Bag 1

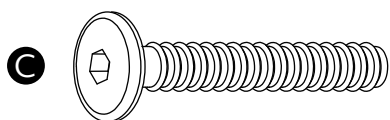


Ø10*15mm Nut x 4

B

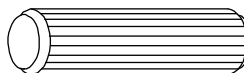


M6*60mm Bolt x 4



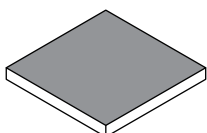
M6*30mm Bolt x 12

D



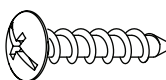
Ø8*30mm Bolt x 4

E



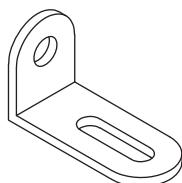
20x20mm Foot Pad x 4

F



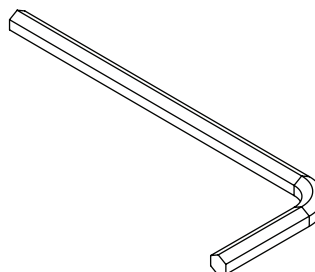
15mm Screw x 1

G



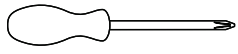
L Shap Bracket x 1

H

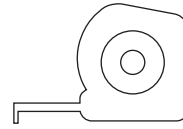


M4 Alley Key x 1

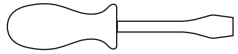
Tools required



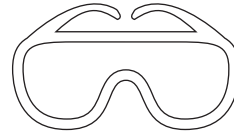
Phillips screwdriver
(small & medium)



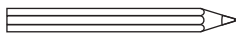
Ruler/tape
measure



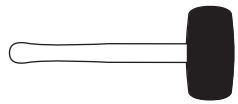
Phillips screwdriver
(small & medium)



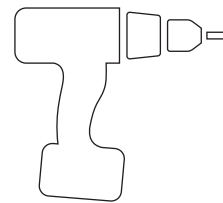
Eye protection
(when using a
hammer or glue)



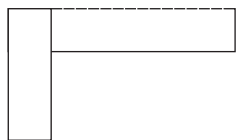
Pencil



Mallet



Power Drill



Set Square

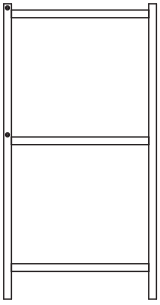


Drill Heads

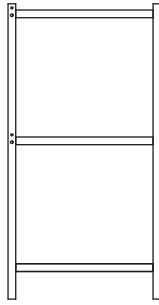


Spirit Level

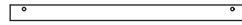
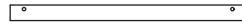
Panels



1 Left Side Panel x 1
(850 x 445mm)



2 Right Side Panel x 1
(850 x 445mm)



3 Back Rail (681 x 45mm) x 2



4 Shelf Panel (725 x 398mm)-Smoke Pine x 1

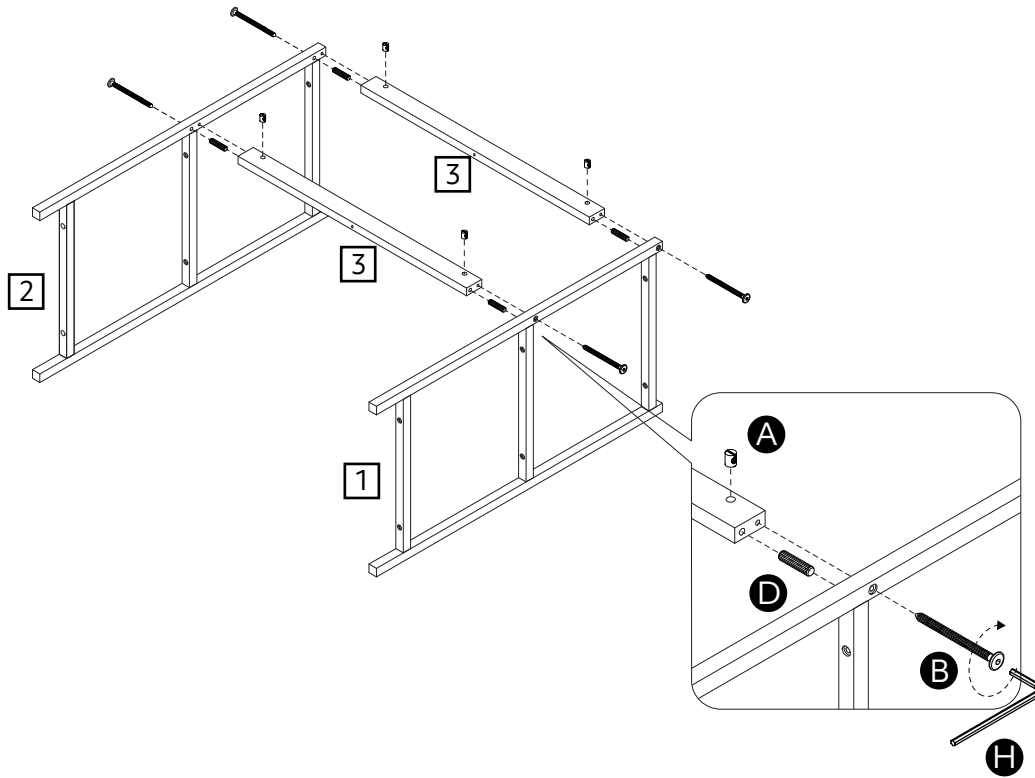
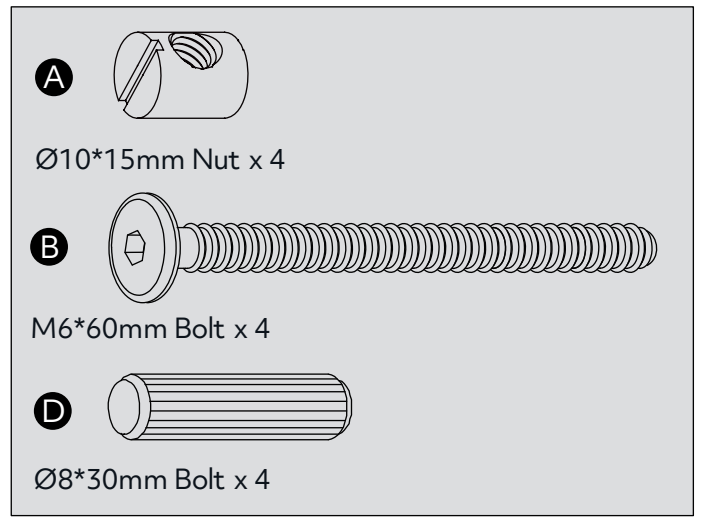
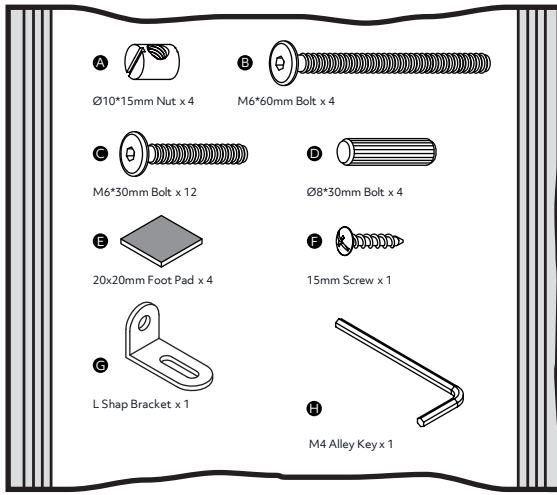


5 Shelf Panel (725 x 398mm)-Desert Sage x 1

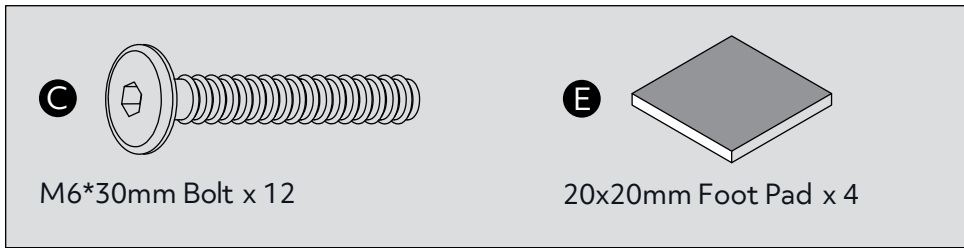


6 Shelf Panel (725 x 398mm)-Jet Stream x 1

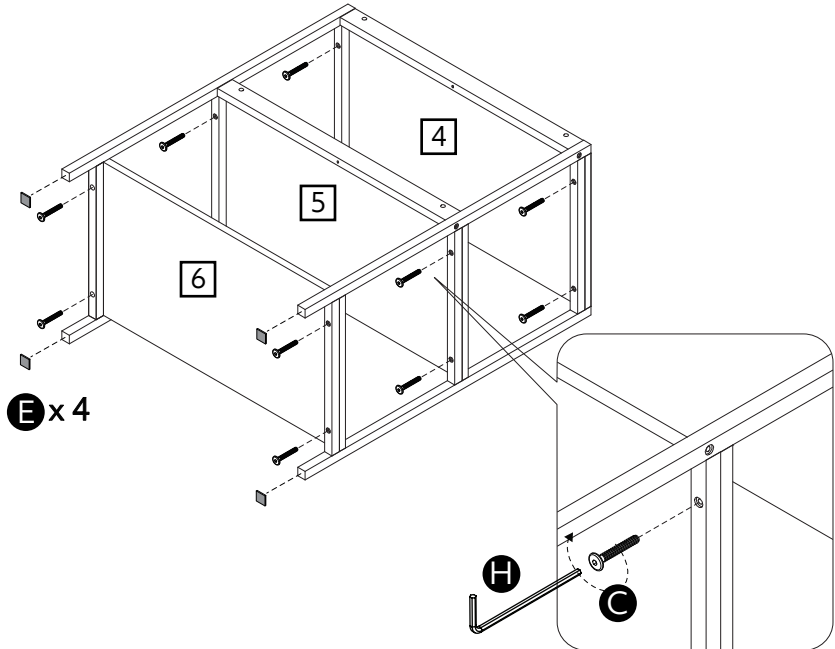
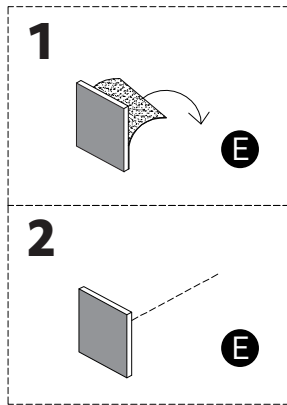
1



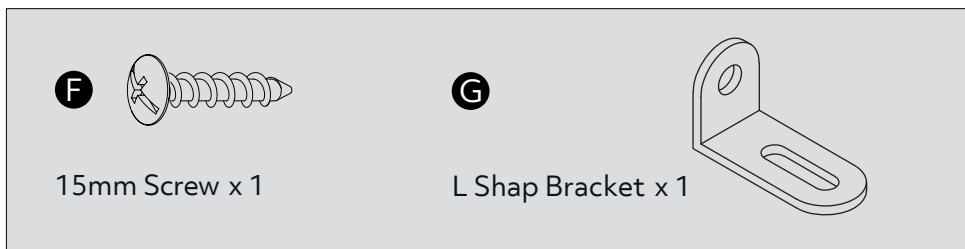
2



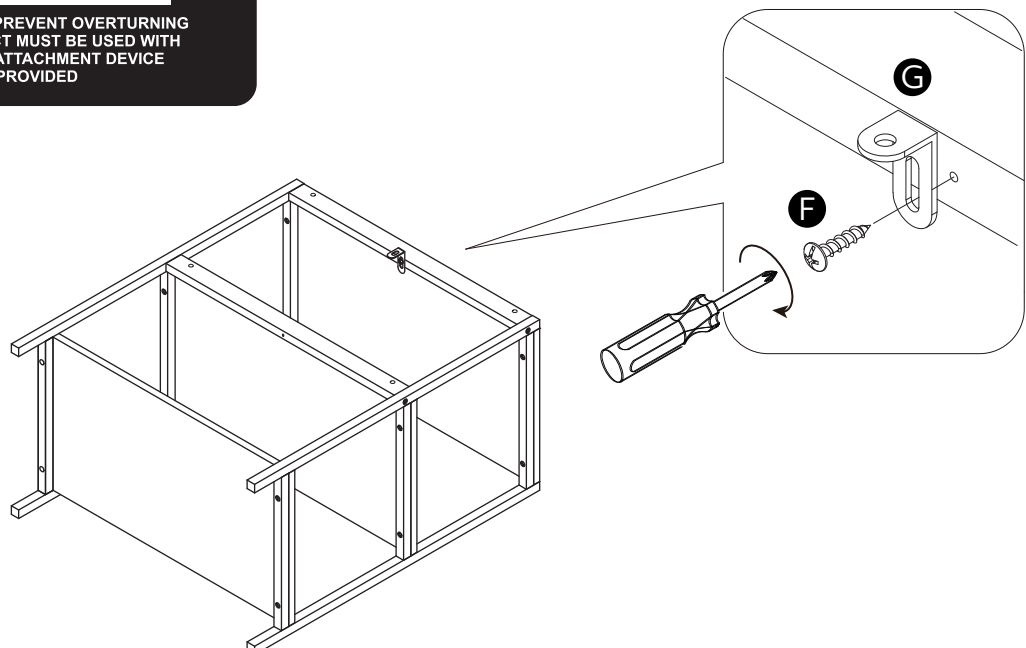
Tips!
The installation sequence of shelf panel can be changed according to preferences!



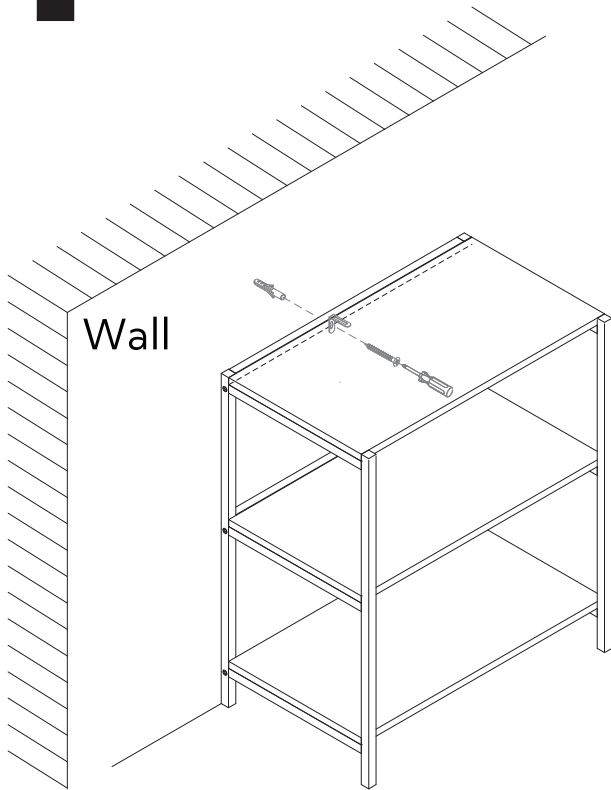
3



WARNING!
IN ORDER TO PREVENT OVERTURNING
THIS PRODUCT MUST BE USED WITH
THE WALL ATTACHMENT DEVICE
PROVIDED



4



<p>STEP 1: Loose the screw to adjust the bracket position</p>	<p>STEP 2: Make a mark on the wall through the bracket</p>
<p>STEP 3: Drill a hole in the wall and insert the plug.</p>	<p>STEP 4: Fix the bracket to wall and tighten the screw on leg frame</p>



WARNING!
IN ORDER TO PREVENT OVERTURNING THIS PRODUCT MUST BE USED WITH THE WALL ATTACHMENT DEVICE PROVIDED

- **WARNING:** To prevent possible overbalancing this unit must be secured to a wall using the overbalance protector kit supplied.
- A unit that is allowed to topple can cause serious or fatal injury. In addition to wall fixing the unit, place heavy items on the lower shelves. do not put any heavy objects on top of the unit and never allow children to climb or hang on drawers, doors or shelves.

Assembly is complete.

A Guide to - Wall Mounting & Fixings

Important note:

Wall Fixings:



- because of the variety of different wall types, Habitat cannot provide you with the exact fixings you will need to fix this product to the wall.


You must first identify the type of wall you intend to fix product onto and then contact your local hardware store to get the appropriate fixings.



Important: When drilling into walls always check that there are no hidden wires or pipes etc.

Make sure that the screws and wall plugs being used are suitable for supporting your unit. Consult a qualified tradesperson if you are unsure.

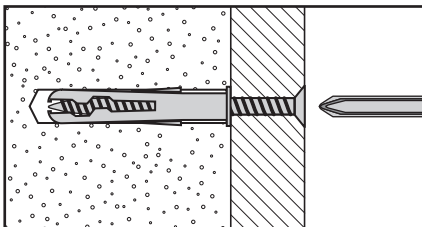
Hints:

- 1: General rule:**  Always use a larger screw and wall plug if you are not sure.
- 2:** Ensure you use the recommended drill bit to match the wall plug and hole size.
- 3:** Ensure you drill the hole horizontally, do not force the drill or enlarge the hole.
- 4:** Take extra care when drilling high walls, ceilings and ceramic tiles. Ensure wall plugs are inserted beyond the thickness of the ceramic tiles to avoid the tiles splitting or cracking.
- 5:** Ensure wall plugs are well fitted and are a tight fit in the drilled hole.

Types of walls

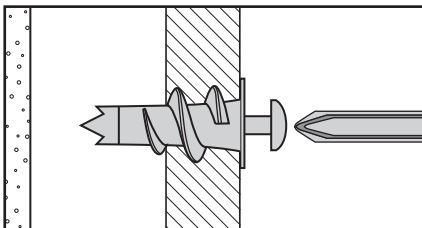
You can use one of the following types of wall plug if your walls are made of brick, breeze block, concrete, stone or wood.

No.1 "General Purpose" wall plug



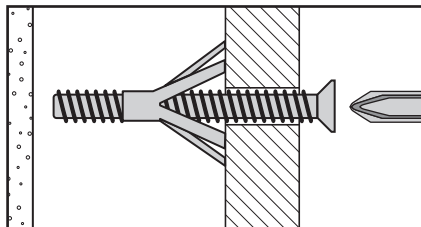
Generally aerated blocks should not be used to support heavy loads, use a specialist fitting in this case. For light loads, general purpose wall plugs can be used.

No.2 "Plasterboard" wall plug



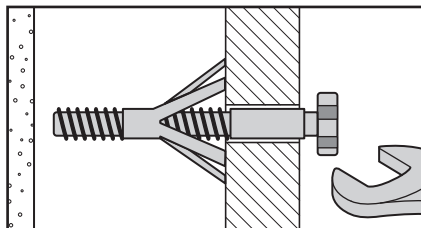
For use when attaching light loads on to plasterboard partitions.

No.3 "Cavity Fixing" wall plug



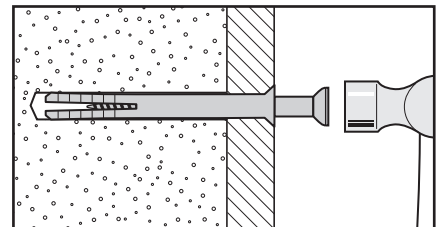
For use with plasterboard partitions or hollow wooden doors.

No.4 "Cavity Fixing-Heavy Duty" wall plug



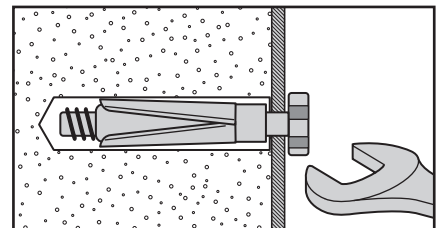
For use when fitting or supporting heavy loads such as shelving, wall cabinets and coat racks.

No.5 "Hammer Fixing" wall plug



For use with walls stuck with plasterboard. The hammer fixing allows it to be fixed to the wall rather than the plasterboard. Always check the fixing is secure to the retaining wall.

No.6 "Shield Anchor" wall plug Heavy loads



For use with heavier loads such as TV & HiFi speakers and satellite dishes etc.



Care & Maintenance

Safety: Always check the fitting and location to ensure your safety in and around the home.

Fitting: From time to time check the fitting to ensure the wall plugs or screws do not become loose.