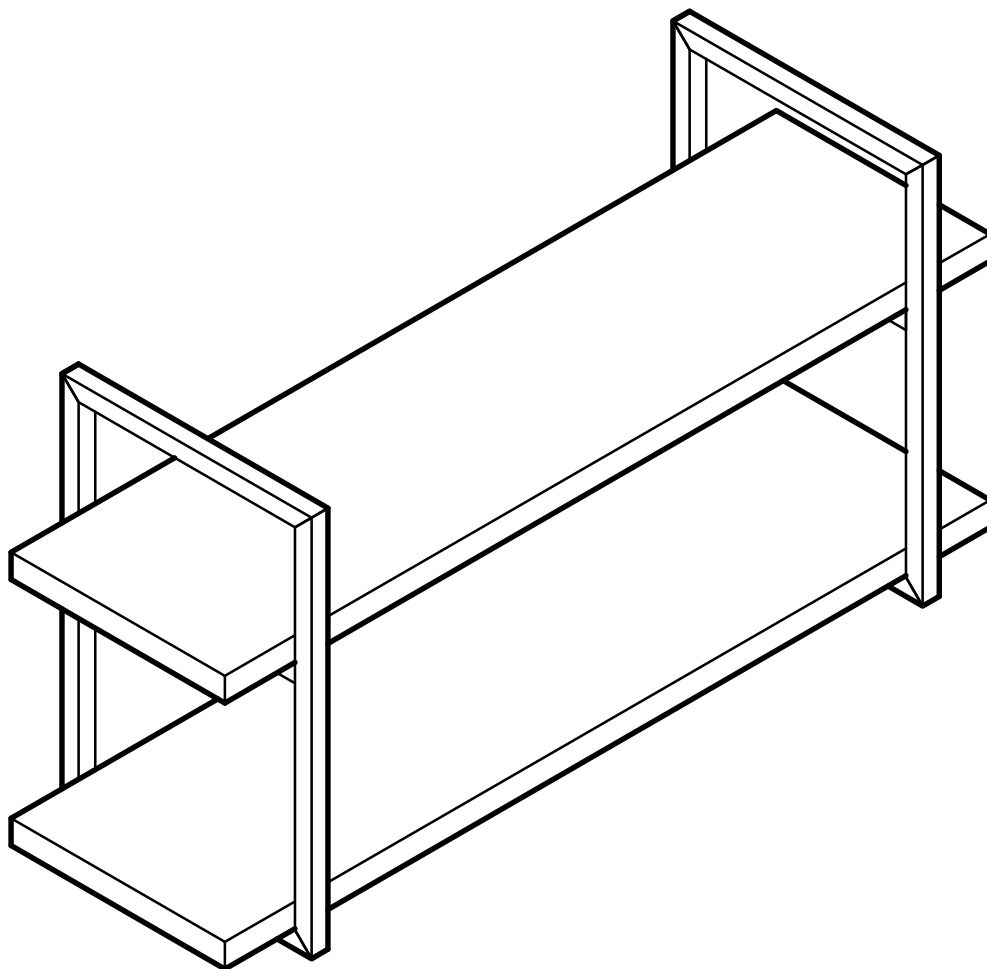


Nomad


 habitat



Spare Parts

-  www.argos-support.co.uk
-  Help@ClickSpares.co.uk
-  0370 112 1928

Customer Support

 0345 640 2020



Safety and Care Advice

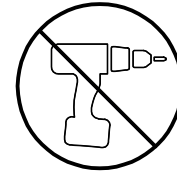
Product Details

Wall Shelf 3283879

IMPORTANT, RETAIN FOR FUTURE REFERENCE: READ CAREFULLY.

- Keep children and animals away from the work area, small parts could choke if swallowed.
- Make sure you have enough space to layout the parts before starting.
- This product has been constructed to be used in the domestic environment only and not for commercial purposes.

- Assemble the item as close to its final position (in the same room) as possible.
- Assemble on a soft level surface to avoid damaging the unit or your floor.



- We do not recommend the use of power drill/drivers for inserting screws as this could damage the unit. Only use hand screwdrivers.
- Parts of the assembly will be easier with 2 people.
- Dispose of all packaging carefully and responsibly.

Care and maintenance

- Only clean using a damp cloth and mild detergent. Do not use abrasive cleaners.
- Use a dry cloth to clean the product, furniture polish is not recommended.
- From time to time check that there are no loose screws, nuts or bolts. If there are please re-tighten.
- This product should not be discarded with household waste. Take to your local authority waste disposal centre.

WARNING

In order to prevent overturning this product must be used with the wall attachment device provided.

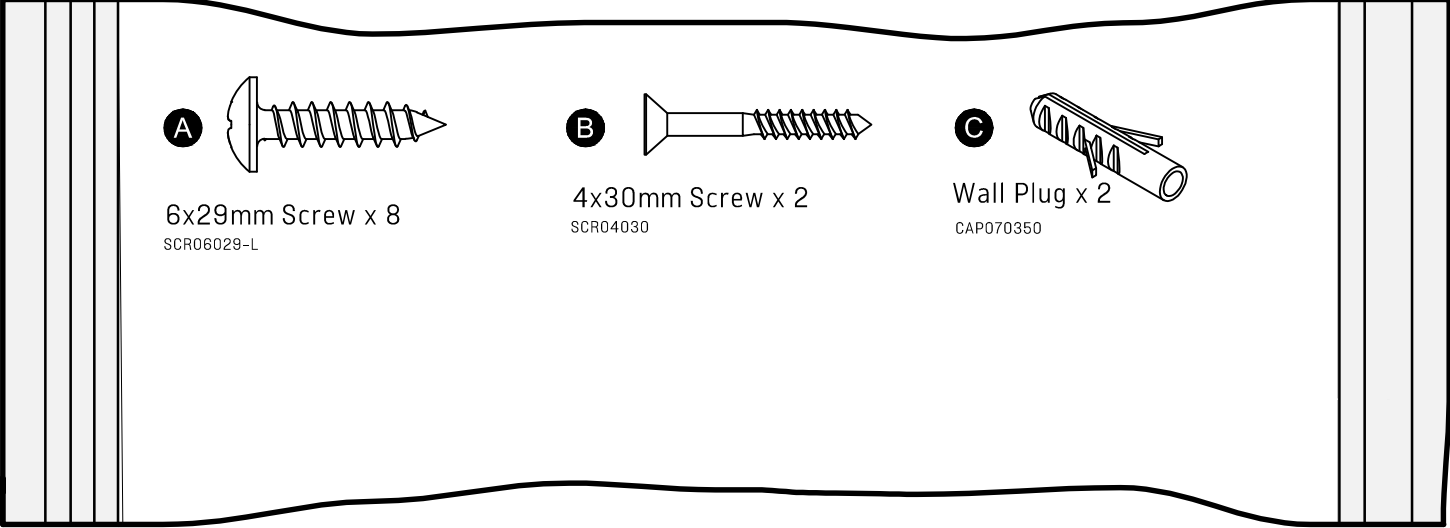
Additional Guidance

- Assemble all parts and bolts loosely during assembly, only once the product is complete should you fully tighten the bolts.
- Regularly check and ensure that all bolts and fittings are tightened properly.
- This product is compliant EN14749

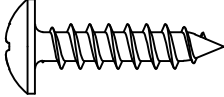
Fittings

(Shown to scale)

Bag 1



A



6x29mm Screw x 8
SCR06029-L

B



4x30mm Screw x 2
SCR04030

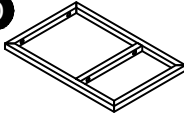
C



Wall Plug x 2
CAP070350

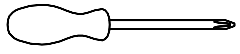
Hardware

D

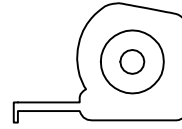


Side post x 2
PNM0300130196

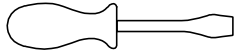
Tools required



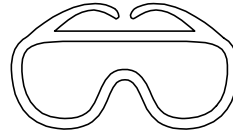
Phillips screwdriver
(small & medium)



Ruler/tape
measure



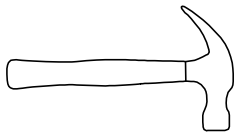
Phillips screwdriver
(small & medium)



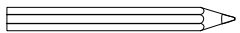
Eye protection
(when using a
hammer or glue)



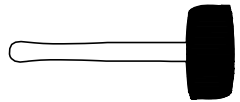
Small
hammer



Large hammer



Pencil



Mallet

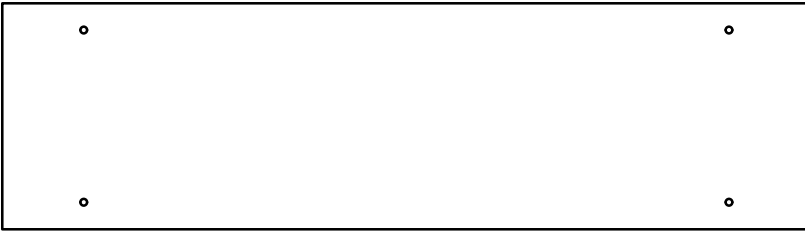


Set Square



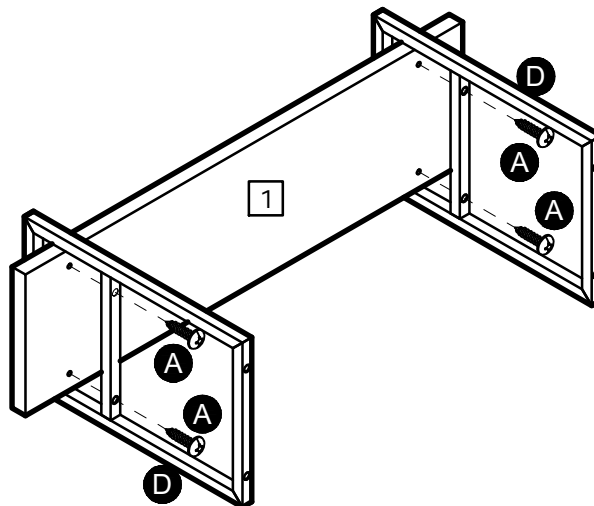
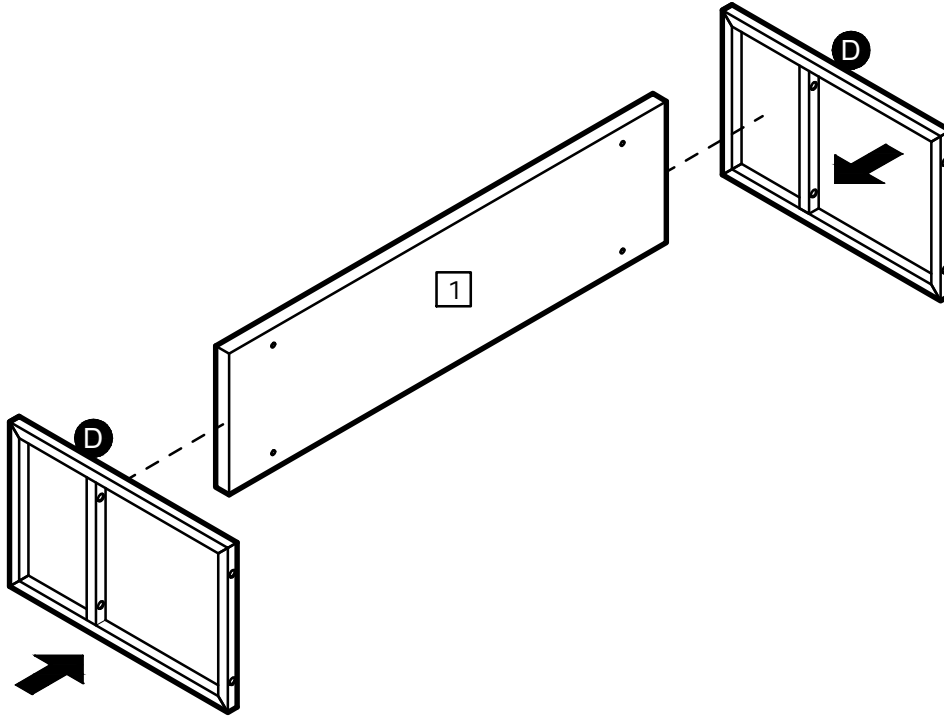
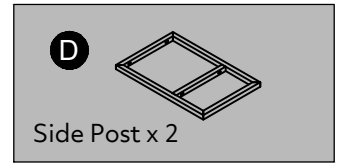
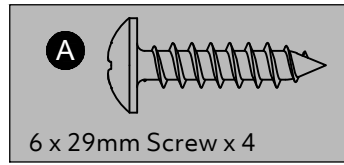
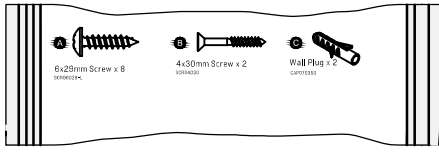
Spirit Level

Panels

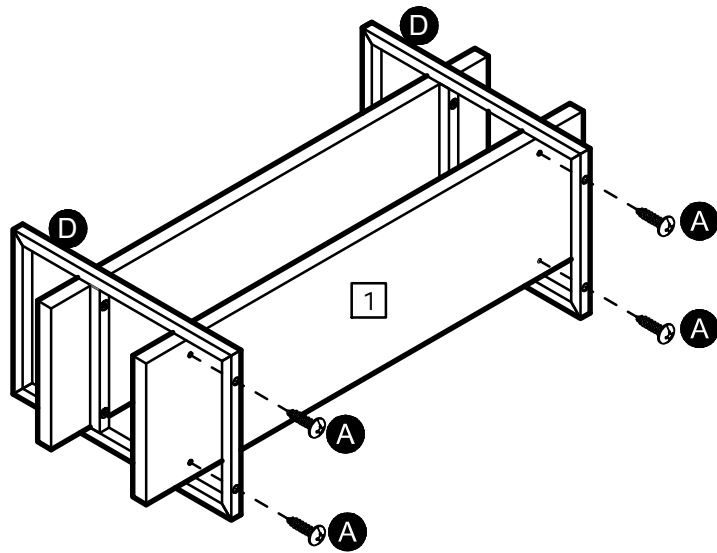
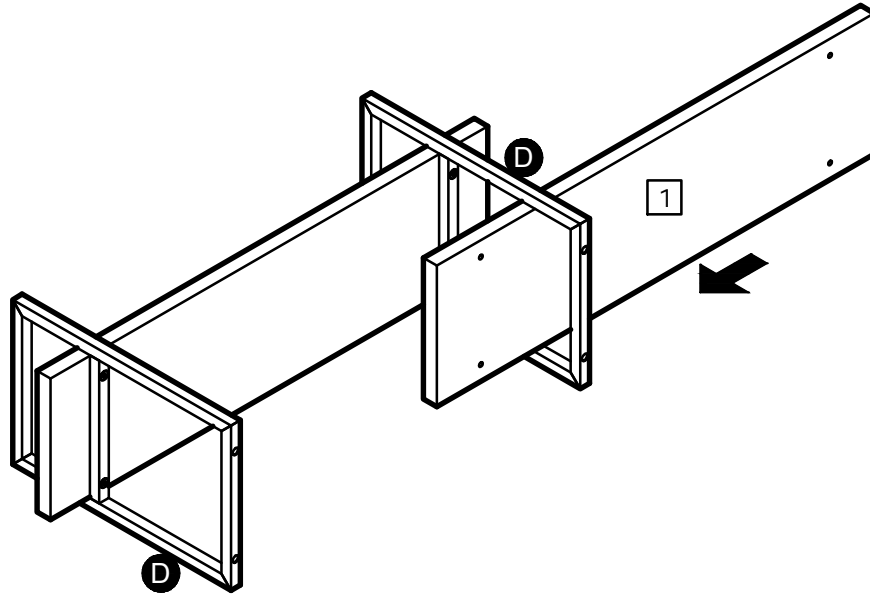
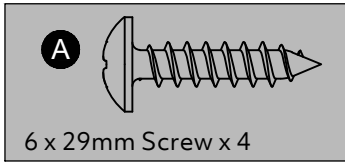


1 Shelf (600 x 167mm) (x2)

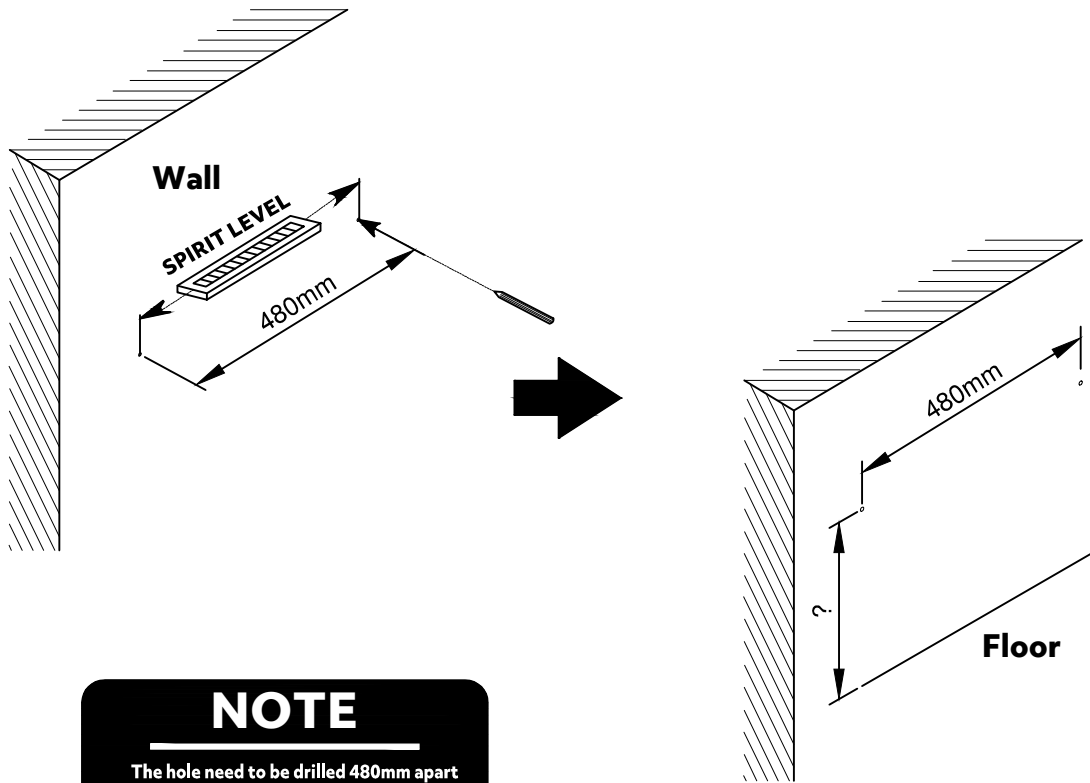
1



2



3



NOTE

The hole need to be drilled 480mm apart
Mark where the holes need to be drilled.
Use a spirit level to check that the fixings
are level.

4

