

H 2465 BP

Oven

modern design with networking and pyrolytic cleaning at great entry-level price.



- Clear text display with rotary controls – EasyControl Plus
- Minimal cleaning effort – Pyrolytic cleaning
- Network-enabled WiFi appliance – Miele@home
- Achieve perfect results with ease – automatic programmes
- Lots of room and flexibility – 76 l oven capacity on 5 levels

A+

EAN: 4002516642930 / Material number: 12143640 / Old Material Number: 22246505GB

Construction type and design	
Built-in oven	•
Appliance Colour	Obsidian black stainless steel effect
Convenience features	
Rapid heat-up	•
Operating modes	
Automatic programmes	•
Eco fan heat	•
Grill operating modes	•
Grill	•
Fan plus	•
Intensive bake	•
Conventional heat	•
Fan grill	•
User convenience	
Networking with Miele@home	•
Display	DirectSensor S
Minute minder	•
Recommended temperature	•
MultiLingua	•
Timer functions	•
Time of day display	•
Programmable start of cooking duration	•
Programmable end of cooking duration	•
Programmable cooking duration	•
Actual temperature display	•
Target temperature display	•
Buzzer when desired temperature is reached	•
Individual settings	•
Efficiency and sustainability	
Energy efficiency class (A+++ – D)	A+
Cleaning convenience	
Pyrolytic self-cleaning	•
CleanGlass door	•
Safety	
Appliance cooling system and touch-cool front	•
Safety switch-off	•
System lock	•
Door lock during pyrolytic cleaning	•
Technical data	
Oven compartment volume in l	76
No. of shelf levels	5
Number of shelf levels oven compartment 1	5
Number of shelf levels oven compartment 2	5
Numbered shelf levels	•
Oven light	1 halogen spot
Voltage in V	220-240
Number of phases	1
Electronic temperature regulation min. in °C	30

H 2465 BP

Oven

modern design with networking and pyrolytic cleaning at great entry-level price.



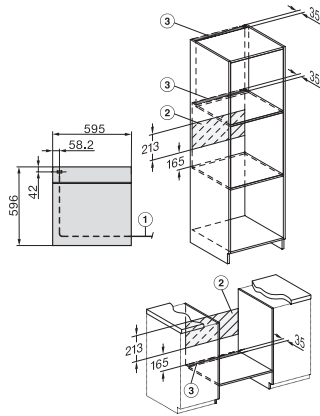
EAN: 4002516642930 / Material number: 12143640 / Old Material Number: 22246505GB

Electronic temperature regulation max. in °C	300
Niche width min. in mm	560
Niche width max. in mm	568
Niche height min. in mm	590
Niche height max. in mm	595
Niche depth in mm	550
Appliance width in mm	595
Appliance height in mm	596
Electronic steam oven temperature regulation min. in °C	30–300
Appliance depth in mm	568
Weight in kg	47.0
Total rated load in kW	3.60
Frequency in Hz	50
Fuse rating in A	16
Length of supply lead in m	1.50
Replacing lamps	Customer
<b>Accessories supplied</b>	
Universal tray with PerfectClean	1
Baking and roasting rack without PerfectClean	1
Removable side runners (pair)	1
Anti-splash insert with PerfectClean	1

## H 2465 BP

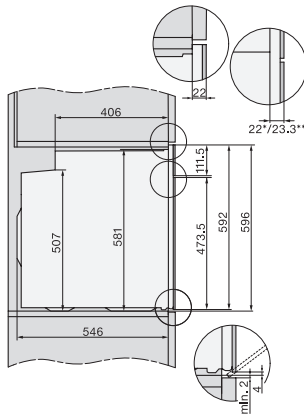
### Oven

modern design with networking and pyrolytic cleaning at great entry-level price.



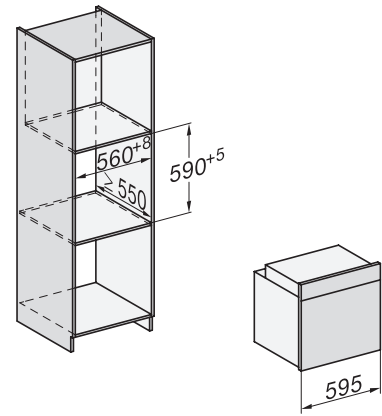
H226x-1B/BP/E/EP/I/IP, H2760B/BP, H28x0B/BP, H7x6xB/BP/BPX, installation drawings, GB, AUS

1) Netzanschlussleitung, L=1500 mm, 2) In diesem Bereich kein Anschluss, 3) Lüftungsausschnitt min. 150 cm<sup>2</sup>

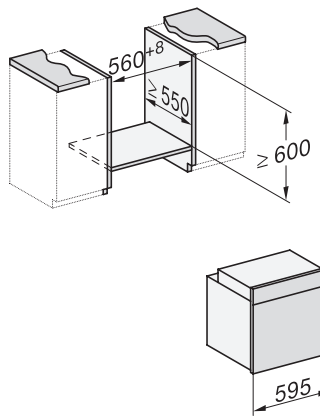


H2760B/BP, H28x0B/BP, H7x6xB/BP/BPX, installation drawings

22 mm – glass, 23.3 mm – metal

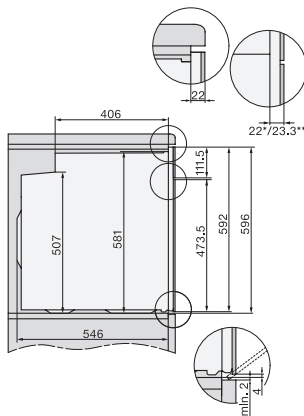


H226x-1B/BP/E/EP/I/IP, H2760B/BP, H28x0B/BP, H7x6xB/BP/BPX, installation drawings



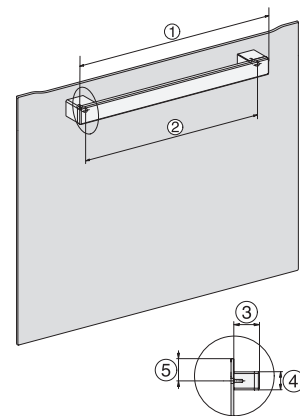
H226x-1B/BP/E/EP/I/IP, H2x6xB/BP, H7x6xB/BP/BPX, installation drawings

If the oven is to be installed under a hob, follow the instructions for installing the hob and the height of the hob.



H2760B/BP, H28x0B/BP, H7x6xB/BP/BPX, installation drawings

22 mm – glass, 23.3 mm – metal



H2465B, H2465BP, H2466B, H2466BP, H2467B, H2467BP, H2468B, H2468BP, installation drawings

EU, 1) 399,6 mm, 2) 360 mm, 3) 45 mm, 4) 31,8 mm, 5) 32,5 mm, , EX, 1) 399,6 mm, 2) 360 mm, 3) 45 mm , 4) 31.8 mm, 5) 32.5 mm