

KM 2010
Gas hob
with 4 burners

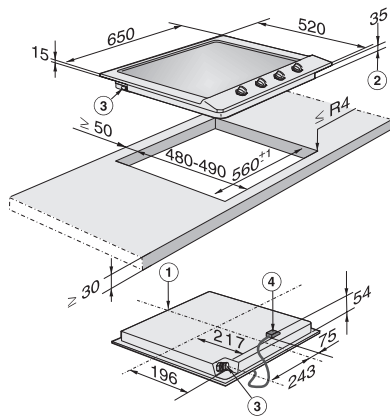


- Simple controls -single-handed operation via rotary dial control
- Professional design – 650 mm wide stainless steel trough
- Versatile – 4 burners
- Extremely safe – GasStop function
- Easy cleaning – dishwasher-safe ComfortClean pot rests

EAN: 4002514414041 / Material number: 07113300 / Old Material Number: 26201050GB

Heating type	
Heating type	Gas
Construction type	
Independent of cooker	•
Design	
Cast iron pot rests (matt black enamelled)	•
Stainless steel trough	•
Cooking zone details	
Number of cooking zones	4
1st cooking zone/cooking area	
Position	front left
Type	High-speed burner
Max. rating in W	2600
2nd cooking zone/cooking area	
Position	rear left
Type	Economy burner
Max. rating in W	1000
3rd cooking zone/cooking area	
Position	rear right
Type	Standard burner
Max. rating in W	1750
4th cooking zone/cooking area	
Position	front right
Type	Standard burner
Max. rating in W	1750
User convenience	
Operation via knobs	•
Electronic ignition with single-hand operation	•
Cleaning convenience	
Dishwasher-proof pot rests	•
PerfectClean burner	•
Safety	
GasStop	•
Technical data	
Dimensions (H x W x D) in mm	90 x 650 x 520
Dimensions in mm (width)	650
Dimensions in mm (height)	90
Dimensions in mm (depth)	520
Cutout dimensions in mm (width) with surface-mounted installation	560
Cutout dimensions in mm (depth) with surface-mounted installation	480
Weight in kg	13
Total rated load in kW	7.10
Length of supply lead in m	1.4
Voltage in V	220-240
Frequency in Hz	50-60
Accessories supplied	
Mains cable	No

KM 2010
Gas hob
with 4 burners



KM2010G (Installation drawing)

1. Front, 2. Building-in depth, 3. Gas connection R 1/2 - ISO 7-1 (DIN EN 10226), 4. Mains connection box with mains connection cable, L = 2000 mm