

# ALMA HIGH BACK CHAIR GREY / PINK

habitat 



## Spare Parts

 [www.argos-support.co.uk](http://www.argos-support.co.uk)

 [Help@ClickSpares.co.uk](mailto:Help@ClickSpares.co.uk)

 0370 112 1928

## Customer Support

 0345 640 2020



# Safety and Care Advice

---

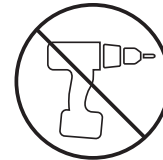
## Product Details

320/6399 Pink

465/7112 Grey

## IMPORTANT, RETAIN FOR FUTURE REFERENCE: READ CAREFULLY.

- Keep children and animals away from the work area, small parts could choke if swallowed.
- Make sure you have enough space to layout the parts before starting.
- This product has been constructed to be used in the domestic environment only and not for commercial purposes.
- Assemble the item as close to its final position (in the same room) as possible.
- Assemble on a soft level surface to avoid damaging the unit or your floor.
- We do not recommend the use of power drill/drivers for inserting screws as this could damage the unit. Only use hand screwdrivers.
- Parts of the assembly will be easier with 2 people.
- Dispose of all packaging carefully and responsibly.



## Care and maintenance

---

- Only clean using a damp cloth and mild detergent. Do not use abrasive cleaners.
- Use a dry cloth to clean the product, furniture polish is not recommended.
- From time to time check that there are no loose screws, nuts or bolts. If there are please re-tighten.
- This product should not be discarded with household waste. Take to your local authority waste disposal centre.

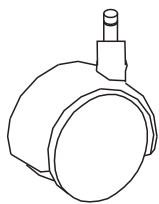
## Additional Guidance

---

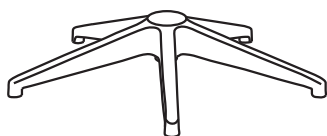
- Assemble all parts and bolts loosely during assembly, only once the product is complete should you fully tighten the bolts.
- Regularly check and ensure that all bolts and fittings are tightend properly.
- Maximum user weight 110kg
- This product is compliant EN12520

Sainsbury's Argos is a trading name of both: Argos Limited, Registered office: 489-499 Avebury Boulevard, Milton Keynes, United Kingdom, MK9 2NW, registered number: 01081551 (England and Wales); and Sainsbury's Supermarkets Limited, Registered office: 33 Holborn, London, EC1N 2HT, registered number: 03261722 (England and Wales). Both companies are subsidiaries of J Sainsbury's plc.

# Chair Panels



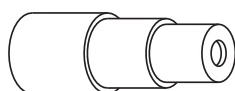
**1** Castors X5



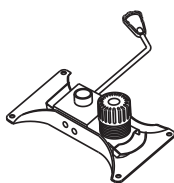
**2** Base X1



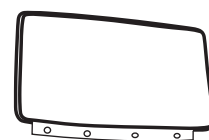
**3** Gas lift X1(100MM)



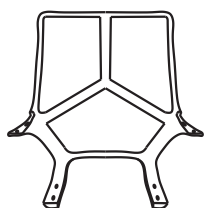
**4** Gas lift cover X1



**5** Seat plate X1



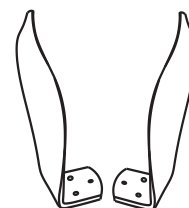
**6** Headrest X1



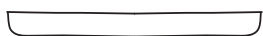
**7** Backrest X1



**8** Seat X1



**9** Armrest X2

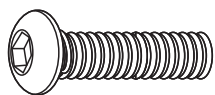


**10** Plastic plug x1

# Fittings (Shown to scale)

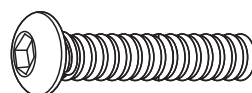
## Bag 1

**A**



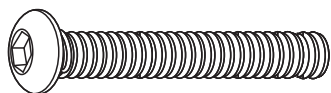
M6x20mm x 4

**B**



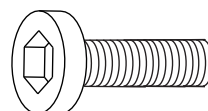
M6x25mm x 6

**C**



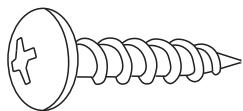
M6x35mm x 4

**D**



M6x16mm x 4

**E**



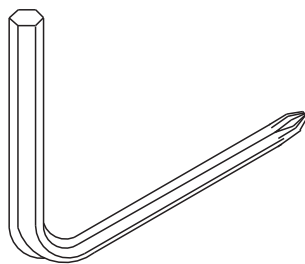
M5x18mm x 4

**F**



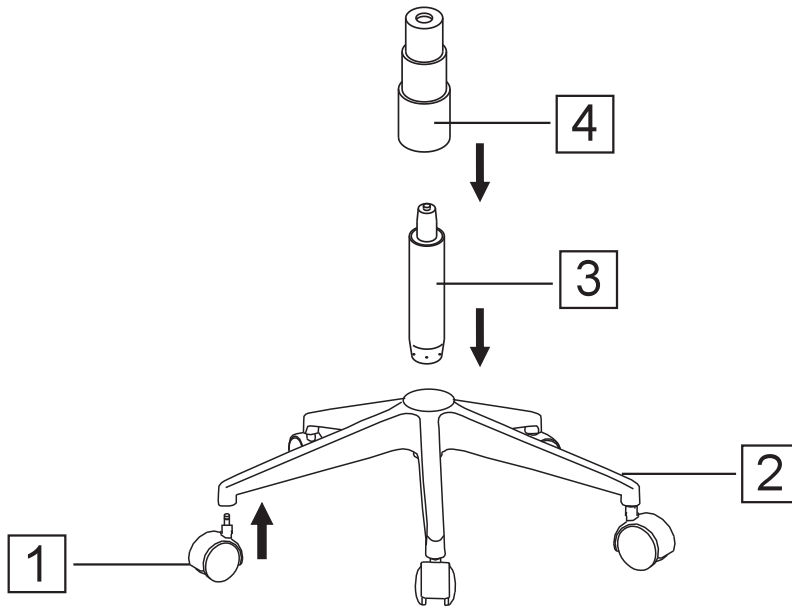
$\Phi 15^* \Phi 6^* 1.5\text{mmT} \times 10$

**G**

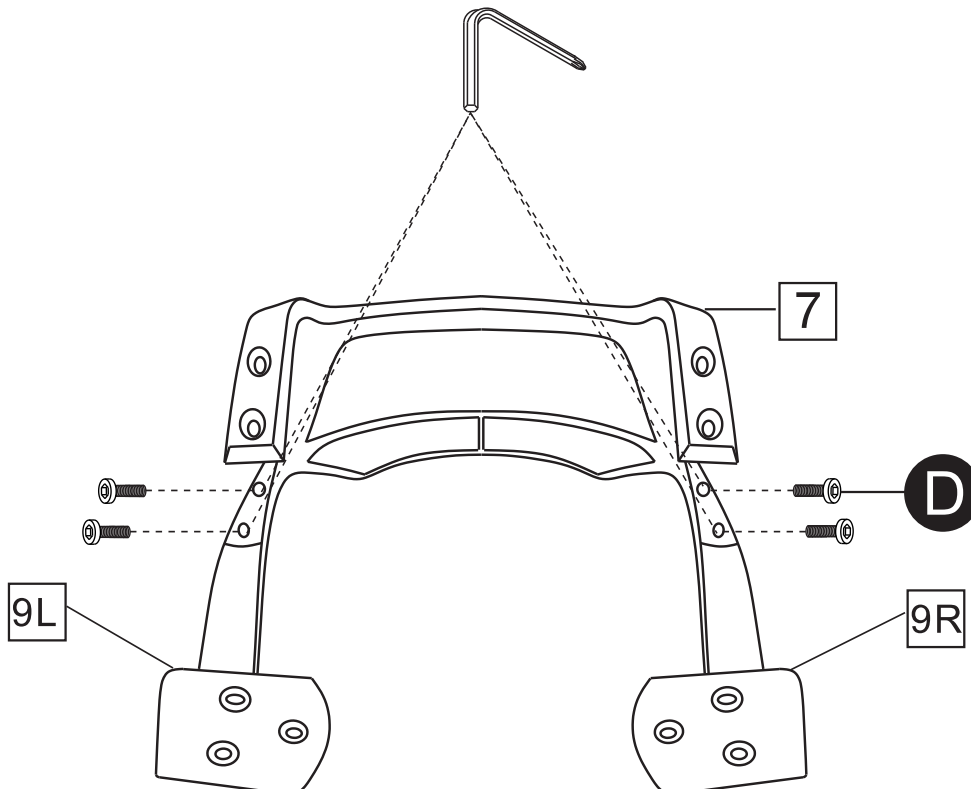
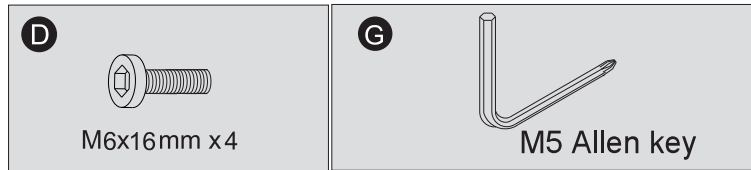
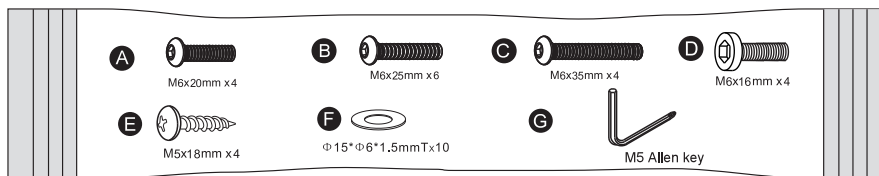


M5 Allen key

# 1



# 2



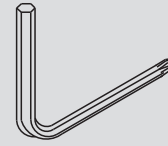
# 3

**A**

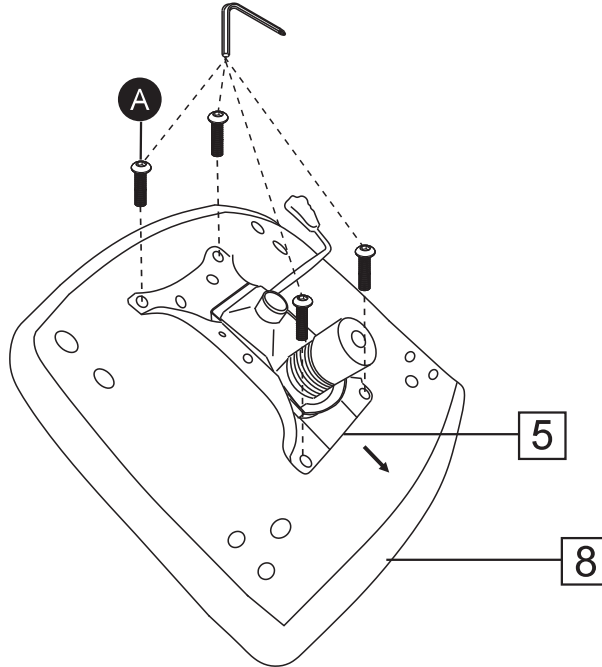


M6x20mm x4

**G**



M5 Allen key



# 4

**B**



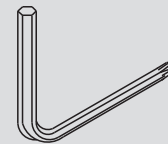
M6x25mm x6

**C**



M6x35mm x4

**G**

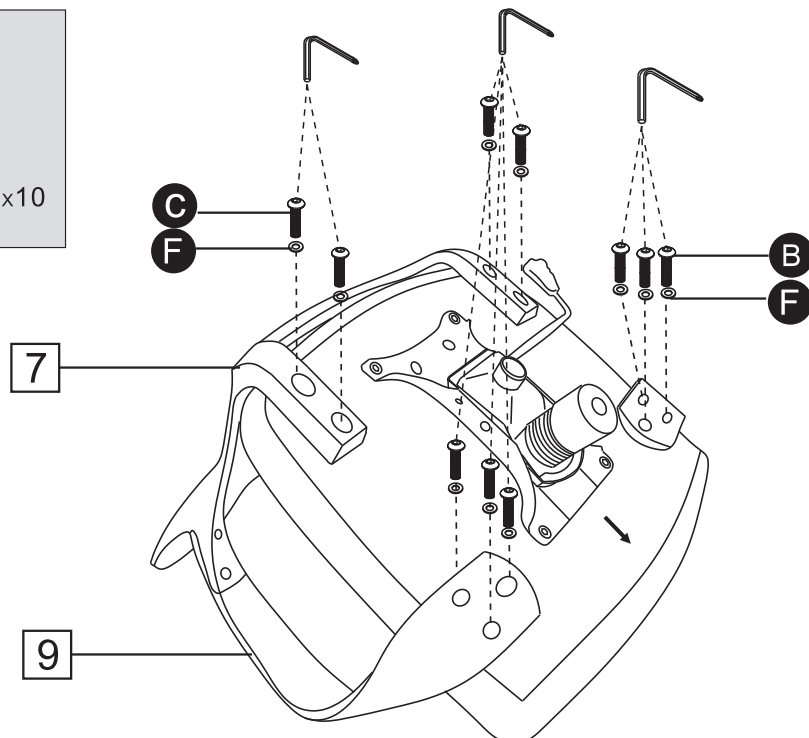


M5 Allen key

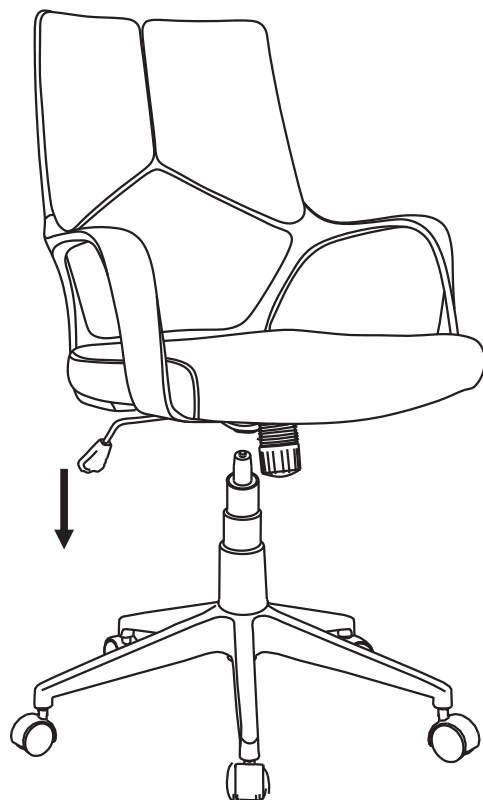
**F**



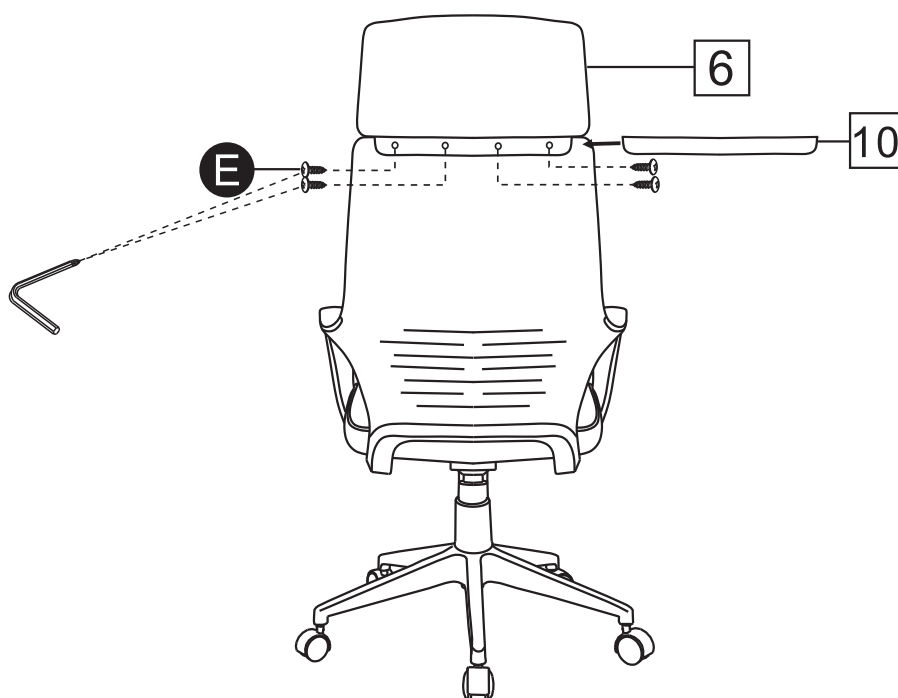
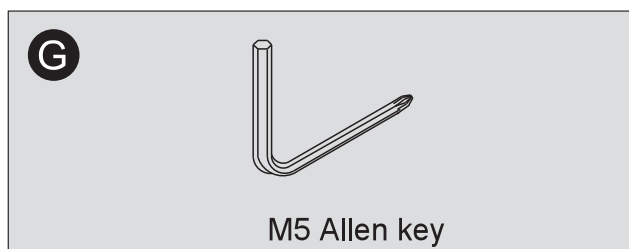
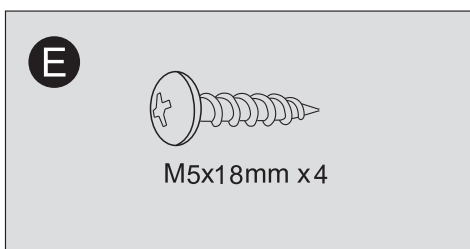
$\Phi 15^* \Phi 6^* 1.5\text{mmT} \times 10$



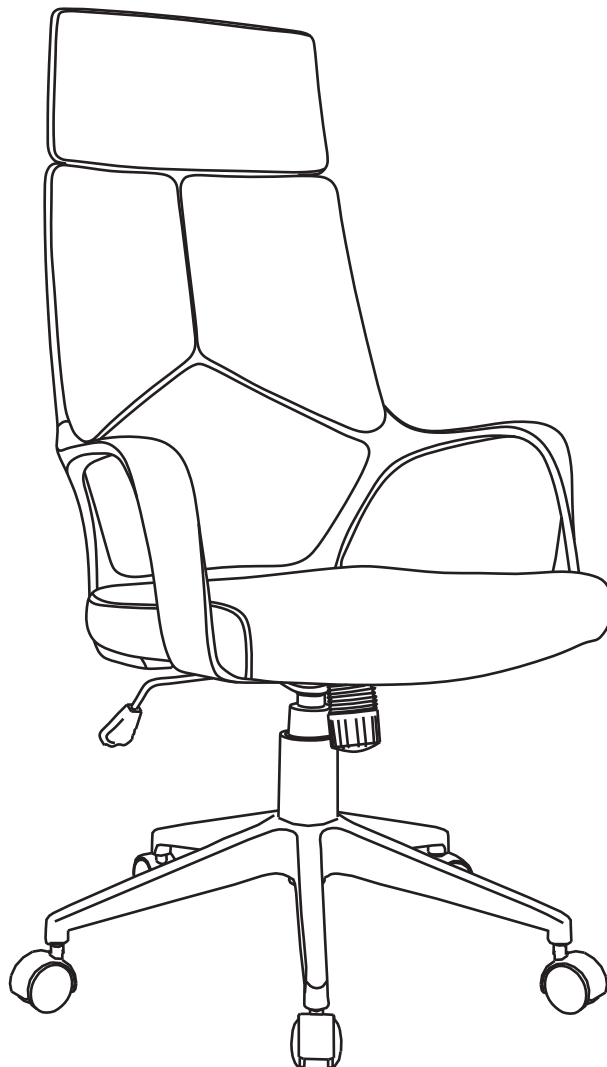
# 5



# 6



# 7



**Assemble is complete.**