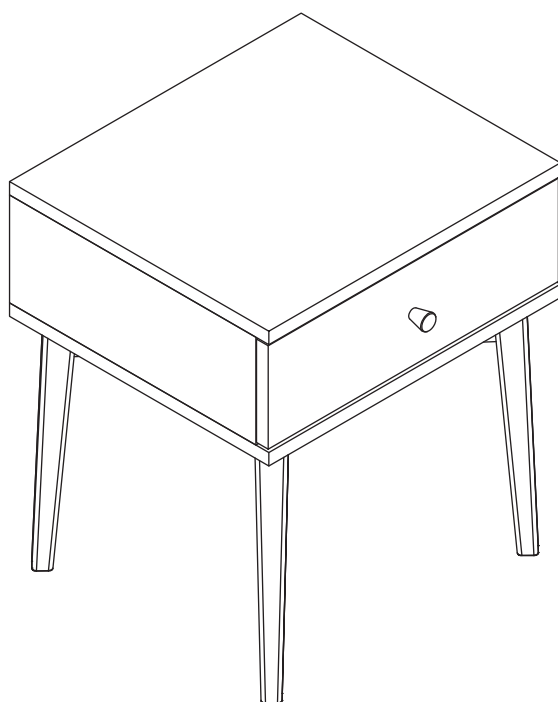


Kirk Bedside

habitat 



Spare Parts

 www.argos-support.co.uk

 Help@ClickSpares.co.uk

 0370 112 1928

Customer Support

 0345 640 2020



Safety and Care Advice

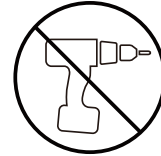
Product Details

Kirk 1 DRW Bedside 3205912 Walnut

Kirk 1 DRW Bedside 6793775 Oak

IMPORTANT, RETAIN FOR FUTURE REFERENCE: READ CAREFULLY.

- Keep children and animals away from the work area, small parts could choke if swallowed.
- Assemble the item as close to its final position (in the same room) as possible.
- Assemble on a soft level surface to avoid damaging the unit or your floor.
- We do not recommend the use of power drill/drivers for inserting screws as this could damage the unit. Only use hand screwdrivers.
- Make sure you have enough space to layout the parts before starting.
- Parts of the assembly will be easier with 2 people.
- This product has been constructed to be used in the domestic environment only and not for commercial purposes.
- Dispose of all packaging carefully and responsibly.



Care and maintenance

- Only clean using a damp cloth and mild detergent. Do not use abrasive cleaners.
- From time to time check that there are no loose screws, nuts or bolts. If there are please re-tighten.
- Use a dry cloth to clean the product, furniture polish is not recommended.
- This product should not be discarded with household waste. Take to your local authority waste disposal centre.

Additional Guidance

- Assemble all parts and bolts loosely during assembly, only once the product is complete should you fully tighten the bolts.
- Regularly check and ensure that all bolts and fittings are tightened properly.
- Maximum loading weight 27kg.
- This product is compliant EN14749,BS4875-7.
- Any additional or replacement parts are obtained from the manufacturer.

Fittings (Shown to scale)

Bag 1

A



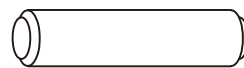
32mm Metal Dowel x16

B



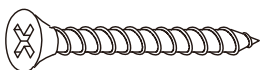
Locking Nut x16

C



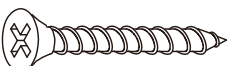
30mm Wooden Dowel x10

D



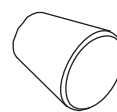
35mm Screw x4

E



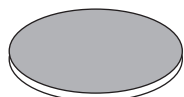
30mm Screw x1

F



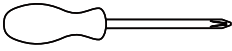
25mm Handle x1

G



Ø15mm Foot Pad x 4

Tools required

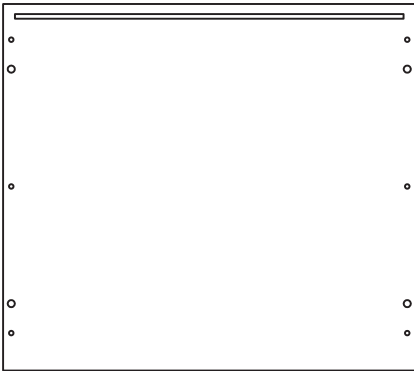


Phillips screwdriver
(small & medium)

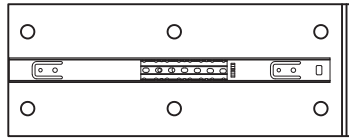


Phillips screwdriver
(small & medium)

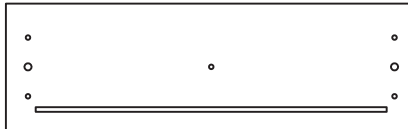
Panels



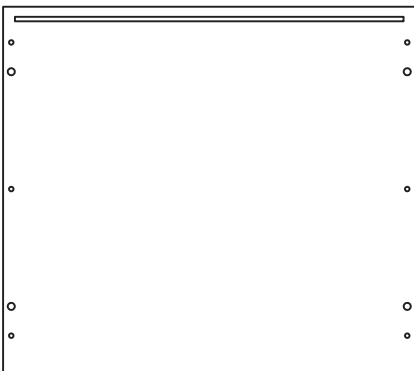
1 Top Panel x1
(450 x 400mm)



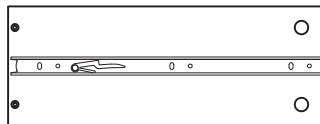
2 Side Panel x2
(380 x 144mm)



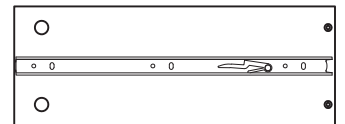
5 Drawer Front x1
(448 x 138mm)



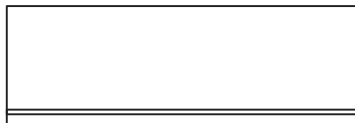
3 Bottom Panel x1
(450 x 400mm)



6 Left Side Drawer x1
(350 x 130mm)



7 Right Side Drawer x1
(350 x 130mm)



8 Drawer Back x1
(362 x 130mm)

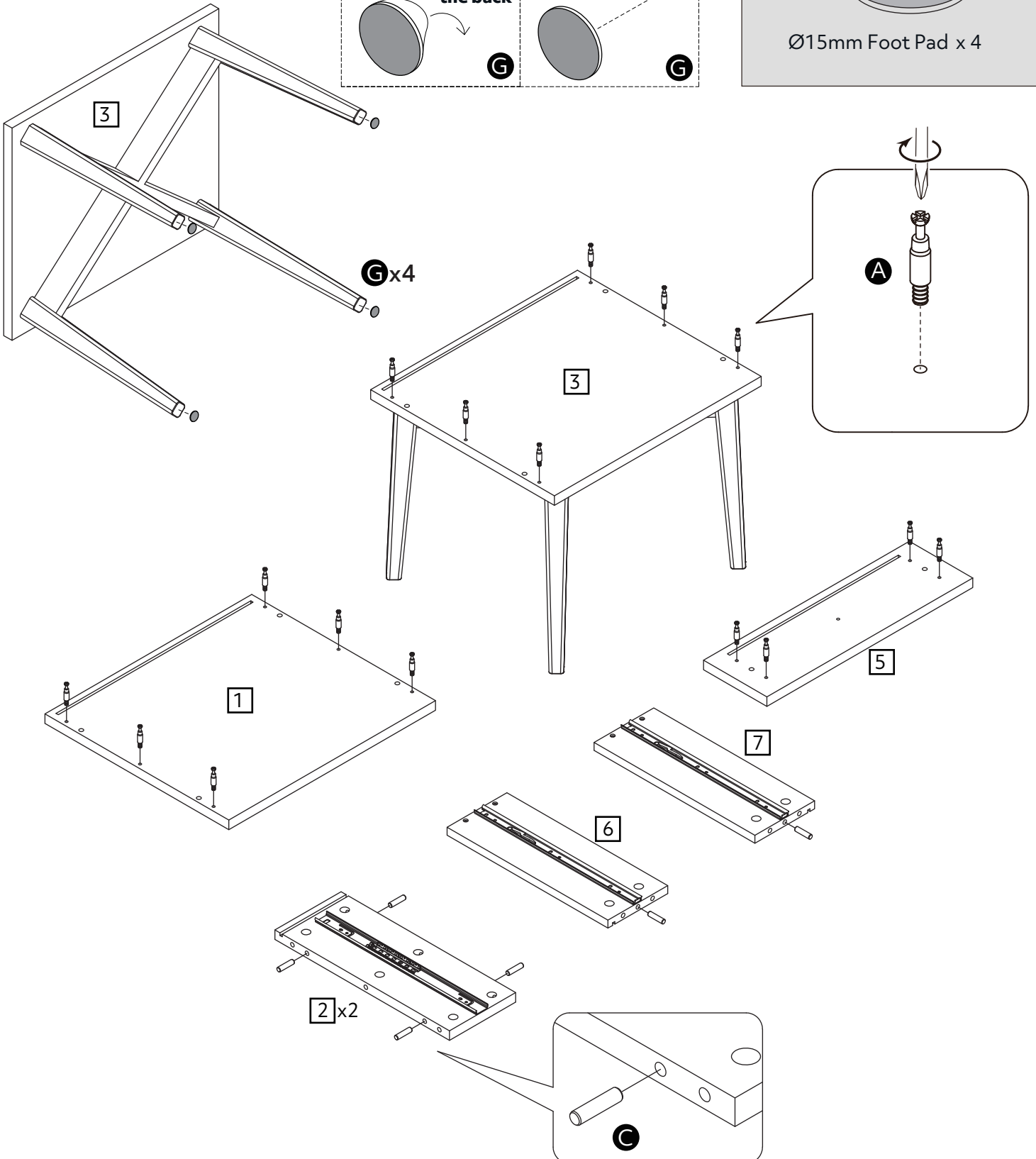
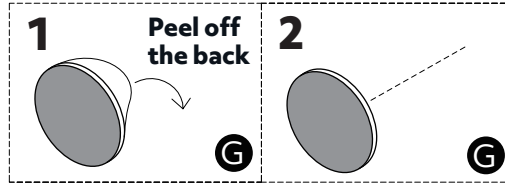
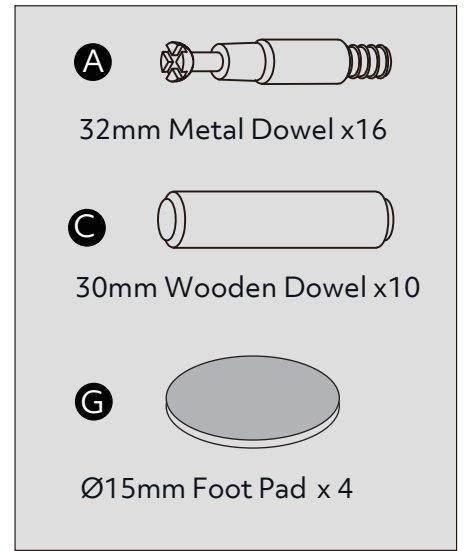
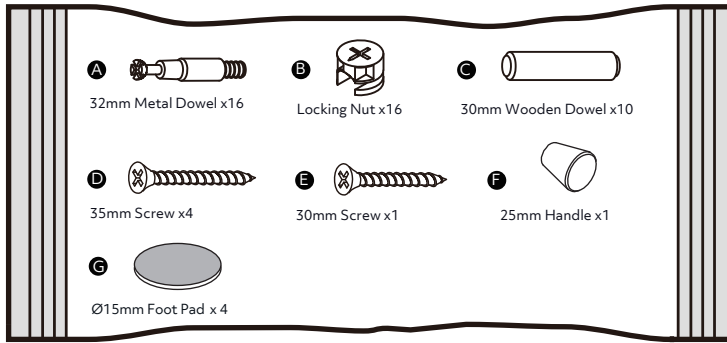


4 Back Panel x1
(422 x 154mm)

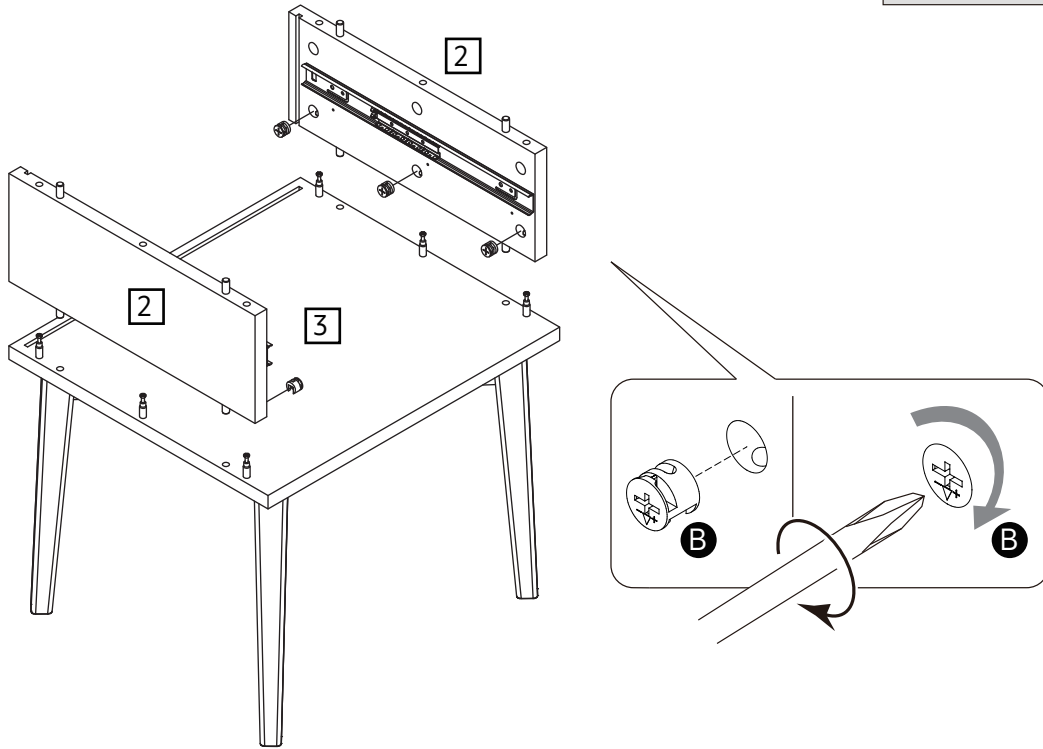


9 Drawer Bottom Panel x1
(372 x 343mm)

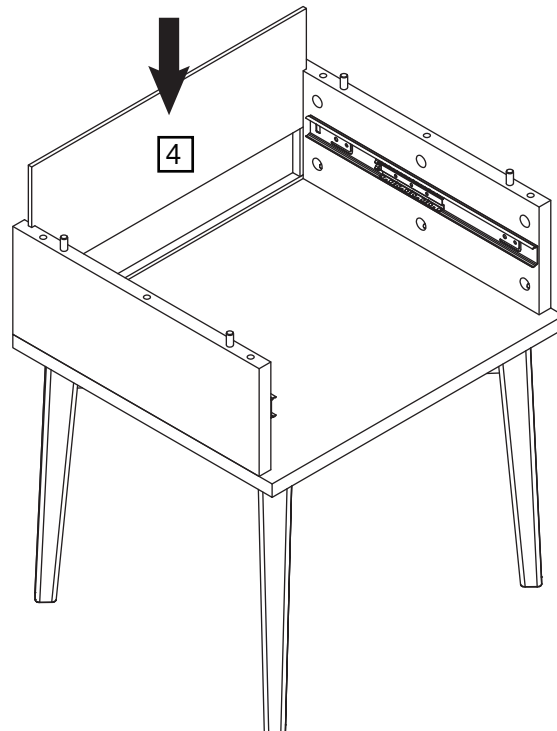
1



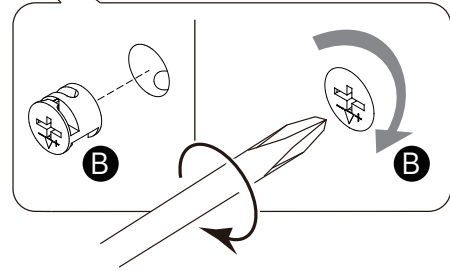
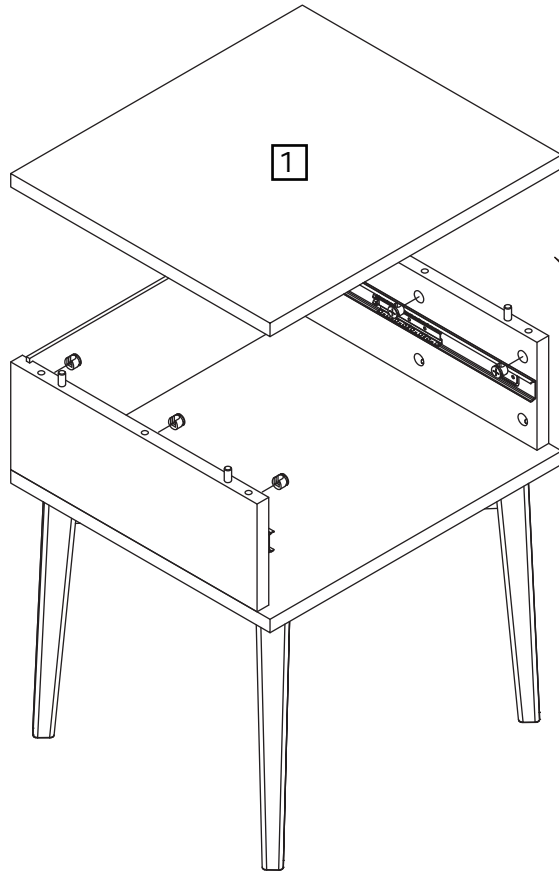
2



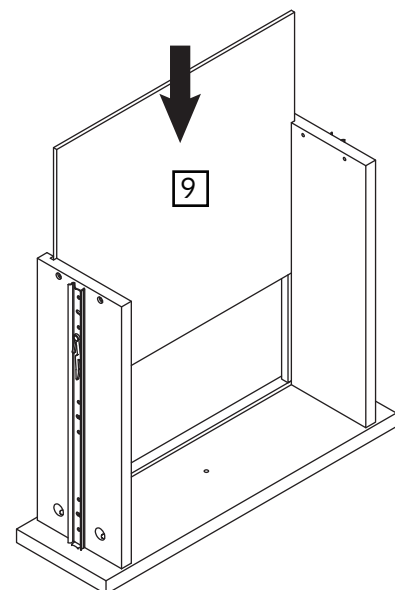
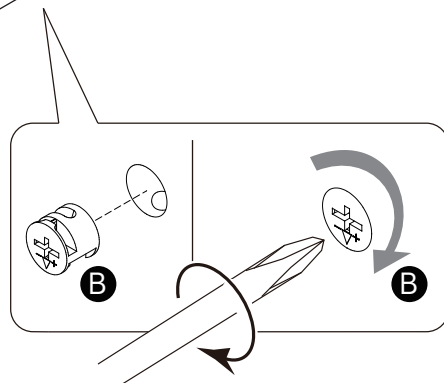
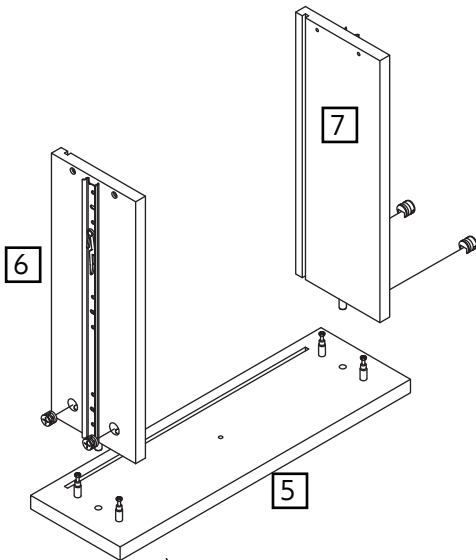
3



4

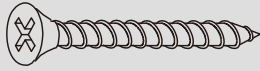


5



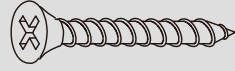
6

D



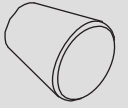
35mm Screw x4

E

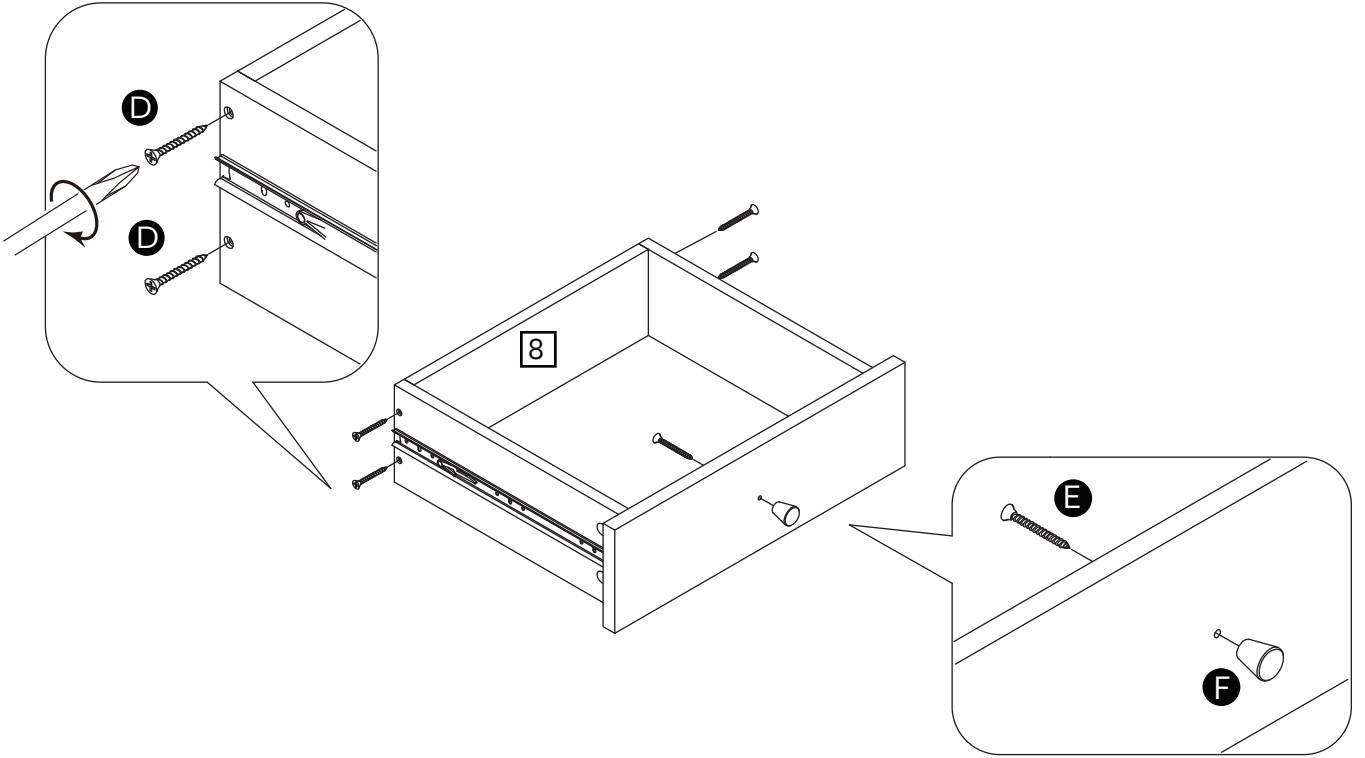


30mm Screw x1

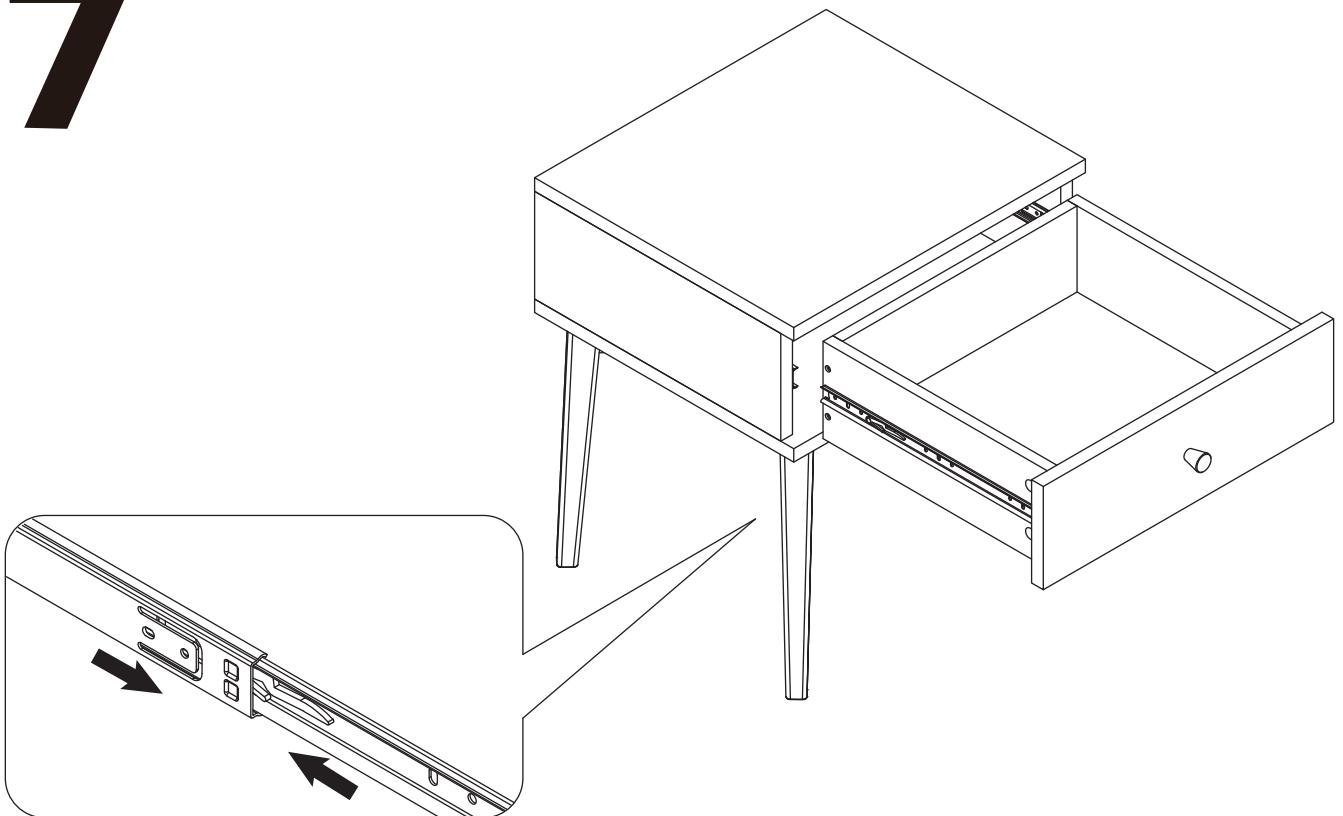
F



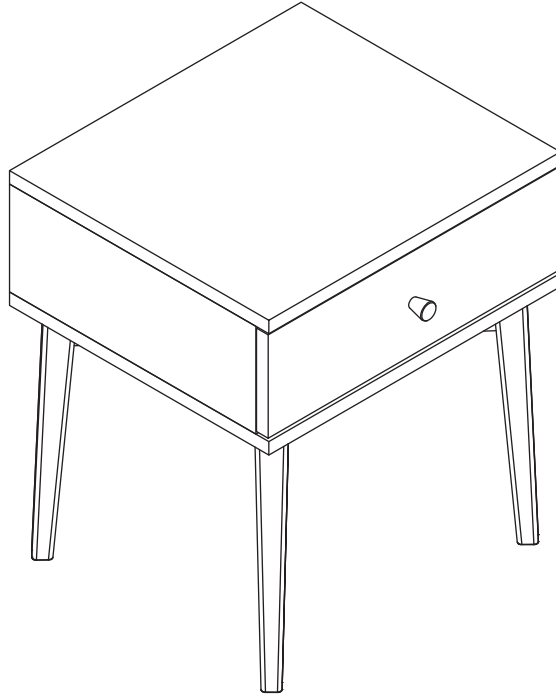
25mm Handle x1



7



8



Assembly is complete.