



ESTD. ENGLAND 1958



PRODUCT CODE: 191212-A

MICROWAVE OVEN



HADEN

ESTD. ENGLAND 1958

How can we help?

The Haden team is always interested in what you have to say, so why not get in touch?



Call us
01909 544 570



Email us
info@hadenappliances.com



Write to us
Team Haden, Sabichi Homewares Ltd,
Priorswell Rd, Worksop, S80 2BY



Visit us
www.haden.com

TABLE OF CONTENTS

INTRODUCTION	2
PRECAUTIONS	3
INSTALLATION	4
IMPORTANT SAFETY INSTRUCTIONS	5
GETTING STARTED	10
FOR THE FIRST USE	10
PRODUCT INTRODUCTION	11
OPERATION OF THE CONTROL PANEL	12
UTENSILS GUIDELINE	22
COOKING TIPS	23
CLEANING	24
MAINTENANCE	26
TECHNICAL SPECIFICATION	27

INTRODUCTION

Thank you for purchasing this product.

You may already be familiar with using a similar product, but please take time to read these instructions, they have been written to ensure you get the very best from your purchase.

Safety is Important

To ensure your safety and the safety of others, please ensure you read all these instructions paying particular attention to the Product safety and the Electrical Safety information before you operate product.

Keep this information in a safe place for future reference.

UNPACKING

Retain packaging in which the microwave oven was supplied so that in the event that the equipment needs to be returned it can be suitably repacked.

Open the packaging carefully and remove each item for inspection. Remove any protective film covering the microwave. Do not use a knife or sharp object otherwise you risk damaging the surface.

Check that all items have been supplied. The items supplied for this model of microwave oven are:

- Microwave oven
- Glass turntable
- Rotating axis
- User guide (this publication)

Inspect the microwave oven and power lead for any damage. If any damage is found do not use the oven. Contact the dealer where the product was purchased.

Read these instructions before using the oven.

PRECAUTIONS

To avoid possible exposure to microwave energy observe the following instructions. It is important that you do not disarm or tamper with the safety interlocks since this can result in harmful exposure to microwave energy.

- Do not place any objects between the front of the microwave oven and the door, or allow residues to accumulate on the sealing surfaces.
- Do not operate the oven if it is damaged in any way. It is particularly important that the oven door closes properly and that there is no damage to the (a) door-such as dents,(b)its hinges and latches or (c) the door seals and sealing surfaces.
- Do not install the oven over equipment that produces heat, such as a range cooker or cooking hob. Failure to follow this instruction could damage the microwave oven and would make the warranty void.
- Do not block the air intake and outlet vents. Do not place anything on top of the oven. Failure to comply can damage the oven.
- Do not remove the feet from the bottom of the oven.
- Never remove the mica cover that is installed to the oven inner right wall. This cover protects the magnetron.

Requirements

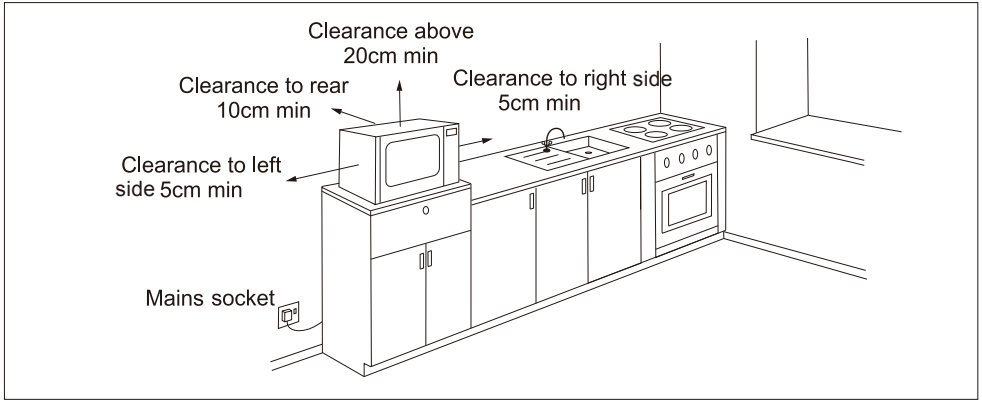
Ensure the voltage and frequency on the rating label of the oven is the same as that of the household power supply.

Place the oven as far from TVs and radios as possible, operation of the microwave oven can cause interference to your TV and radio reception. Select a horizontal surface that provides enough open space for the oven inlet and outlet vents and is strong enough to support the weight of the microwave oven.

Route the mains lead away from all hot and sharp surfaces. Do not trap the lead under the microwave.

Plug your oven into a standard outlet socket wired up as shown in the section entitled important safety instructions at the end of this guide.

INSTALLATION



Installation of microwave oven

- 1) To ensure sufficient ventilation, the distance of the back of microwave to the wall should be at least 10cm, the side to the wall should be at least 5cm, the free distance above the top surface at least 20 cm.
- 2) Do not place any objects on the top of microwave oven.
- 3) The position of the oven shall be such that it is far from the TV, Radio or antenna as picture disturbance or noise may occur.
- 4) The appliance must be positioned so that the plug is accessible.
- 5) The microwave oven is intended to be used freestanding and shall not be placed in a cabinet.

IMPORTANT SAFETY INSTRUCTIONS

Power source

You should only plug your microwave oven into a 220-240V AC 50Hz supply.

Using the oven

READ THIS SECTION TO BE AWARE OF THE RISK OF BURNS, ELECTRIC SHOCK, FIRE, PERSONAL INJURY AND EXPOSURE TO EXCESSIVE MICROWAVE ENERGY.

- Read all the operating instructions in this user guide before using the microwave oven, close supervision is necessary when used in the presence of children.
- Do not use the microwave oven for any other purpose than food preparation or for sterilizing purposes.
- Do not use the microwave for home canning, microwave ovens are not designed for canning improperly canned food may spoil and be dangerous to eat.
- Do not cook any food surrounded by a membrane such as egg yolk, potatoes, chicken livers etc. without first piercing several times
- Do not insert any object into the openings on the outer case
- Do not remove any parts such as feet, couplings or screws from the microwave oven.
- Do not cook directly on the glass tray, place food in a microwave safe dish before placing it in the microwave oven.
- Do not use metal pans or dishes with metal handles
- Do not use anything with a metal trim.
- Do not use melamine dishes as they will absorb microwave energy, this will cause the dish to crack or char and slow down the cooking process
- Do not cook in containers with restricted opening for example soft drinks bottles may exploded if heated in a microwave oven.

- Always test the temperature of food cooked in a microwave especially if you are heating food/liquid for a baby, always allow it to stand for a few minutes and stir the food/liquid to distribute the heat evenly.
- Only use thermometers specifically designed for microwave cooking
- Do not attempt to deep fry food in the microwave oven
- Food containing a mixture of fat and water should stand for 30 to 60 seconds in the oven after it has been turned off. This is to allow the mixture to settle and to prevent bubbling when a spoon is placed in the food/liquid.
- Always follow the cooking instructions in your cookbook. Some foods e.g. Christmas puddings, jam, and mincemeat heat up very quickly.
- The microwave oven must be earthed.
- This microwave oven should only be used for the purpose it was intended.
- Do not operate the oven when empty.
- Always have the glass tray and roller ring in place when operating the oven.
- Always follow the cooking instructions in your cookbook or those supplied with the food.
- When cooking foods with a high fat or sugar content do not use plastic containers.
- Do not use the microwave oven with a damaged lead or plug or after the appliance has malfunctioned or has been damaged. Return to the nearest authorized service centre for repair.
- Paper bags may catch fire in the oven.
- Plastic foam containers may melt or contaminate the food or liquid inside when exposed to high temperatures.

- Wood will dry out when used in the microwave oven and may split or crack.
- If smoke is observed, switch off and unplug the appliance and keep the door closed in order to stifle any flames.
- Microwave heating of beverages can result in delayed eruptive boiling, therefore care must be taken when handling the container.
- Make sure the voltage in your living area corresponds to the one shown on the rating label of the appliance. And the wall socket is properly grounded.
- To reduce the risk of fire in the oven cavity:
 - a. Do not overcook the food.
 - b. Remove wire twist -ties from paper or plastic bags before placing bags in the oven.
 - c. Do not heat oil or fat for deep frying as the temperature of oil cannot be controlled.
 - d. After use wipe the waveguide cover with a damp cloth, followed by dry cloth to remove any food splashes and grease. Built -up grease may overheat and begin to cause smoke or catch fire.
 - e. If materials inside the oven should smoke or ignite, keep oven door closed, turn oven off and disconnect the power supply.
 - f. When heating food in plastic or paper containers, keep an eye on the oven due to the possibility of ignition.

To reduce the risk of explosion and sudden boiling:

WARNING: Liquids and other foods must not be heated in sealed container since they are liable to explode; Babybottles fitted with a screw cap or teat are considered to be sealed containers.

- a. Use a wide -mouthed container to cook liquid, and the cooked liquid should not be removed immediately. Several moments should be waited before removing. In order to avoid possible hazards caused by delayed eruptive boiling of liquids.
- b. Potatoes, sausage and chestnut should be peeled or pierced before cooking. Eggs in their shell, whole hard -boiled eggs should not be heated in microwave ovens since they may explode, even after microwave heating has ended.
- c. The contents of feeding bottles and baby food jars are to be stirred or shaken and the temperature is to be checked before consumption, in order to avoid burns.

- If the supply cord is damaged, it must be replaced by the manufacturer or its service agent or a qualified technician in order to avoid a shock hazard.
- After cooking, the container is very hot. Use gloves when removing food and avoid steam burns by directing steam away from the face and hands.
- Slowly lift the furthest edge of dishes cover and microwave plastic wrap and carefully open popcorn and oven cooking bags away from the face.

To prevent the turntable from breaking:

- a. Let the turntable cool down before cleaning.
 - b. Do not place hot foods or utensils on the cold turntable.
 - c. Do not place frozen foods or utensils on the hot turntable.
 - d. Make sure the utensils do not touch the interior walls during cooking.
 - e. Only use utensils that are suitable for use in microwave ovens.
 - f. Do not store food or any other things inside the oven.
 - g. Do not operate the oven without any liquid or food inside the oven. This could damage the oven.
- Children should only use the oven under adult supervision due to the temperatures generated.
 - Any accessories not recommended by the manufacturer may cause injuries to persons.
 - **Do not use outdoors.**
 - Save these instructions.

WARNING: If the door or door seals are damaged or the oven is malfunctioned, the oven must not be operated until it has been repaired by a competent person;

WARNING: It is hazardous for anyone other than a competent person to carry out any service or repair operation that involves the removal of the waveguide cover which gives protection against exposure to microwave energy; Never remove the wave guide cover.

- If smoke is emitted, switch off or unplug the appliance and keep the door closed in order to stifle any flames;
- Microwave heating of beverages can result in delayed eruptive boiling;

therefore care must be taken when handling the container;

- The oven should be cleaned regularly and any food deposits must be removed.
- Do not use harsh abrasive cleaners or sharp metal scrapers to clean the oven door glass since they can scratch the surface, which may result in shattering of the glass.
- The appliances are not intended to be operated by means of an external timer or separate remote -control system.
- This appliance is intended to be used in household only.
- The microwave oven is intended for heating food and beverages. Drying of food or clothing and heating of warming pads, slippers, sponges, damp cloth and similar may lead to risk of injury, ignition or fire.
- This appliance can be used by children aged from 8 years and above and persons with reduced physical, sensory or mental capabilities or lack of experience and knowledge if they have been given supervision or instruction concerning use of the appliance in a safe way and understand the hazards involved. Children shall not play with the appliance. Cleaning and user maintenance shall not be made by children unless they are older than 8 and supervised. Keep the appliance and its cord out of reach of children less than 8 years.
- This appliance is not intended for use by persons (including children) with reduced physical, sensory or mental capabilities, or lack of experience and knowledge, unless they have been given supervision or instruction concerning use of the appliance by a person responsible for their safety.
- Children should be supervised to ensure that they do not play with the appliance.
- A steam cleaner is not to be used.
- The door or the outer surface may get hot when the appliance is operating.

WARNING: Accessible parts may become hot during use. Young children should be kept away.

- During use the appliance becomes hot. Care should be taken to avoid touching heating elements inside the oven.

- The surfaces are liable to get hot during use.



: **CAUTION: HOT SURFACE**

Household use only

GETTING STARTED

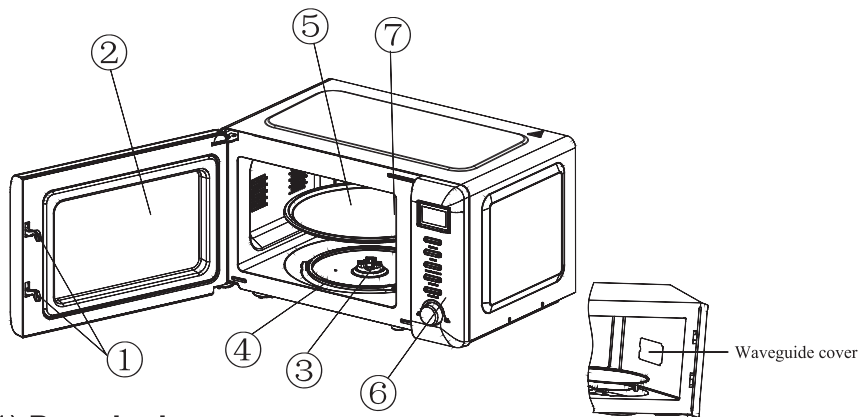
Check the oven for any damage, in particular, check there is no damage to the door (such as dents), its hinges and latches and the door seals and sealing surfaces. Do not operate the oven if it is damaged in any way. It is particularly important that the oven door is not misaligned and that it closes properly.

DO NOT INSTALL THE OVEN IF IT IS DAMAGED. THE OVEN SHOULD ONLY BE REPAIRED BY QUALIFIED SERVICE PERSONNEL.

FOR THE FIRST USE

As there is manufacturing residue or oil remaining on the oven cavity or heat element, you may experience a slight odour or light smoke effect on initial use. This is normal and should disappear after several uses. Keep the door or window open to ensure good ventilation.

PRODUCT INSTRUCTION



1) Door lock

Microwave oven door must be properly closed in order for it to operate

2) Viewing window

Allow user to see the cooking status

3) Rotating axis

The glass turntable sits on the axis; the motor underneath it drives the turntable to rotate

4) Rotating ring

The glass turntable sits on its wheels; it supports the turntable and helps it to balance when rotating

5) Turntable

The food sits on the turntable, its rotation during operation helps to cook food evenly

CAUTION

- Place the rotating ring first
- Fit the turntable onto the rotating axis and make sure that it is geared in properly

6) Control panel

See below in details (the control panel is subject to change without prior notice)

7) Waveguide cover

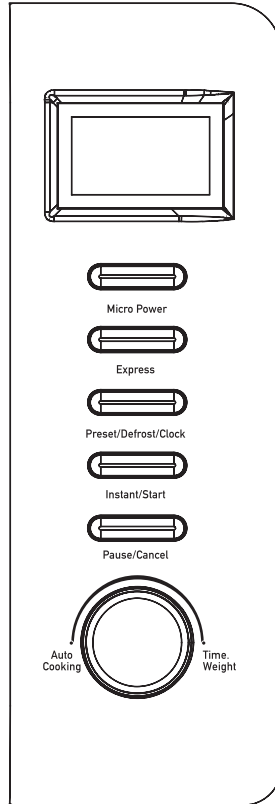
It is inside the microwave oven, next to the wall of control panel.



WARNING

Never remove the waveguide cover.

OPERATION OF CONTROL PANEL



1. BEFORE COOKING

The LED flashes 3 times when plugged in power supply. Then it flashes “:”, prompting you to input the cooking menu and time.

2. AUTO COOKING/ TIME.WEIGHT KNOB

You can increase or decrease cooking time, weight or choose the auto cooking menu during operation by turning **Auto cooking /Time.Weight** knob.

3. PAUSE/CANCEL

At the initial or input stage: press once to cancel input programs and resume initial stage.

During cooking: press once to stop oven operation, press twice to cancel cooking programs.

4. AUTO REMINDER

When your preset cooking procedure have finished, the LED display will show **End** and three beeps sound will be heard to prompt you to take out food. If you do not press **Pause/Cancel** button once or open the door, the beep will be sounded at an interval of 3 minutes.

5. CLOCK SETTING

Clock button make it available for you to input current or preset time when “:” flashes onto LED display after plugged in, or try to skip it over to continue if unnecessary.

CAUTION

1. On standby state, press and hold **Preset/Defrost/Clock** button about 3 seconds, the oven will enter clock state; if press **Preset/Defrost/Clock** button once, the oven will enter setting defrost menu automatically.
2. After setting the current time, set the desired cooking menu and cooking time, then press and hold **Preset/Defrost/Clock** button about 3 seconds, the oven will enter preset state.

Example: to set 12:30		
	Steps	Display
1	After power-up, the colon flashes	:
2	Press Preset/Defrost/Clock button for 3 seconds	00:00
3	Turn Auto Cooking/ Time. Weight knob to set exact hours.	12:00
4	Press Preset/Defrost/Clock button once again.	12:00
5	Turn Auto Cooking/ Time. Weight knob to set exact minutes.	12:30
6	Press Preset/Defrost/Clock button once again or wait for 5 seconds, and the numbers will go steadily.	

6. MICROWAVE COOKING

This function is used to cooking and heating food. Pressing **Micro Power** button, LED cycles to show 100P — 80P — 60P — 40P — 20P.

100P	High power	100% microwave power. Applicable for quick and thorough cooking
80P	Medium High power	80% microwave power. Applicable for medium express cooking
60P	Medium power	60% microwave power. Applicable for steaming food
40P	Medium Low power	40% microwave power. Applicable for defrosting food
20P	Low power	20% microwave power. Applicable for keeping warm

CAUTION

- a. The max time which can be set is 60 minutes
- b. Never operate the oven empty.
- c. If you turn the food during operation, press the **Instant/Start** button once and the preset cooking procedure will continue.
- d. If you intend to remove the food before the preset time, you must press **Pause/Cancel** button once to clear the preset procedure to avoid unintended operation of next time use.
- e. At the maximum microwave power, the oven will automatically lower the power after a certain time of cooking to lengthen the service life.

Example: To cook at P80 for 10 minutes.		
	Steps	Display
1	After power-up, the colon flashes	:
2	Select the desired microwave power by pressing Micro Power button consecutively	80P
3	Set cooking time by turning Auto Cooking/Time. Weight knob	10:00
4	Press Instant/Start button to start and LED will count down to show running time.	

7. EXPRESS COOKING

Press **Express** button LED display will cycle to show 0:30, 1:00, 1:30.

This function will allow you to heat a cup of water or beverage conveniently, omitting the steps of setting time. Choose the proper time depending on the beverage capacity.

Example: To cook with express for 1 minute		
	Steps	Display
1	After power-up, the colon flashes	:
2	Press Express button consecutively to select desired menu	1:00
3	Start cooking by pressing Instant/Start button	

8. DEFROST

This function use for defrost food. Press the **Preset/Defrost/Clock** button and the LED display will cycle to show d.1-d.2-d.3.

d.1	For defrosting meat, that weighs between 0.1 to 2.0 kg.
d.2	For defrosting poultry, that weighs between from 0.2 to 3.0kg.
d.3	For defrosting seafood, that weighs between 0.1 to 0.9kg.

CAUTION

- a. It is necessary to turn over the food during operation to obtain uniform effect.
- b. Usually defrosting will need longer time than that of cooking the food.
- c. If the food can be cut by knife, the defrosting process can be considered completed.
- d. Microwave penetrates around 4cm into most food
- e. Defrosted food should be consumed as soon as possible, it is not advised to put back to fridge and freeze again.

Example: To defrost 0.4kg poultry		
	Steps	Display
1	After power-up, the colon flashes	:
2	Press Preset/Defrost/Clock button to set the food kind.	d.2
3	Turn Auto Cooking/ Time. Weight knob to set the defrost weight	0.4
4	Start cooking by pressing Instant/Start	
5	In half way during defrosting beep sounds will be heard to prompt you turn over the food. Open the door and turn over the food. Then close the door. Press Instant/start button again to continue defrosting.	

9. AUTO COOKING

The oven has default cooking menu for simple operation. When the LED flash colon, turn the **Auto Cooking** knob and LED will cycle to show A.1, A.2 A.8

Choose the appropriate menu according to the food type and weight and strictly observe the directions in below table, otherwise the cooking effect will be largely influenced.

Display	Kind	Method
A.1	Popcorn	Display is suitable for popping an 85g bag of corn. Follow the guidelines recommended on the packaging.

A.2	Popcorn	Same as A.1 except 100g weight
A.3	Pizza	Warm a piece of chilled pizza of 0.15kg
A.4	Beverage	Heating a cup of 250 ml liquid. The liquid temperature is about 5-10°C. Use a big mouth cup and do not seal
A.5	Beverage	Heating a cup of 500 ml liquid. The liquid temperature is about 5-10°C. Use an open mouthed container there should not be a screwed seal cap
A.6	Potato	Cooking the potato cubes (chopped), cut into 10mm width and height, length. Total weight is about 450g. Place the cubes on a large dish and cover the dish to prevent water loss
A.7	Potato	Same as A.6 except the weight of potato cubes (chopped) is about 650g
A.8	Fish	Suitable for steaming a fish of 0.45kg. After the fish washed and scales removed, make a slits on the skin of fish .Put the fish on a shallow dish of 22-27cm diameter sprinkle lightly with some ingredient and cover the dish with a thin film to prevent water loss. After cooking, stand for 2 minutes.

CAUTION

- The temperature of food before cooking would be 20-25°C. Higher or lower temperature of the food before cooking would require increase or decrease of cooking time.

b. The temperature, weight and shape of food will largely influence the cooking effect. If any deviation has been found to the factor noted on above menu, you can adjust the cooking time for best result.

Example: Steam 0.45kg fish		
	Steps	Display
1	After power-up, the colon flashes	:
2	Turn Auto Cooking/ Time. Weight knob to set the cooking menu	A.8
3	Start cooking by pressing Instant/Start button and LED will count down to show running time.	

10. AUTOMATIC STARTING (DELAYED FUNCTION)

If you do not want the menu be started immediately, you can preset the cooking menu and time and the preset menu will be automatically started at your set time. The setting will consist of 2 steps:

1. Setting the current clock;
2. Setting the cooking menu and time.

Example: Now it is 12:30 clock, if you hope that the microwave oven will automatically start cooking with 100P microwave power for 9 minutes and 30 seconds at 14:20		
	Steps	Display
1	After power-up, the colon flashes	:
1.1	Press Preset/Defrost/Clock button for 3 seconds	00:00

1.2	Set hours by turning Auto Cooking/ Time. Weight knob	12:00
1.3	Press Preset/Defrost/Clock button again to confirm hours	12:00
1.4	Set minutes by turning Auto Cooking/ Time. Weight knob	12:30
1.5	Press Preset/Defrost/Clock button once or waiting for 5 seconds, and the numbers will go steady.	12:30
2	Set the cooking menu and time	
2.1	Select cooking power by pressing Micro Power button	100P
2.2	Turn Auto Cooking/ Time. Weight knob to set cooking time	9:30
2.3	Press and hold Preset/Defrost/Clock button for 3 seconds to enter preset state.	
3	Set the time you expect to start. Repeat the steps of 1.2, 1.3, 1.4	
4	Press Preset/Defrost/Clock button to confirm the delayed menu. Now the program has been activated. And the menu will be started at 14:20.	
5	You may check the preset starting time by pressing Preset/Defrost/Clock button.	

11. MULTI-SEQUENCE COOKING

To obtain best cooking result, some recipes call for different cook mode and time. You may program your personalized menu as follow:

Example: You want cook food with 100P microwave for 3 minutes then 20P for 9 minutes. This is 2 sequence setting.		
	Steps	Display
1	100P microwave for 3min	
1.1	Press Micro Power button to select power level.	100P
1.2	Turn Auto Cooking/ Time. Weight knob to set cooking time.	3:00
2	20P for 9min	
2.1	Press Micro Power button to select desired menu	20P
2.2	Turn Auto Cooking/ Time. Weight knob to set cooking time.	9:00
3	Start cooking by pressing Instant/Start	

CAUTION

- a. When microwave 100 power cooking is finished, microwave oven will begin next operation automatically.
- b. Max 4 sequences can be set per time, repeat the steps

12. CHILD LOCK FUNCTION

Use this feature to lock the control panel when you are cleaning or so that children can not use the oven unsupervised. All the buttons are rendered inoperable in this mode.

- 1) Set lock: Hold **Pause/Cancel** button about 3 seconds.
- 2) Cancel lock: Hold **Pause/Cancel** button about 3 seconds.

UTENSILS GUIDELINE

It is strongly recommended to use the containers which are suitable and safe for microwave cooking. Generally speaking, the containers which are made of heat-resistant ceramic, glass or plastic are suitable for microwave cooking. Never use the metal containers for microwave cooking and combination cooking as spark is likely to occur. You can take the reference of below table.

Material of container	Microwave	Notes
Heat-resistant ceramic	Yes	Never use the ceramics which are decorated with metal rim or glazed
Heat-resistant plastic	Yes	Can not be used for long time microwave cooking
Heat-resistant glass	Yes	
Plastic film	Yes	It should not be used when cooking meat or chops as the over-temperature may do damage to the film
Grill rack	No	
Metal container	No	It should not be used in microwave oven. Microwave can not penetrate through metal.
lacquer	No	Poor heat-resistant. Can not be used for high-temperature cooking
Bamboo wood and paper	No	Poor heat-resistant. Can not be used for high-temperature cooking

COOKING TIPS

The following factors may affect the cooking result:

Food arrangement

Place thicker areas towards outside of dish, the thinner part towards the centre and spread it evenly. Do not overlap if possible.

Cooking time length

Start cooking with a short time setting, evaluate it after it times out and extend it according to the actual need. Over cooking may result in smoke and burns.

Cooking food evenly

Food such as chicken, hamburger or steak should be turned once during cooking.

Depending on the type of food, if applicable, stir it from outside to centre of dish once or twice during cooking

Allow standing time

After cooking times out, leave the food in the oven for an adequate length of time, this allows it to complete its cooking cycle and cooling it down in a gradual manner

Whether the food is done

Color and hardness of food help to determine if it is done, these include:

- Steam coming out from all parts of food, not just the edge
- Joints of poultry can be moved easily
- Pork or poultry shows no signs of blood
- Fish is opaque and can be sliced easily with a fork

Browning dish

When using a browning dish or self-heating container, always place a heat-resistant insulator such as a porcelain plate under it to prevent damage to the turntable and rotating ring.

Microwave safe plastic wrap

When cooking food with high fat content, do not allow the plastic wrap come into contact with food as it may melt

Microwave safe plastic cookware

Some microwave safe plastic cookware might not be suitable for cooking foods with high fat and sugar content. Also, the preheating time specified in the dish instruction manual must not be exceeded.

CLEANING

MICROWAVE OVEN CARE

CAUTION

The oven should be cleaned regularly and any food deposits removed.

WARNING

1. Remove the power cord from the wall outlet before cleaning. Don't immerse the appliance in water or other fluids when cleaning.
2. Failure to maintain the oven in a clean condition could lead to deterioration of the surface that could adversely affect the life of the appliance and possibly result in a hazardous situation
3. Never use hard detergent, gasoline, abrasive powder or metal brush to clean any part of the appliance
4. Do not remove the waveguide cover
5. When the microwave oven has been used for a long time, there may be some strange odors exist in oven, Following 3 methods can get rid of them:
 - a. Place several lemon slices in a cup, then heat with high Micro Power for 2-3 min.
 - b. Place a cup of red tea in oven, then heat with high micro power.

c. Put some orange peel into oven, and then heat them with high Micro Power for 1 minute.

6. WARNING: Only allow children to use the oven without supervision when adequate instructions have been given so that the child is able to use the oven in a safe way and understands the hazards of improper use;

TIPS FOR CLEANING

Details for cleaning door seals, cavity and adjacent parts:

Exterior:

Wipe the enclosure with a dampened soft cloth

Door:

Using a dampened soft cloth, wipe clean the door and window

Wipe the door seals and adjacent parts to remove any spill or spatter

Wipe the control panel with a slightly dampened soft cloth

Interior walls:

Wipe clean the cavity with a dampened soft cloth

Wipe clean the waveguide cover to remove any food splashed

Turntable/ Rotation ring/ Rotation axis:

Wash with mild soap water

Rinse with clean water and allow drying thoroughly

MAINTENANCE

SERVICING

Please check the following before calling for services.

1. Place one cup of water (approx.150ml) in a glass measure in the oven and close the door securely. Oven lamp should go off if the door is closed properly. Let the oven work for 1 min.
2. Does the oven lamp light?
3. Does the cooling fan work?
(Put your hand over the rear ventilation openings.)
4. Does the turntable rotate?
(The turntable can rotate clockwise or counter clockwise. This is quite normal.)
5. Is the water inside the oven hot?

If “NO” is the answer to any of the above questions, please check your wall socket and the fuse in your meter box.

If both the wall socket and the fuse are functioning properly, CONTACT YOUR NEAREST SERVICE CENTER APPROVED.

SERVICING SAFEGUARDS

Caution: MICROWAVE RADIATION

1. The high voltage capacitor remains charge after disconnection; short the negative terminal of H. V capacitor to the oven chassis (use a screwdriver) to discharge before touching.
2. During servicing below listed parts are liable to be removed and give access to potentials above250V to earth.
 - Magnetron
 - High voltage transformer
 - High voltage capacitor
 - High voltage diode
 - High voltage fuse

3. The following conditions may cause undue microwave exposure during servicing.

Improper fitting of magnetron;

Improper matching of door interlock, door hinge and door;

Improper fitting of switch support;

Door, door seal or enclosure has been damaged.

TECHICAL SPECIFICATION

Model Number	191212-A
Power Supply	220-240V~ 50Hz
Power Consumption (Microwave)	1280W
Rated Microwave Output	800W
Operation Frequency	2450MHz

Correct Disposal of this product



This marking indicates that this product should not be disposed with other household wastes throughout the EU. To prevent possible harm to the environment or human health from uncontrolled waste disposal, recycle it responsibly to promote the sustainable reuse of material resources. To return your used device, please use the return and collection systems or contact the retailer where the product was purchased. They can take this product for environmental safe recycling.



5 Wadsworth Road, Perivale, Middlesex UB6 7JD
20 Harcourt Street, Dublin, D02 H364



HADEN

ESTD. ENGLAND 1958