

Minato

habitat




Spare Parts

 www.argos-support.co.uk

 Help@ClickSpares.co.uk

 0370 112 1928

Customer Support

 0345 640 2020

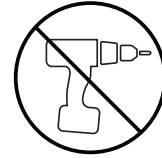


Safety and Care Advice

Product Details White - 320/1662

IMPORTANT, RETAIN FOR FUTURE REFERENCE: READ CAREFULLY.

- Keep children and animals away from the work area, small parts could choke if swallowed.
- Assemble the item as close to its final position (in the same room) as possible.
- Assemble on a soft level surface to avoid damaging the unit or your floor.
- We do not recommend the use of power drill/drivers for inserting screws as this could damage the unit. Only use hand screwdrivers.
- Parts of the assembly will be easier with 2 people.
- Dispose of all packaging carefully and responsibly.



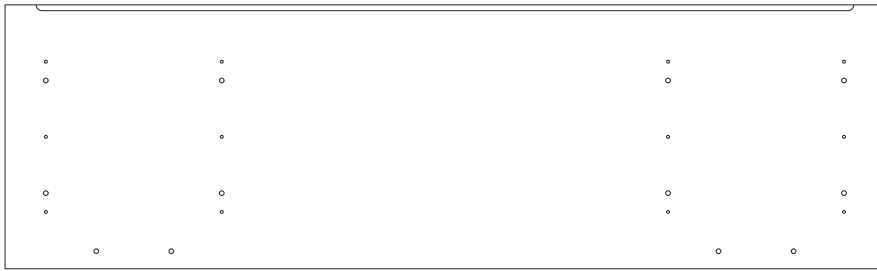
Care and maintenance

- Use a dry cloth to clean the product, furniture polish is not recommended.
- From time to time check that there are no loose screws, nuts or bolts. If there are please re-tighten.
- This product should not be discarded with household waste. Take to your local authority waste disposal centre.

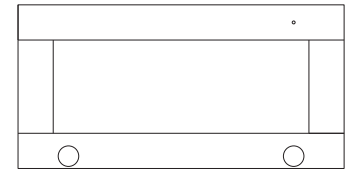
Additional Guidance

- Assemble all parts and bolts loosely during assembly, only once the product is complete should you fully tighten the bolts.
- Regularly check and ensure that all bolts and fittings are tightened properly.
- This product is compliant BS 4875-7, BS 12521 and EN 14749.

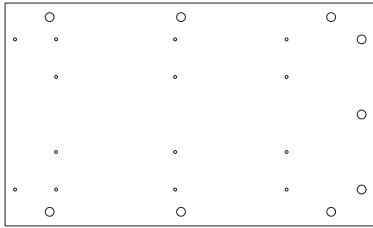
Panels



1 Top panel
(1500 x 450mm)



7 Door
(556 x 279mm)



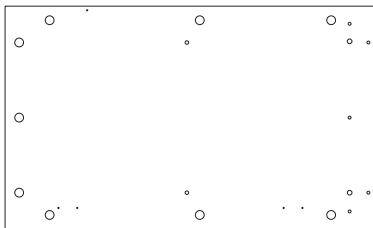
2 Right side panel
(632 x 380mm) (x2)



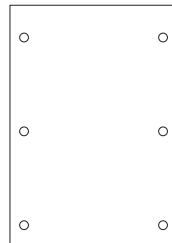
8 Center back panel
(744 x 196mm)



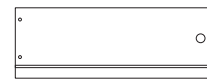
13 Drawer bottom
(340 x 245mm) (x3)



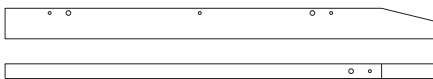
3 Left side panel
(632 x 380mm) (x2)



9 Base panel
(285 x 408mm)



14 Drawer right side
(340 x 120mm) (x3)



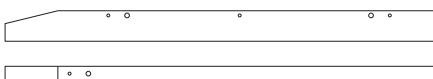
4 Right column
(732 x 52mm) (x4)



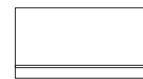
10 Shelf
(284 x 398mm)



15 Drawer left side
(340 x 120mm) (x3)



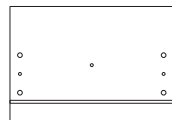
5 Left column
(732 x 52mm) (x4)



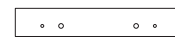
16 Drawer back
(230 x 120mm) (x3)



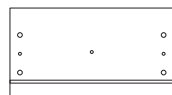
6 Side back panel
(605 x 314mm) (x2)



11 Larger drawer front
(279 x 200mm) (x2)



17 Top frame
(284 x 48mm) (x2)



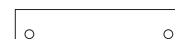
12 Smaller drawer front
(279 x 150mm)



18 Bottom side frame
(379 x 48mm) (x4)



19 Bottom front frame
(285 x 52mm) (x2)



20 Cross rail
(285 x 52mm)

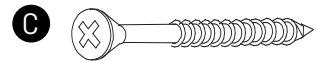
Fittings



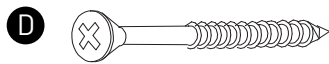
A
12mm Screw x 18
8999



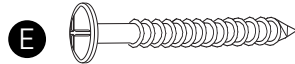
B
14mm Screw x 14
9001



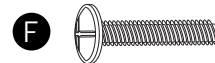
C
30mm Screw x 18
9004



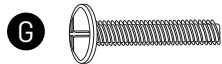
D
35mm Screw x 12
9006



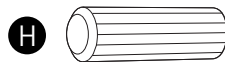
E
30mm Screw x 2
9005



F
22mm Screw x 3
9122



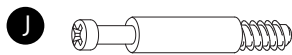
G
25mm Screw x 1
9123



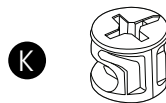
H
8x20 Wooden Dowel x 4
10000B



I
8x30 Wooden Dowel x 46
10001



J
Metal Dowel x 54
4001



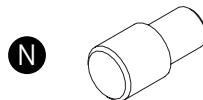
K
Locking nut x 54
4101



L
10mm Screw x 12
9101



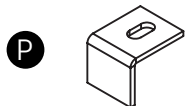
M
Handle x 4



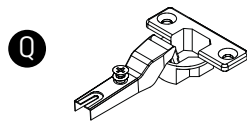
N
Shelf Support x 4
11100



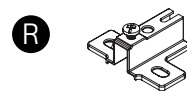
O
Door stop x 1



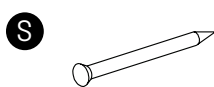
P
Metal bracket x 1



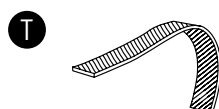
Q
Hinge x 2
1003A



R
Hinge support x 2
1007



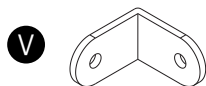
S
Nail x 34
5000



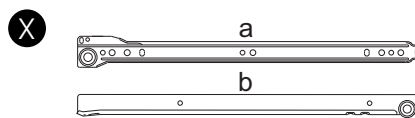
T
Wall Strap x 1



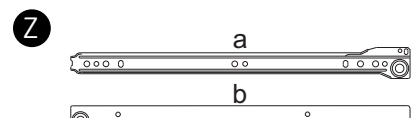
U
Washer x 2
11152



V
Metal bracket x 2
3001

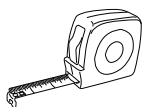


X
Left runner x 3
8000



Z
Right runner x 3
8000

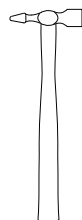
Tools required



Ruler/tape
measure



Phillips screwdriver
(small & medium)

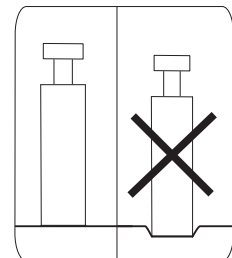
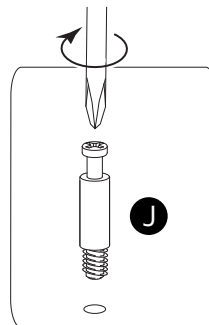
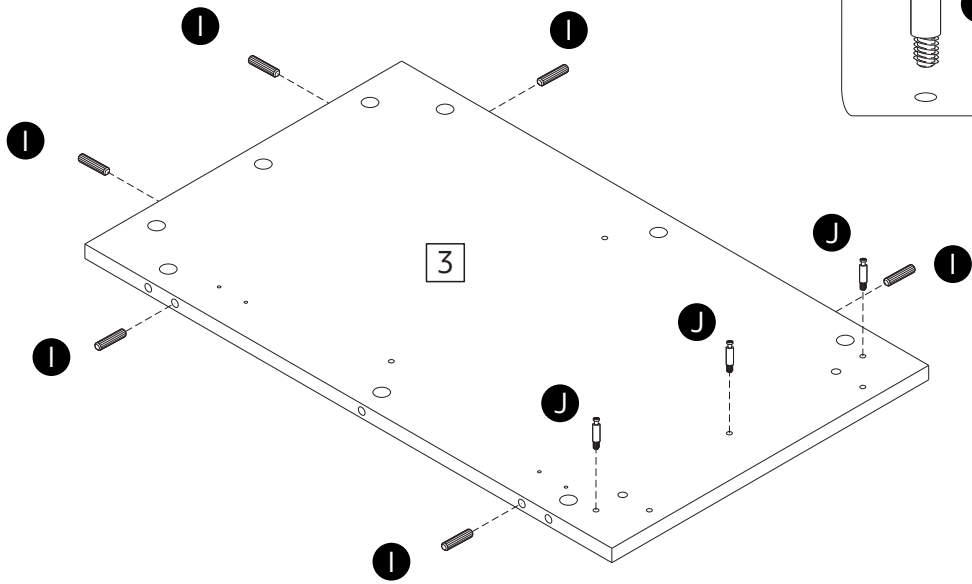
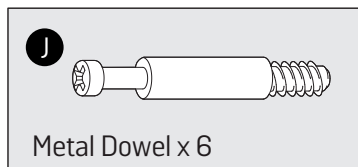
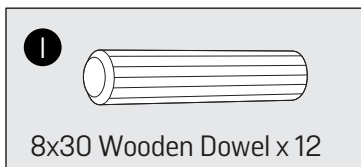
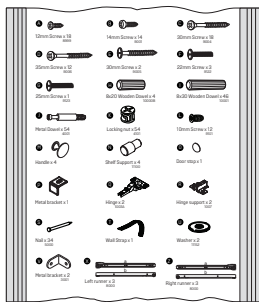


Small
hammer



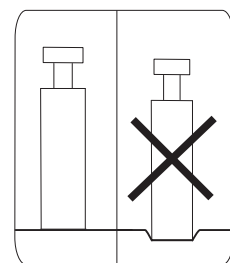
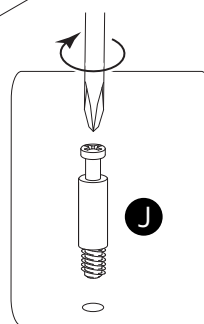
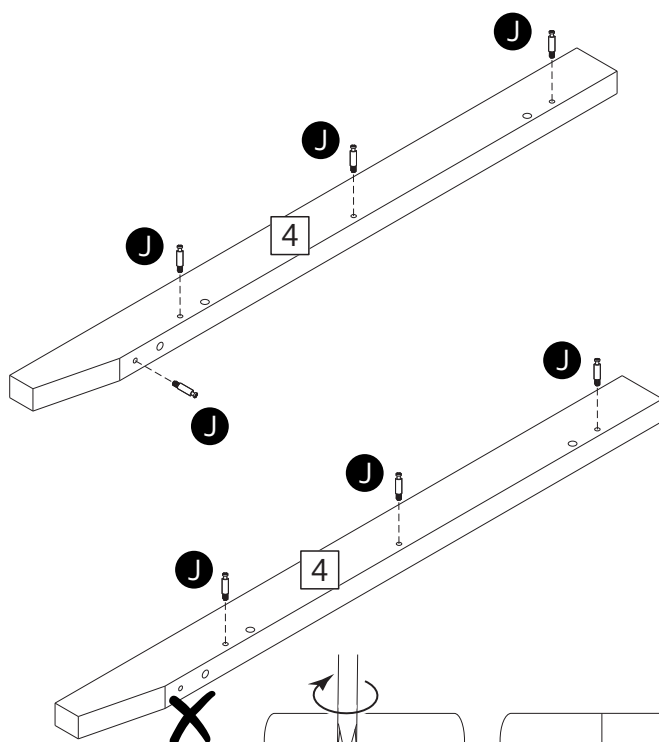
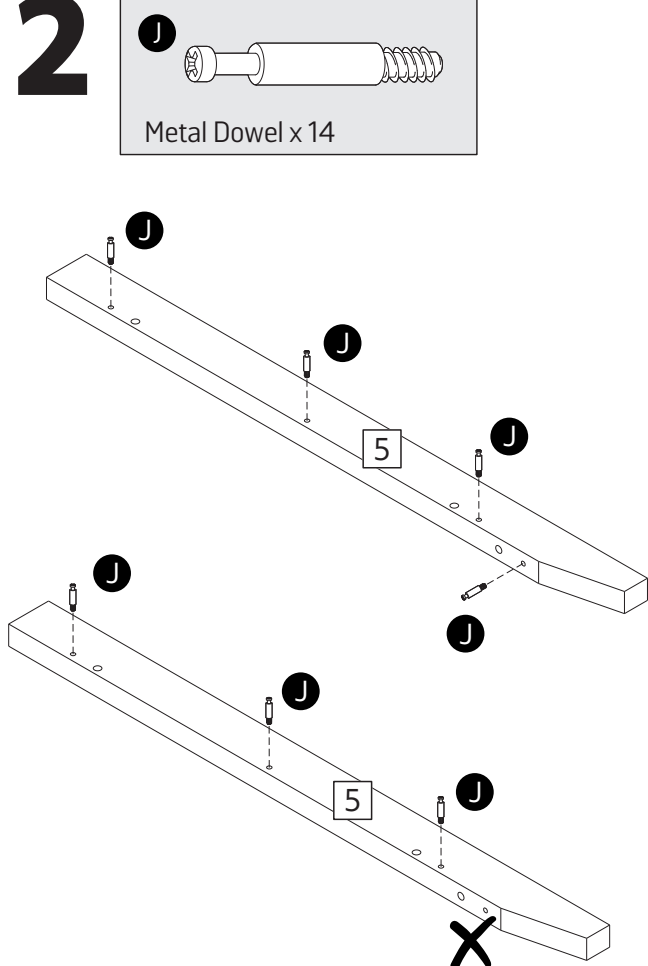
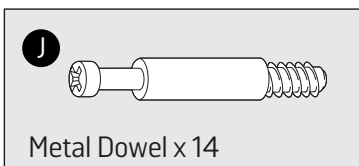
Eye protection
(when using a
hammer or glue)

1

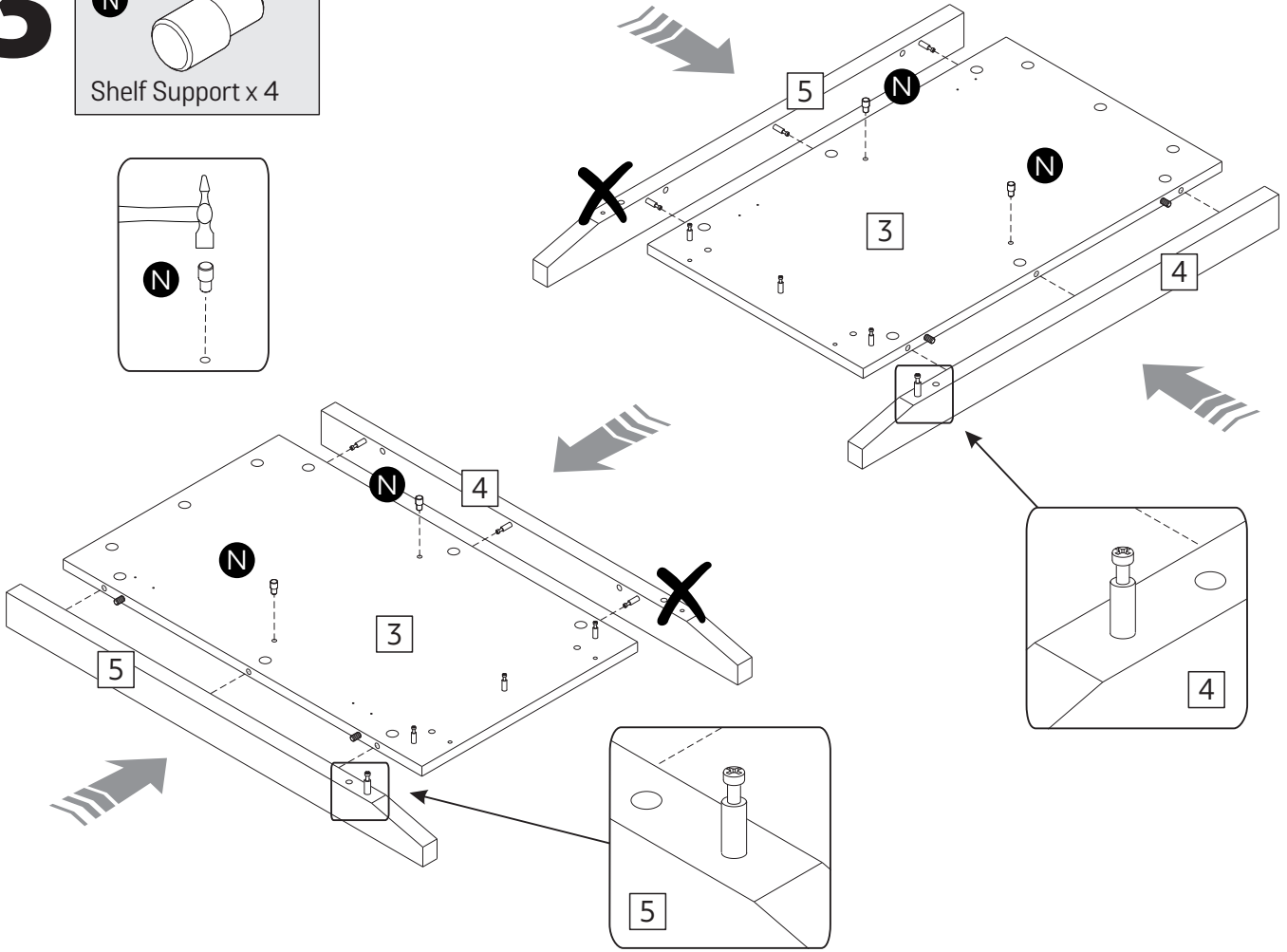
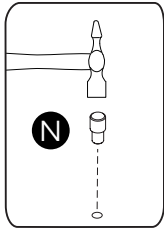
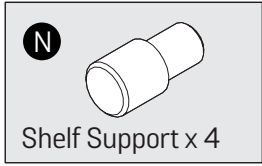


 Repeat x2

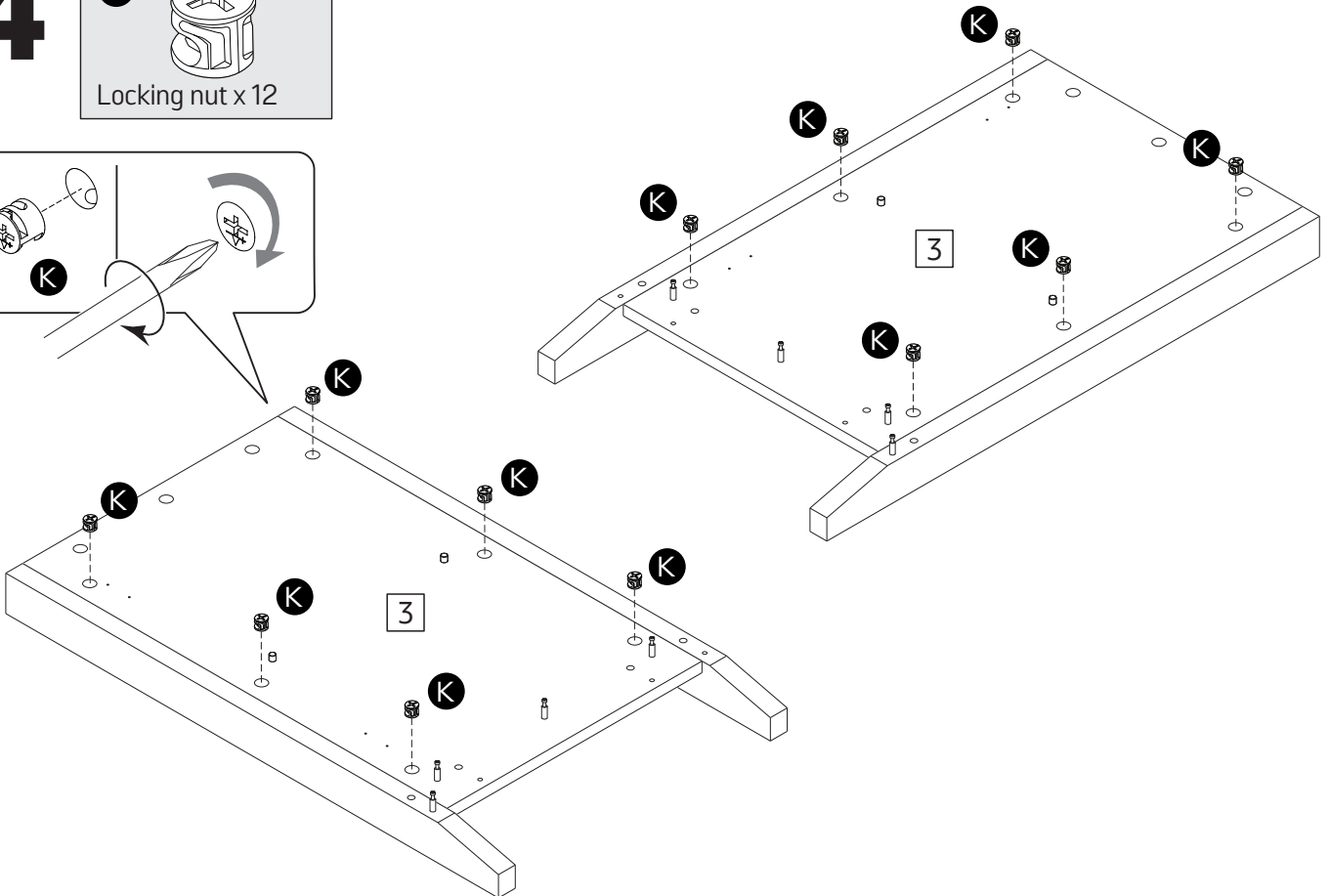
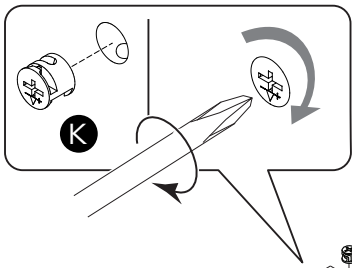
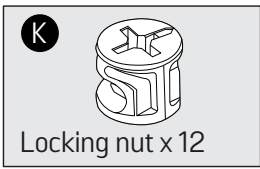
2



3

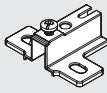


4



5

R

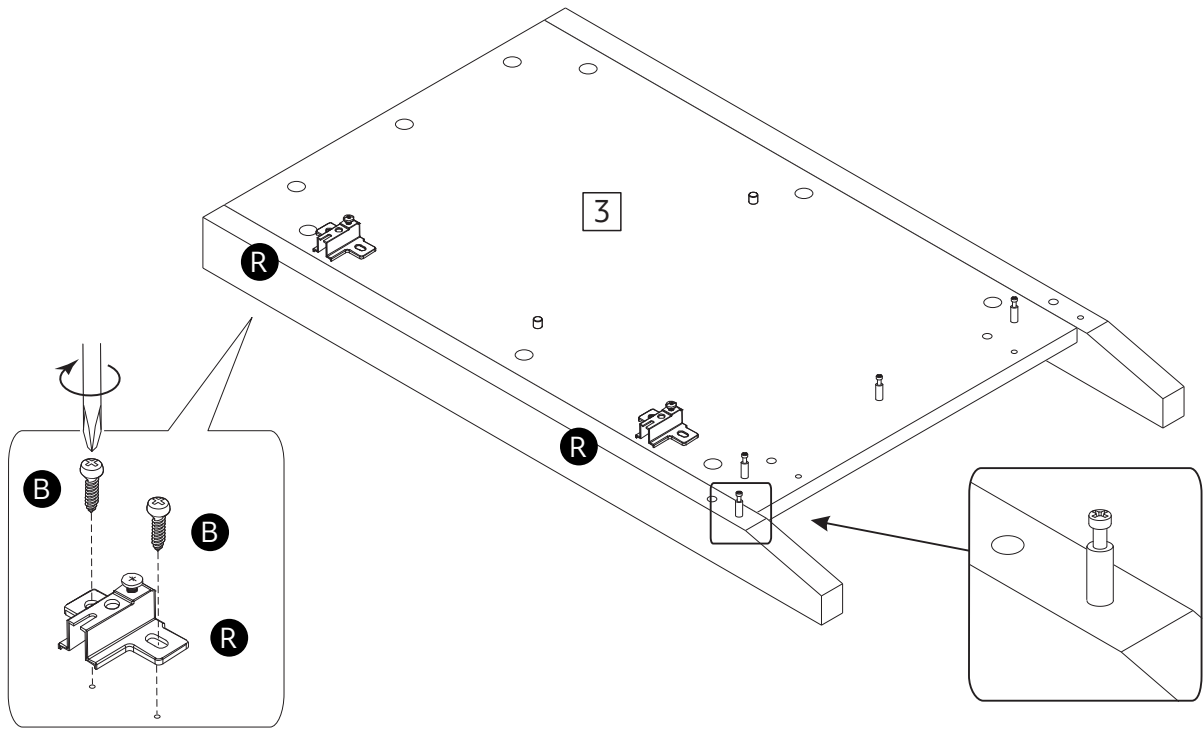


Hinge support x 2

B



14mm Screw x 4

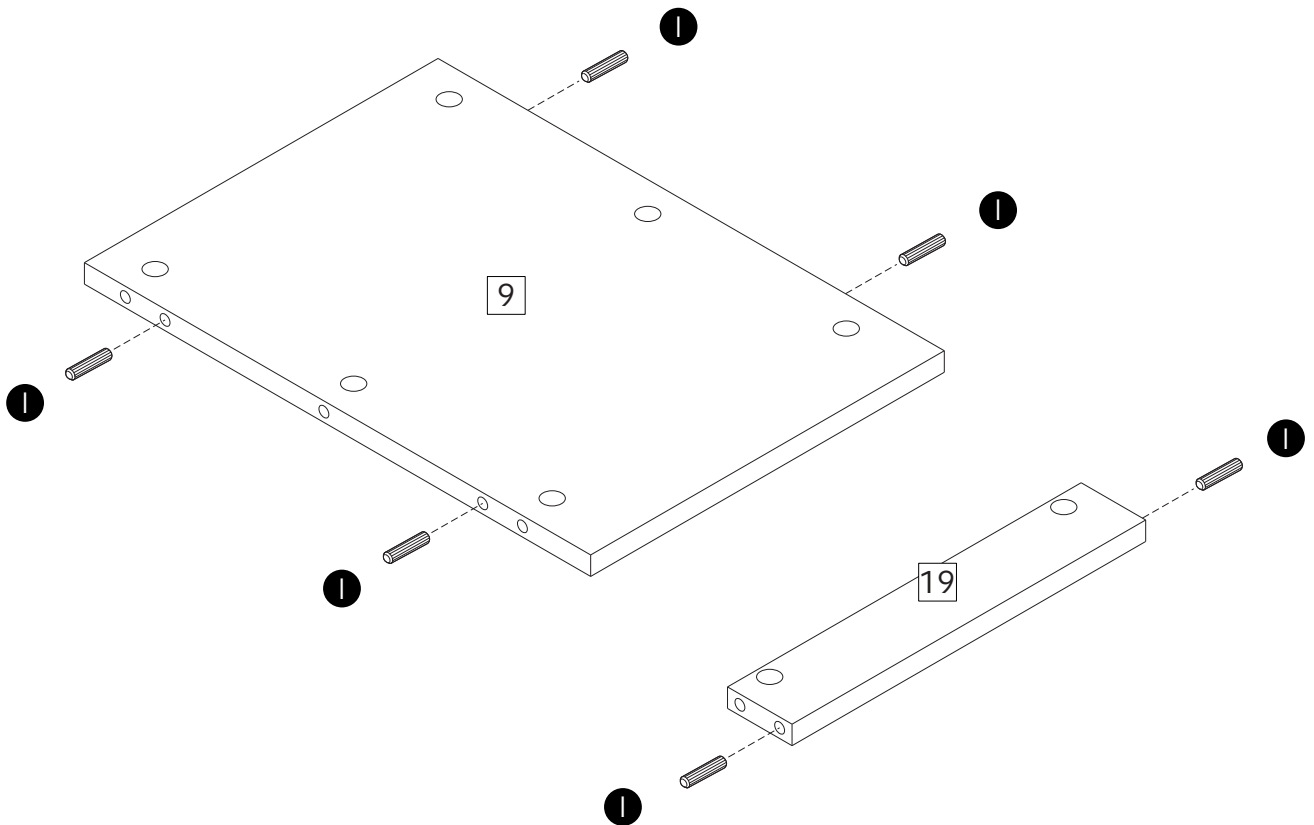


6

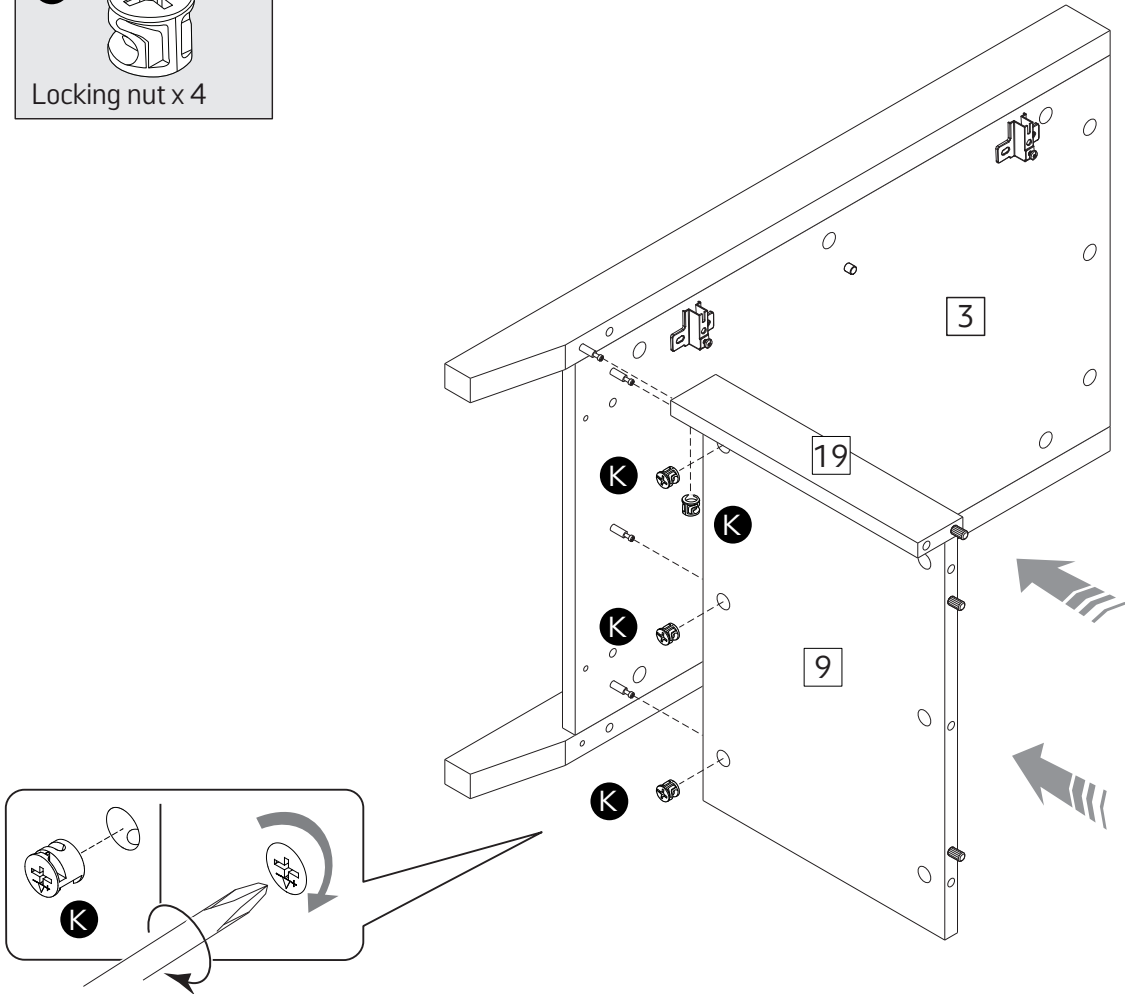
I



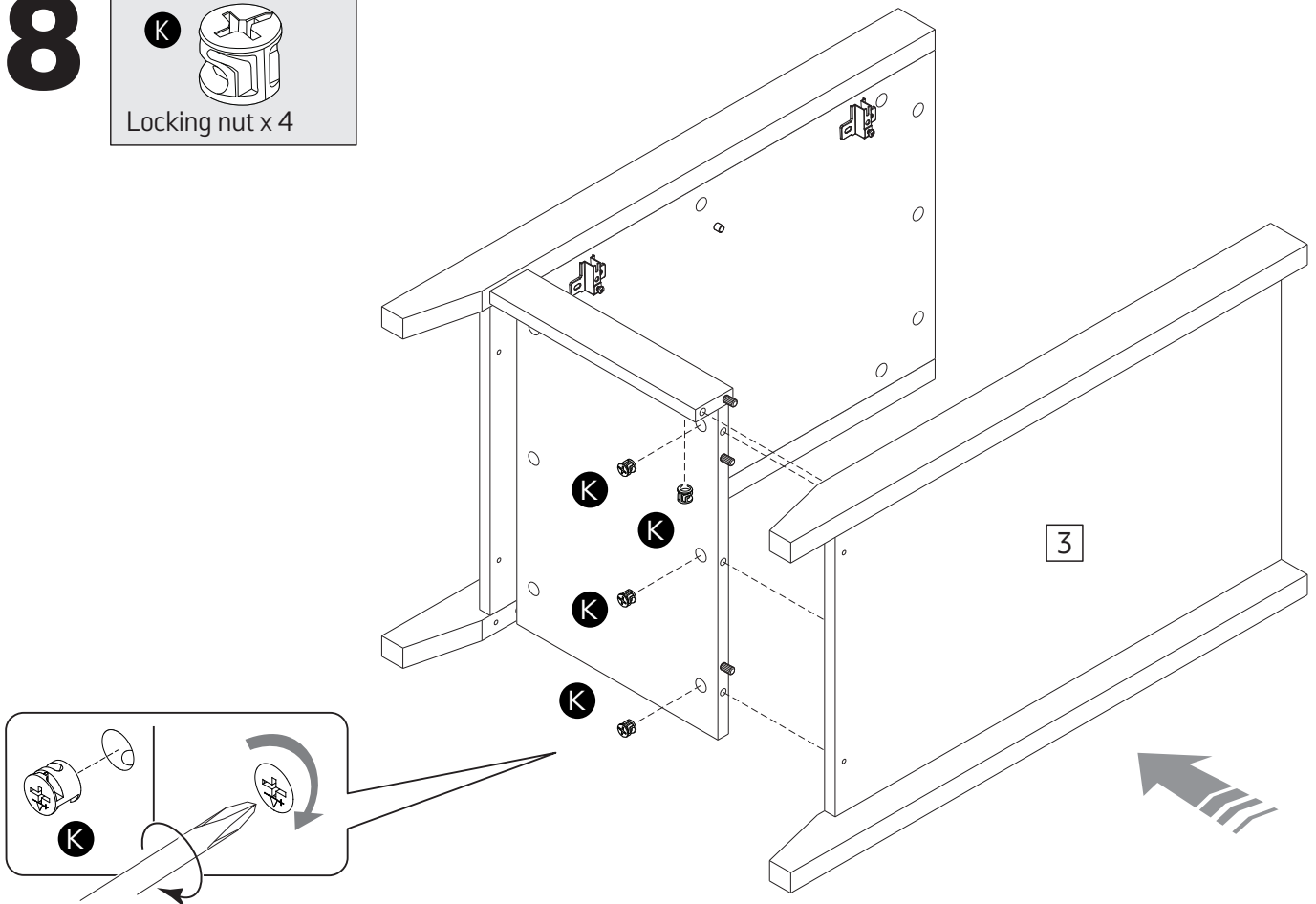
8x30 Wooden Dowel x 6



7



8

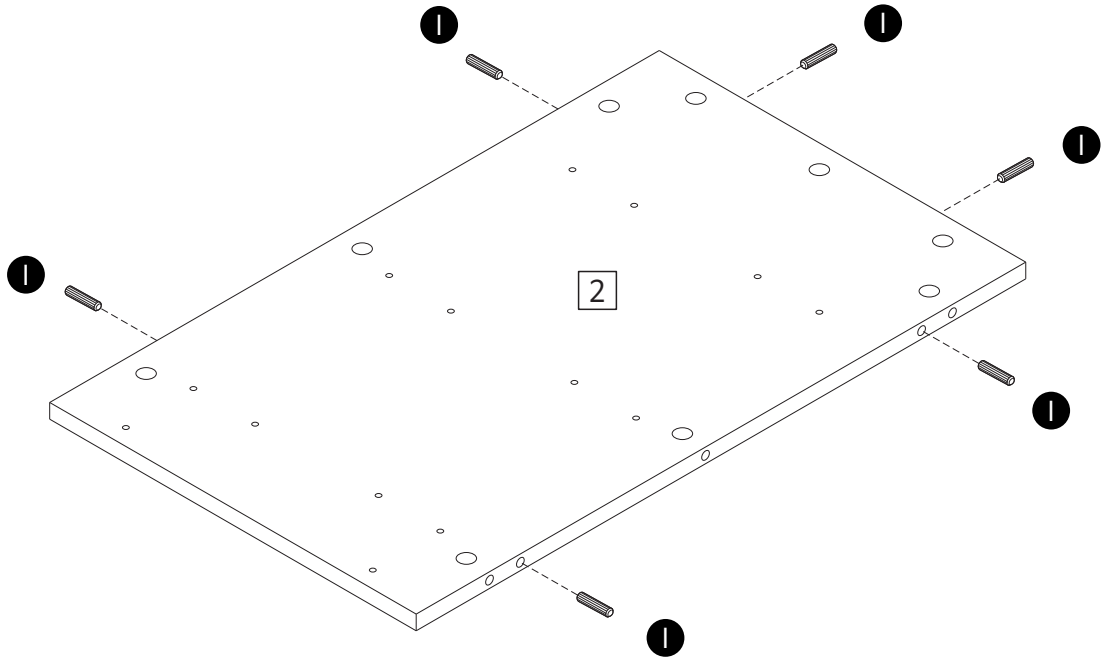


9

I



8x30 Wooden Dowel x 12



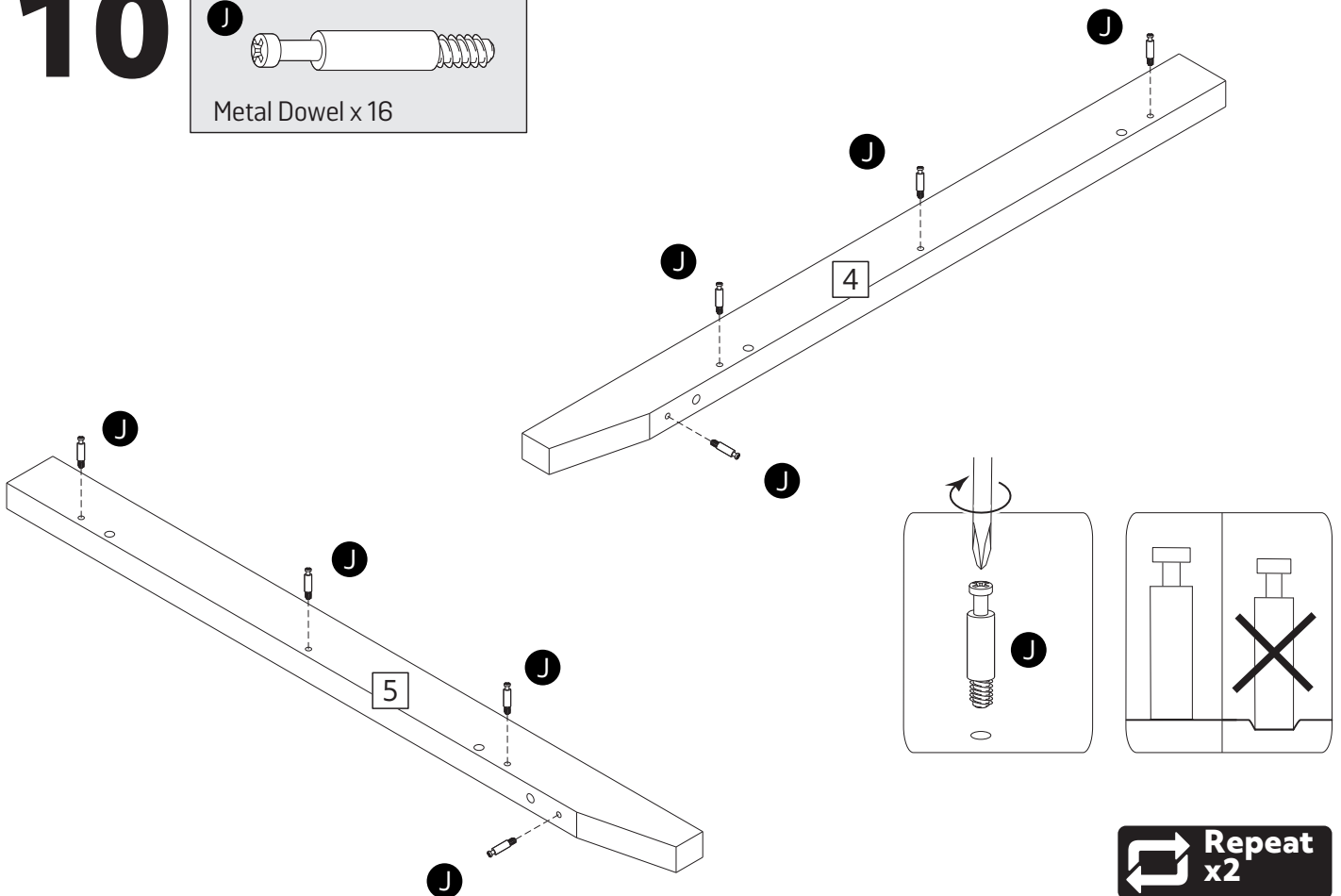
Repeat x2

10

J

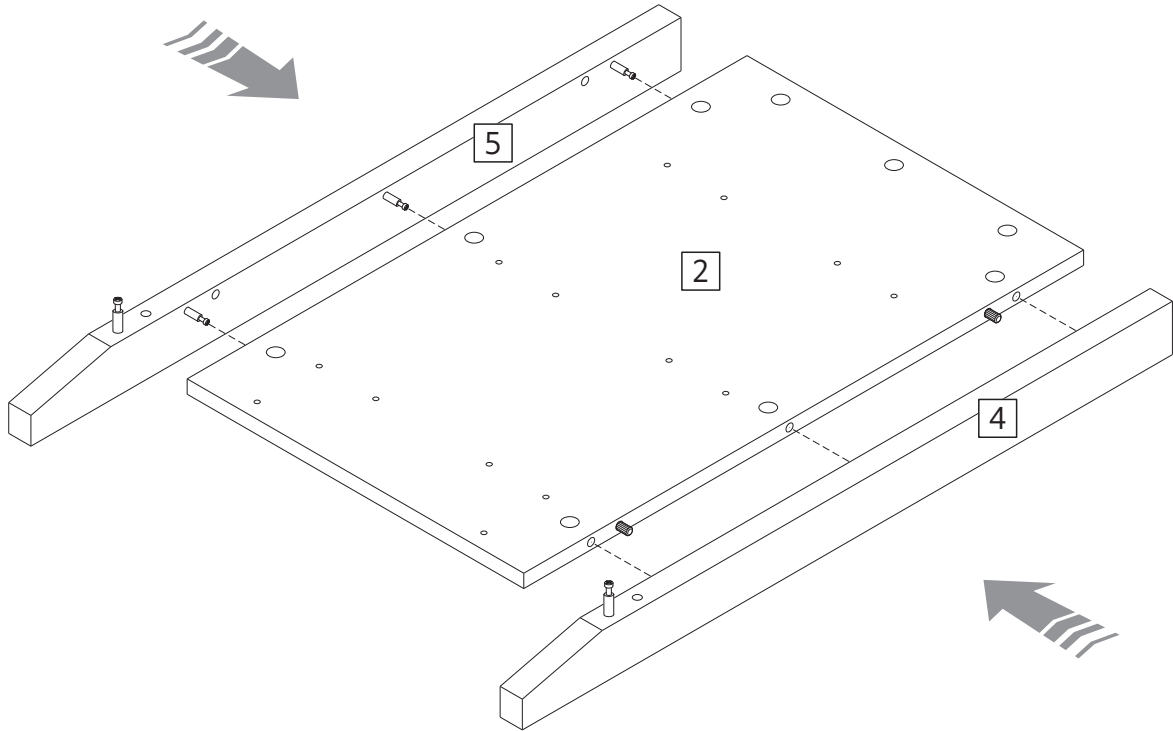


Metal Dowel x 16



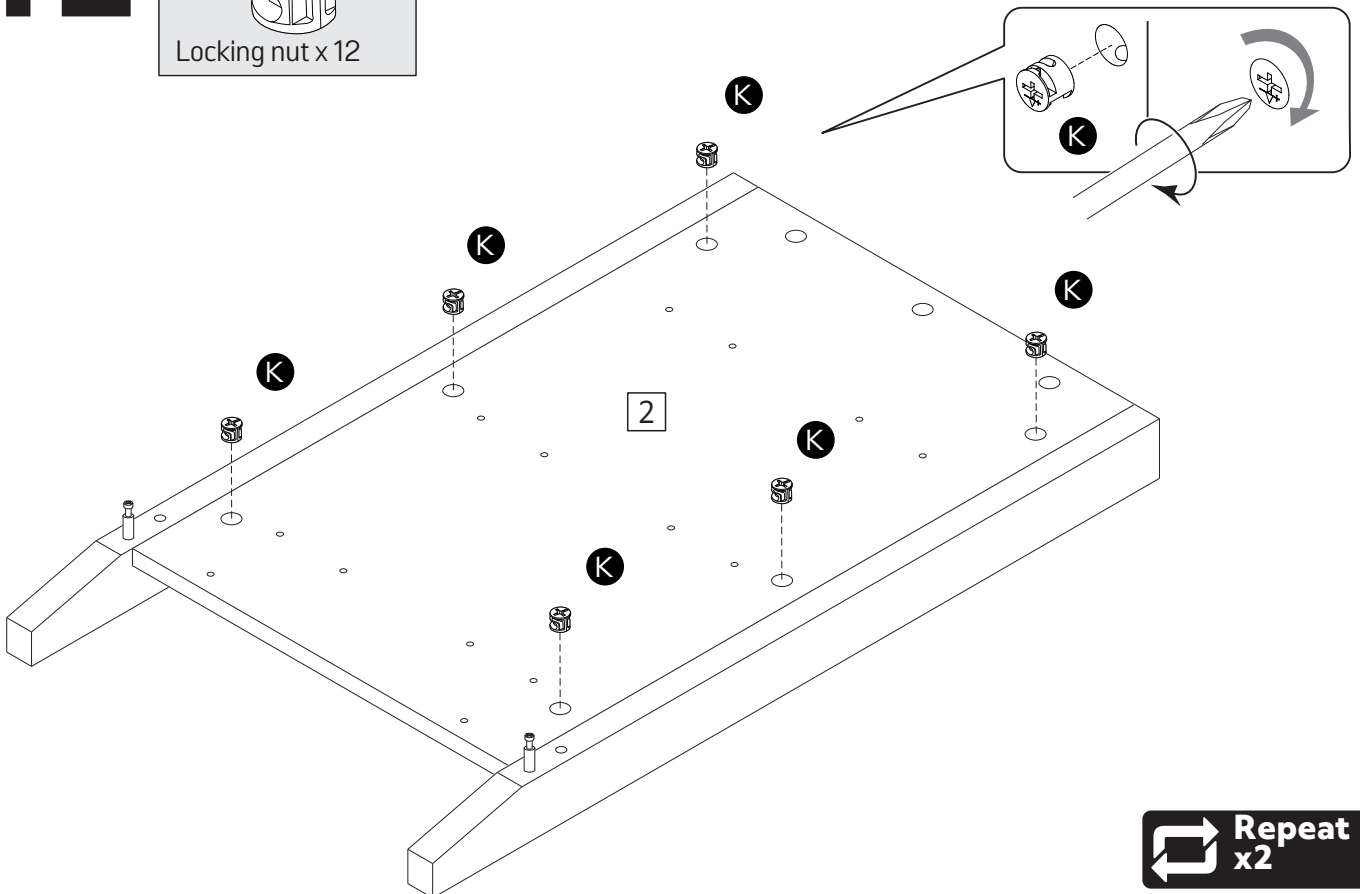
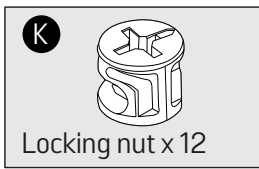
Repeat x2

11



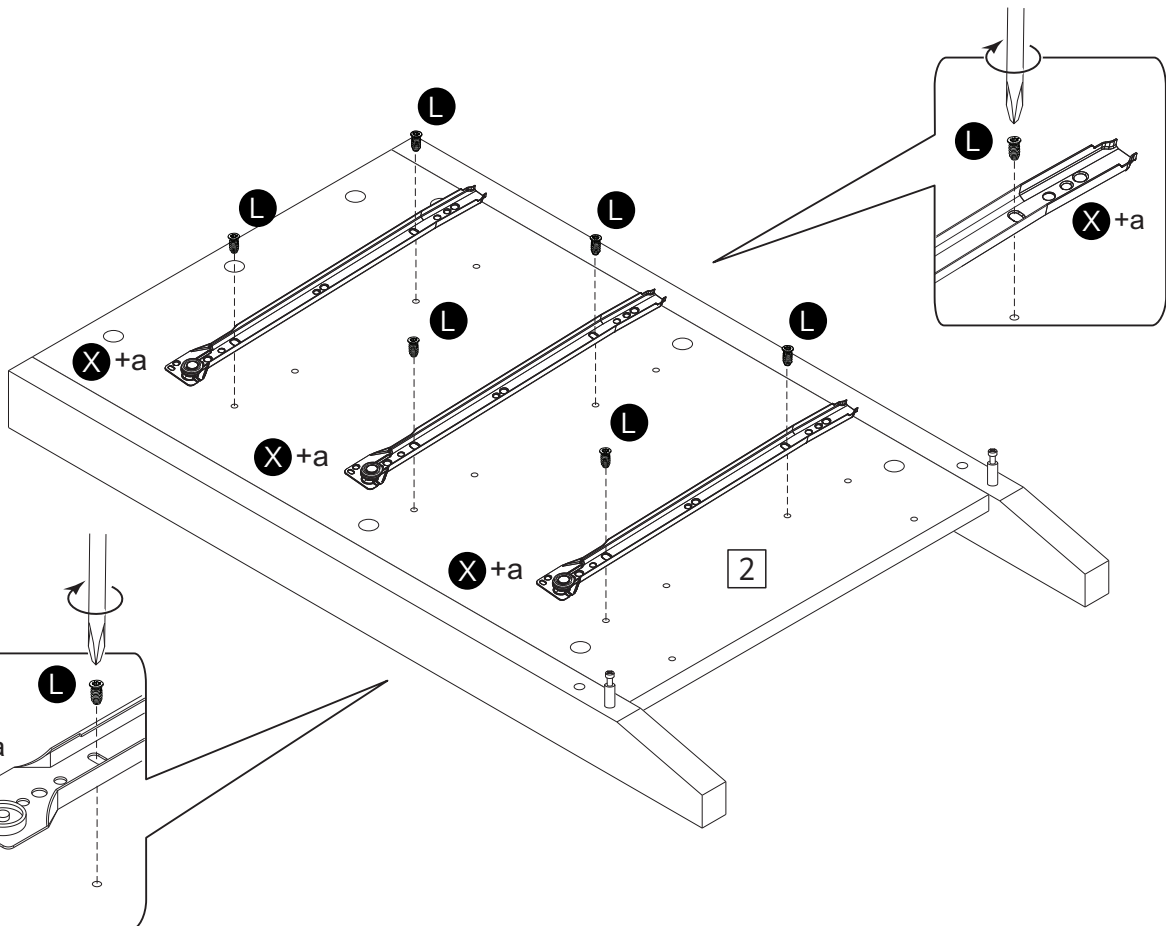
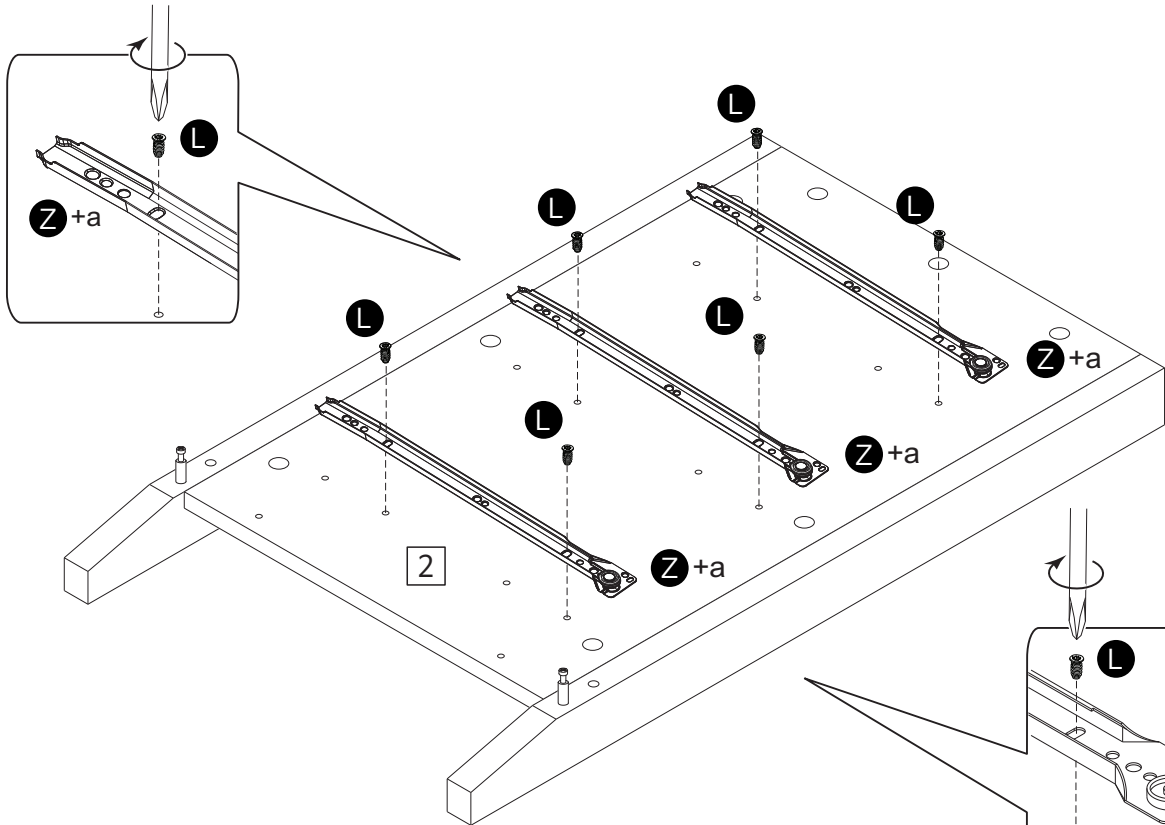
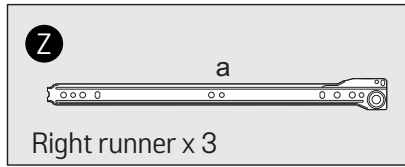
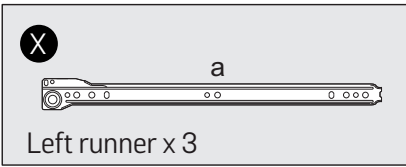
 Repeat
x2

12



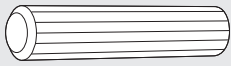
 Repeat
x2

13

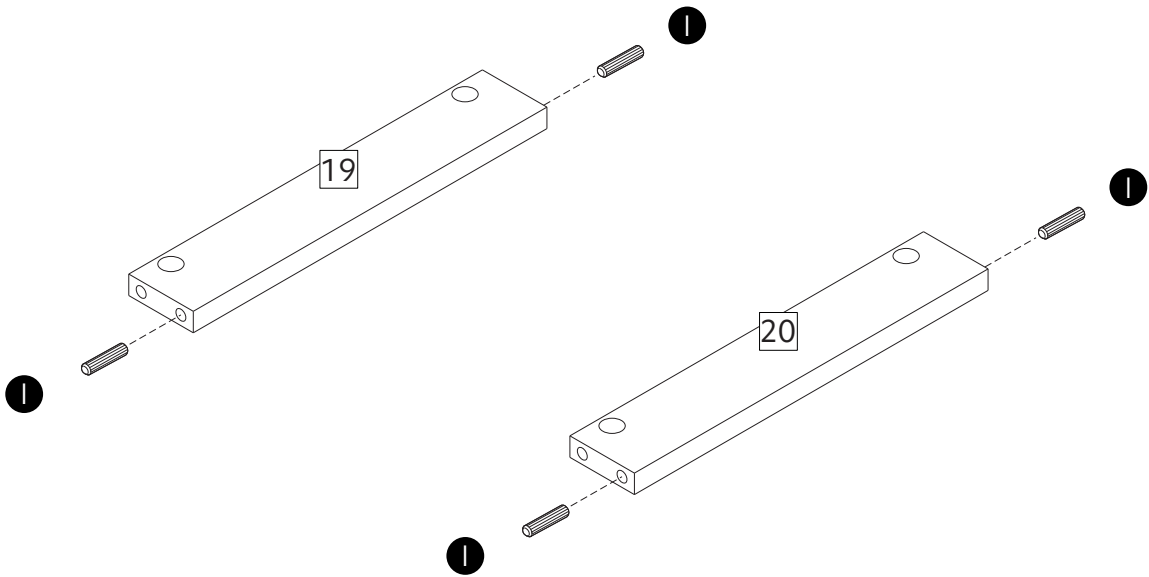


14

l



8x30 Wooden Dowel x 4

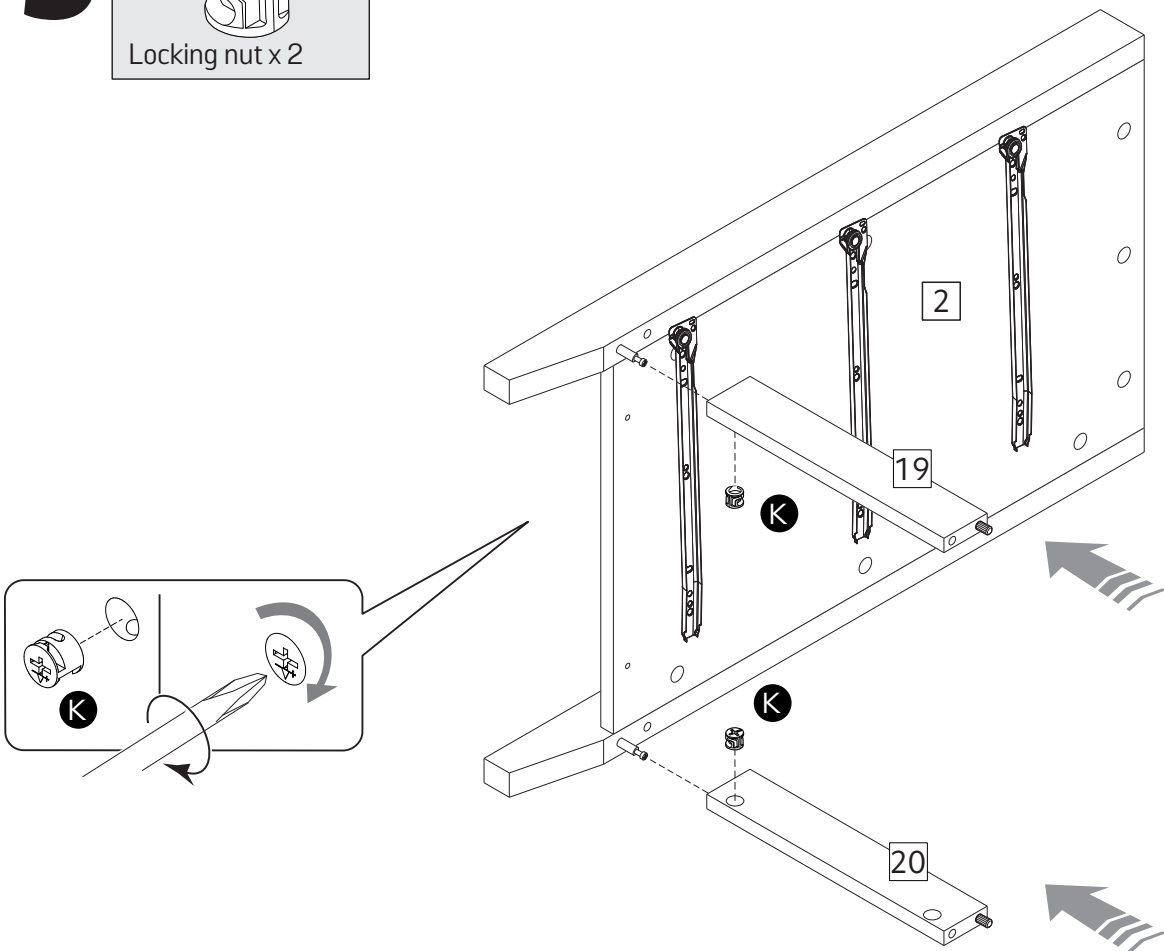


15

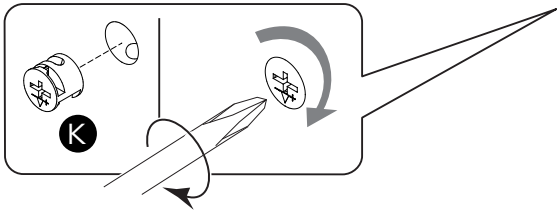
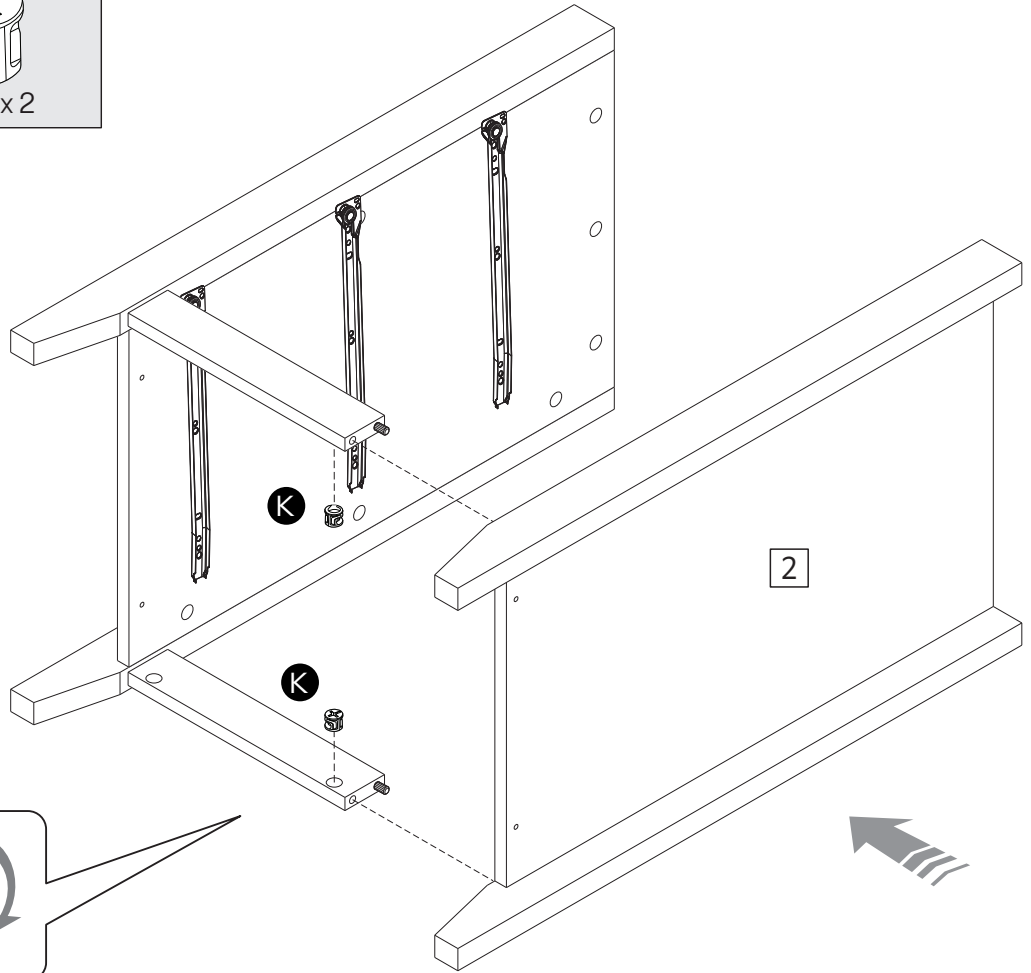
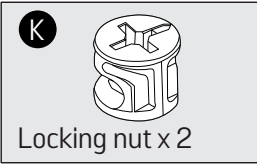
K



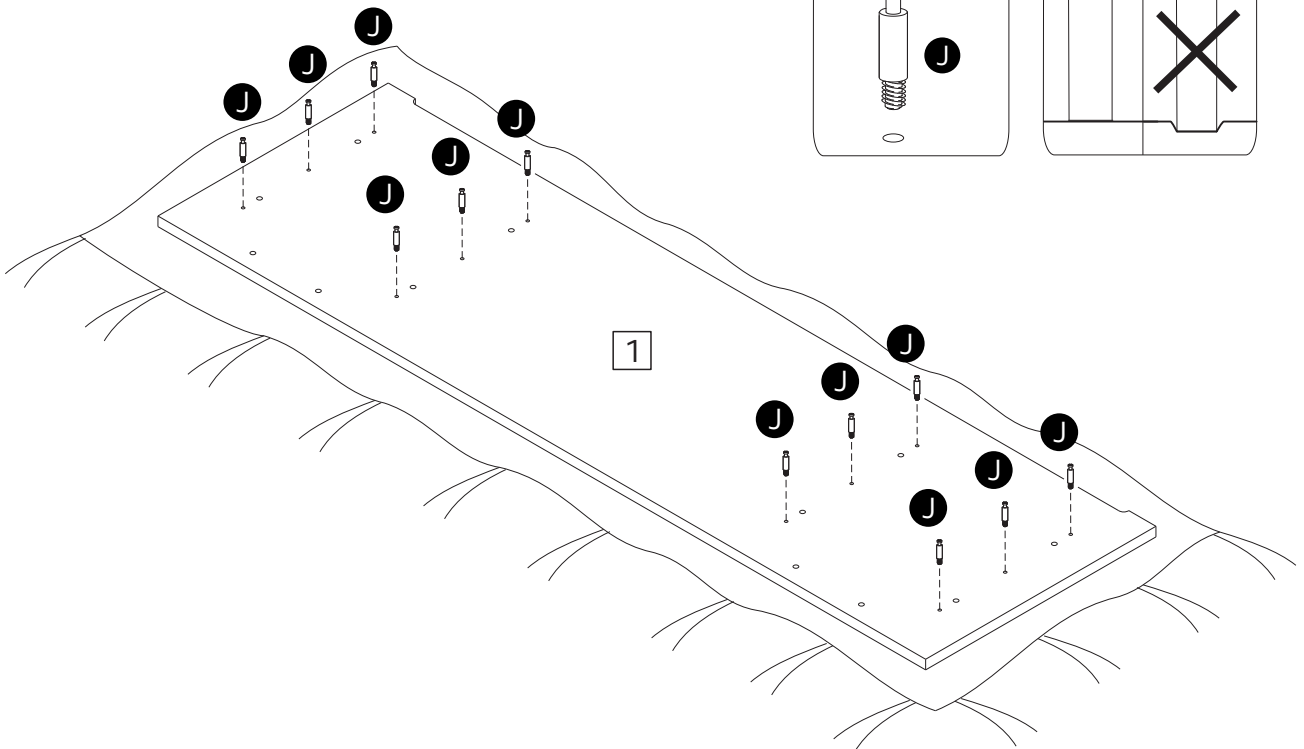
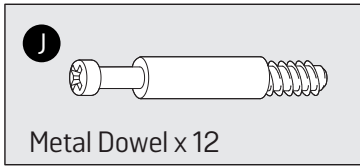
Locking nut x 2



16



17

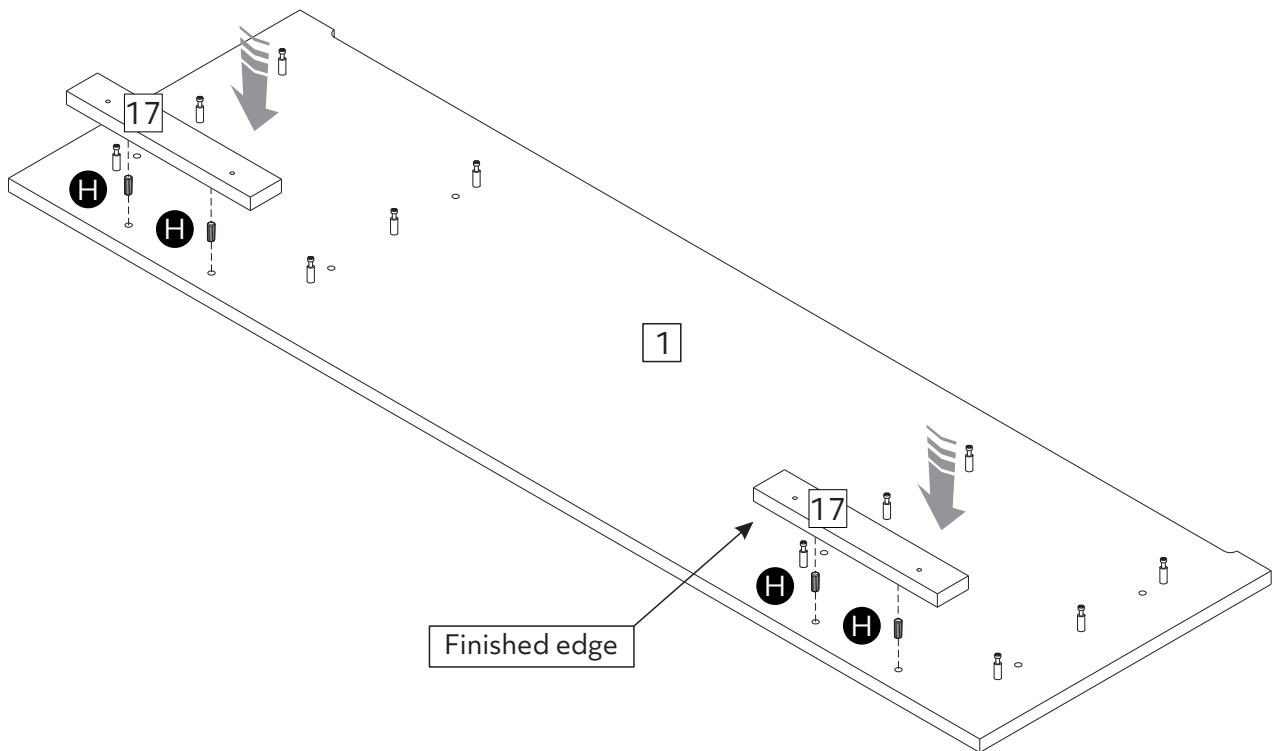


18

H

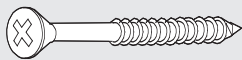


8x20 Wooden Dowel x 4

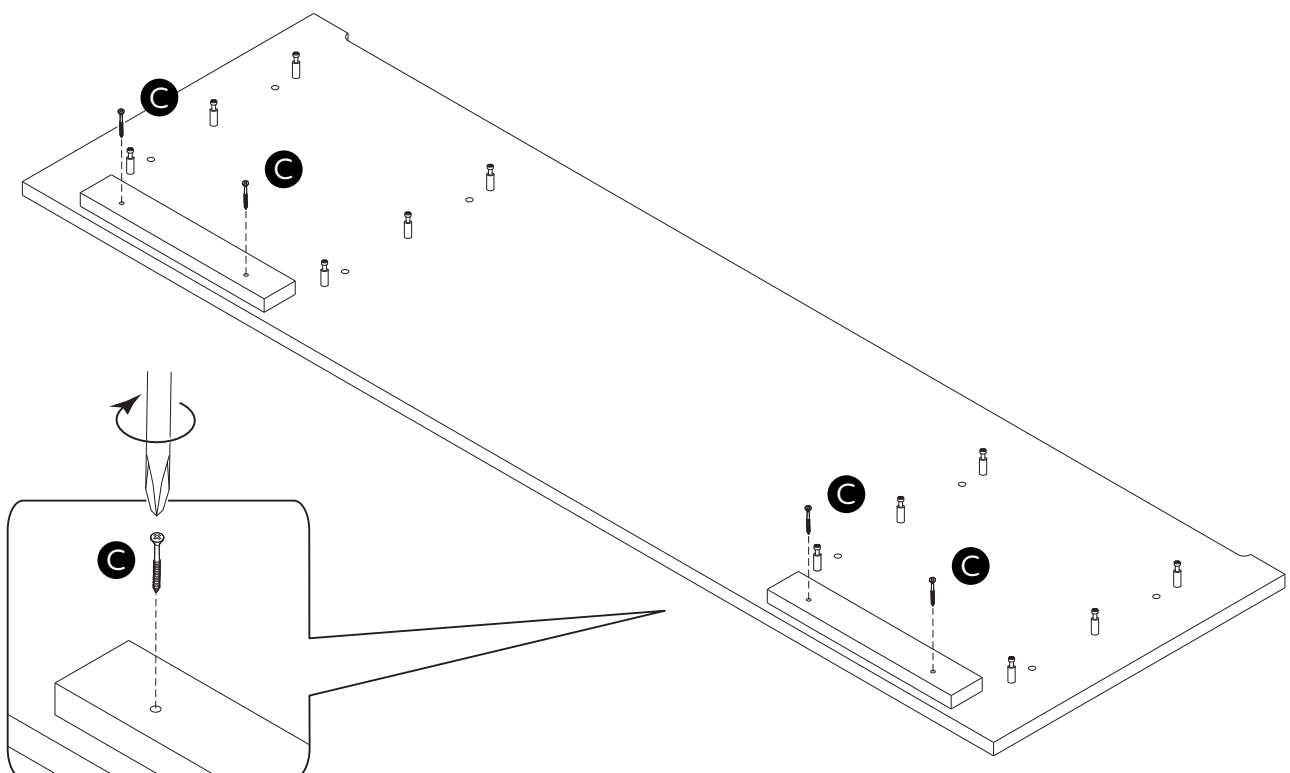


19

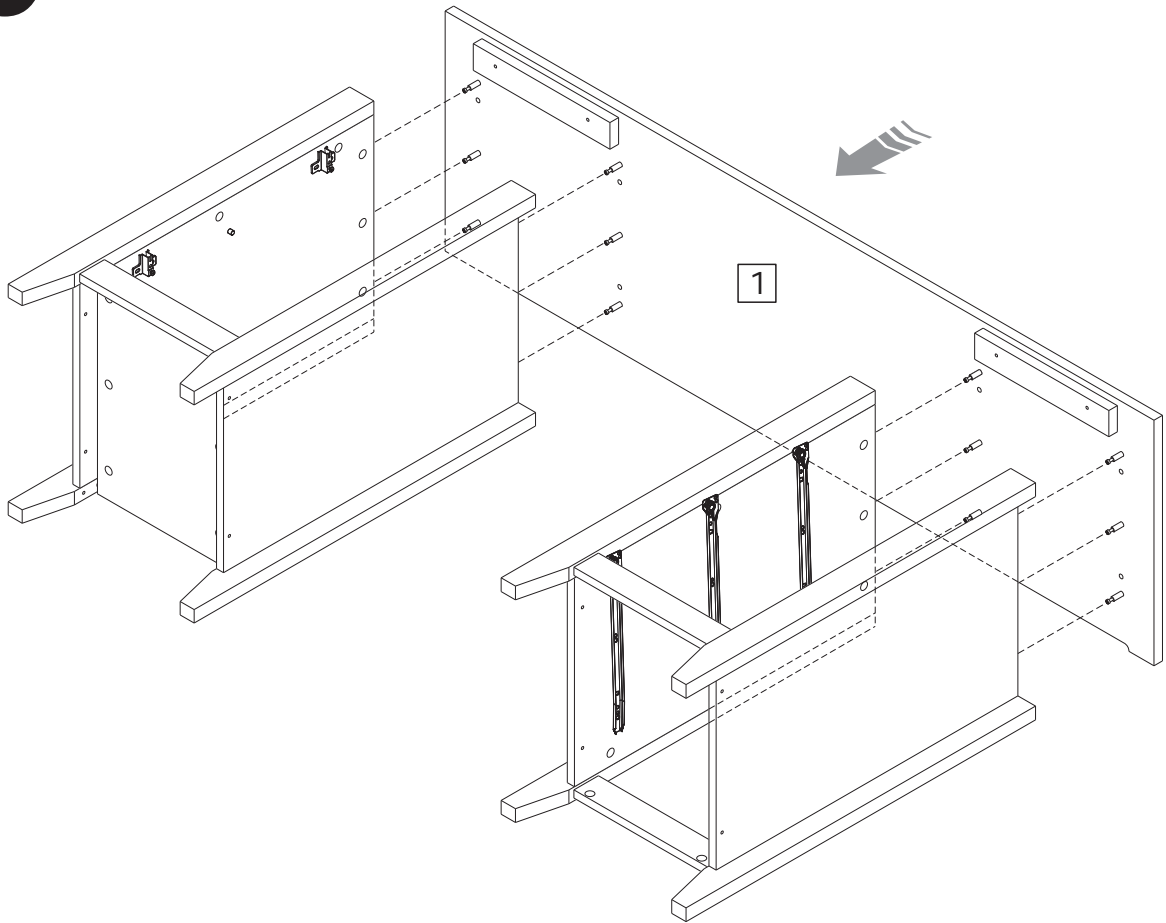
C



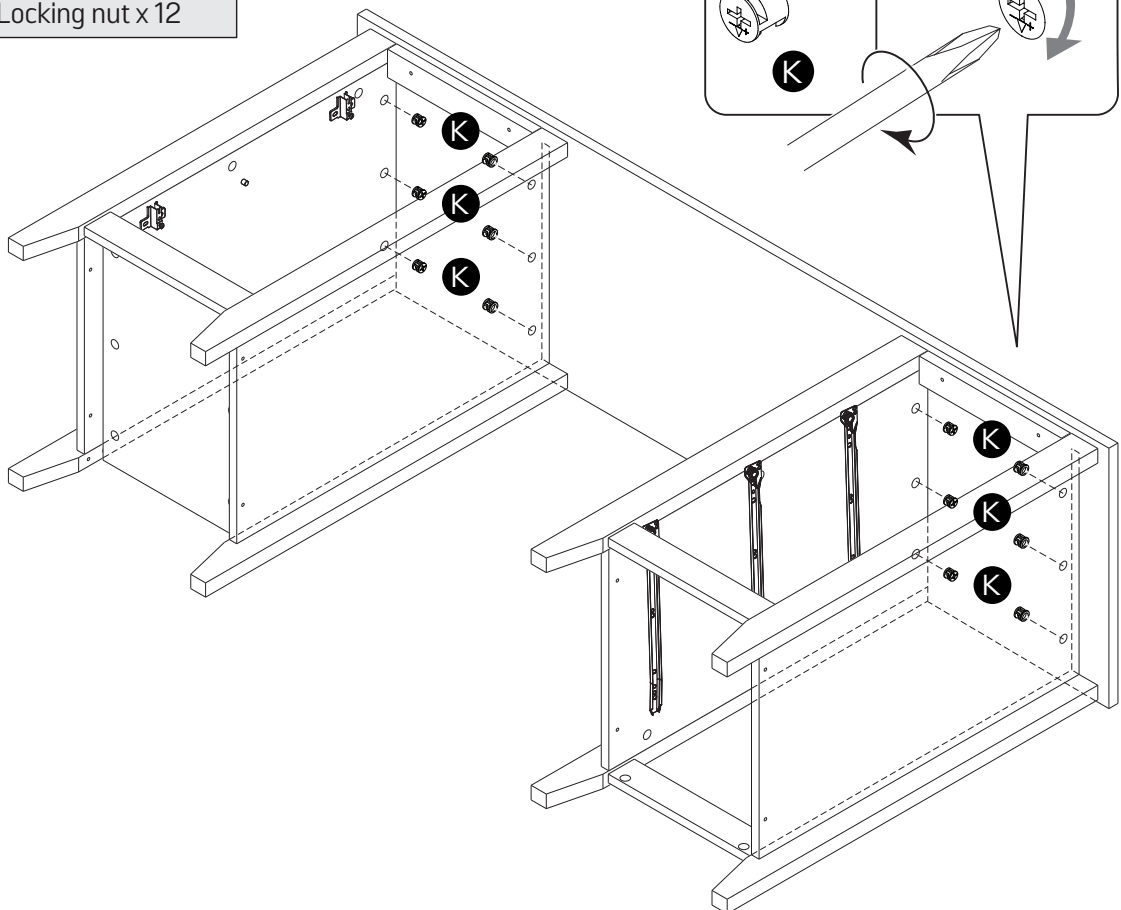
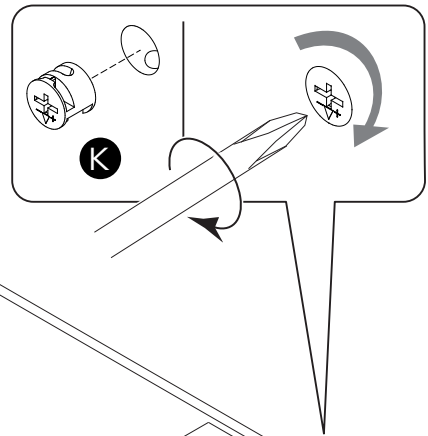
30mm Screw x 4



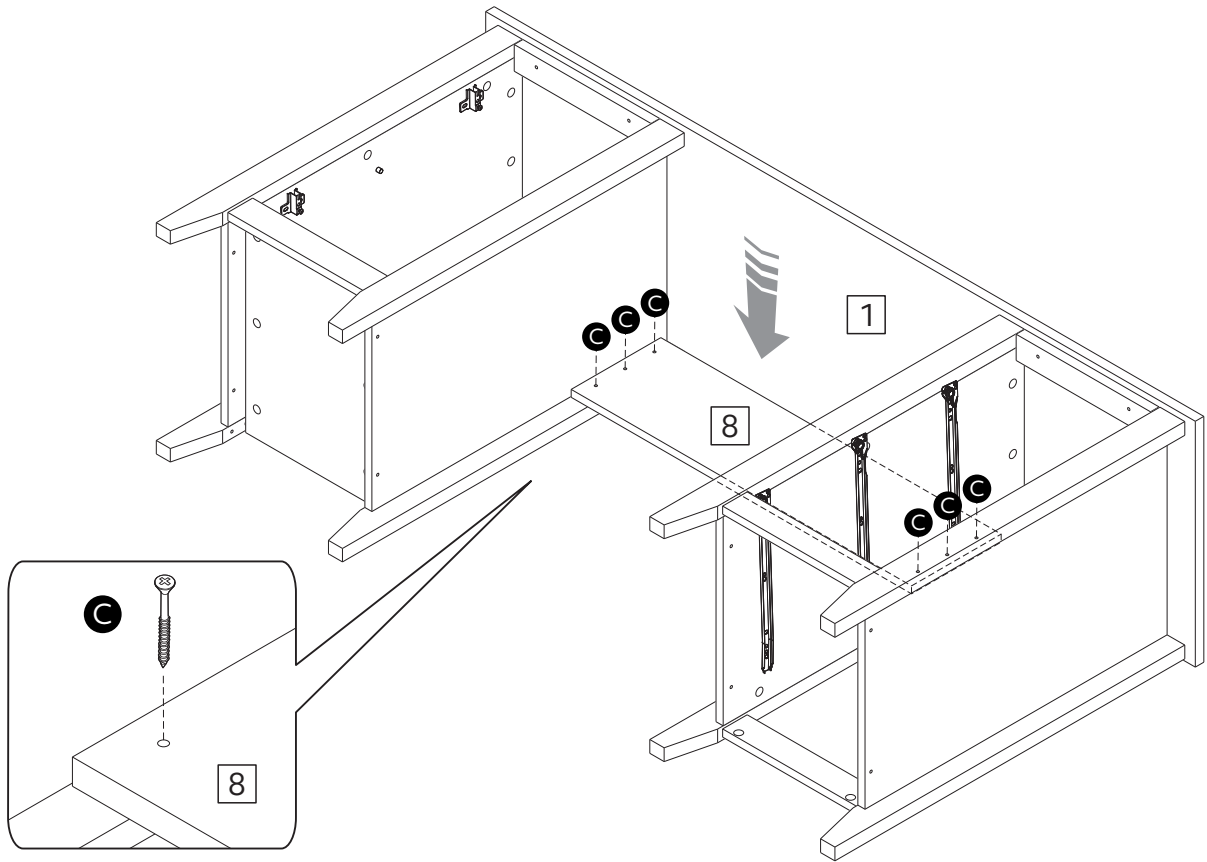
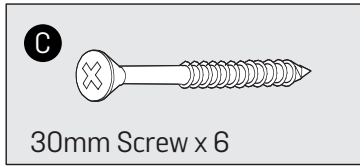
20



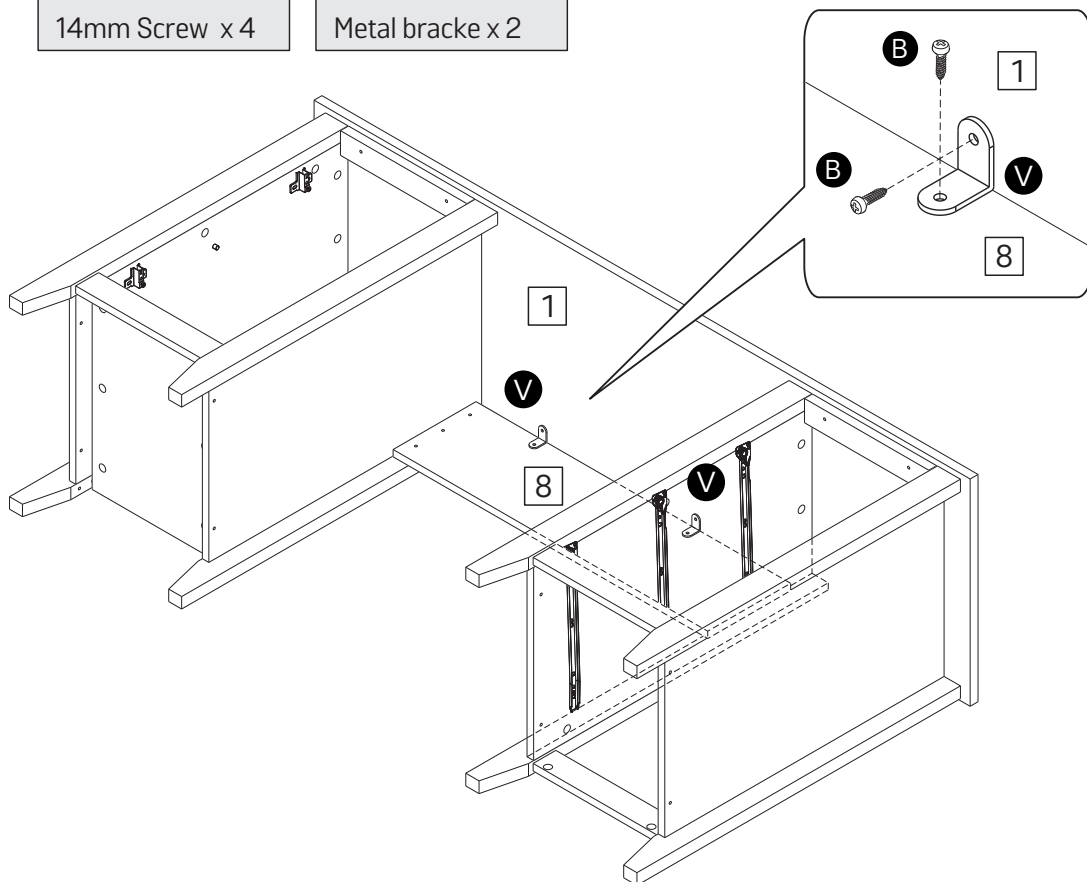
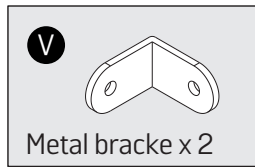
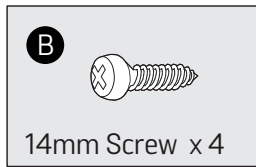
21



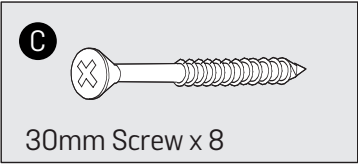
22



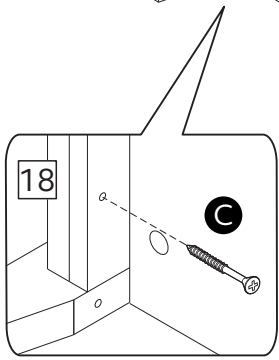
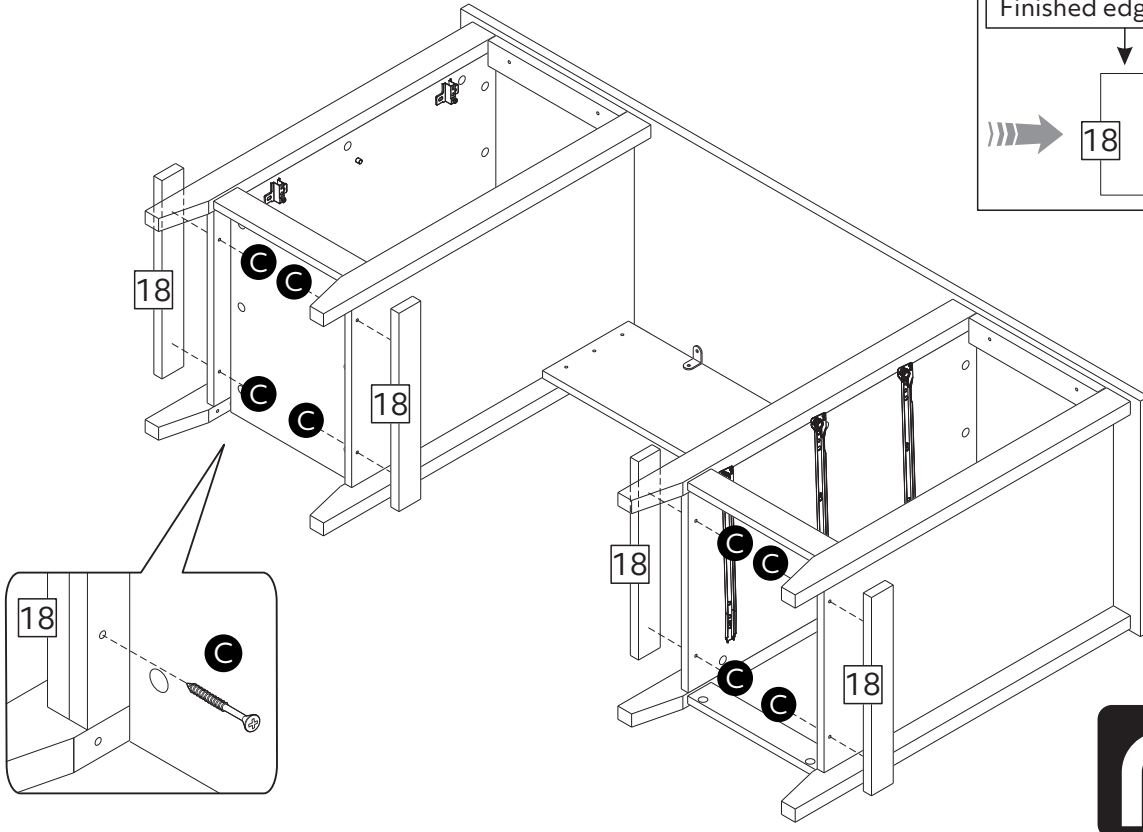
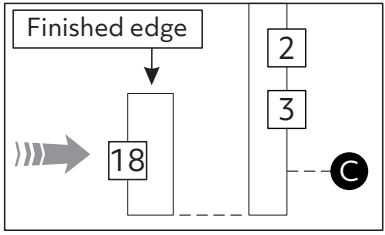
23



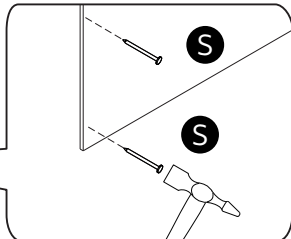
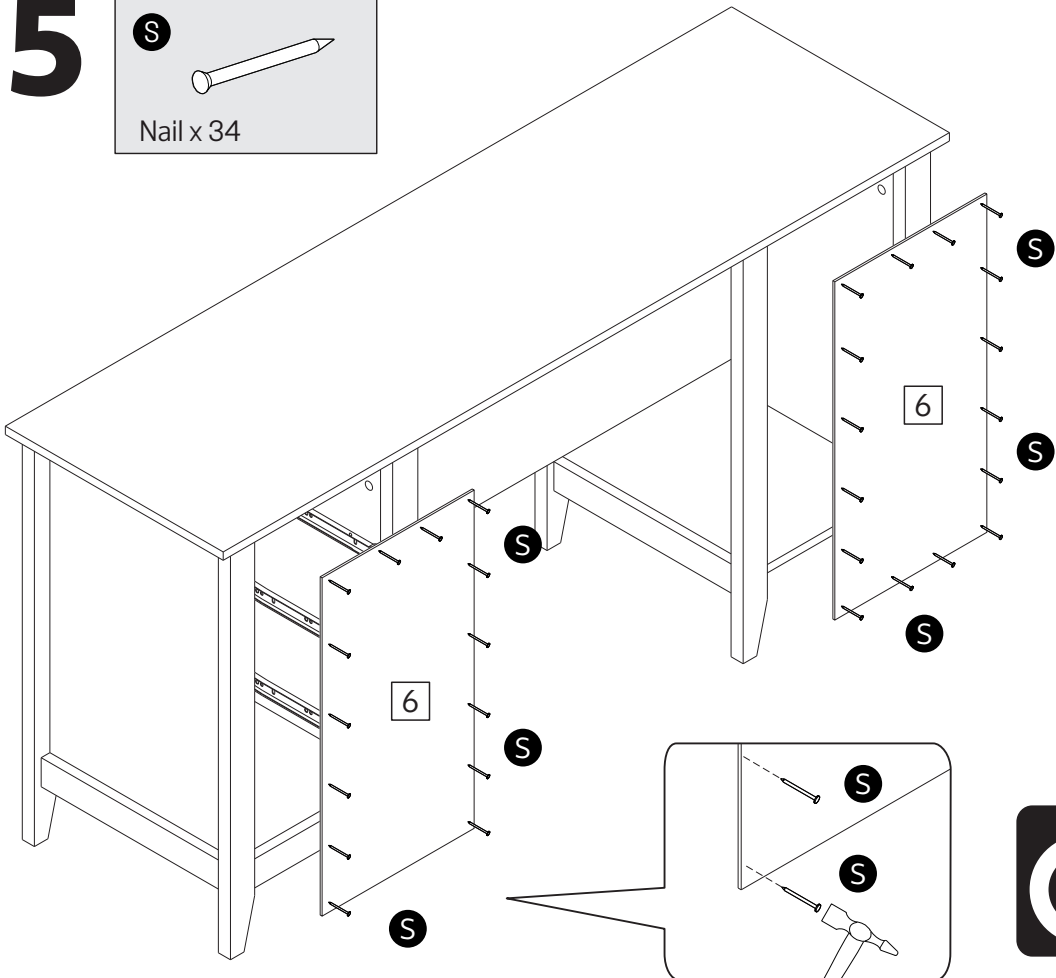
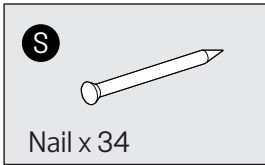
24



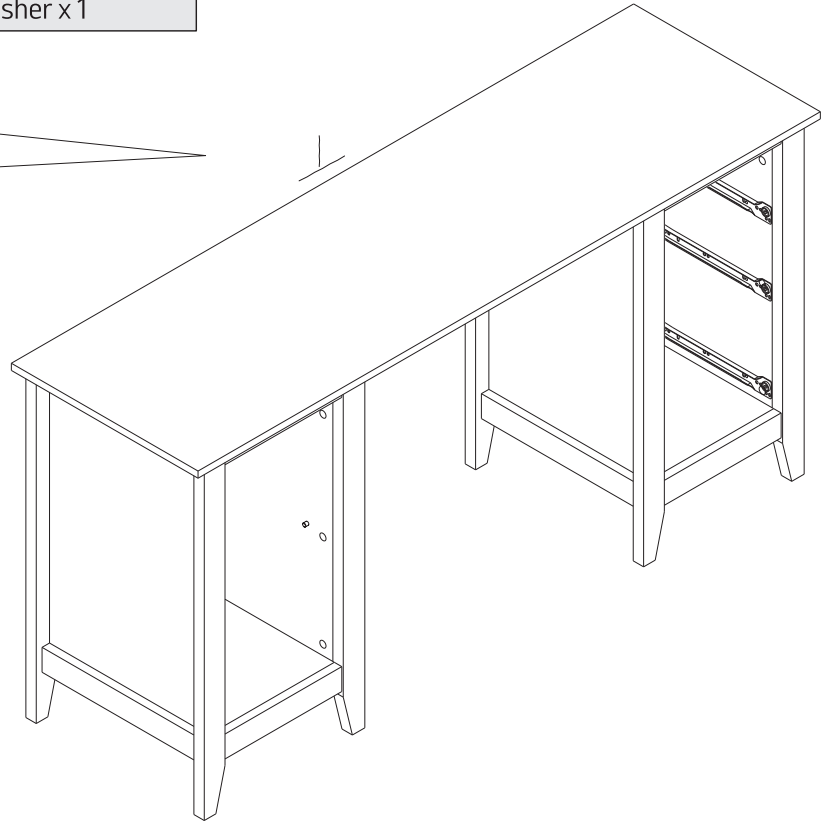
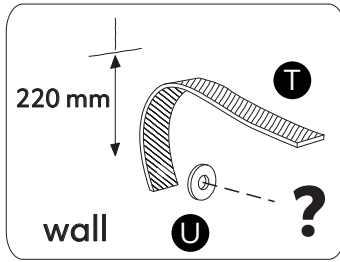
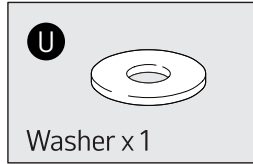
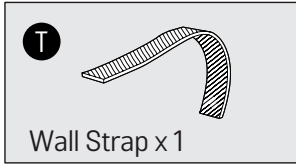
WARNING!
Make sure bottom side frame is aligned to the bottom side panel.



25



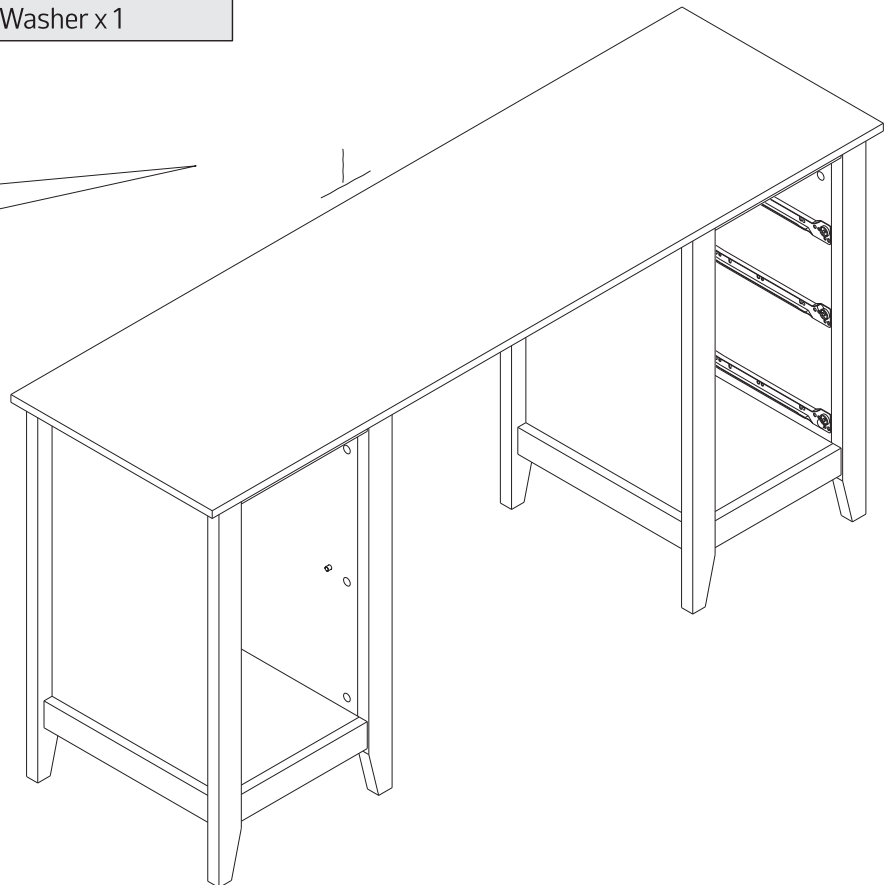
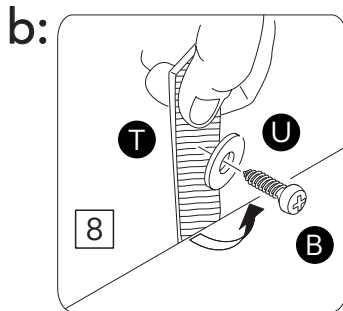
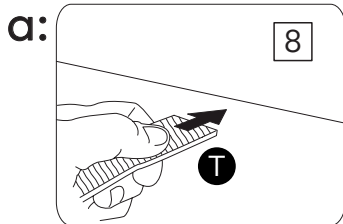
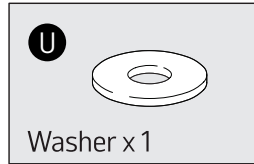
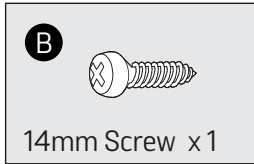
26



WARNING!

Wall plugs not supplied.
The correct type of fixing must
be used for your wall, seek
professional advice if in doubt

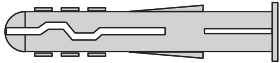
27



A Guide to - Wall Mounting & Fixings

Important note:

If plastic wall plugs are supplied with your product:



- these are only suitable for use in masonry walls.

If you are in any doubt about the correct wall plugs for your wall, seek professional advice.


Failure of the product due to using incorrect fixings is the responsibility of the installer.



Important: When drilling into walls always check that there are no hidden wires or pipes etc.

Make sure that the screws and wall plugs being used are suitable for supporting your unit. Consult a qualified tradesperson if you are unsure.

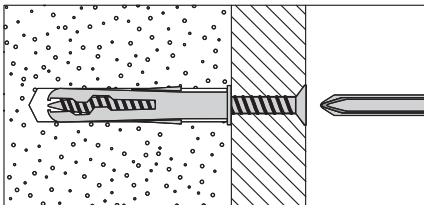
Hints:

- 1: **General rule:**  Always use a larger screw and wall plug if you are not sure.
- 2: Ensure you use the recommended drill bit to match the wall plug and hole size.
- 3: Ensure you drill the hole horizontally, do not force the drill or enlarge the hole.
- 4: Take extra care when drilling high walls, ceilings and ceramic tiles. Ensure wall plugs are inserted beyond the thickness of the ceramic tiles to avoid the tiles splitting or cracking.
- 5: Ensure wall plugs are well fitted and are a tight fit in the drilled hole.

Types of walls

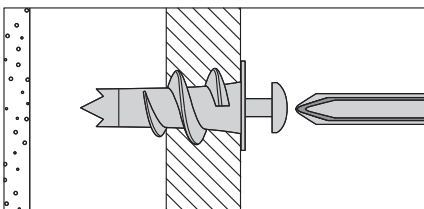
You can use one of the following types of wall plug if your walls are made of brick, breeze block, concrete, stone or wood.

No.1 "General Purpose" wall plug



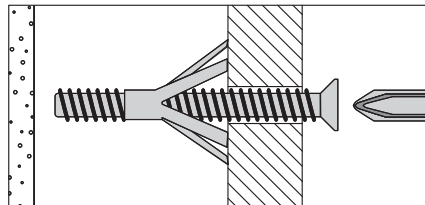
Generally aerated blocks should not be used to support heavy loads, use a specialist fitting in this case. For light loads, general purpose wall plugs can be used.

No.2 "Plasterboard" wall plug



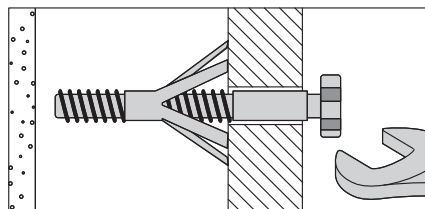
For use when attaching light loads on to plasterboard partitions.

No.3 "Cavity Fixing" wall plug



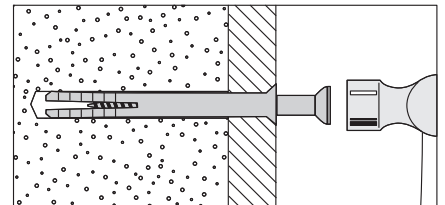
For use with plasterboard partitions or hollow wooden doors.

No.4 "Cavity Fixing-Heavy Duty" wall plug



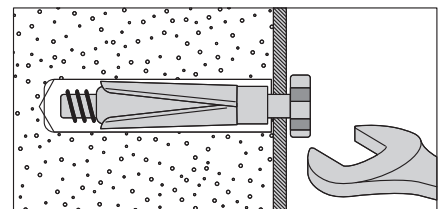
For use when fitting or supporting heavy loads such as shelving, wall cabinets and coat racks.

No.5 "Hammer Fixing" wall plug



For use with walls stuck with plasterboard. The hammer fixing allows it to be fixed to the wall rather than the plasterboard. Always check the fixing is secure to the retaining wall.

No.6 "Shield Anchor" wall plug Heavy loads



For use with heavier loads such as TV & HiFi speakers and satellite dishes etc.

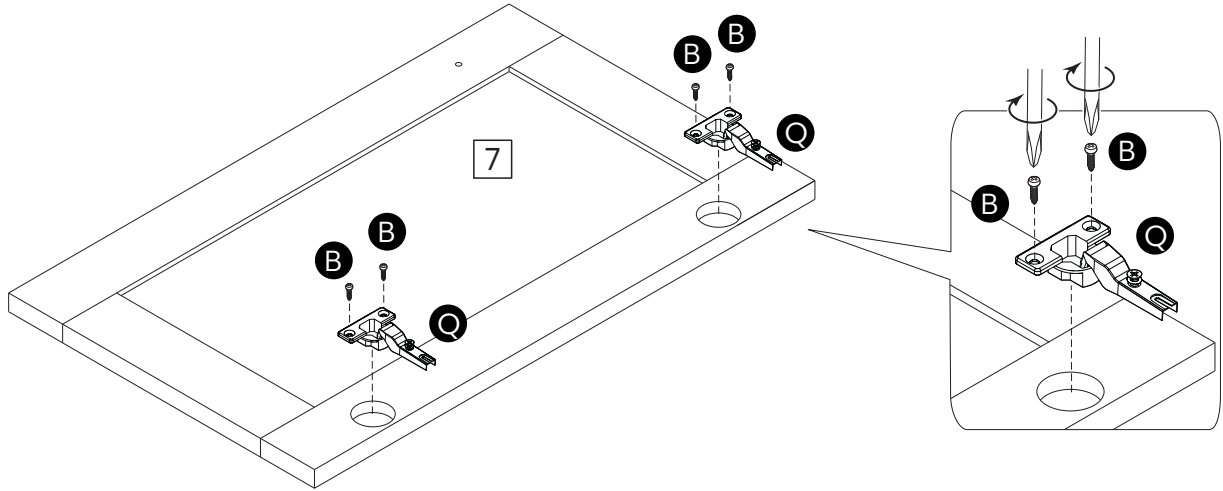
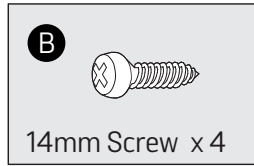
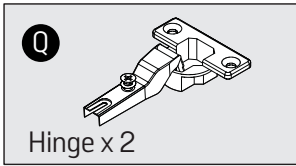


Care & Maintenance

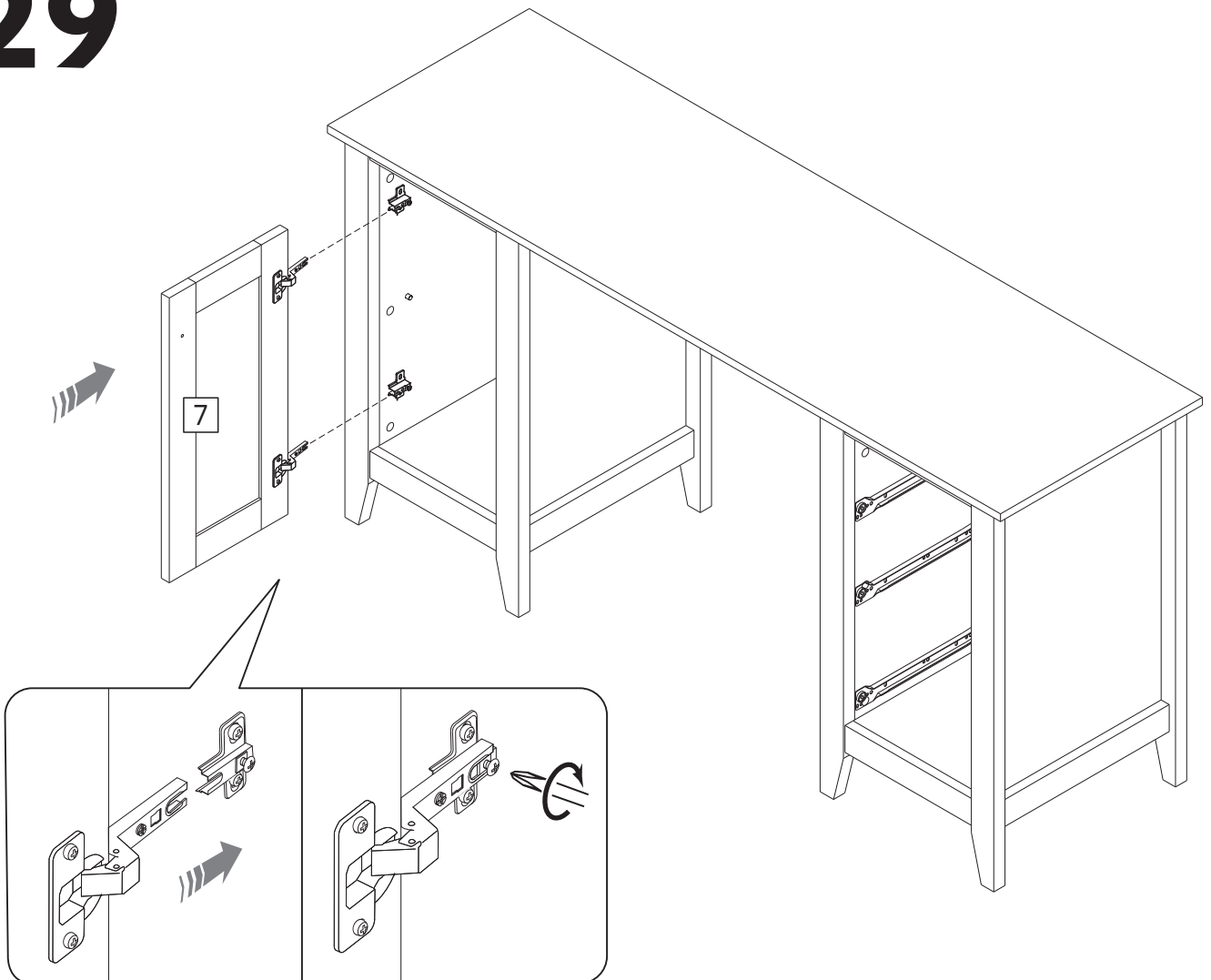
Safety: Always check the fitting and location to ensure your safety in and around the home.

Fitting: From time to time check the fitting to ensure the wall plugs or screws do not become loose.

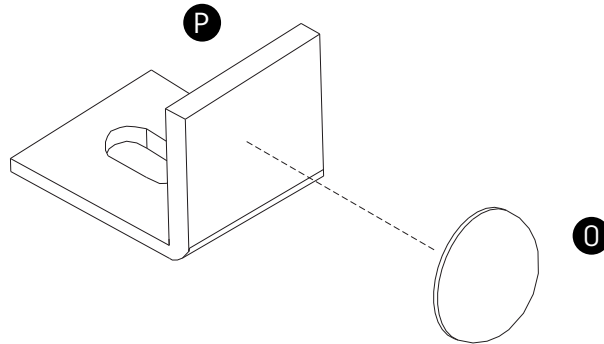
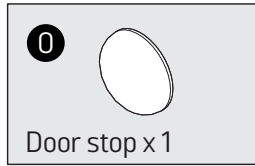
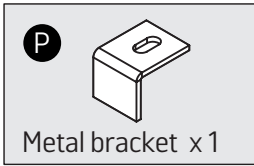
28



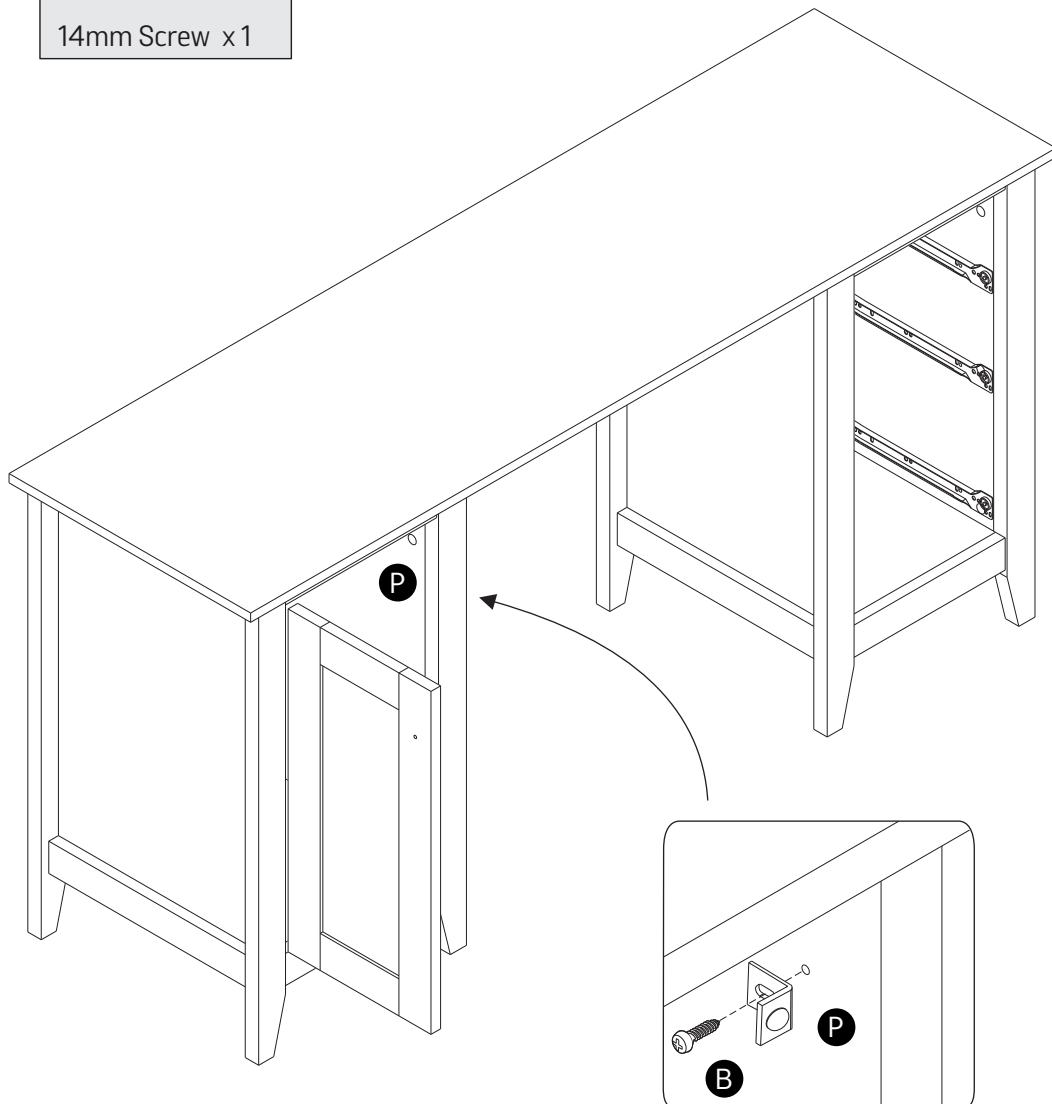
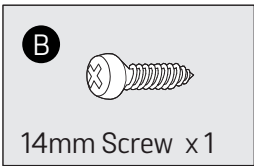
29



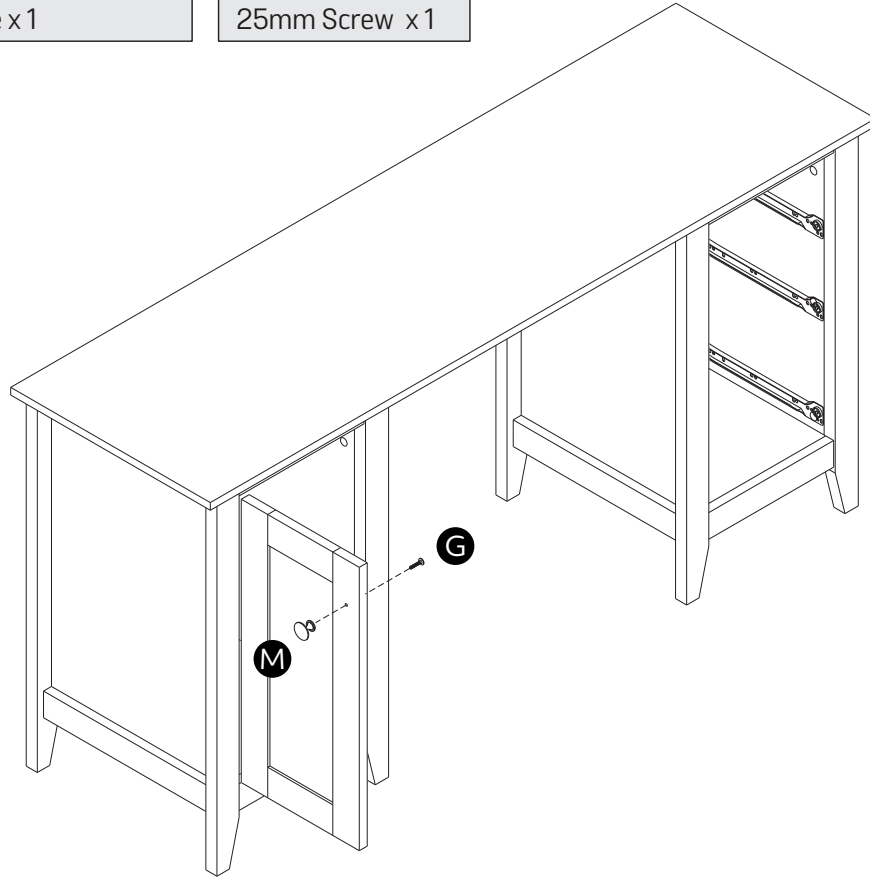
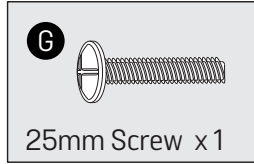
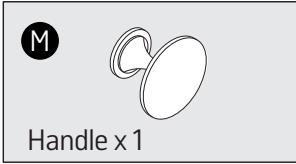
30



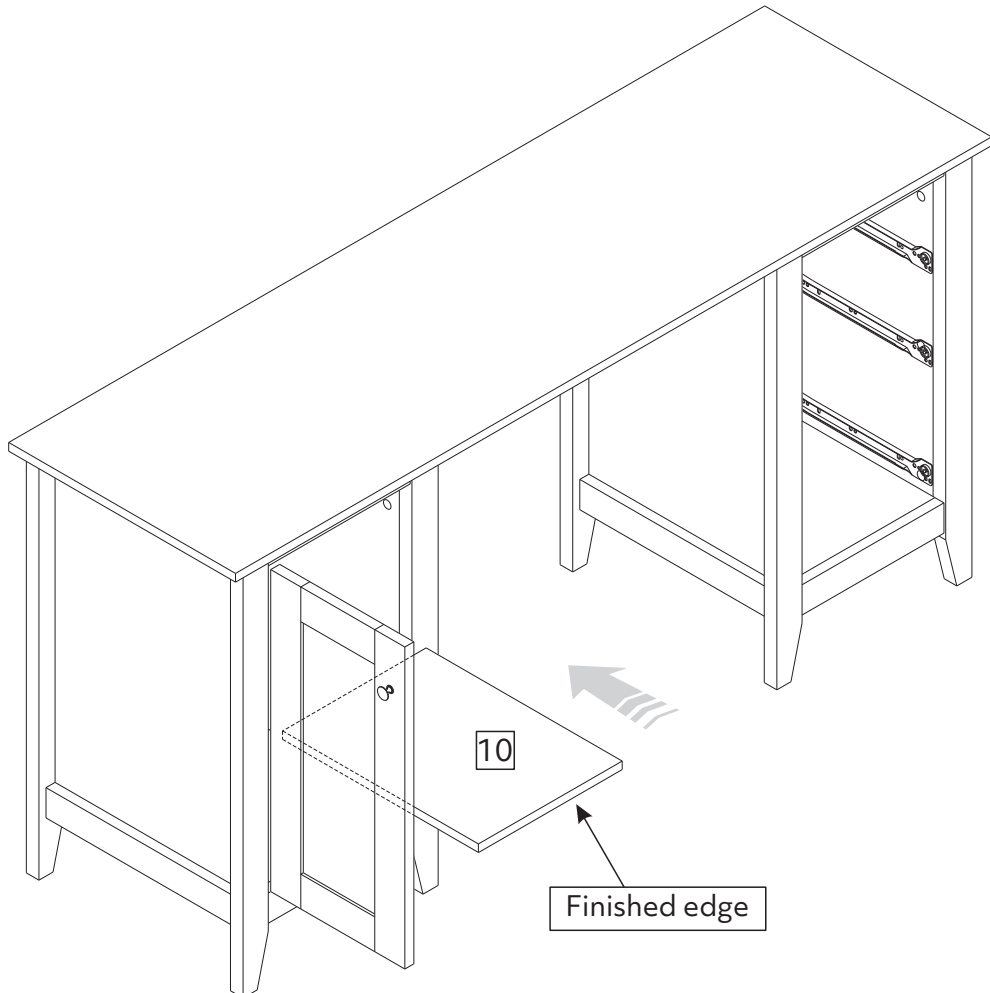
31

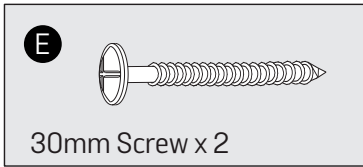


32



33





Adjust the Door if needed

a: Before adjusting the Door, use a Spirit Level to check the Top (or Base) of the unit is level, front-to-back and side-to-side in the 3 positions shown. Use suitable packing pieces (not supplied) to make the unit level BEFORE making any adjustment to the Hinges, as shown.

b: Height adjustment.

Loosen screws A on Hinge Plates and move Door up or down as required. Retighten screw A.

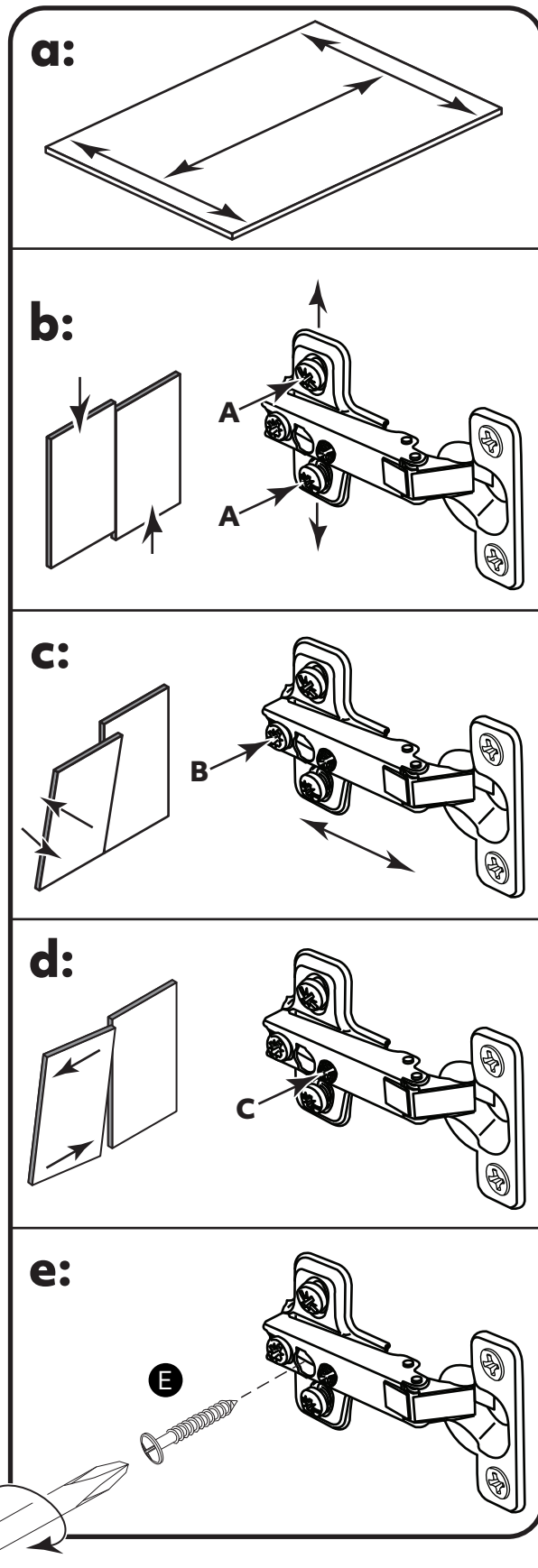
c: Forward and Back adjustment.

Loosen screw B on Hinge Plate and move Door in or out as required. Retighten screw B.

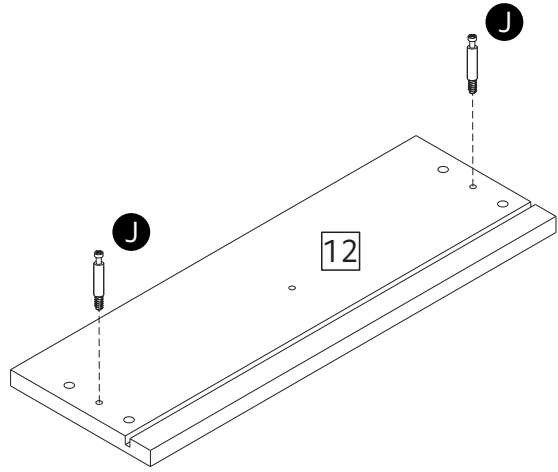
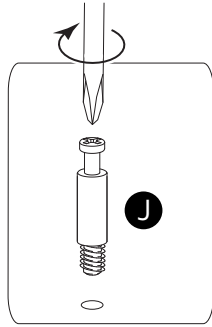
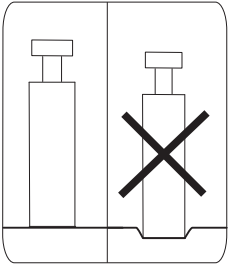
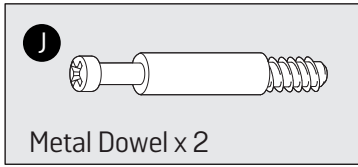
d: Sideways adjustment.

To move Door 'out' loosen screw C. To move Door 'in' tighten screw C.

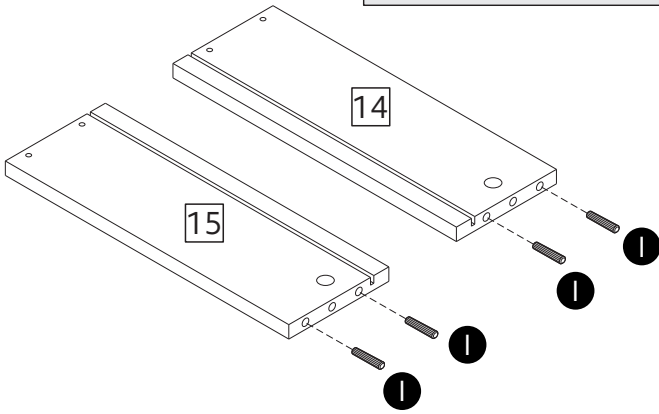
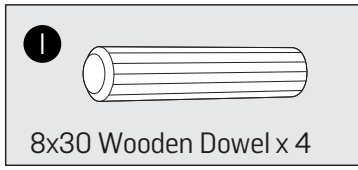
e: After adjust the Door, fix hinge using screws **E**.



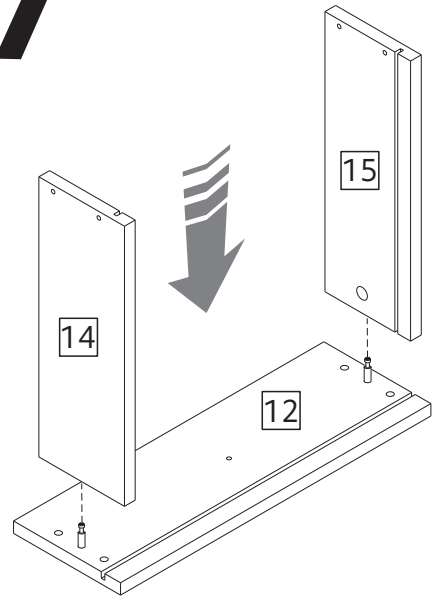
35



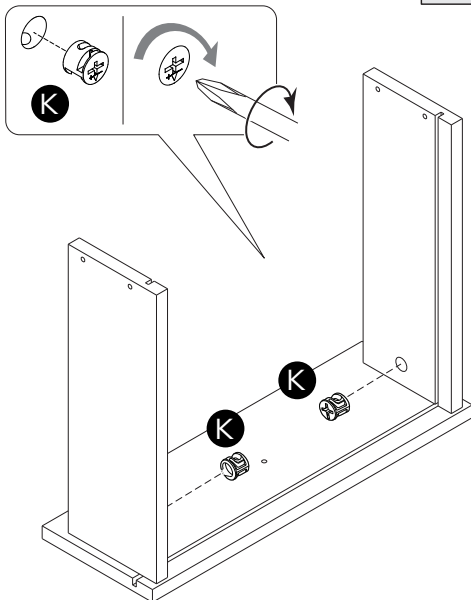
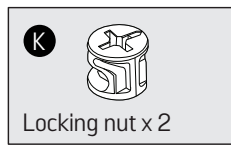
36



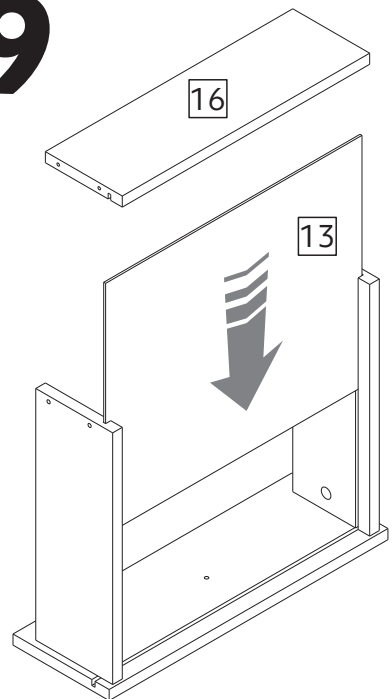
37



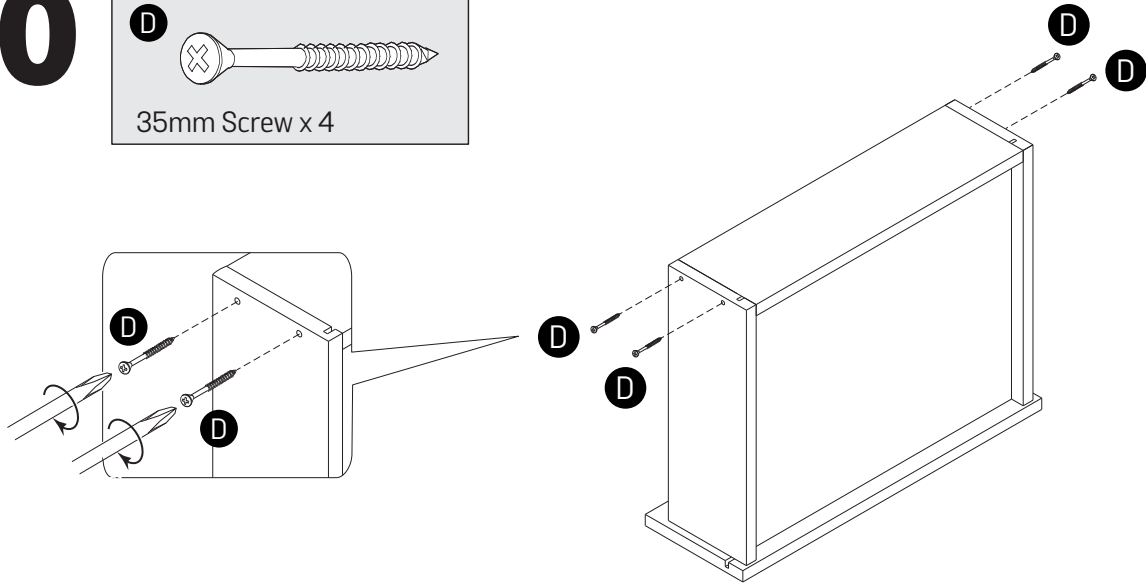
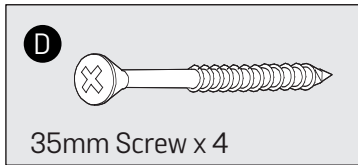
38



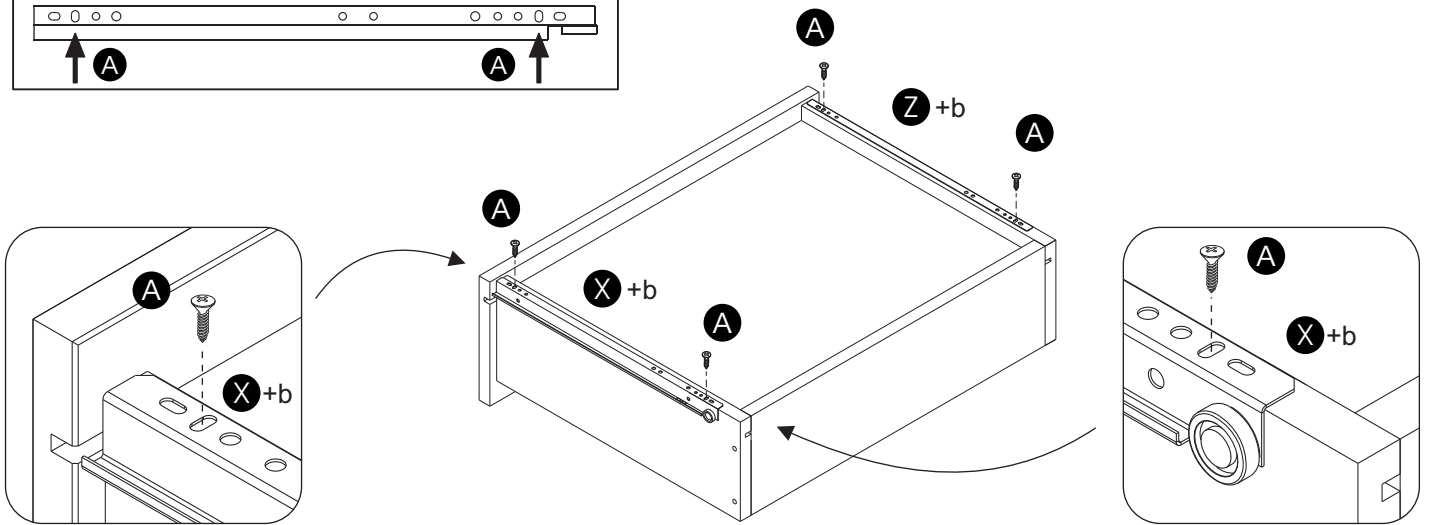
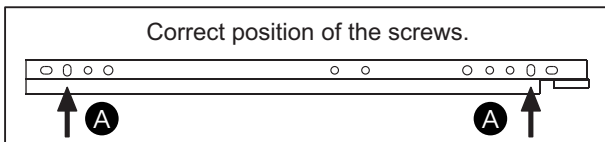
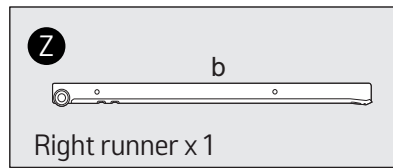
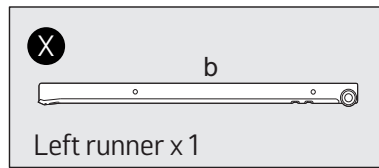
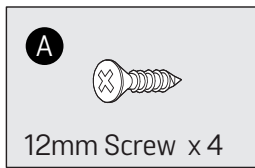
39



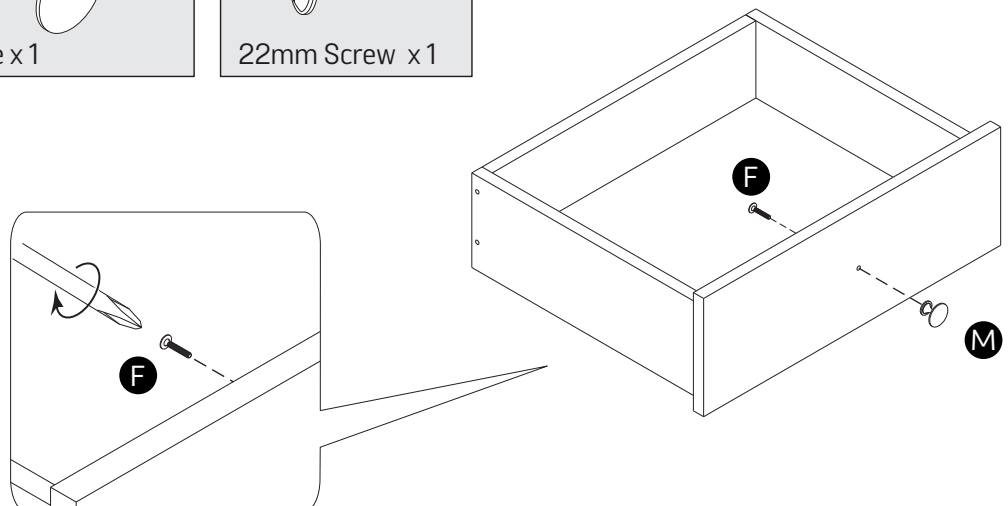
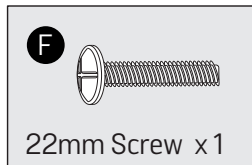
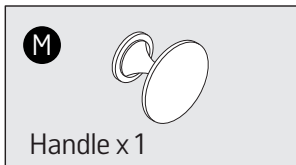
40



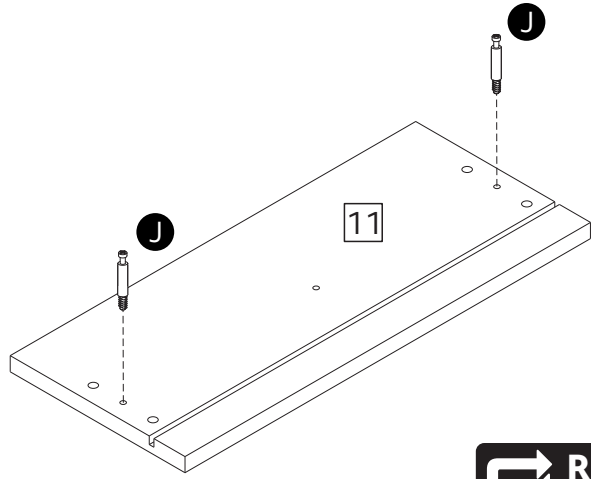
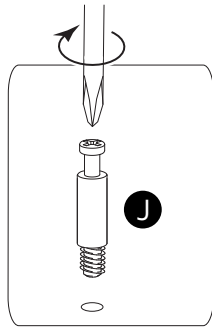
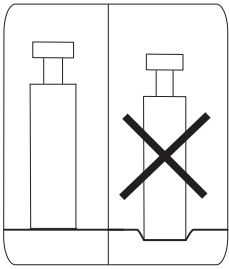
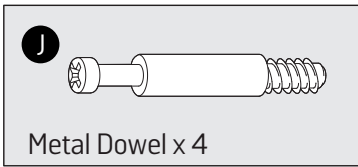
41



42

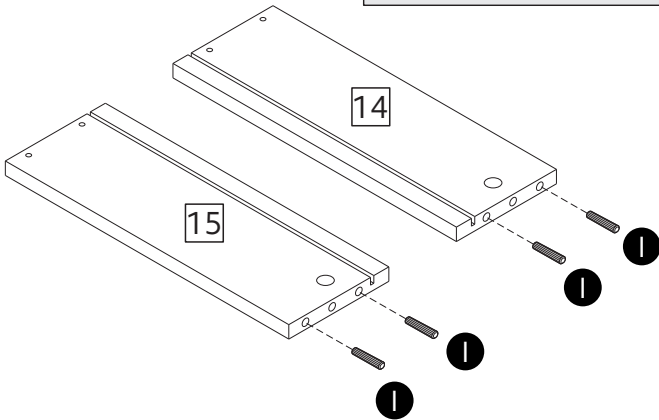
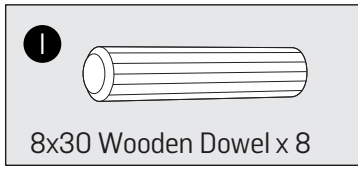


43



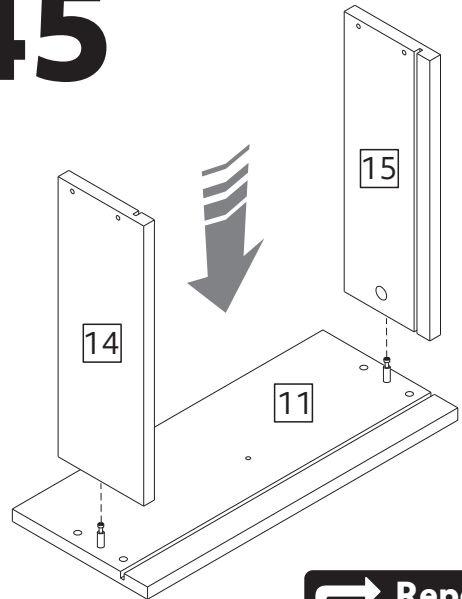
 Repeat x2

44



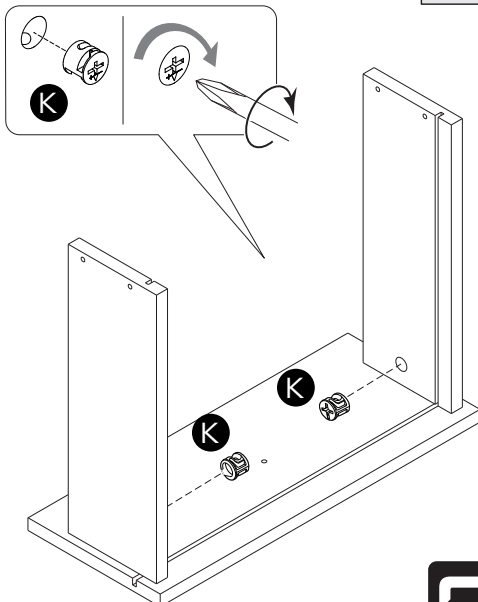
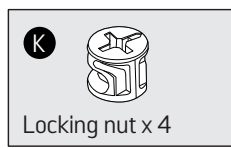
 Repeat x2

45



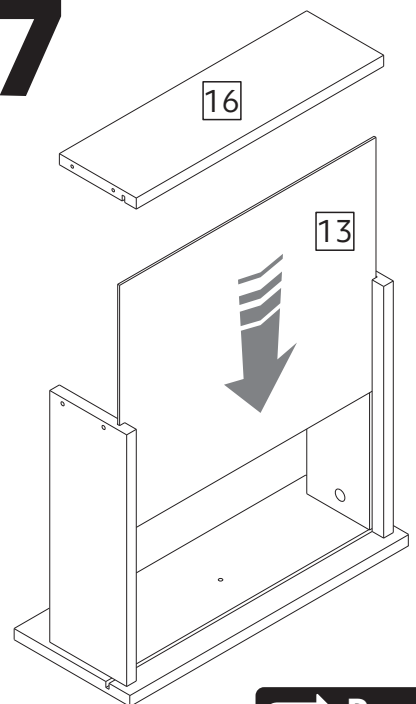
 Repeat x2

46



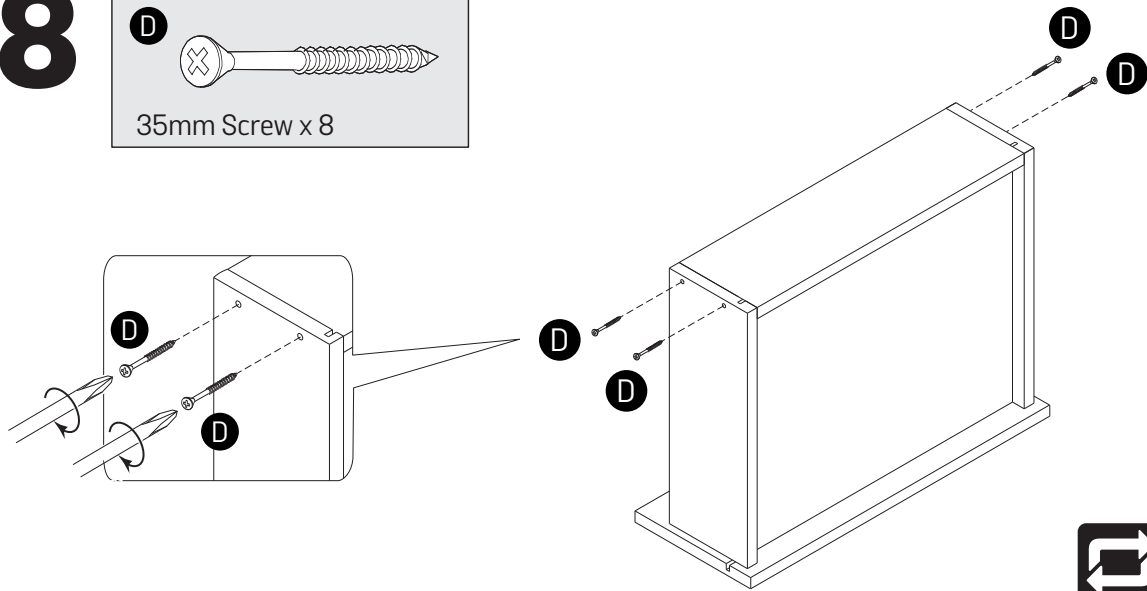
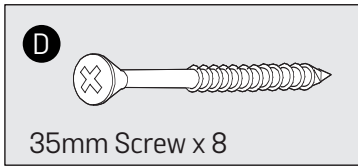
 Repeat x2

47

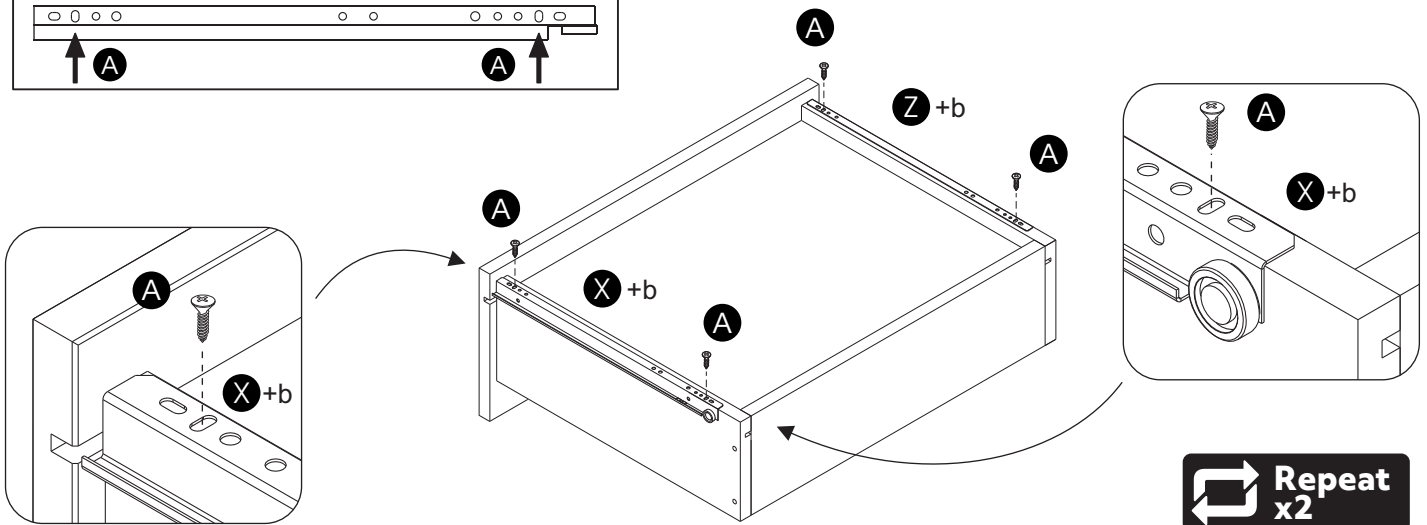
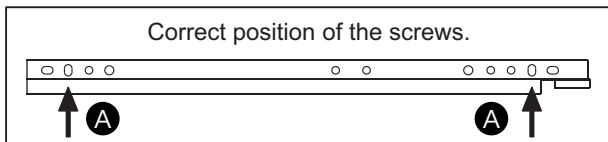
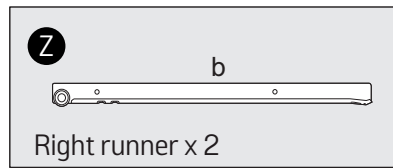
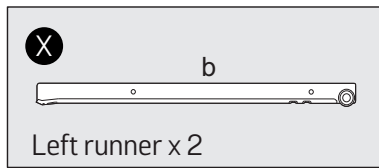
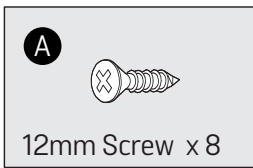


 Repeat x2

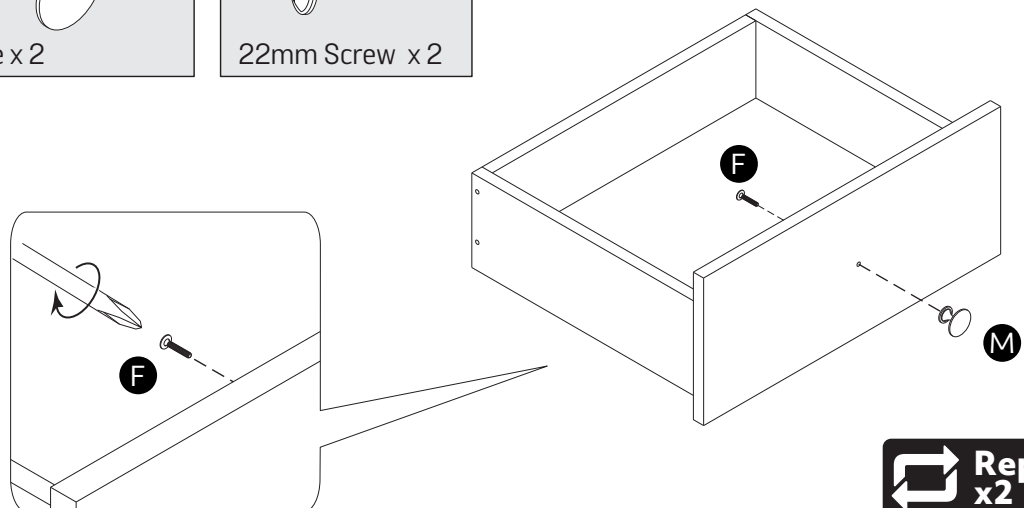
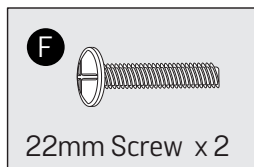
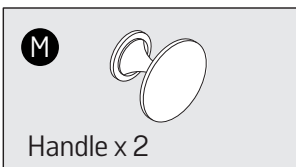
48



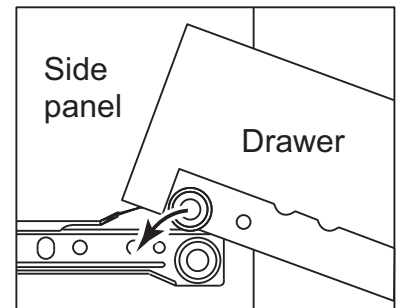
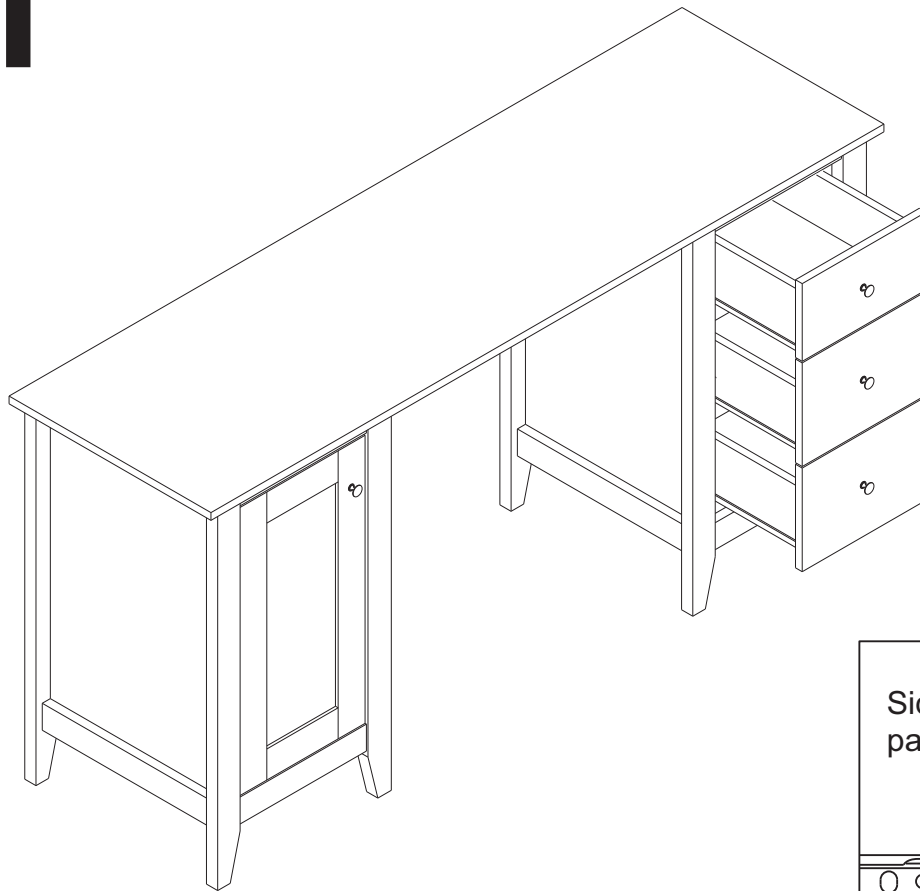
49



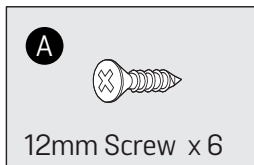
50



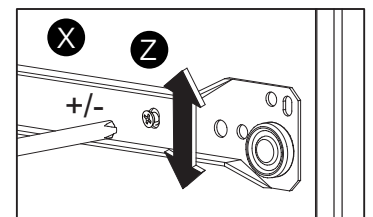
51



52



a:



b:

