

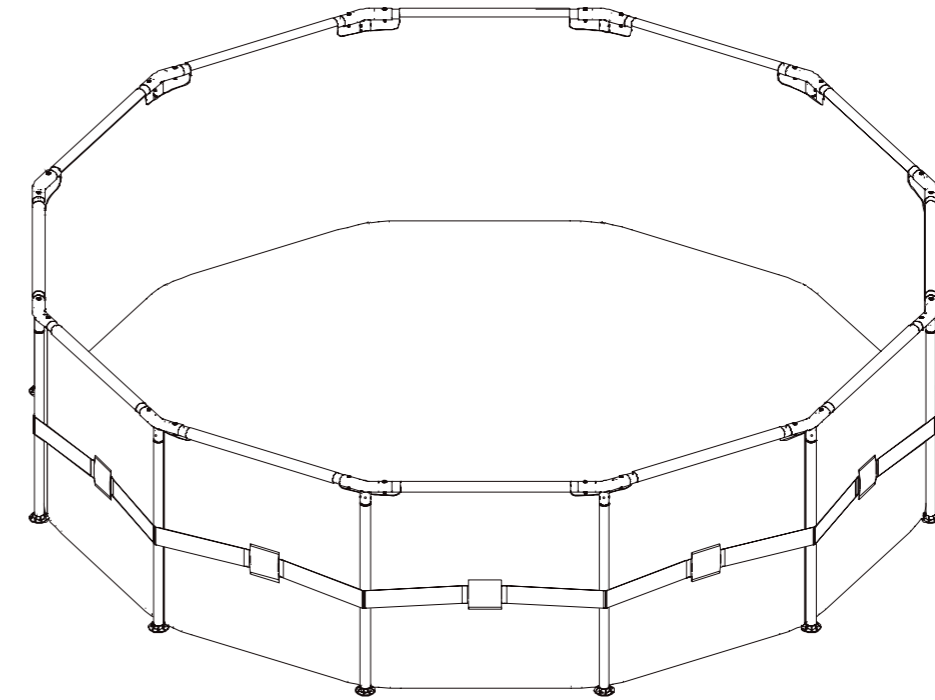
# INSTRUCTION MANUAL - FRAME POOL

Customer Service Representative: The Hollow Ravensthorpe  
Northamptonshire United Kingdom NN6 8EN  
WWW.POLYGROUP.COM Helpline: 01702 208 172

DISTRIBUTED BY: POLYGROUP LIMITED (MCO)  
Avenida Xian Xing Hai, Centro Golden Dragon, 11 Andar M, Macau

## DISASSEMBLY AND STORAGE INSTRUCTIONS

- (a) Pool must be stored if temperatures are expected to fall below 5°C.
- (b) All parts should be cleaned with a mild soap and lukewarm water only - DO NOT use detergent or hot water.
- (c) Make sure all parts are dry before storing to help prevent mildew from forming.
- (d) Store all parts in a dry heated area where temperatures do not go below 5°C or above 40°C.
- (e) You must follow the assembly instructions to reassemble your pool next season. Pool site must be cleared and leveled again before setting up your pool.
- (f) To drain the pool, locate the drain plug on the outside of the pool wall and remove the drain cap. Attach a garden hose onto the drain plug. Extend the hose to the area where the water is to be drained. When you have placed the garden hose where desired, the drain plug on the inside of the pool can be opened.
- (g) Remove any remaining water as you wash and completely dry pool using a soft cotton cloth. Push the drain plug into the fitting and replace the cap.
- (h) Disassemble the metal frame by depressing the plastic buttons sliding the metal tubes apart or by removing the plastic pins holding them together again sliding those pieces apart, clean them and wipe them dry. If in doubt of proper disassembly refer to the set-up sheet for the pool and reverse those steps. Place them all together in a safe storage place for reassembly next season.
- (i) Solar blankets, leaf covers, ladders, etc., should be cleaned and dried before storing.



## SAFETY INSTRUCTIONS: EXTREMELY IMPORTANT!!

- (a) Read and follow all instructions. Please retain this information for future reference.
- (b) **Warning!** Always follow the instructions provided for the assembly, use and maintenance of this product.
- (c) **Warning!** Only to be used under the direct supervision of an adult. Never leave children unsupervised in or near water, even for the shortest time.
- (d) To avoid puncturing place on a clean even surface free from stones and other sharp debris.
- (e) **Warning!** Before starting, check all pipes and accessories for correct installation and reliable connection.
- (f) Never place the pool in another body of water.
- (g) **Warning!** Not suitable for children under the age of 36 months as small part(s) might be generated - choking hazard.
- (h) Packaging materials are not toys. Please remove all packaging and packing tags / wires before giving this toy to your child.
- (i) Never allow diving or jumping into or around the pool. Serious injury, paralysis or death could result when this rule is disregarded.
- (j) Always have a well-lit area for using the pool. It is important to make sure all swimmers can see the pool bottom.
- (k) Never lift or remove the item when filled with water as this may damage the pool.
- (l) For cleanliness purpose, regularly refill the pool with clean water.
- (m) Only fill item to level indicated.
- (n) Please take note: As an extra precaution, check this pool regularly for signs of wear or damage.
- (o) Empty, drain, rinse and dry the pool before storing.
- (p) If your pool includes a pump, please refer to the filter pump Manual for assembly.

Importer: Argos Ltd  
Address: 488-499 Avebury Boulevard, Central Milton Keynes, MK9 2NW

# POOL INSTALLATION INSTRUCTIONS

- (a) Select a level and flat location to install your pool. Remove all sharp objects and debris before setting up the pool. If possible, choose an open location on your property that is exposed to direct sunlight. This will help to warm up your pool water. Do not select an area that is directly under overhead electrical lines, trees or within 15 feet of a house, building, etc. Additionally, check that no underground cables, telephone lines, gas lines, etc. run beneath the area you have selected.
- (b) After a suitable and carefully selected site for the pool has been determined, proceed to set up the pool according to the following directions.
- (c) Adult assembly required.
- (d) Now unpack the pool carefully and lay it over the ground. Properly position the pool. Do not drag the pool, as it may rip the pool or cause other damages like small holes or tears.
- (e) Carefully unfold the pool, spreading out the sides and floor to make them as smooth as possible. TIP: it will be much easier to install your pool if you unfold it and let it lay in direct sunlight for about 2 hours prior to installation. This will help to insure a wrinkle-free fit because the pool material will be more pliable allowing it to stretch into shape during installation.
- (f) Locate the metal pipe and tee fittings for the frame section of the pool. The shorter pipe sections with the larger diameter and the pair of holes at both ends are the horizontal beams (91). The longer pipe sections with the smaller diameter and the spring pin (95) at one end are the vertical legs (94). Take the horizontal beams (91) and insert them into the pockets stitched along the top edge of the pool wall. Rotate it in the pocket so that the holes are on the top and bottom of the pipe protruding from each end of the pockets. Take one end of the pipe and insert it into a tee fitting aligning the holes with the holes in the horizontal beam. Do not install any of the pins (93) at this time. Continue around the pool in either direction installing all of the tee fittings onto the horizontal beams. See Fig. 1.
- (g) When you get to the last connection, install the last tee fitting on the end of one of the beams. Lift up on both of the last two beams in order to get them to insert into the tee fitting. Angle them towards each other and guide the beam into the fitting as you lower them both down together. See Fig. 2. This step may require two people. Now, begin inserting the pins (93) down through the top of the tee fittings until the pin snaps into place on the lower side of the fitting as shown in Fig. 3.
- (h) Once the top frame is assembled, locate the vertical legs (94). The vertical leg sections will have a spring pin (95) pre-installed at the top end. First, insert the leg down through the belt that runs around the middle of the pool, see Fig. 4. Now, to connect them into the top frame, push the buttons in as you insert the leg up into the tee fitting. Look through the hole in the fitting as you insert and rotate the pipe until the buttons align with the holes and pop out, locking the leg in place. Finally, take one of the leg caps (96) and insert the bottom of the vertical leg into it until it stops.
- (i) Go around and check all of the fittings, legs, and beams for proper fit, making sure that all the pins have been securely fastened in all of the holes. Grab the vertical legs at the bottom and gently pull them out making sure that they remain vertical and perpendicular to the top ring.
- (j) Make sure the drain fitting is plugged securely and the cap is in place. Start filling the pool with water. After about 1-inch of water is on the bottom, stop filling and smooth wrinkles out of the bottom of the pool making sure the bottom of the pool is flat and round equally in all directions. See Fig. 4.

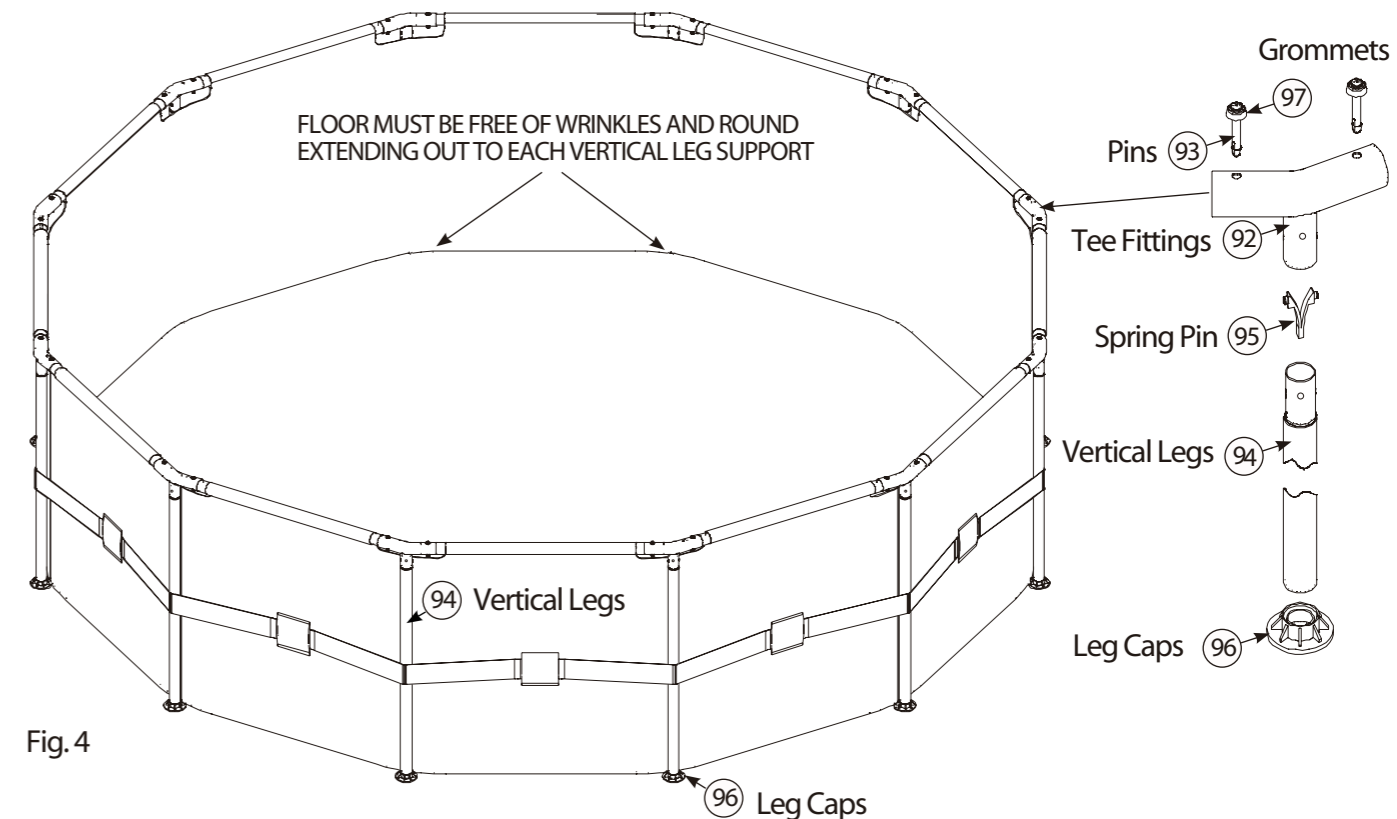


Fig. 4

## POOL MAINTENANCE

If you do not adhere to the maintenance guidelines below, your health might be at risk, especially that of your children.

**NOTE:** The filter pump is used to circulate the water and to filter small particles to keep your water free of suspended dirt particles. In order to keep your pool water clean and hygienic you must add chemicals.

To keep your pool clean:

1. Contact your local pool supply shop for advice and purchase of chemicals and PH kits. One of the most important factors to increase the life of the liner is to keep continuously clean and healthy water. Please follow strictly the instructions from professional technicians for the water treatment through the use of chemicals.
2. Locate a bucket of water next to pool to clean users' feet before entering pool.
3. Cover the pool when not in use.
4. Skim pool regularly to avoid settled dirt.
5. Change filter cartridge in filter pump every 2 weeks.
6. Gently clean any scum from the side with a clean cloth.
7. To improve the water quality we suggest to use Polygroup accessories like Skimmer, maintenance kits. Please visit our website [www.polygroup.com](http://www.polygroup.com) or contact your pool supplier. Please be careful in case of rain water, kindly check that the water level is not higher than the expected one. If so, please act consequently.

**Proper maintenance can maximize the life of your pool.**

**ATTENTION:** Do not use pump when pool is in use.

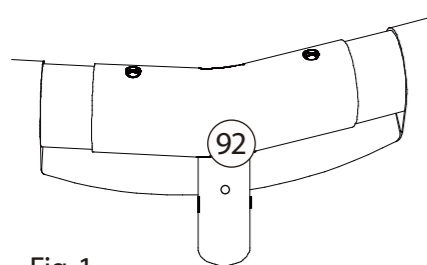


Fig. 1

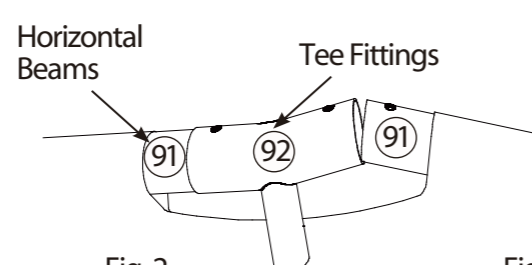


Fig. 2

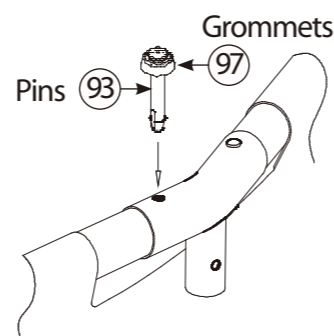


Fig. 3