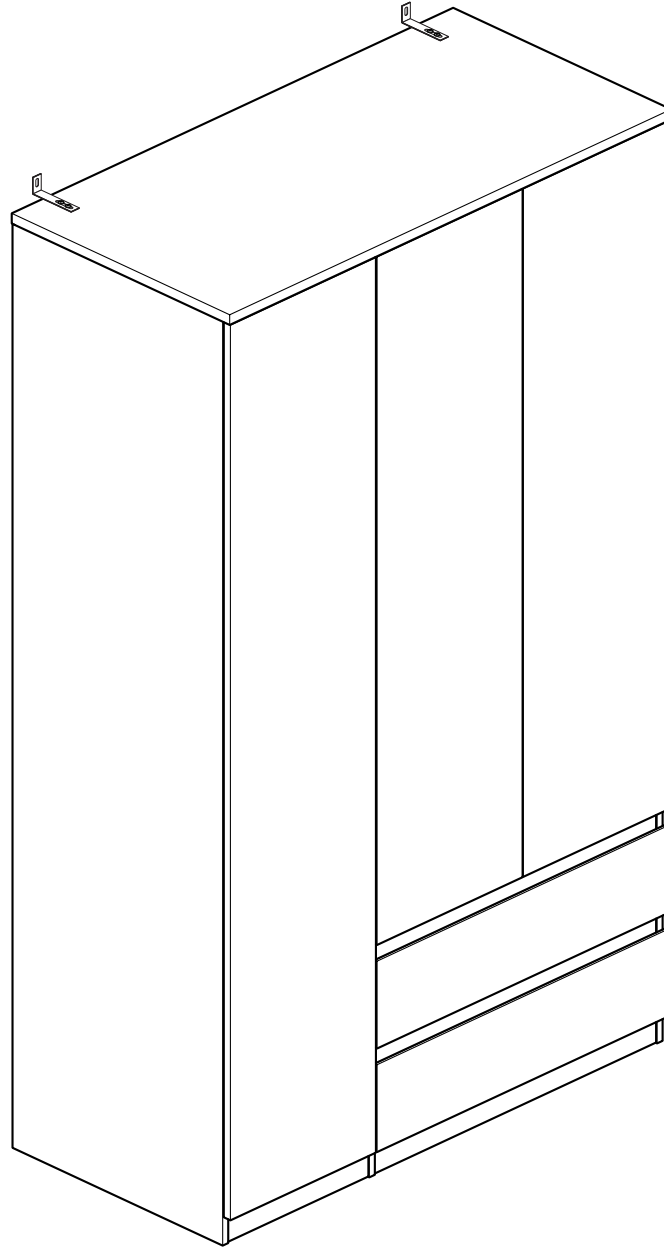


Jenson

Gloss

313/7815



IMPORTANT - Retain these instructions for future reference

Spare Parts

Visit: www.argos-support.co.uk

Email: Help@ClickSpares.co.uk

Call: 0370 112 1928

Customer Support

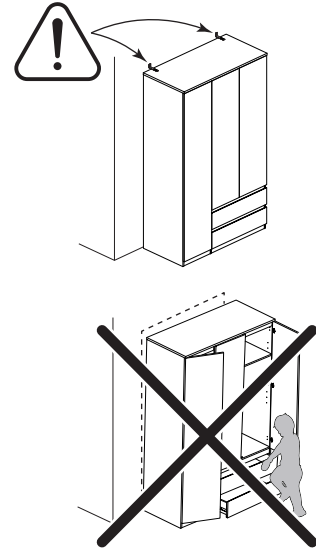
Call: 0345 640 2020

Safety

Important - Please read these instructions fully before starting assembly

- Warning: This unit weighs approximately 110kgs. Please lift with care.
- Assembly to be carried out by a competent adult only.
- During assembly children should be kept away from the product due to possible risk of injury.
- Installation shall only be carried out exactly according to the manufacturer's instructions - otherwise a safety risk can occur if incorrectly installed.
- Do not use this item if any components are missing or damaged.
- Regularly check all fastenings to ensure they are properly tightened.

- **WARNING:** To prevent possible overbalancing this unit must be secured to a wall using the 2 overbalance protector kits supplied.
- A unit that is allowed to topple can cause serious or fatal injury. In addition to wall fixing the unit, place heavy items on the lower shelves, do not put any heavy objects on top of the unit and never allow children to climb or hang on drawers, doors or shelves.
- Refer to guide after section 36 for wall fixing information.



Care Advice

- Check you have all the components and tools listed on relevant pages.
- Remove all fittings from the specified plastic bag and separate them into their groups.
- Parts of the assembly will be easier with 2 people.
- Make sure you have enough space to layout the parts before starting.
- Do not stand or put weight on the product, this could cause damage.

- Assemble the item as close to its final position (in the same room) as possible.
- Assemble on a soft level surface to avoid damaging the unit or your floor (use opened out unit carton).
- Only clean with a damp cloth.

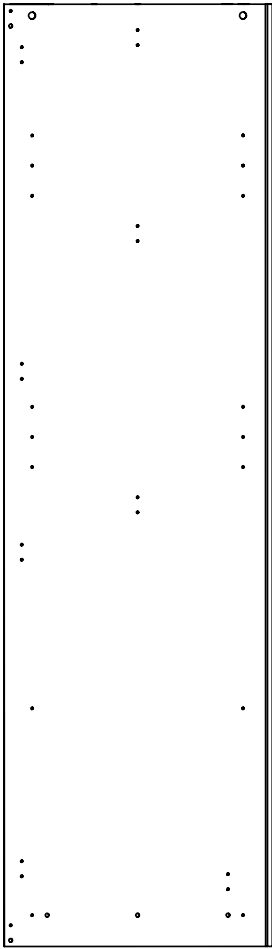


- Assembly videos are available throughout these instructions by scanning in the QR codes.



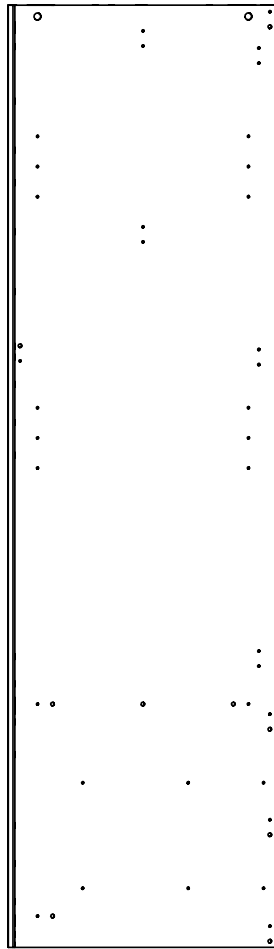
- We do not recommend the use of power drill/drivers for inserting screws, as this could damage the unit. Only use hand screwdrivers.
- Please explore a sustainable (re-selling/donation to charity) or a responsible (local tip) way of disposal at the end of use of this product.

Cabinet Panels



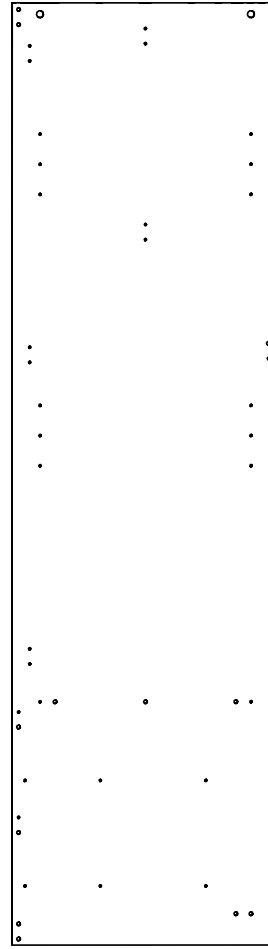
DF-00028657

1 200 x 56.9cm



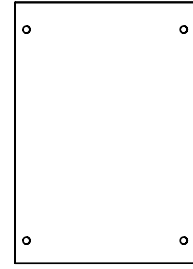
DF-00030177

2 200 x 56.9cm



DF-00028669

3 200 x 55.5cm



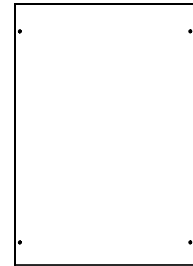
DF-00028671

4 38.2 x 55.35cm



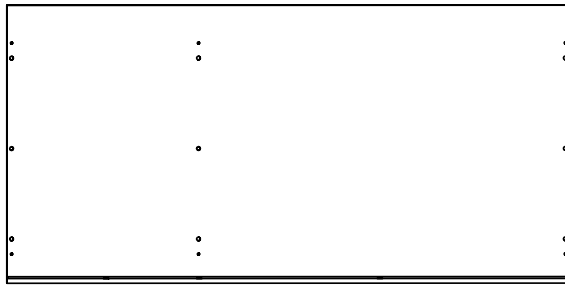
DF-00028670

5 38.2 x 5.8cm X 2



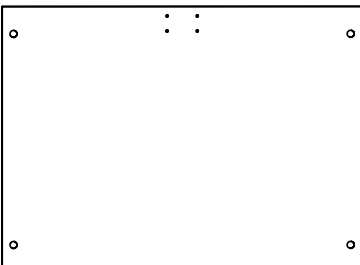
DF-00028672

6 38.2 x 55.4cm



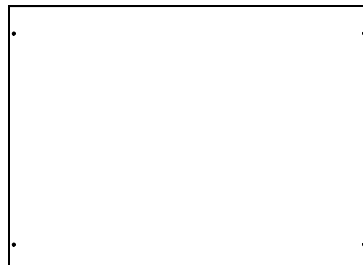
DF-00028667

7 119.5 x 59cm



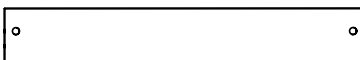
DF-00013273

8 76.4 x 55.4cm



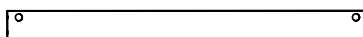
DF-00029894

9 76.4 x 55.4cm



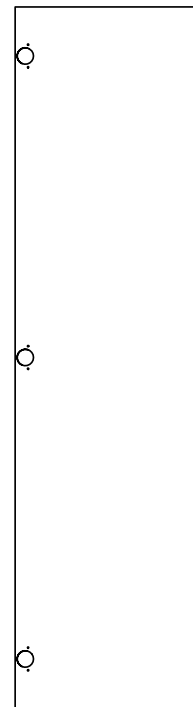
DF-00030178

10 76.4 x 11.4cm



DF-00013267

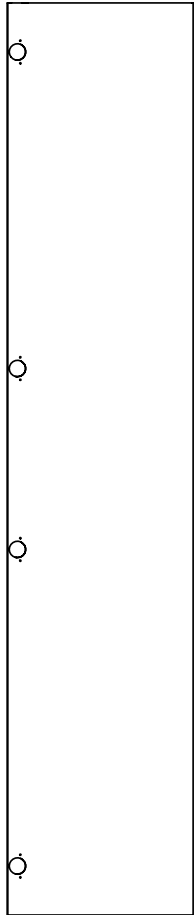
11 76.4 x 5.8cm X 5



DF-00028664

12 148.8 x 39.4cm X 2

Cabinet Panels



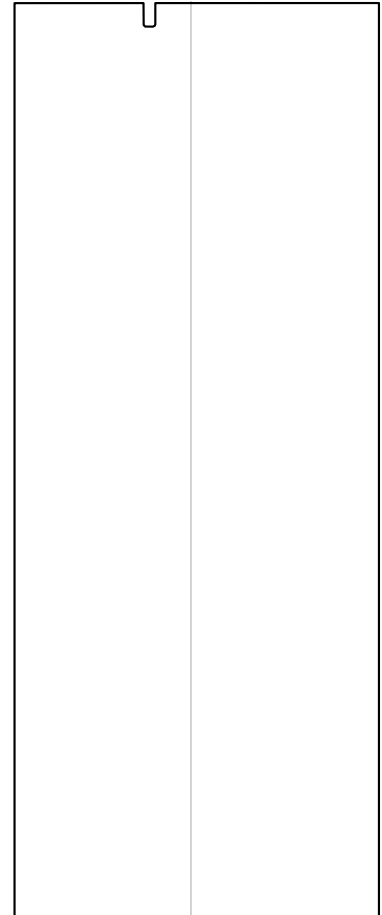
DF-00028658

13 193.6 x 39.4cm



XDF-00028673

14 194.4 x 39.4cm

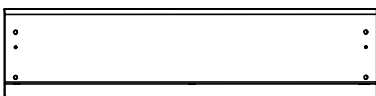


XDF-00028665_02

15 194.4 x 77.4cm

Drawer Panels

Note: the internal drawer panels are grey



DF-00013274_02

16 79 x 18.9cm X 2



WRP-00000226

17 54 x 14cm X 2



WRP-00000227

18 54 x 14cm X 2



TDF-00017181

19 74.25 x 53.7cm X 2



WRP-00000212

20 73.15 x 14cm X 2

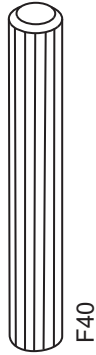
Fittings

Use these drawings to correctly identify the fittings

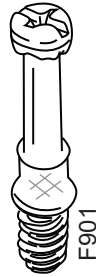
Bag 1



A x 3
F651



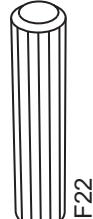
B x 3
F40



C x 24
F901



D x 30
F900



E x 31
F22



F x 6
F284



G x 20
F63



H x 12
F558



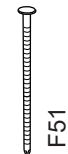
I x 12
F73



J x 8
F180



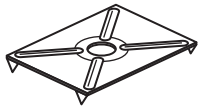
K x 11
F639



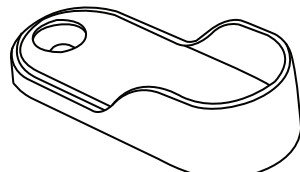
L x 8
F51



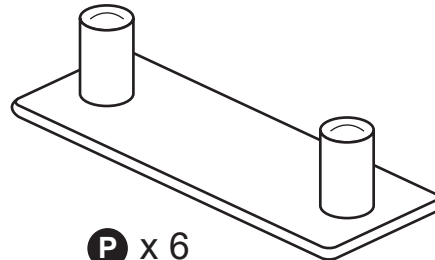
M x 10
F137



N x 6
F276

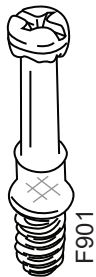


O x 6
F891



P x 6
F646

Bag 2



C x 4
F901



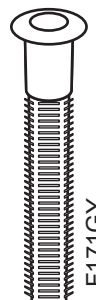
K x 8
F639



Q x 4
F3

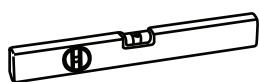
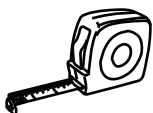


R x 4
F74



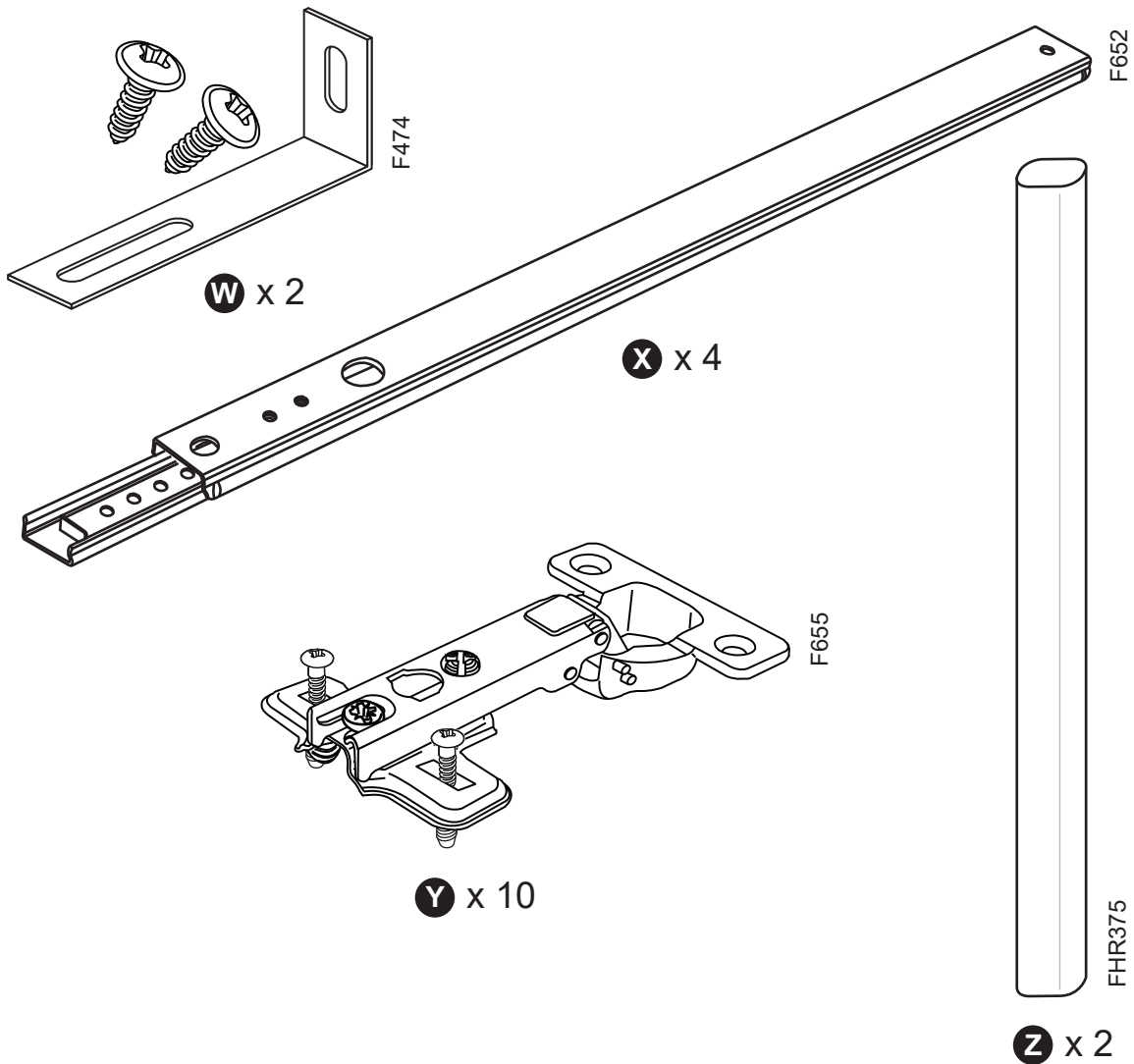
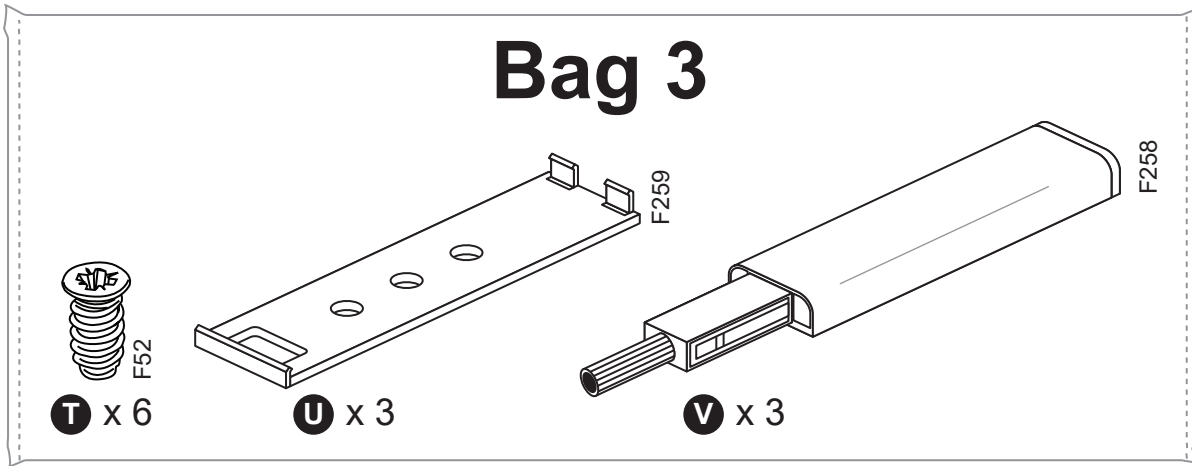
S x 8
F171GY

Tools

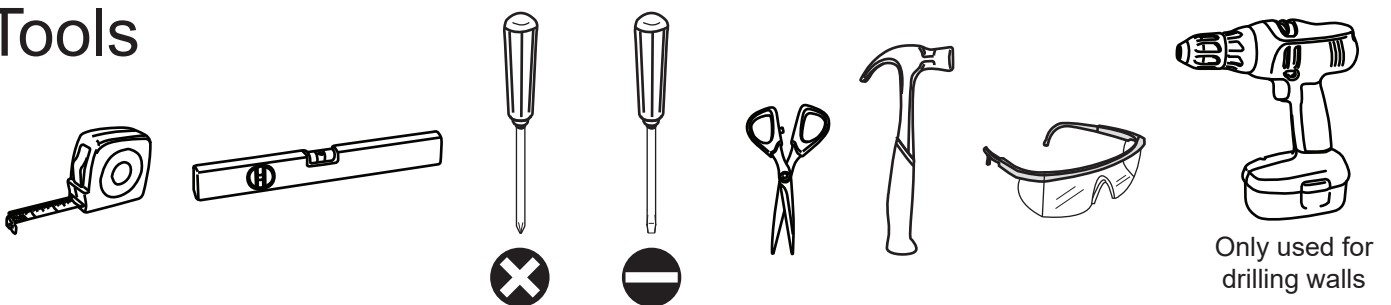


Only used for drilling walls

Fittings



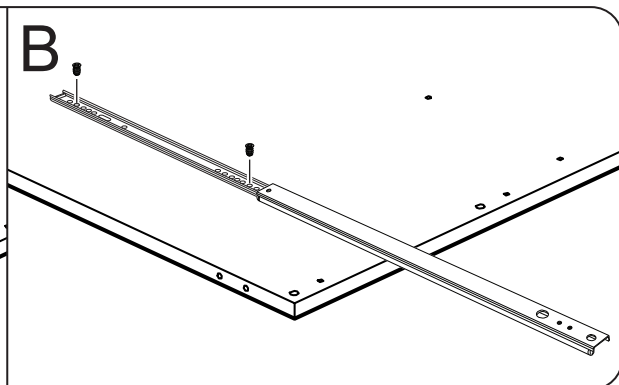
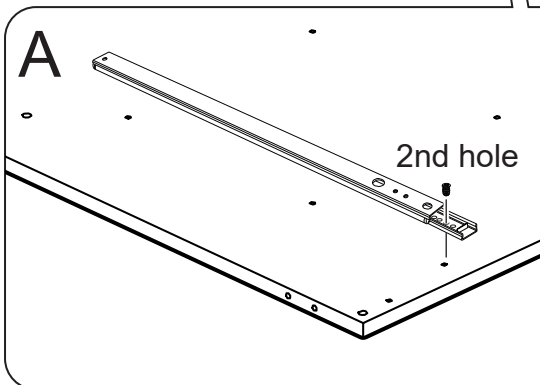
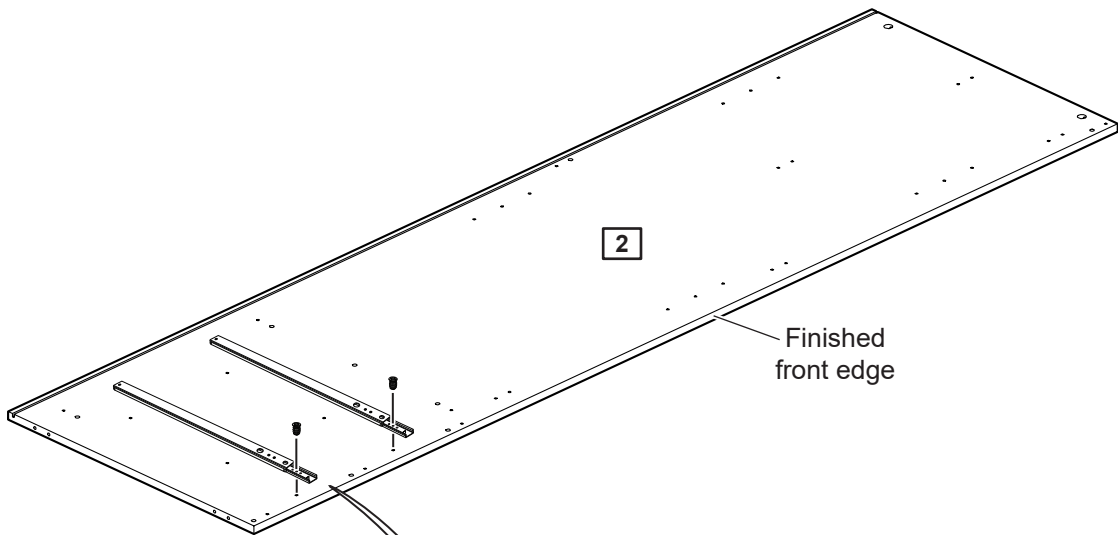
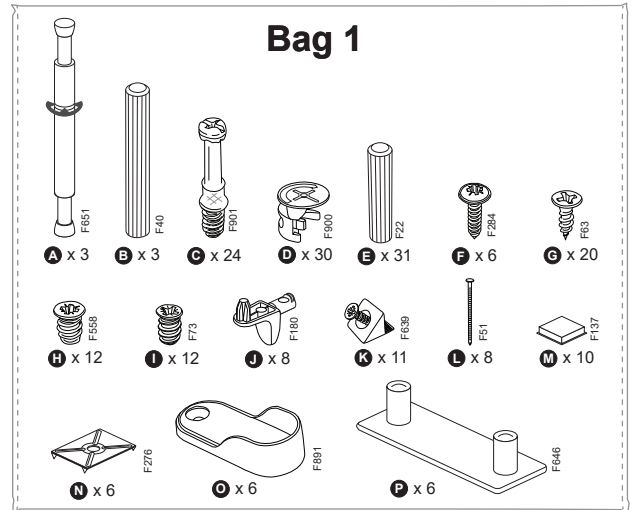
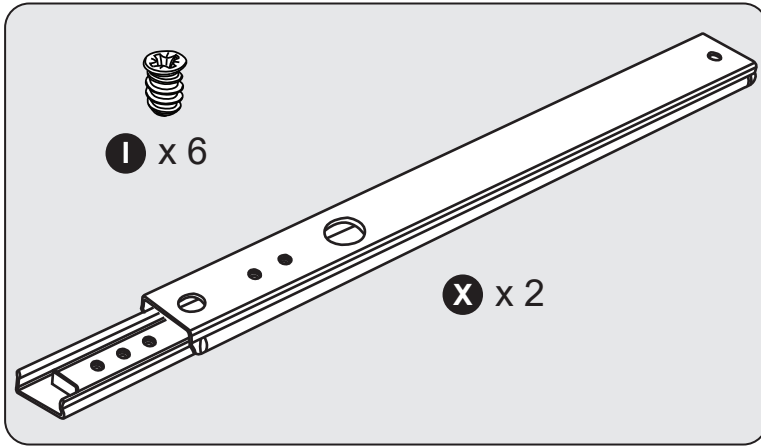
Tools



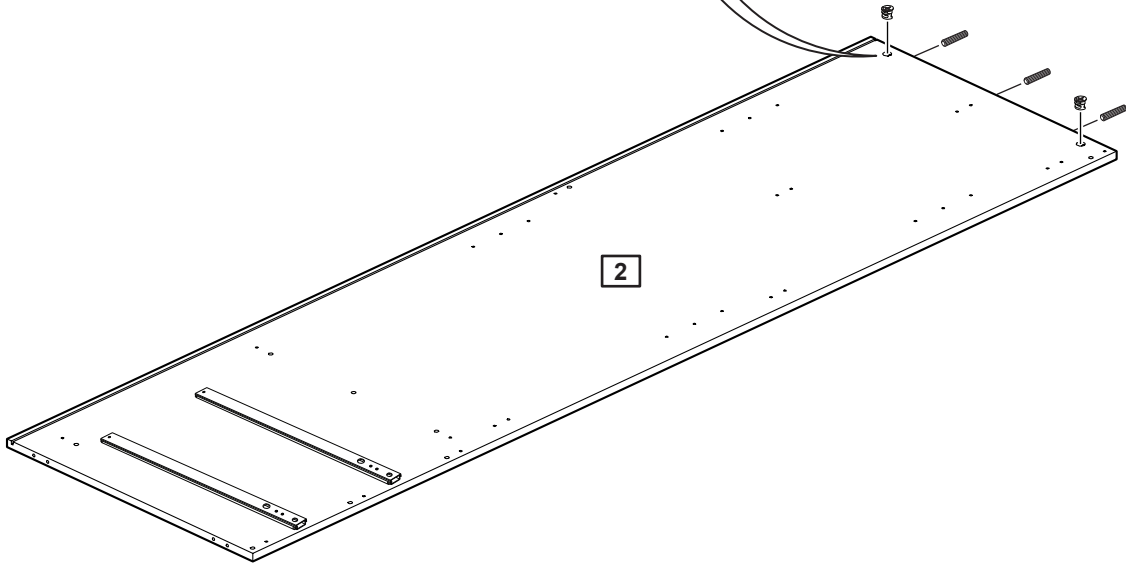
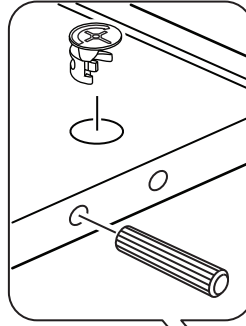
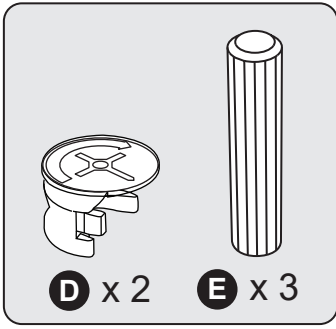
1



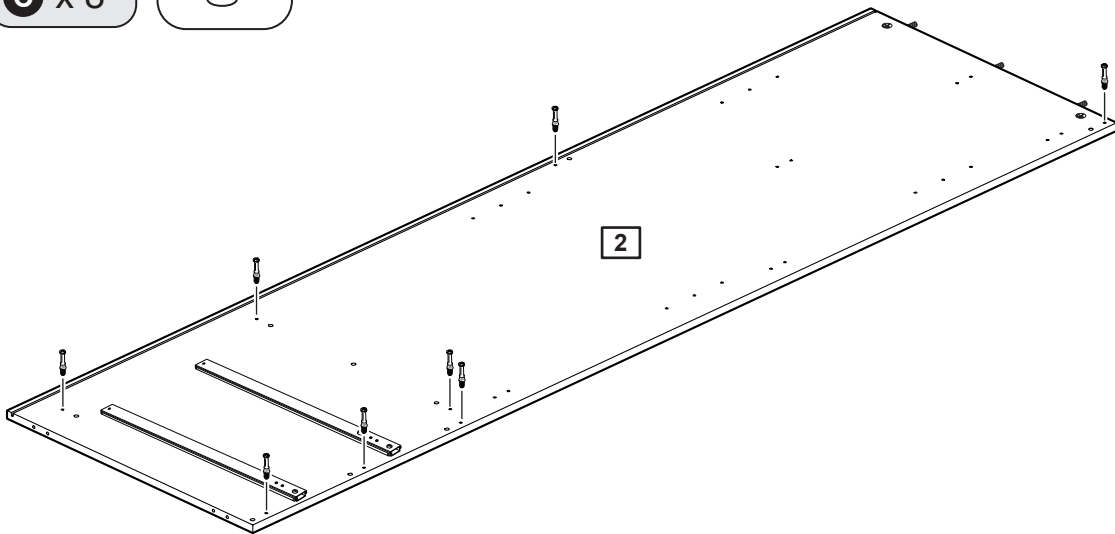
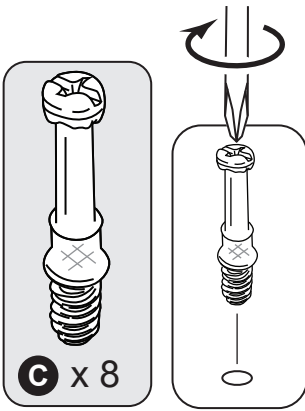
Fitting Ball Bearing Runners
www.youtube.com/watch?v=yG4xtiJJeSg



2



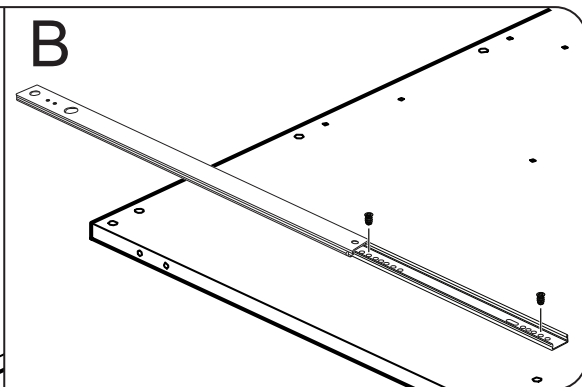
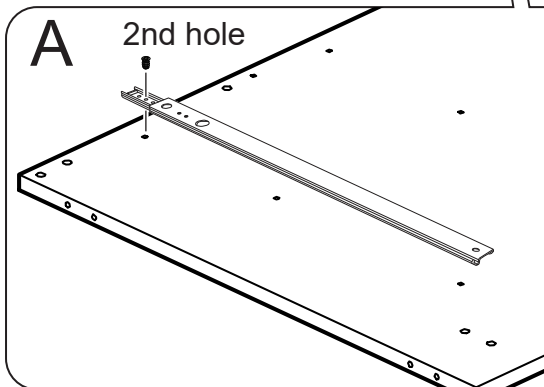
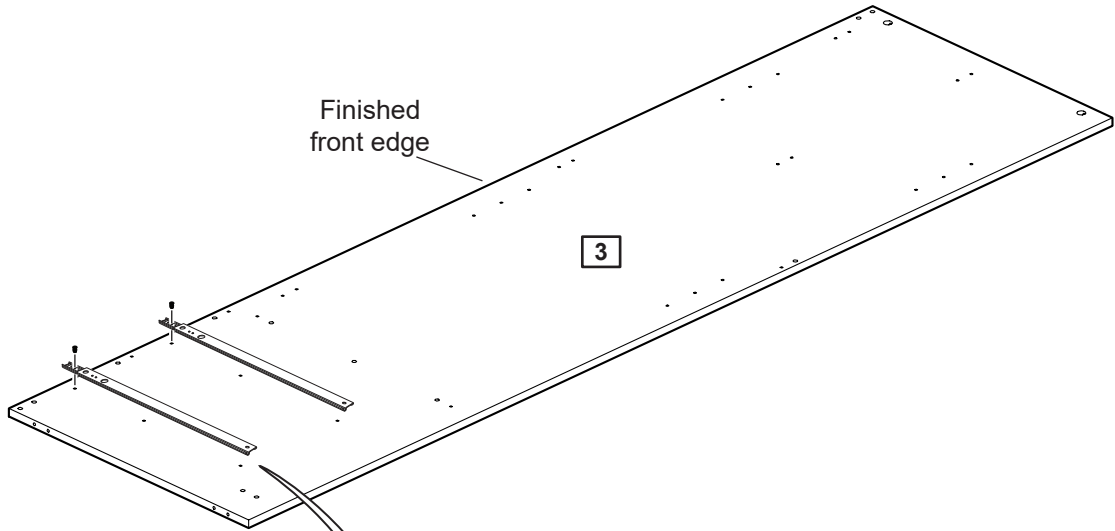
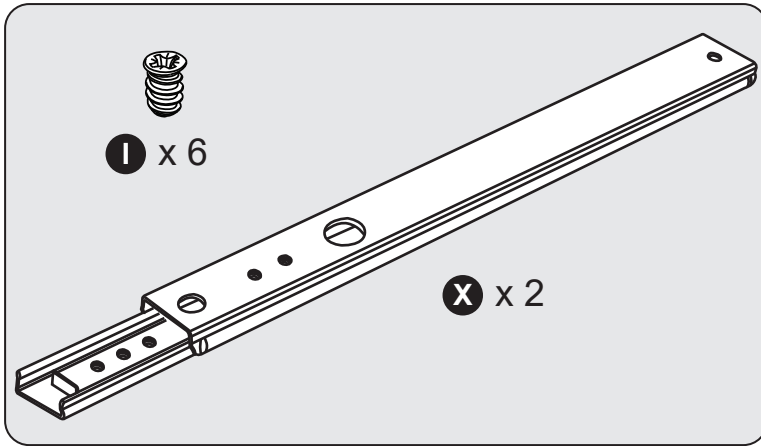
3



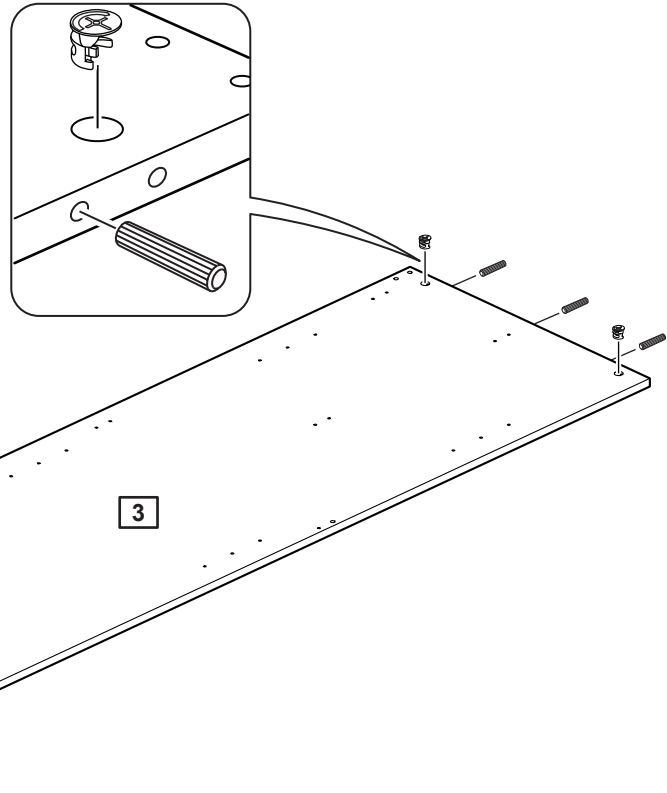
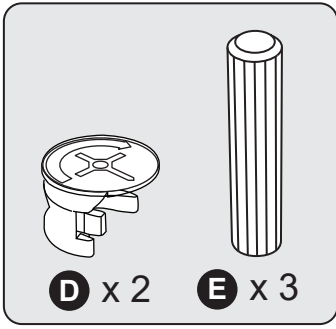
4



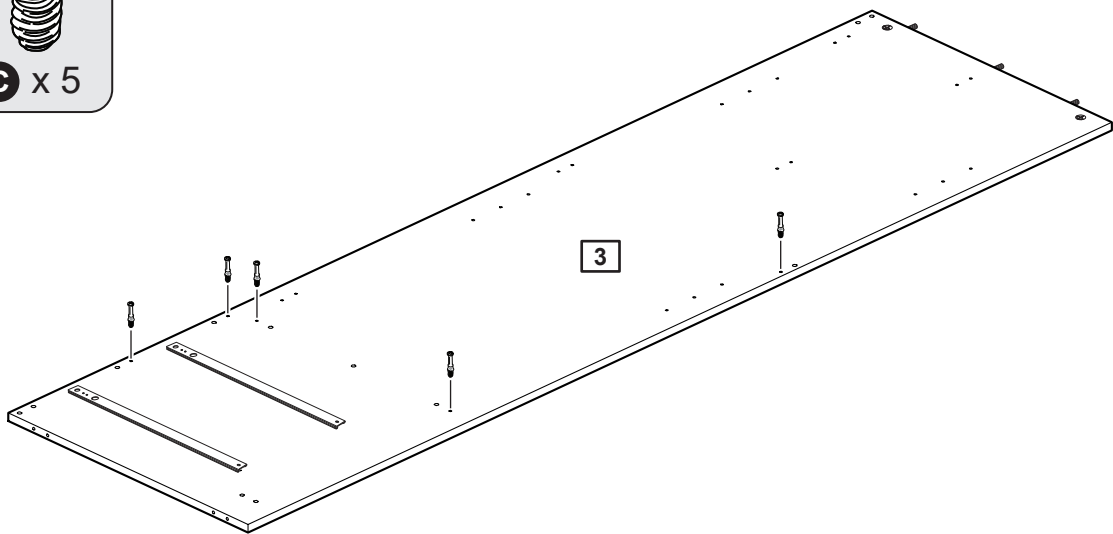
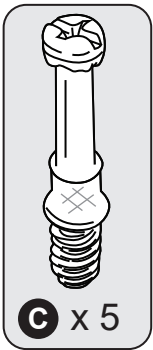
Fitting Ball Bearing Runners
www.youtube.com/watch?v=yG4xtiJJeSg



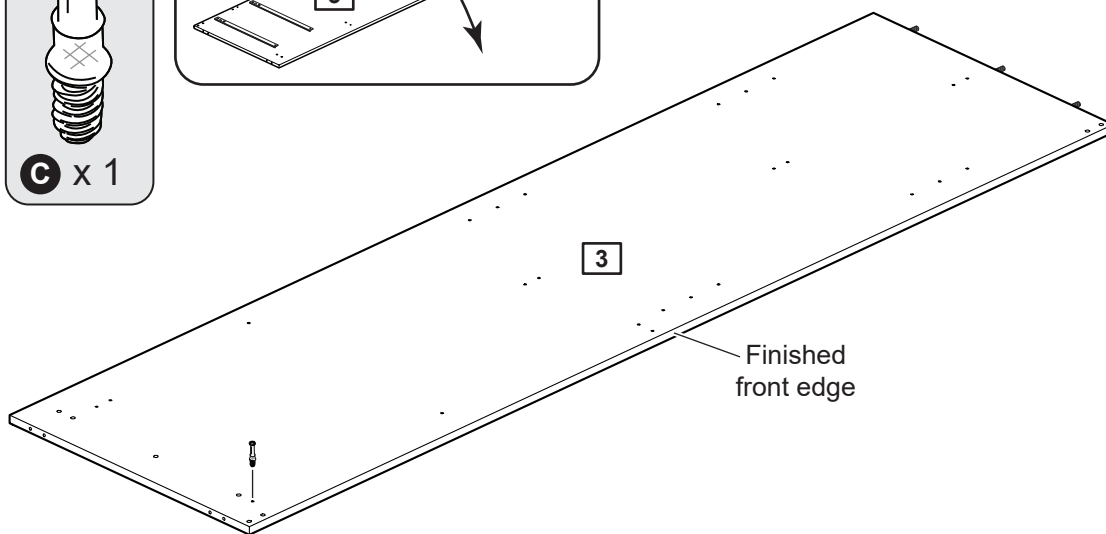
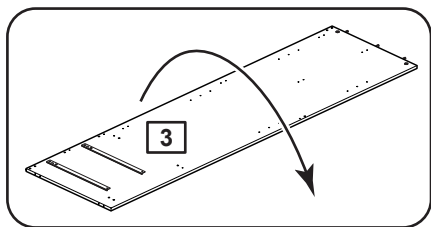
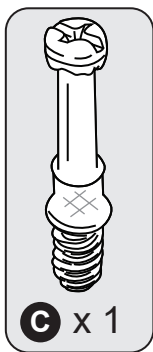
5



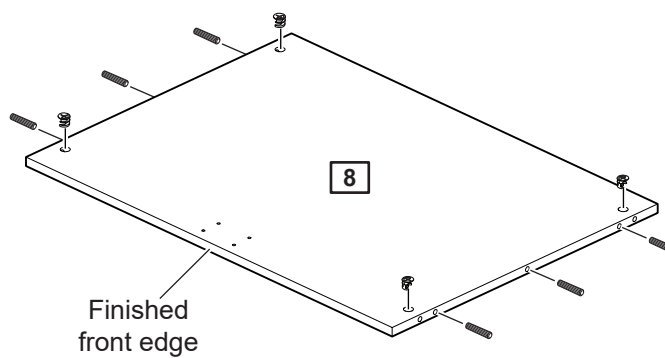
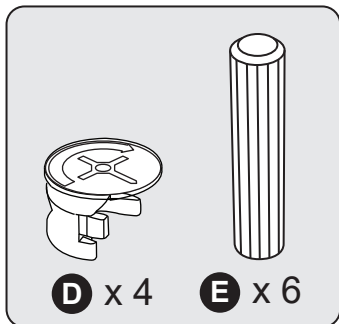
6



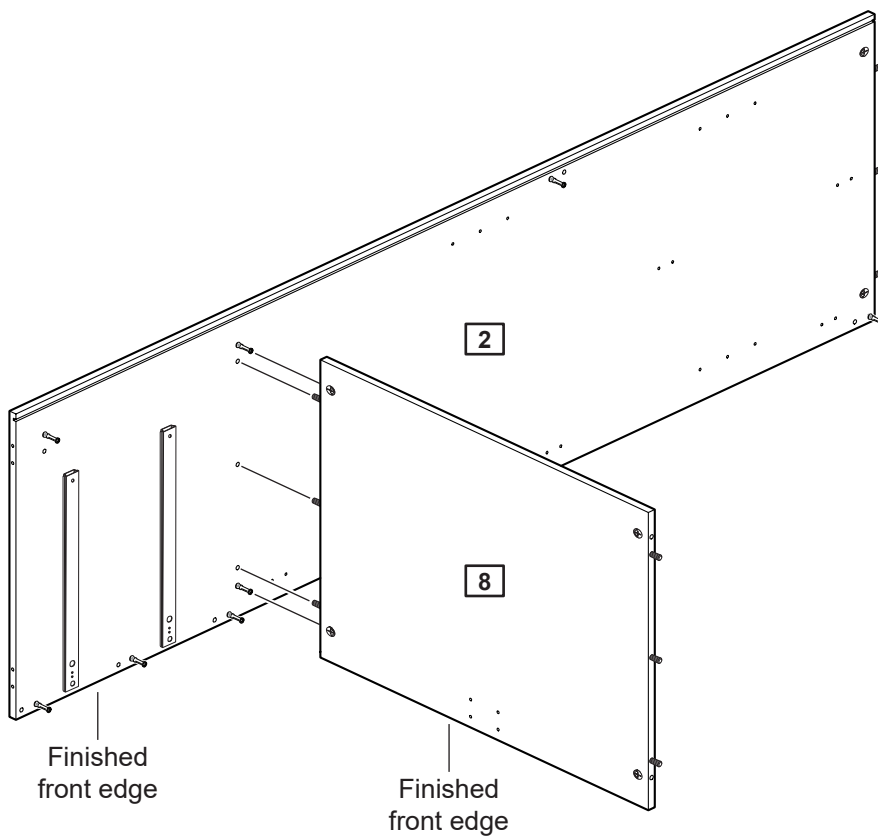
7



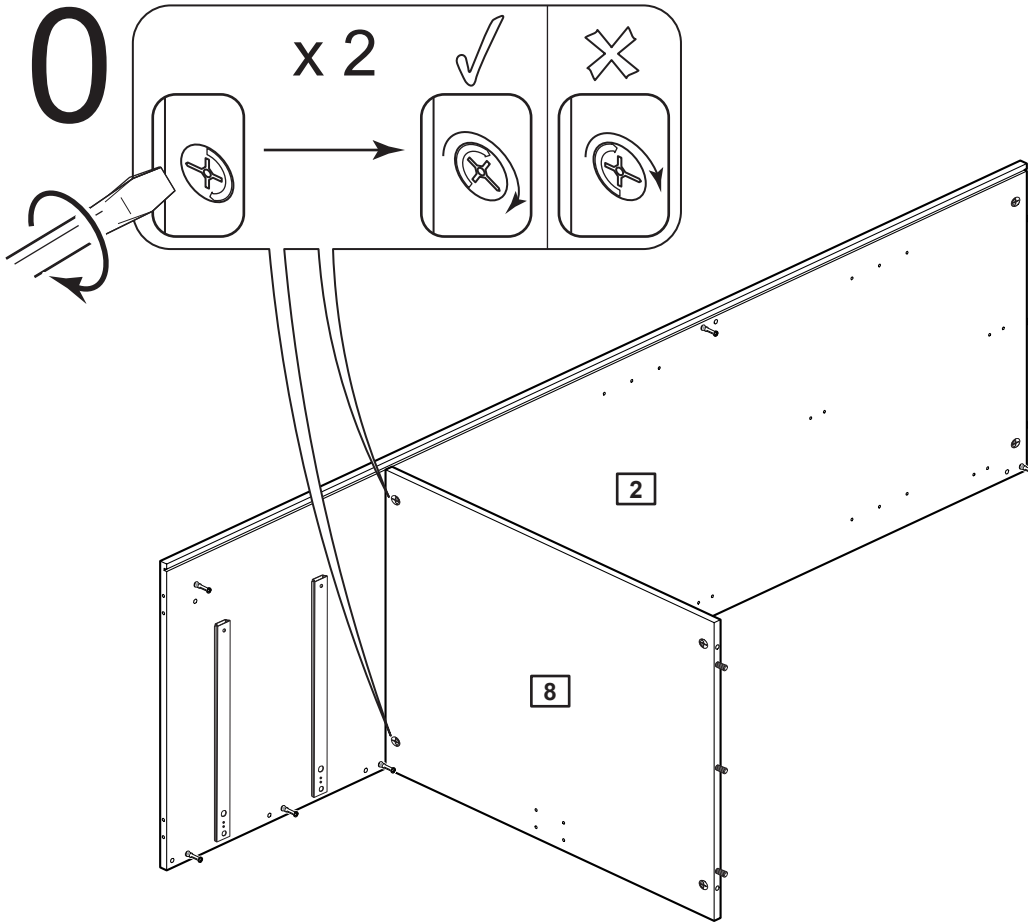
8



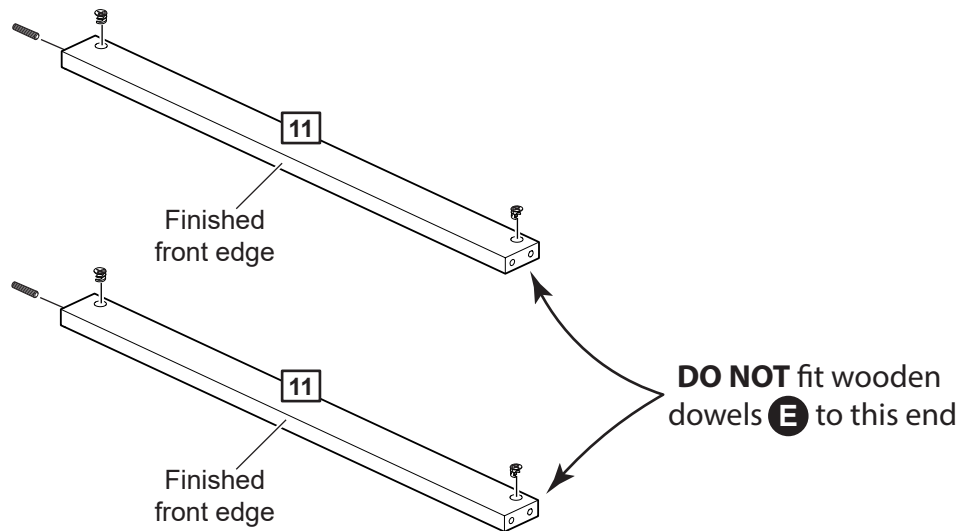
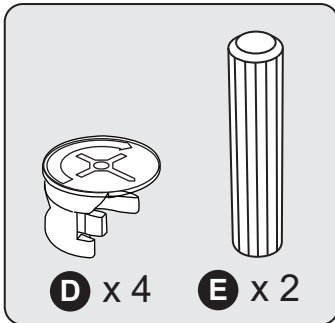
9



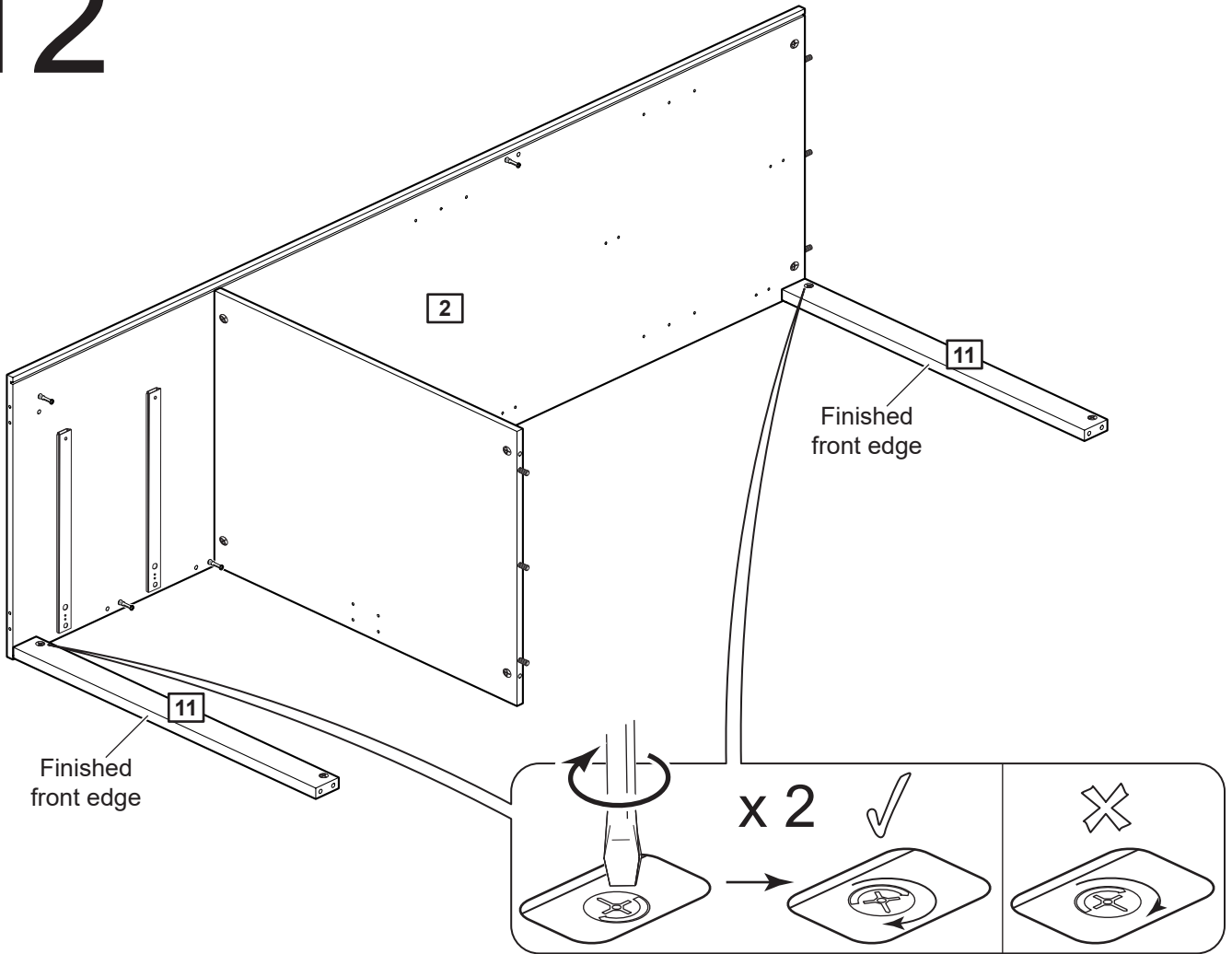
10



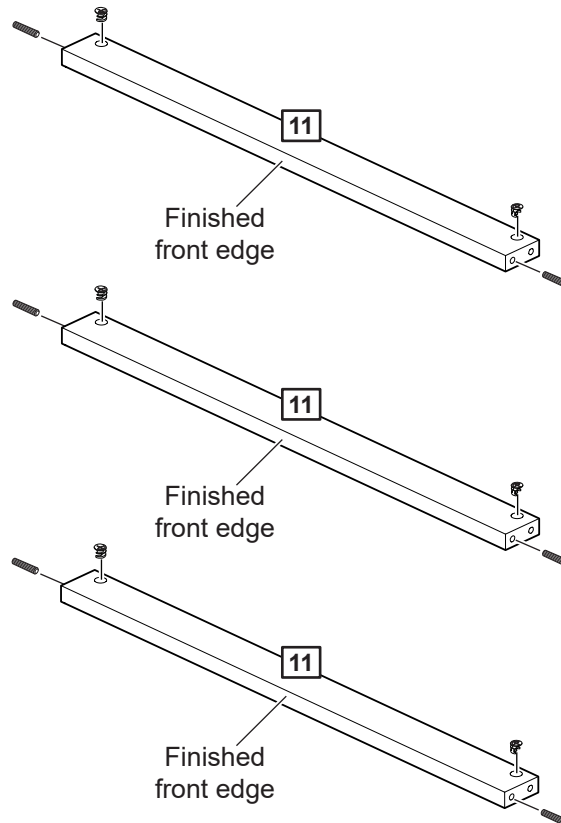
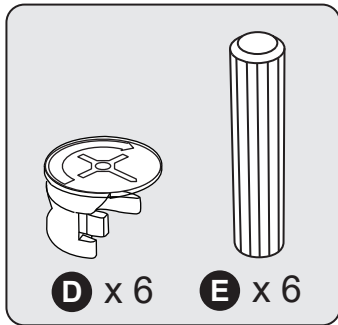
11



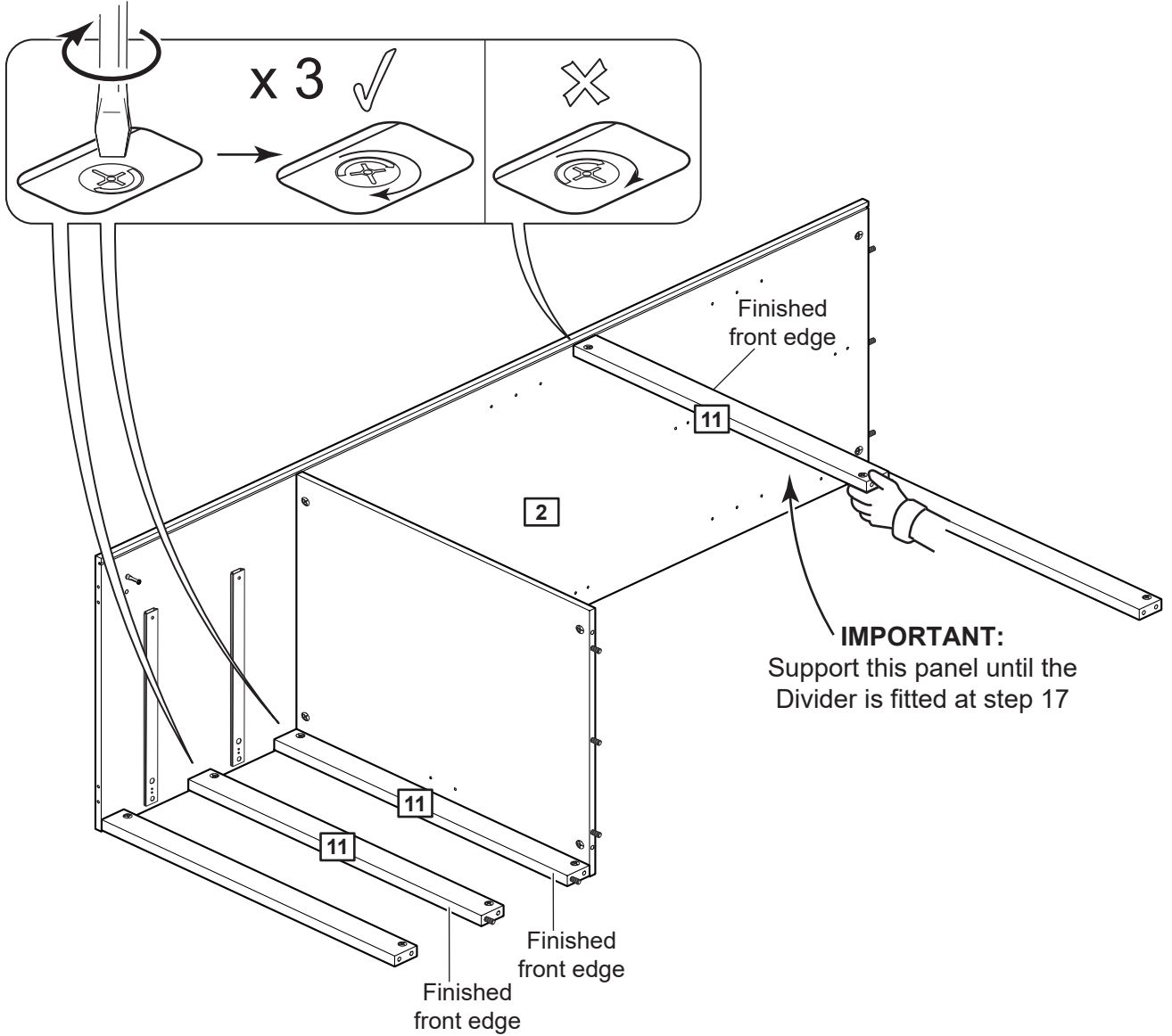
12



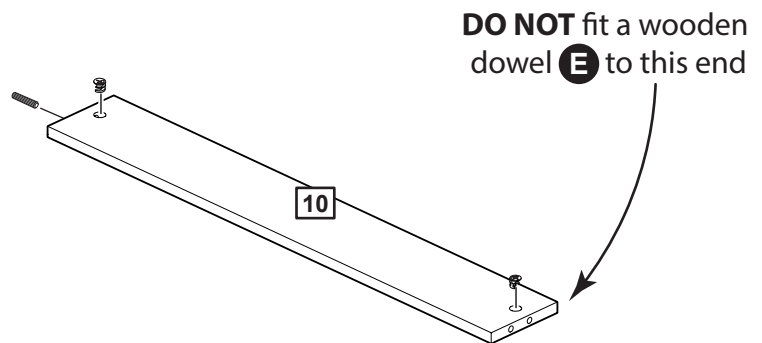
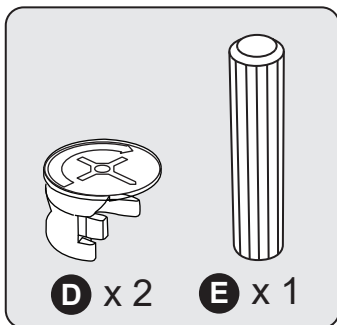
13



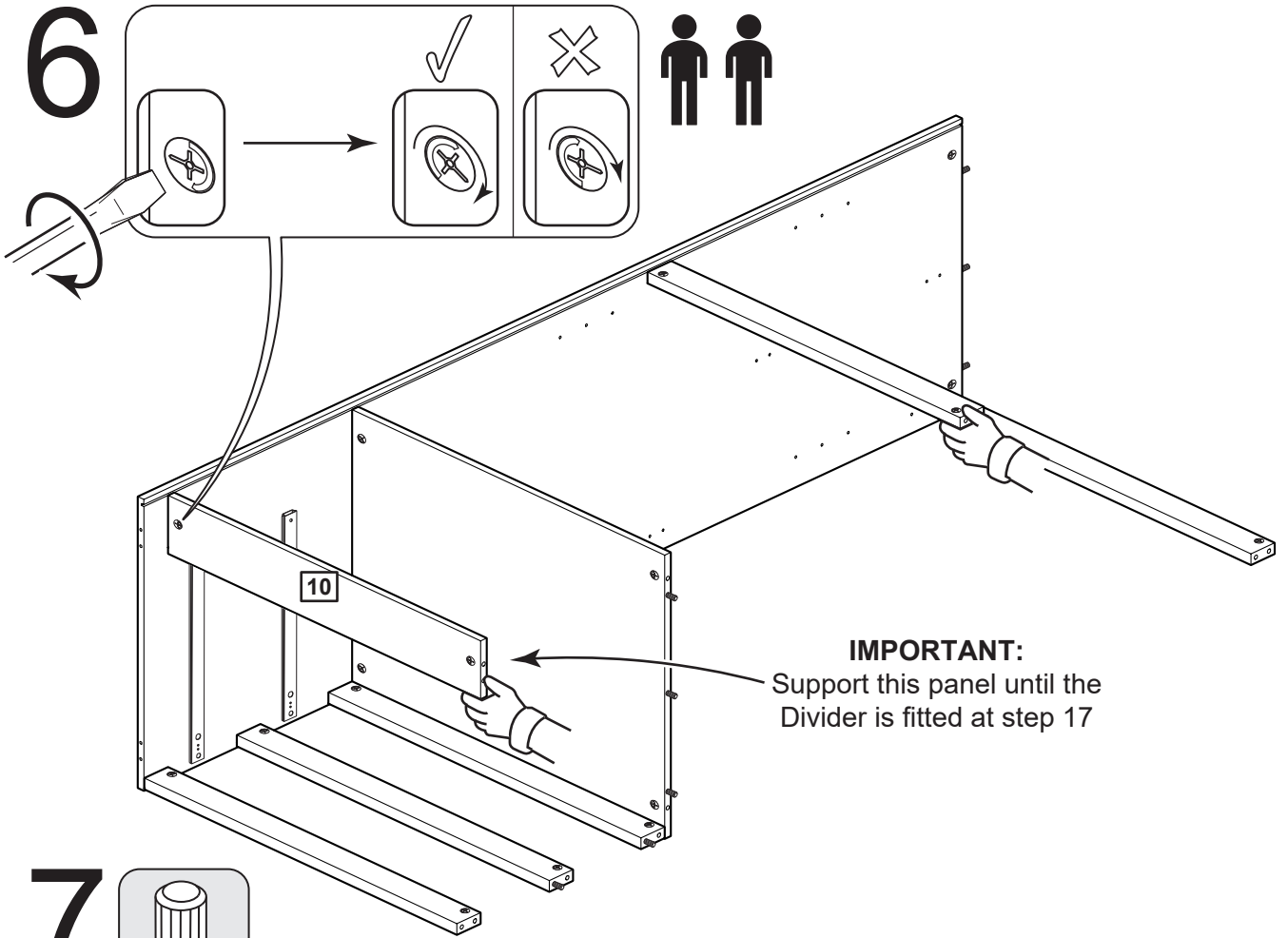
14



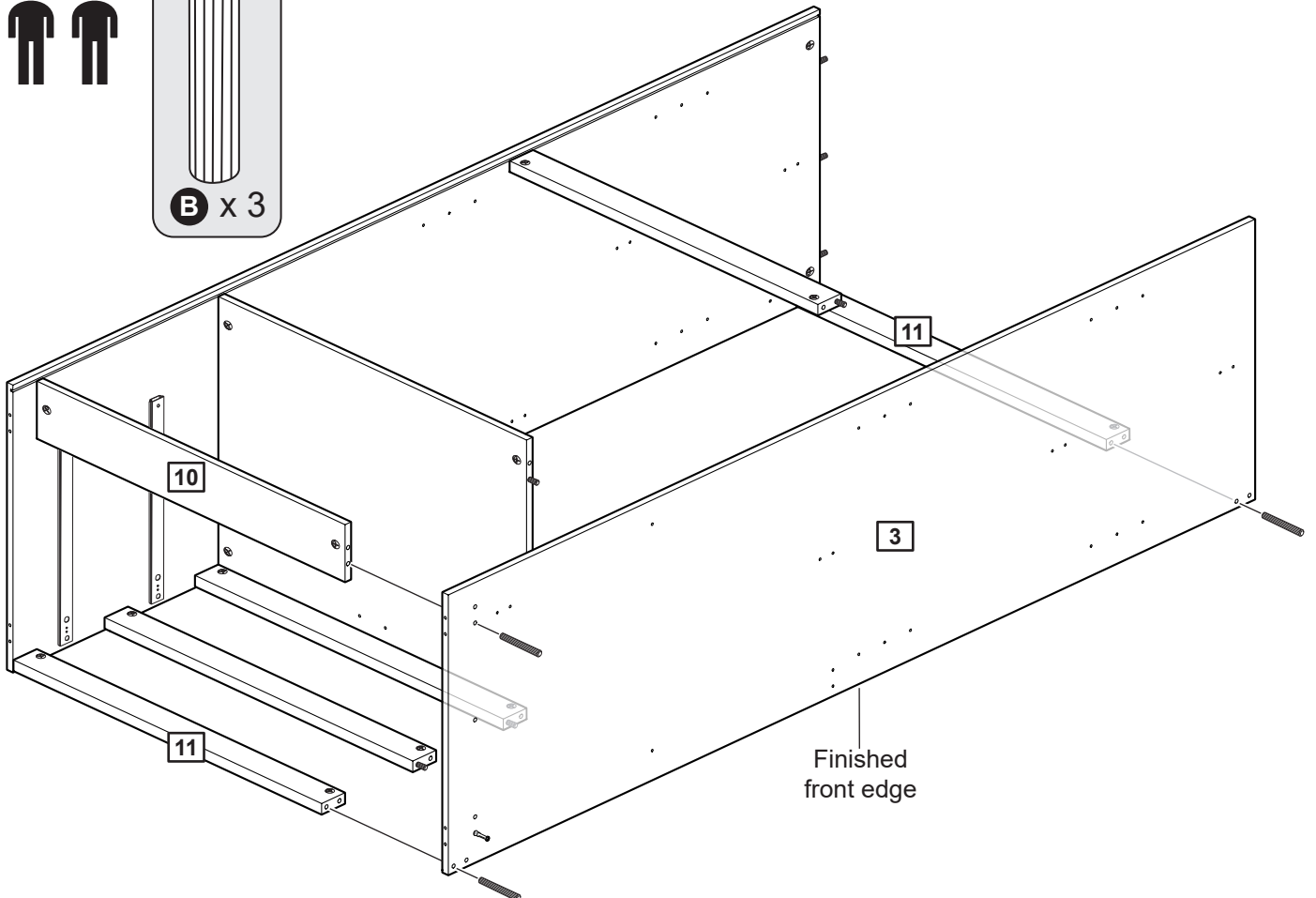
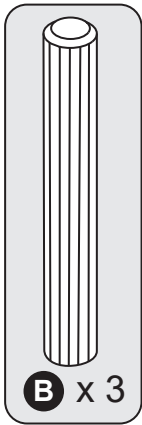
15



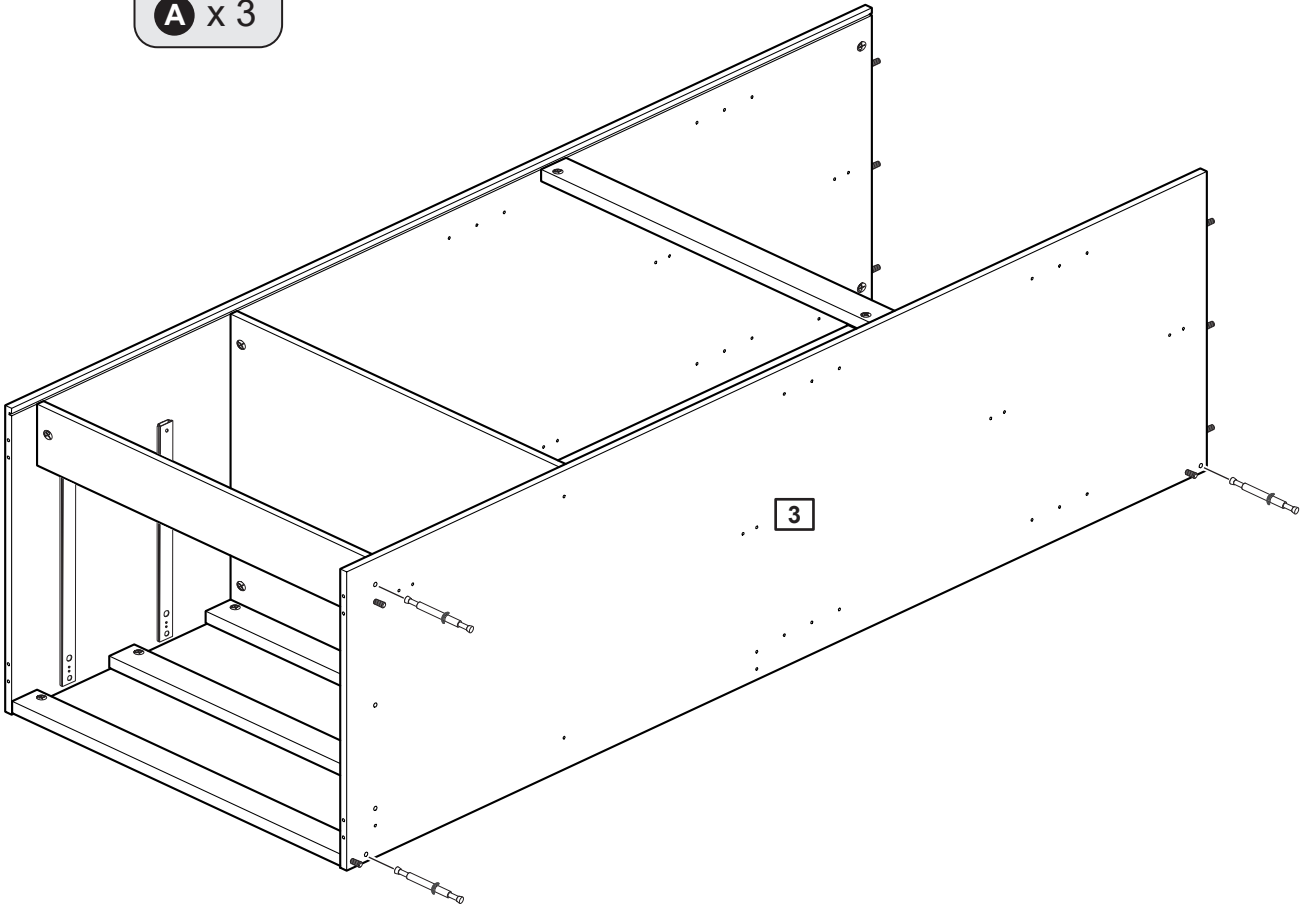
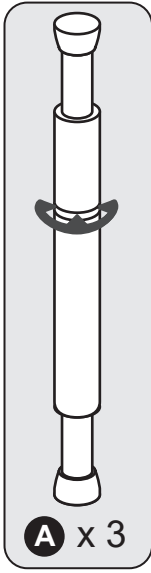
16



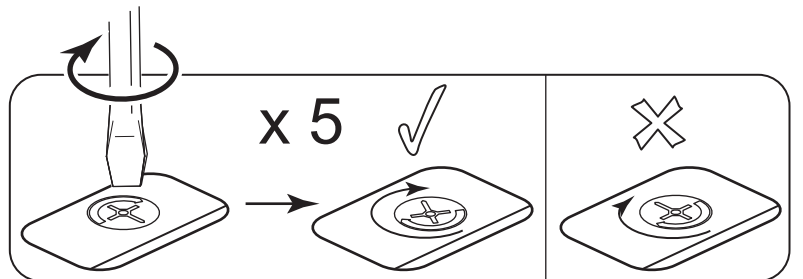
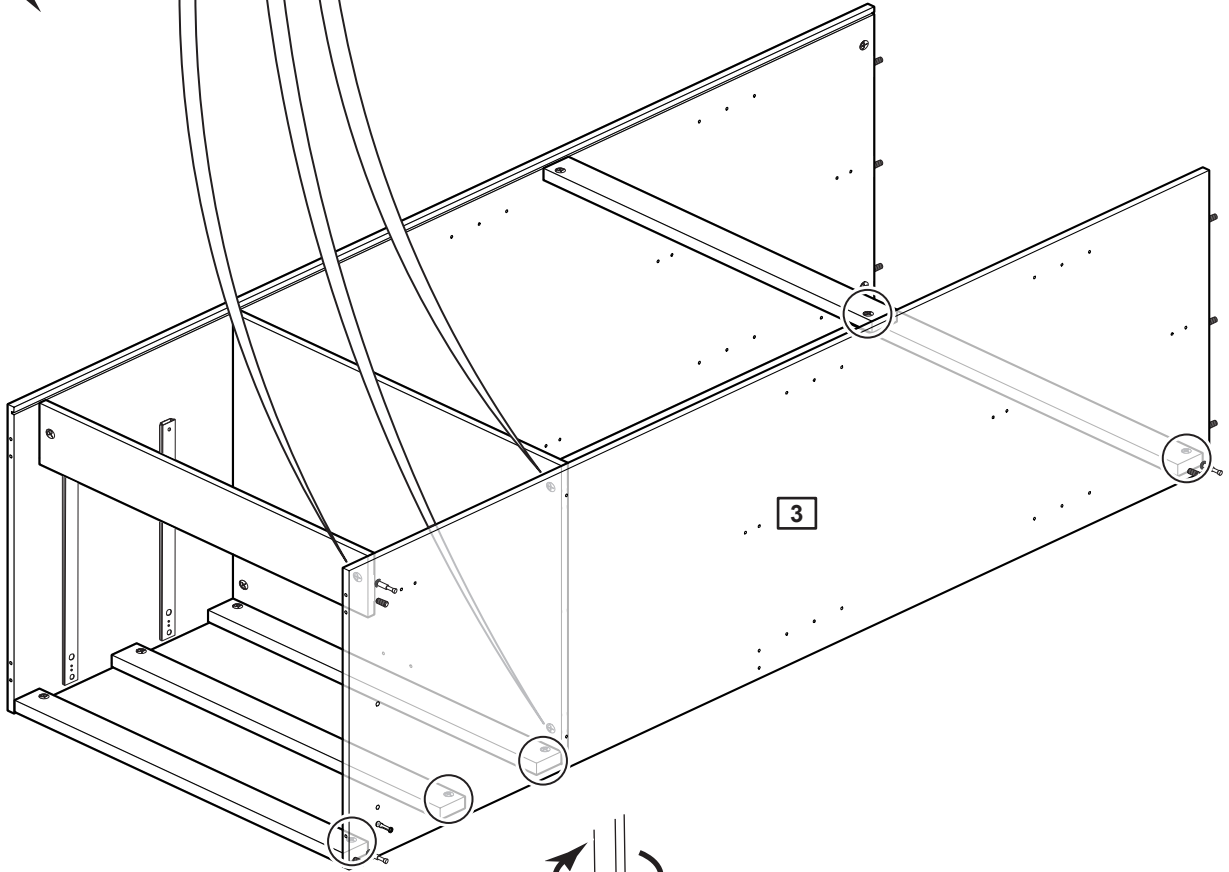
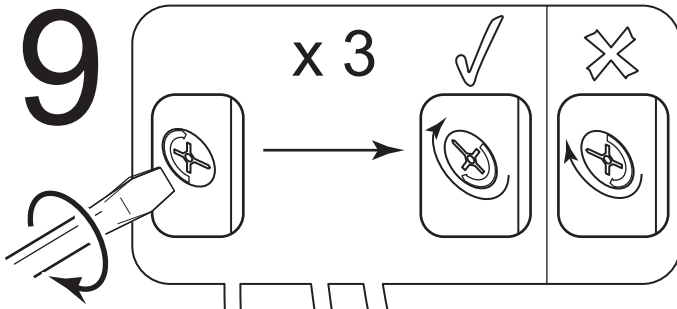
17



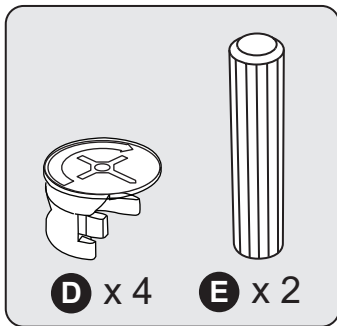
18



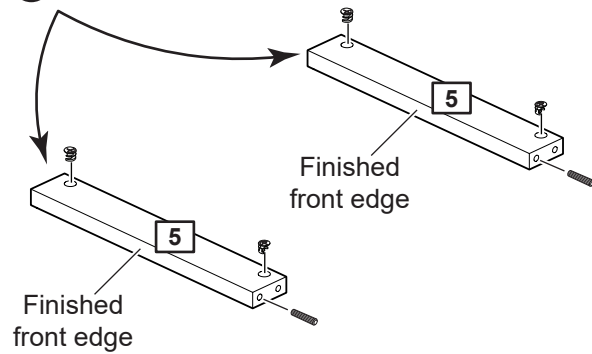
19



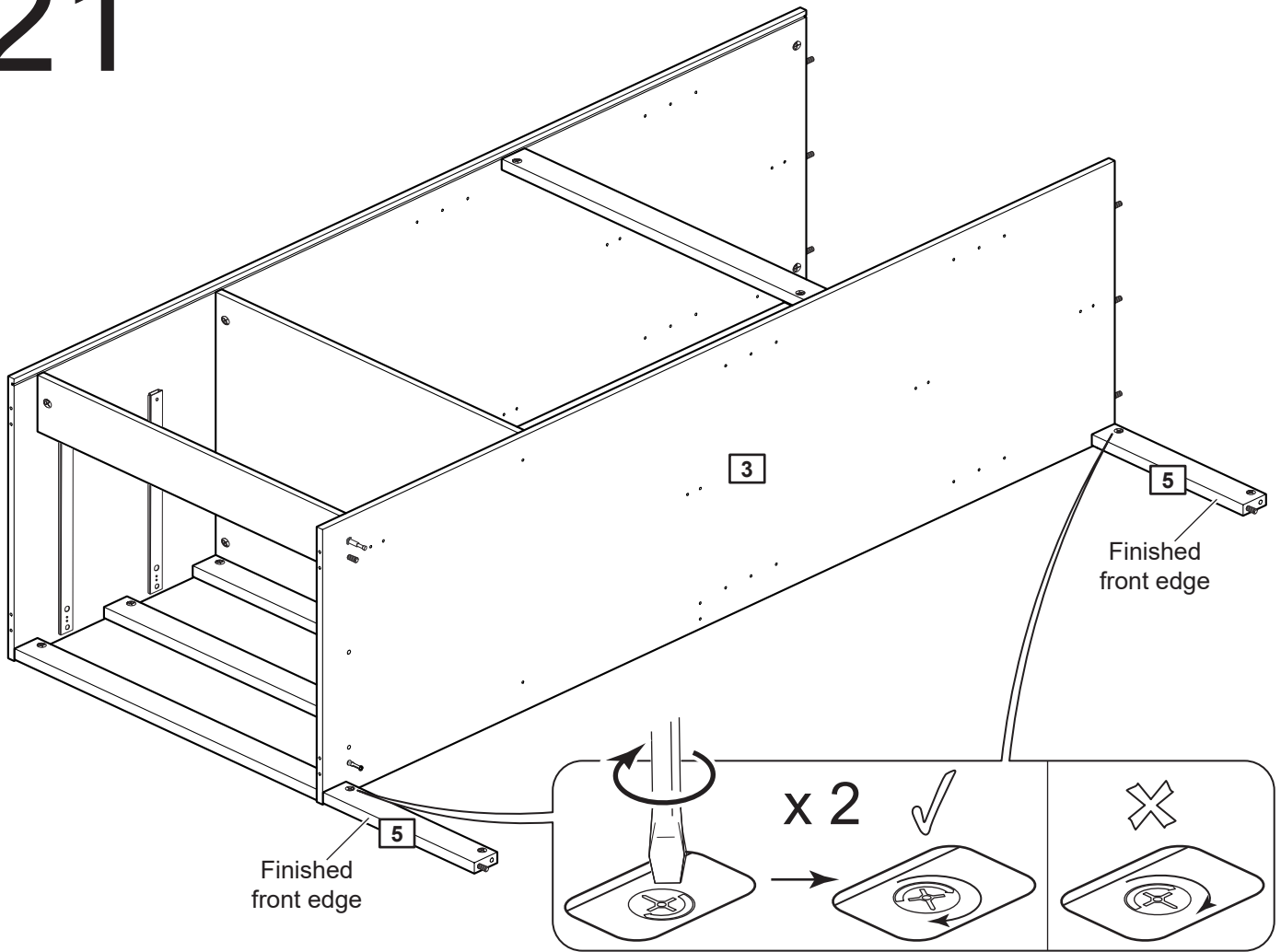
20



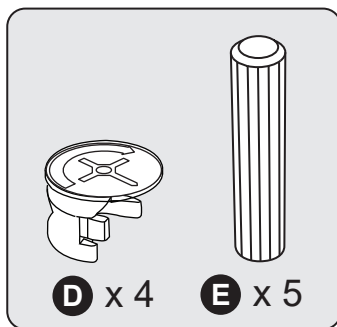
DO NOT fit wooden dowels **E** to this end



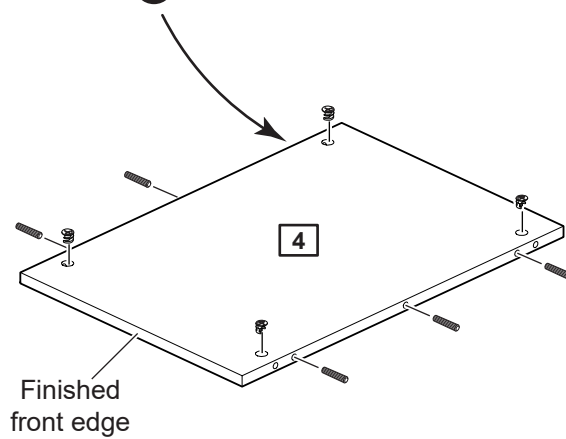
21



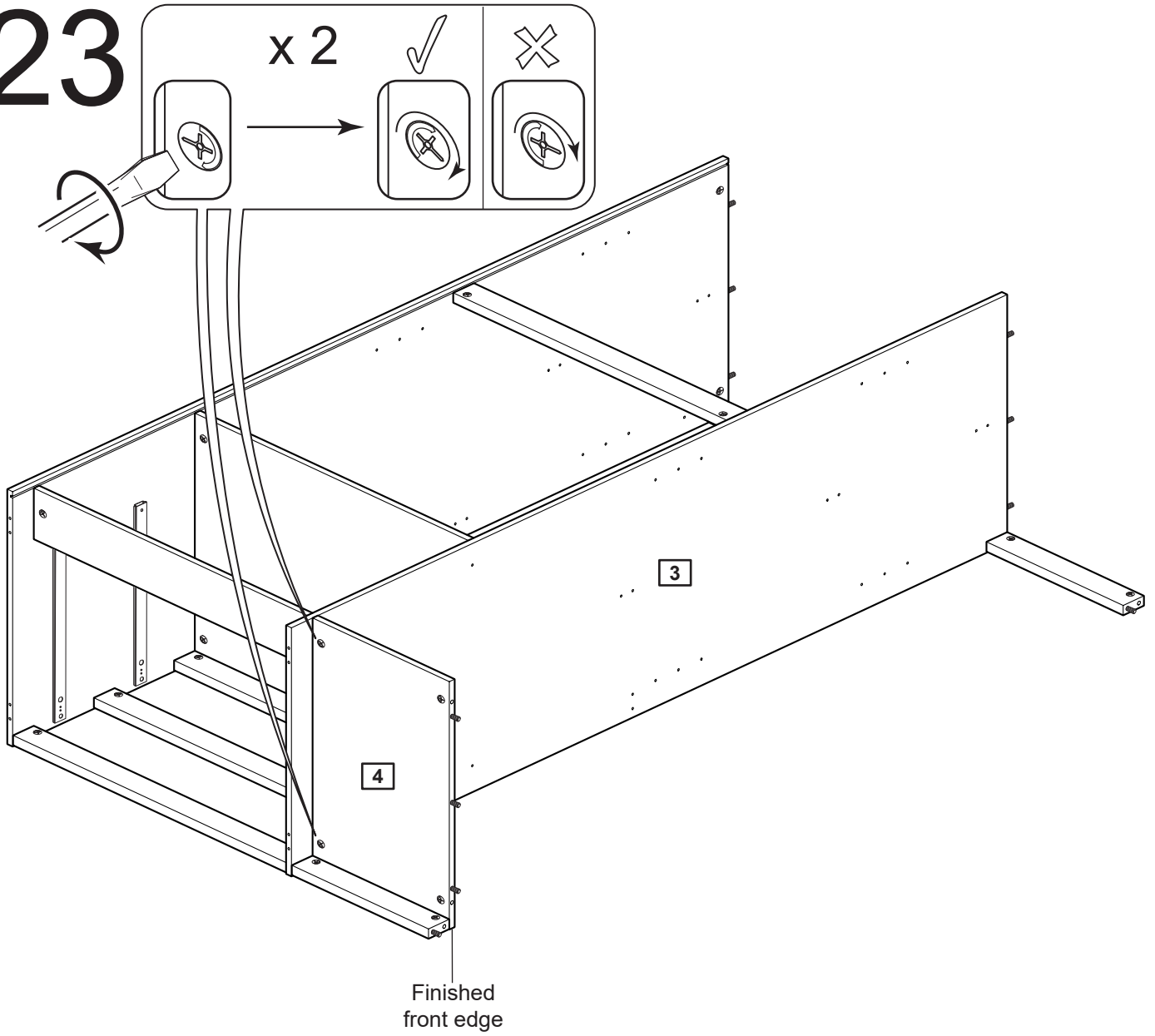
22



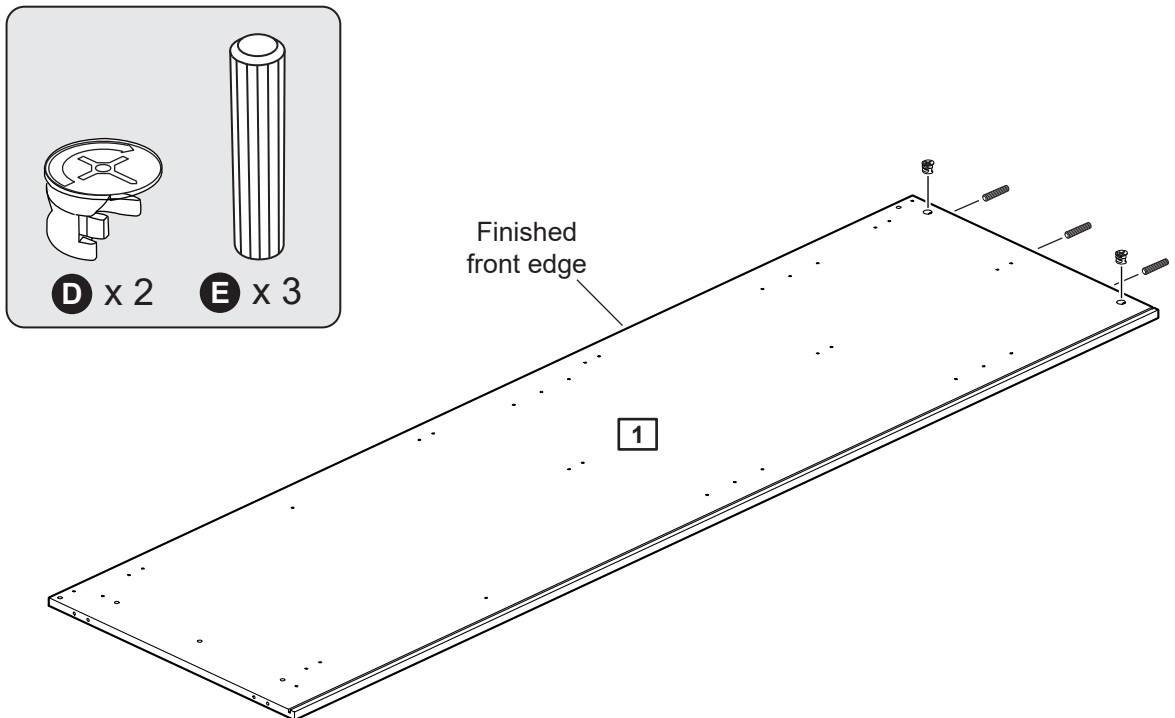
DO NOT fit a wooden dowel **E** here



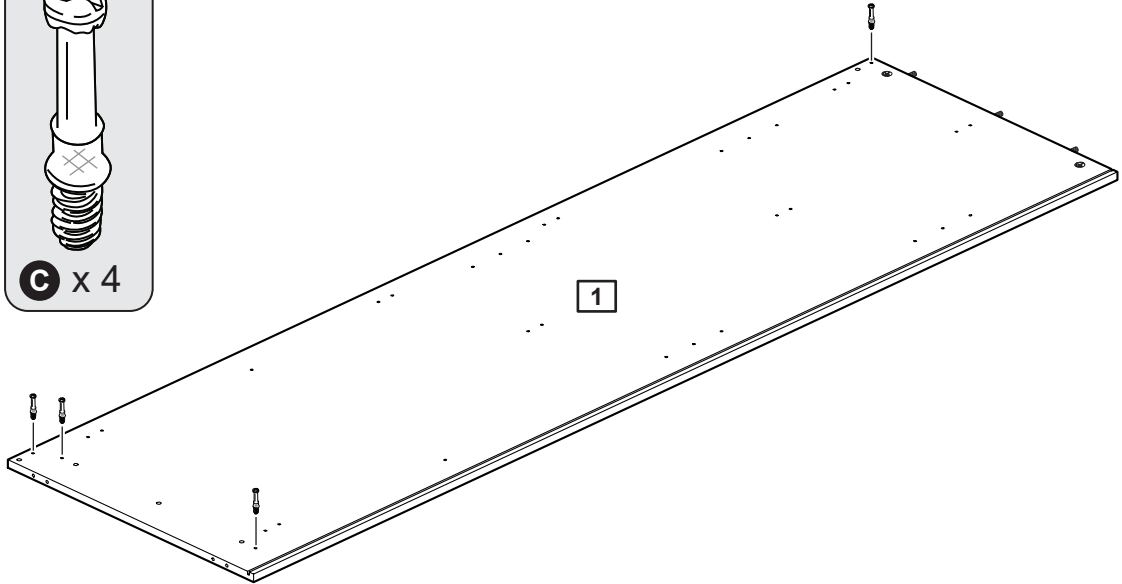
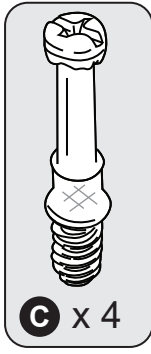
23



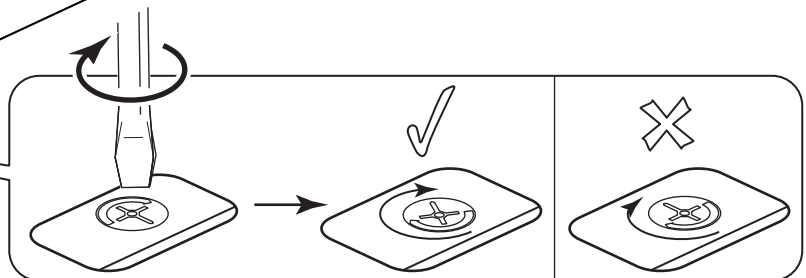
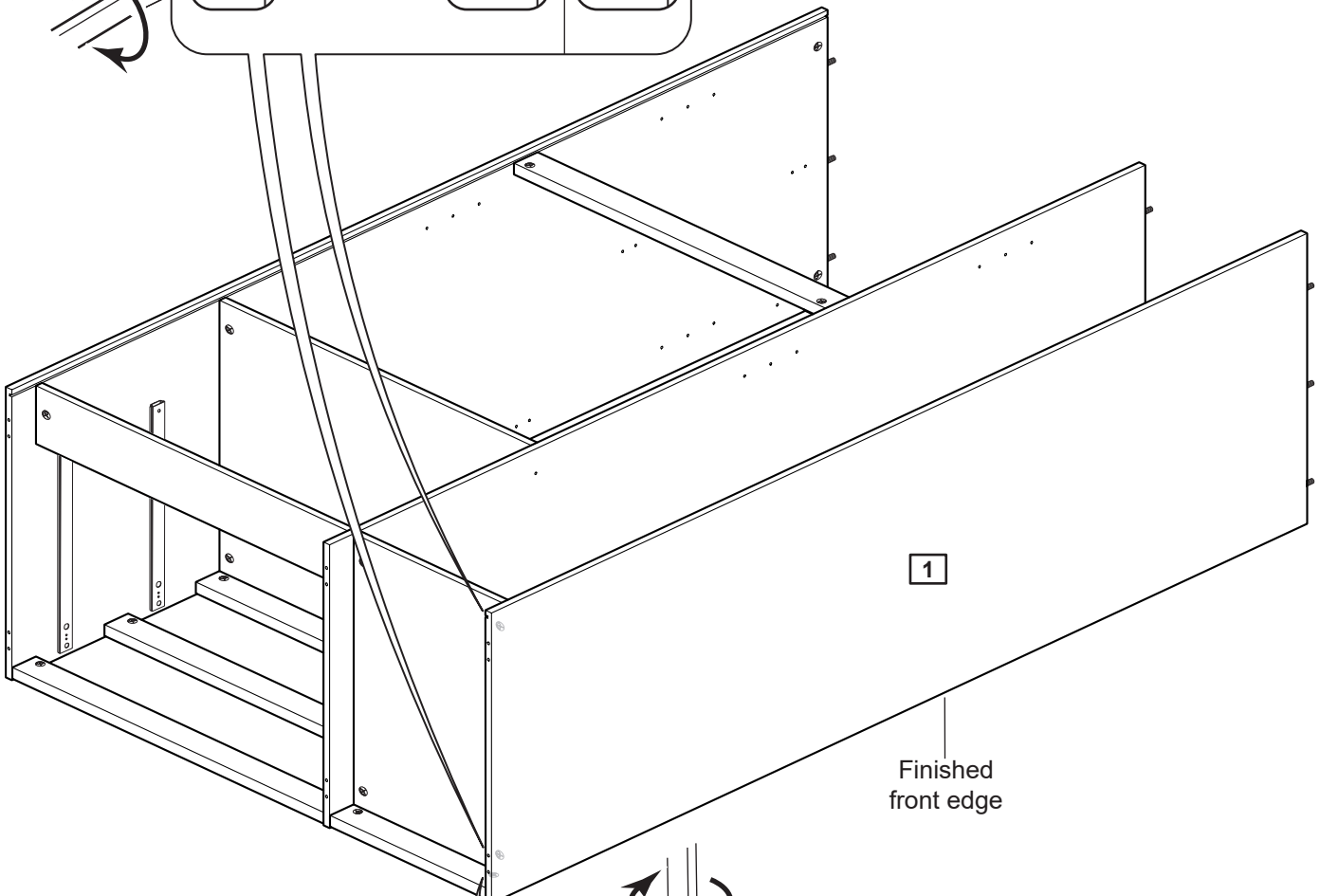
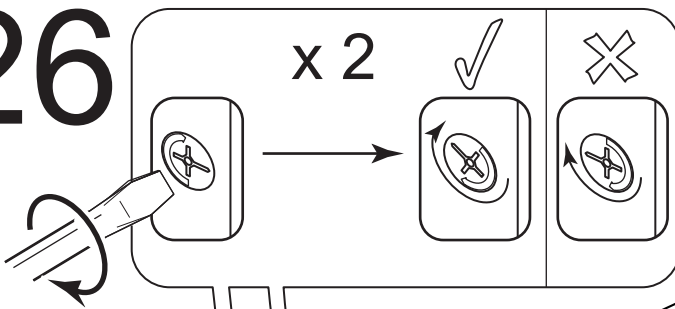
24



25

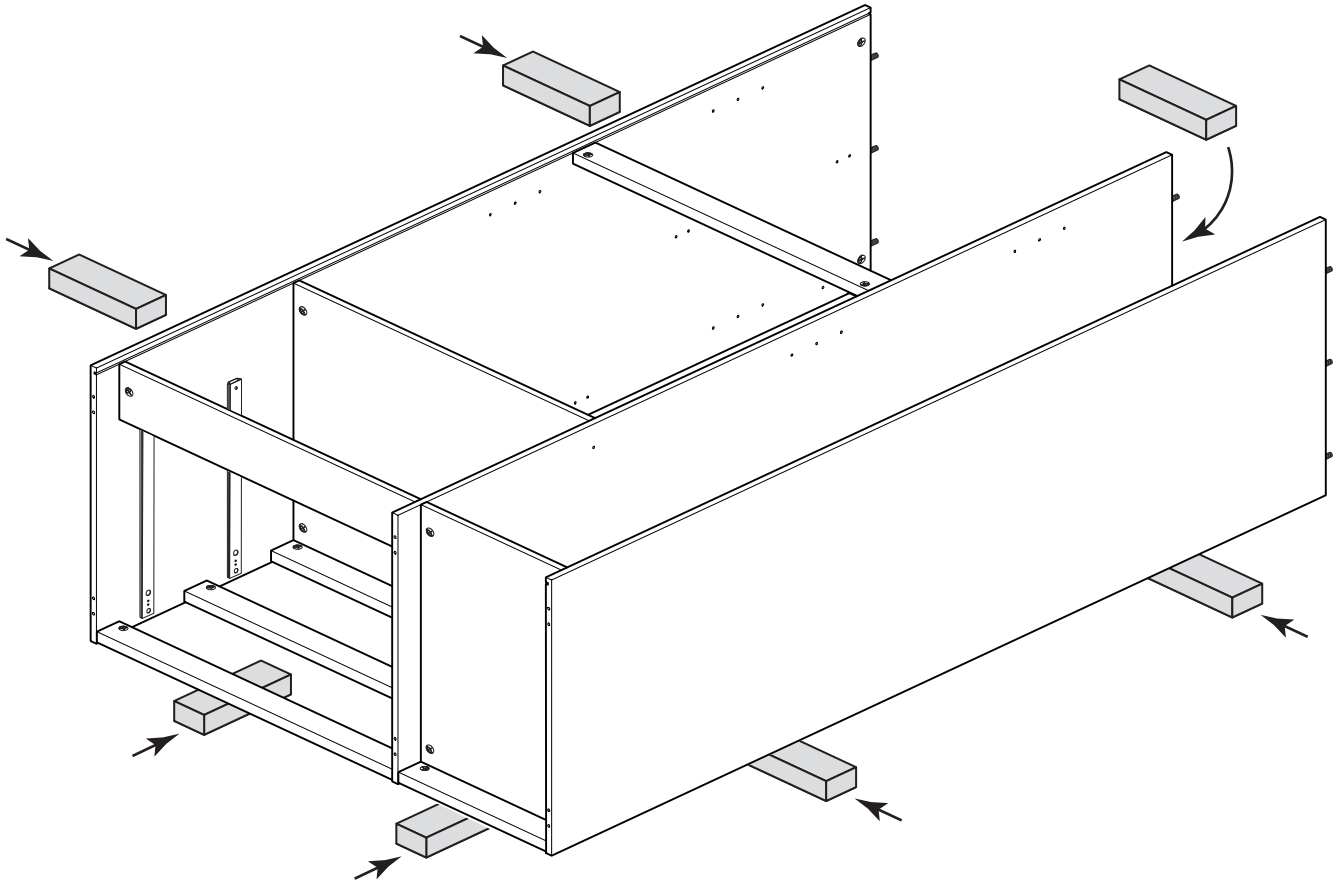


26

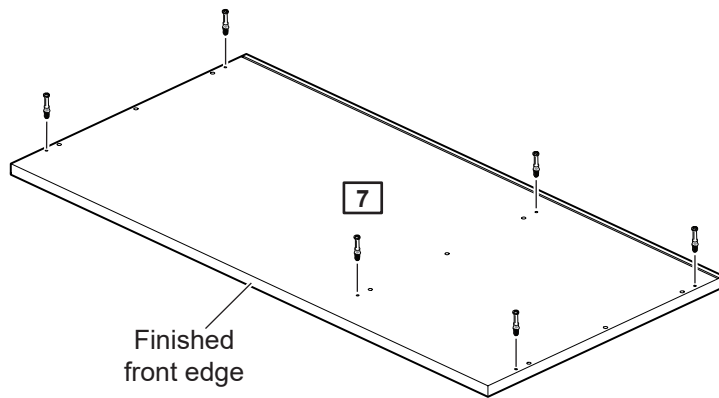
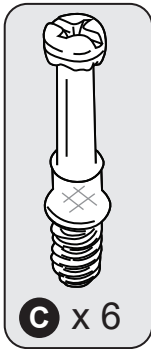


27

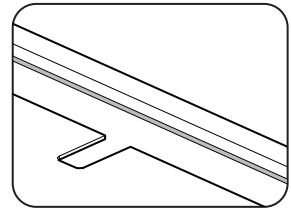
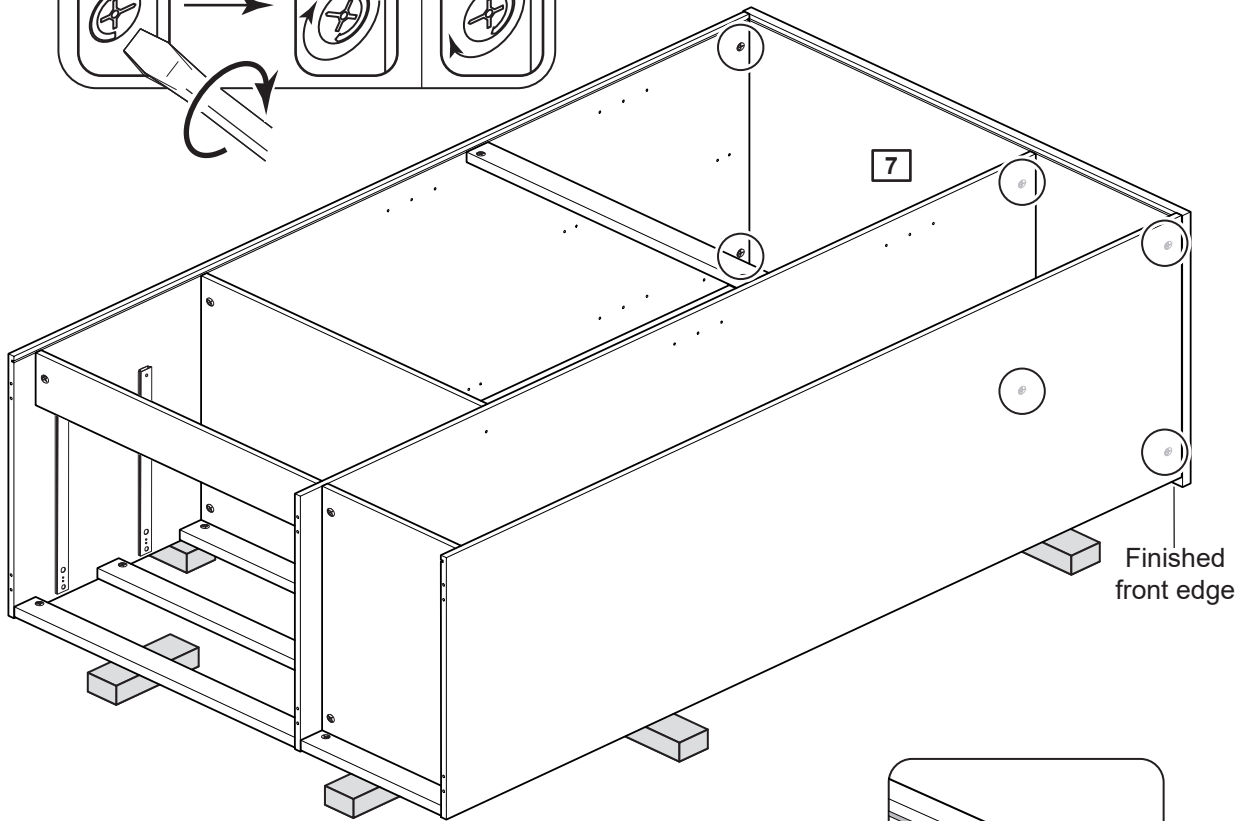
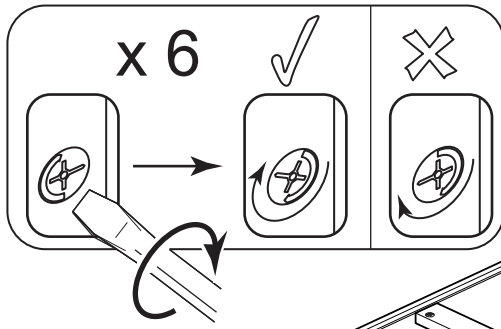
To make it easier to fit the Top panel, carefully raise the assembly using packaging, wood, books etc.



28



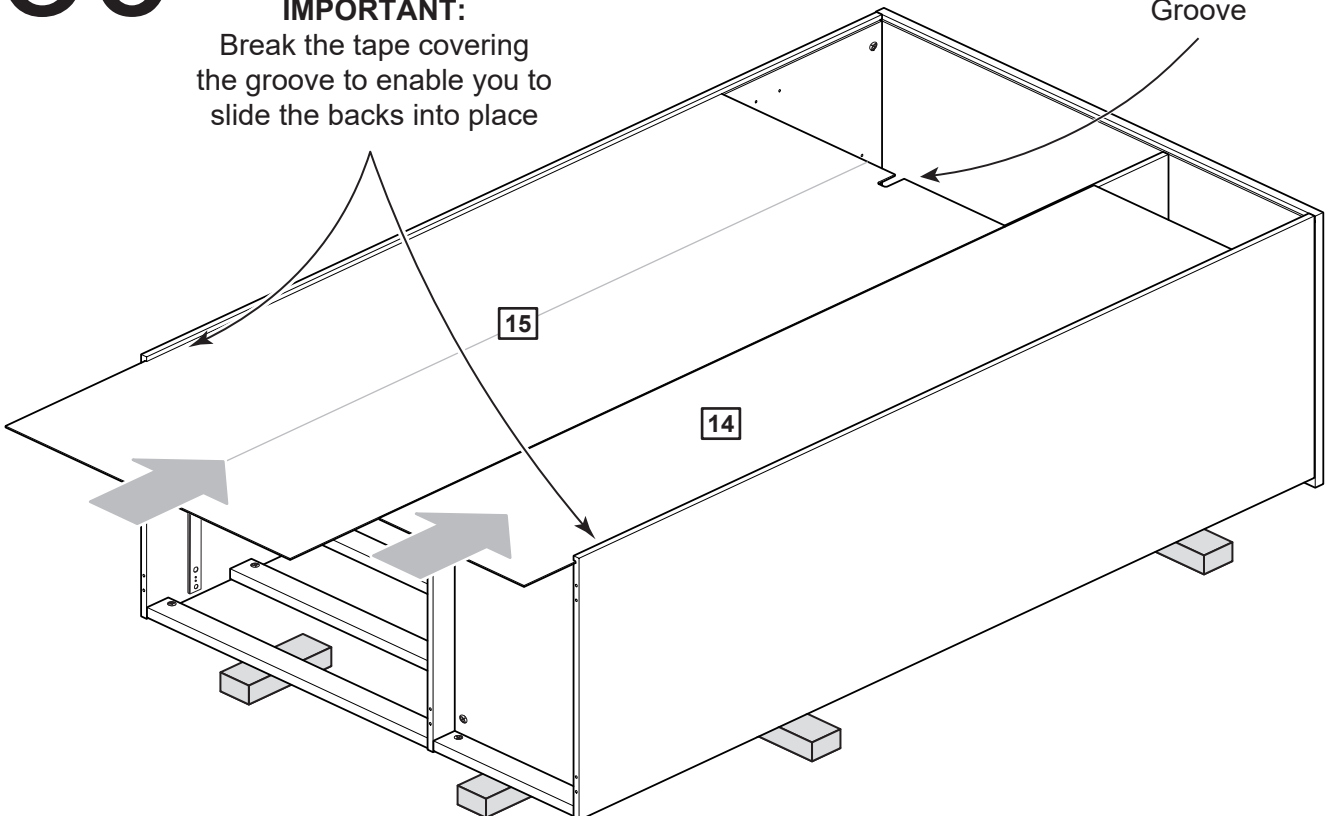
29



30

IMPORTANT:
Break the tape covering
the groove to enable you to
slide the backs into place

IMPORTANT: Use the notch to
guide the Back Panel into the
Groove



31

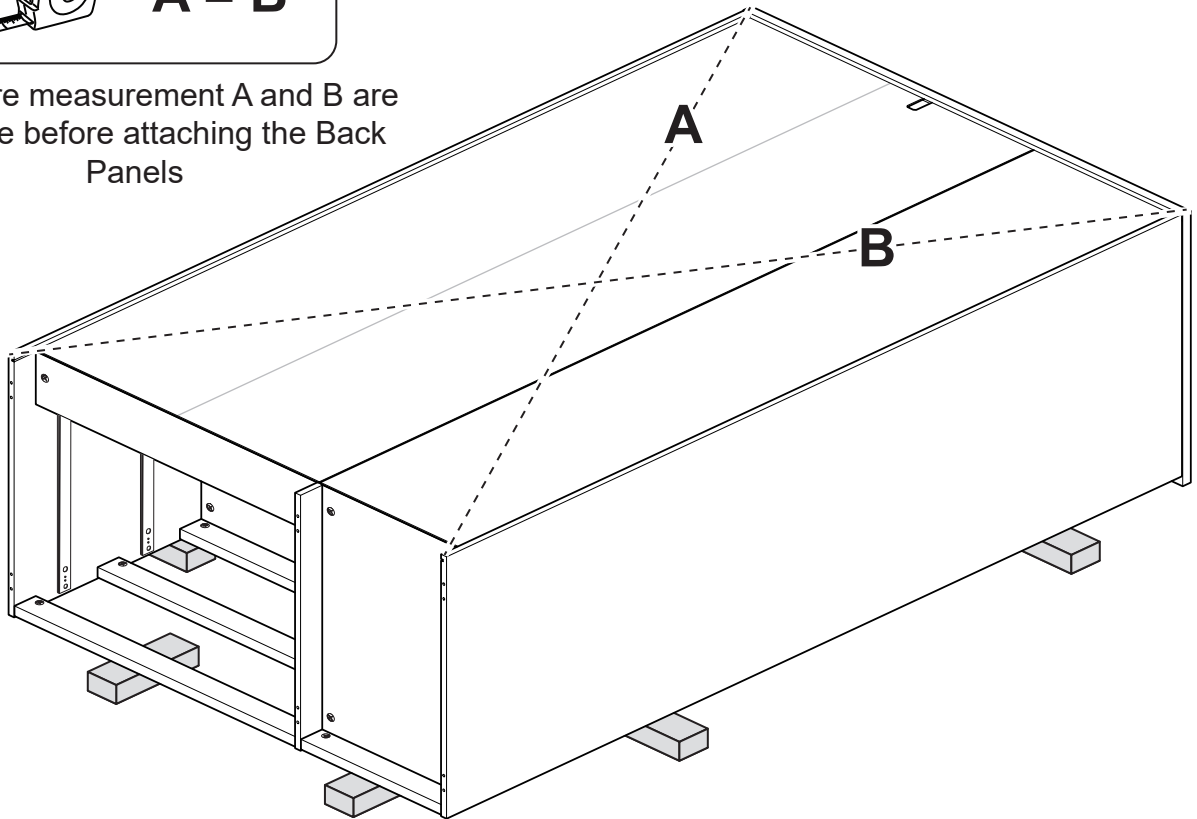


Squaring a Robe & Fitting Back Panel

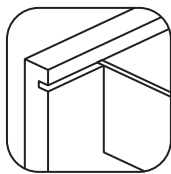
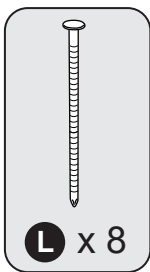
www.youtube.com/watch?v=udEKmXmPEW0



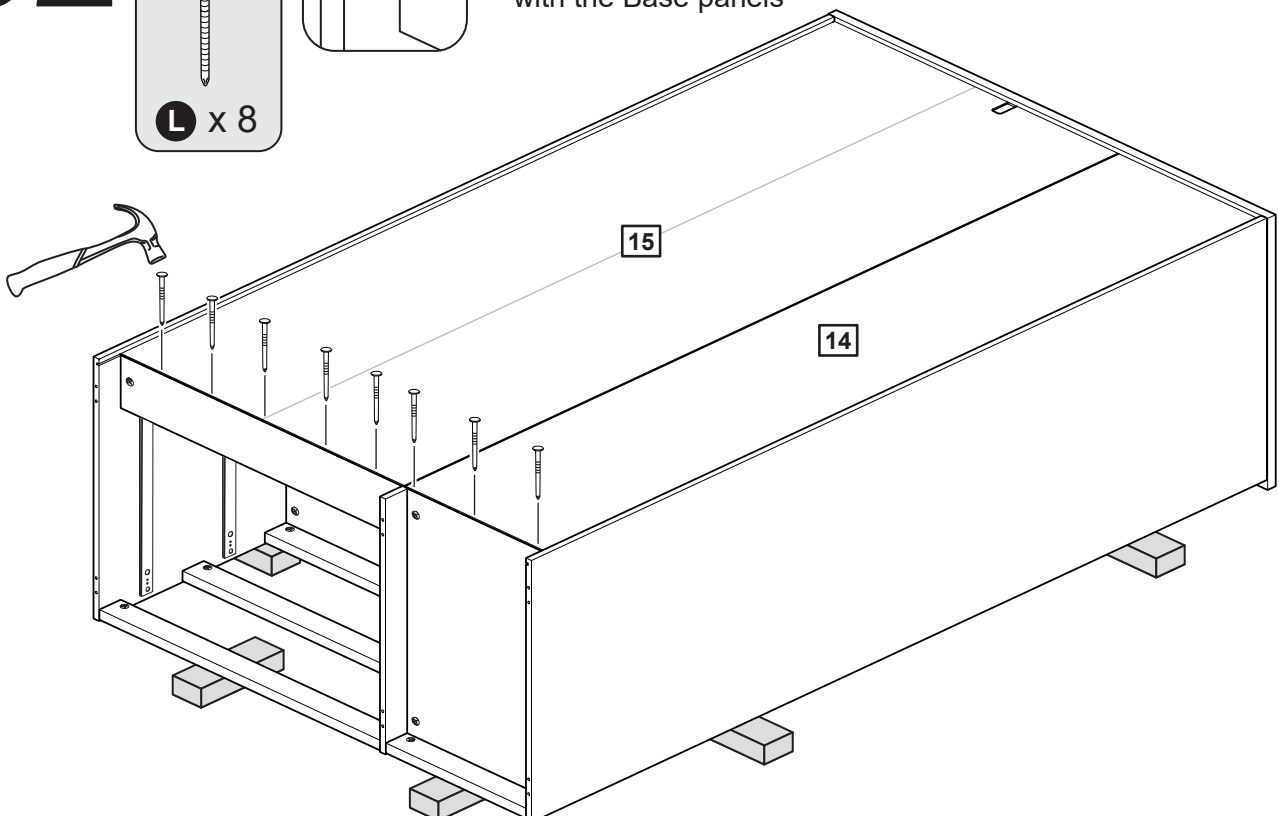
Make sure measurement A and B are the same before attaching the Back Panels



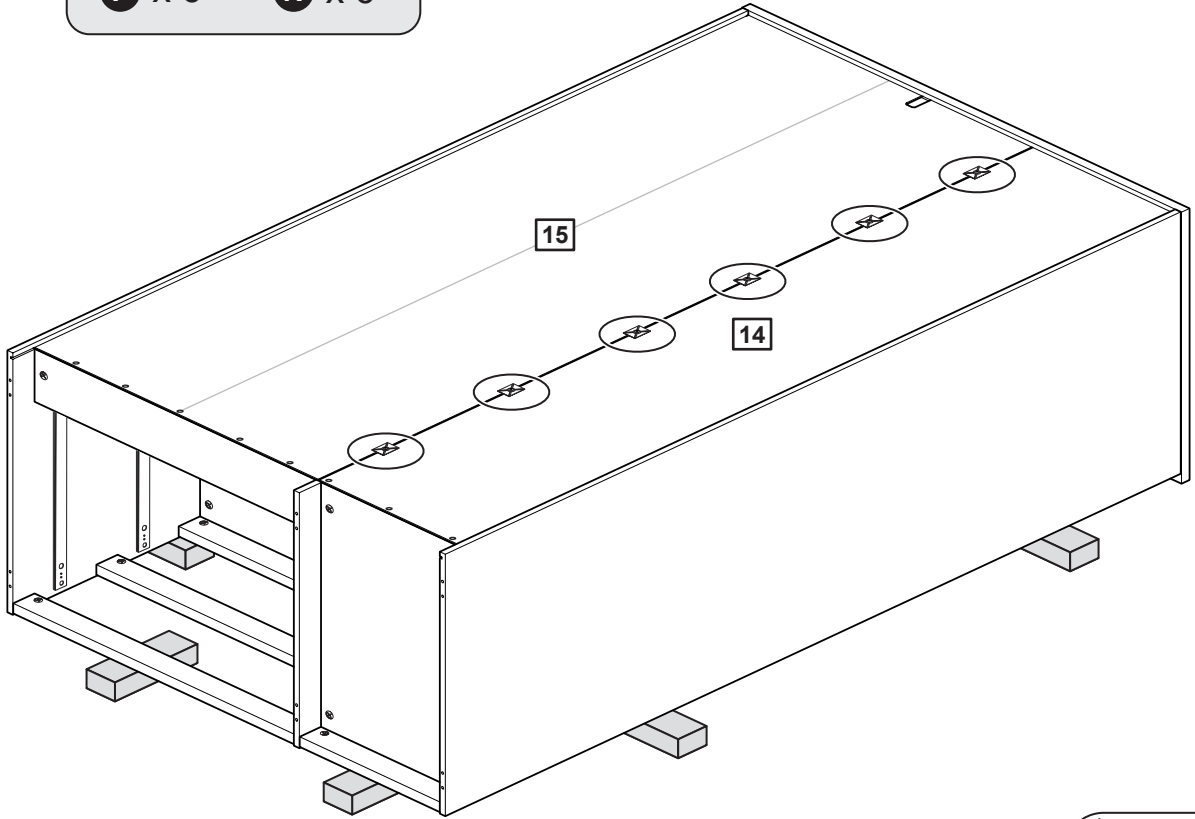
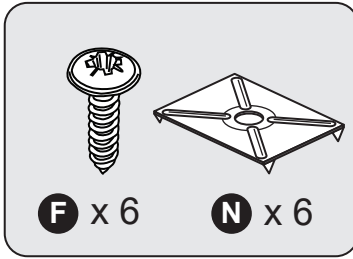
32



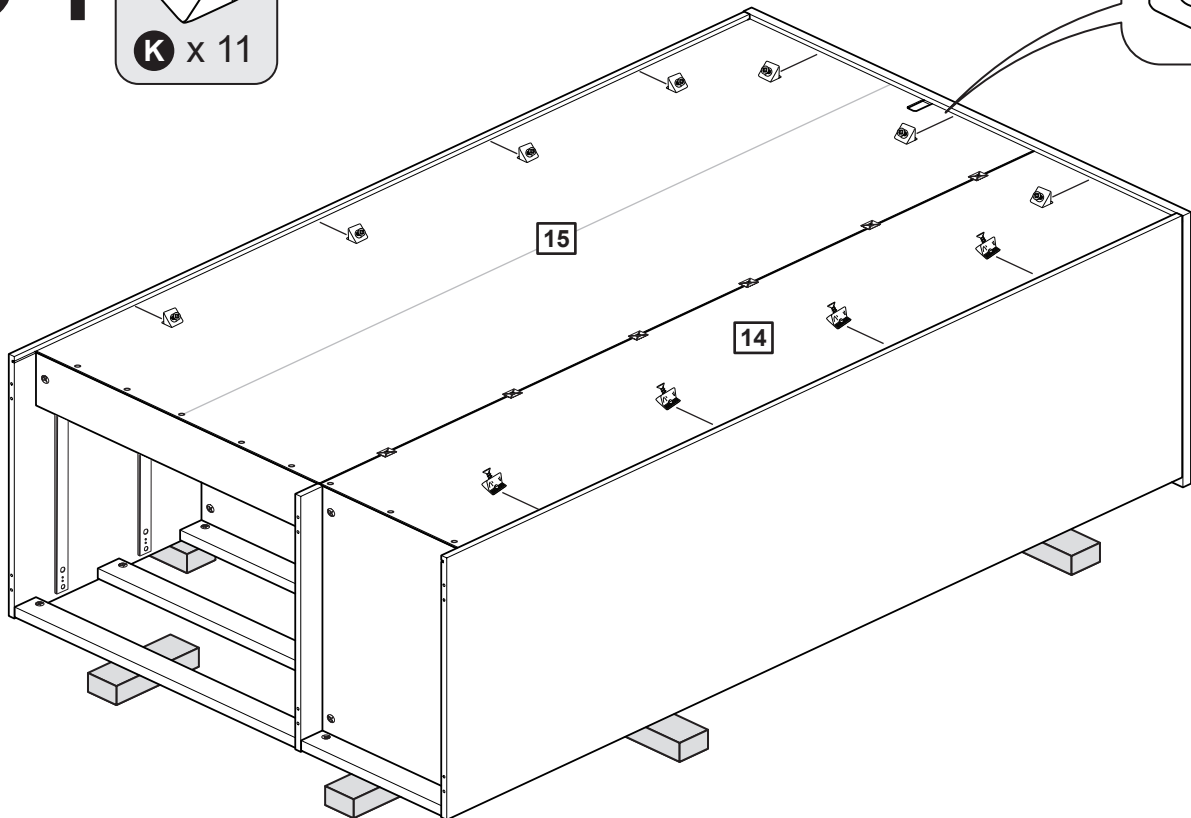
IMPORTANT:
Back panel must be flush with the Base panels



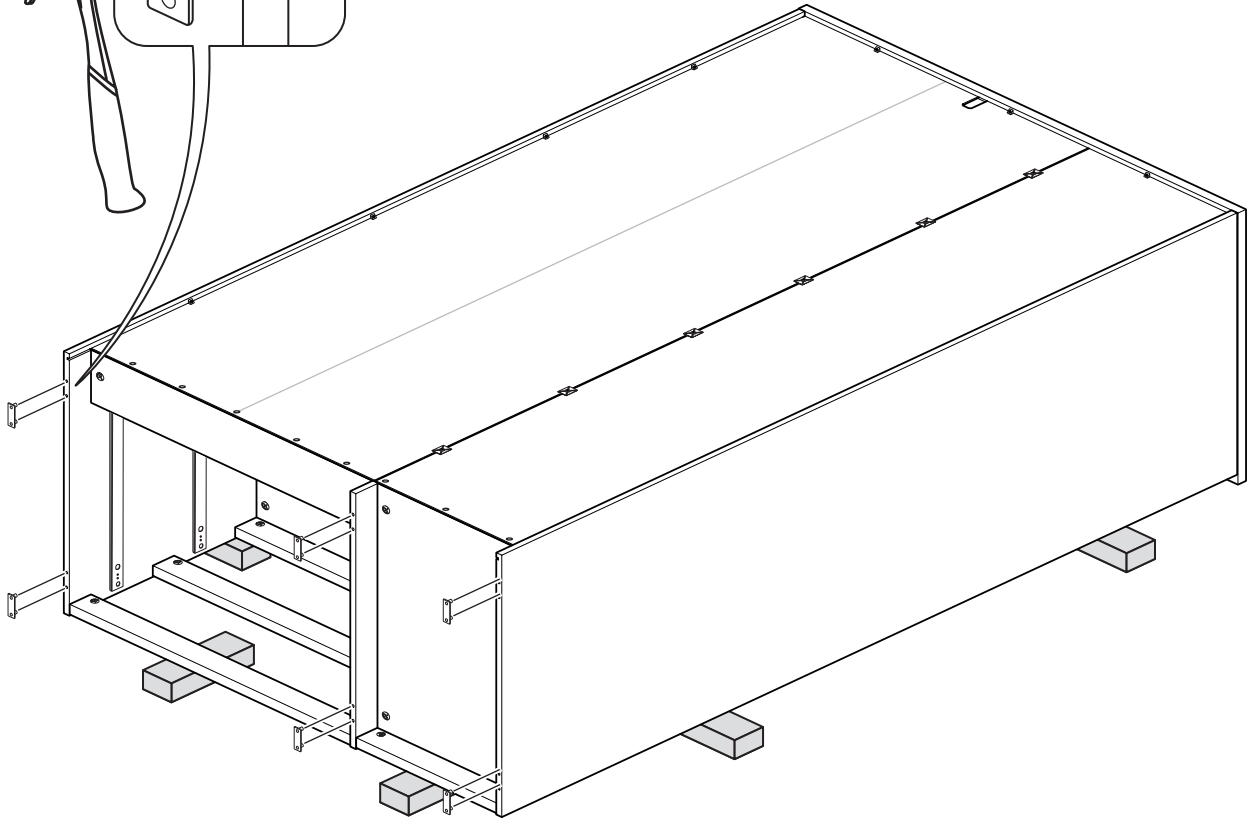
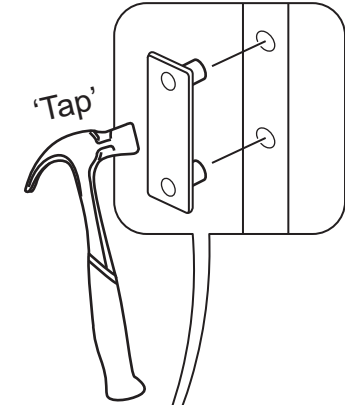
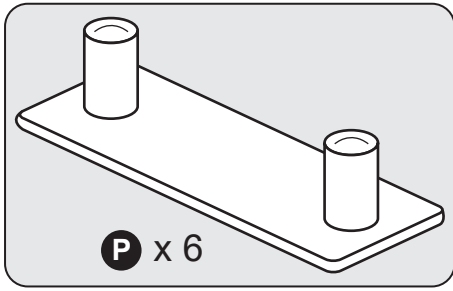
33



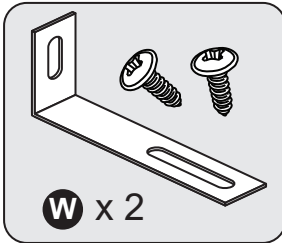
34



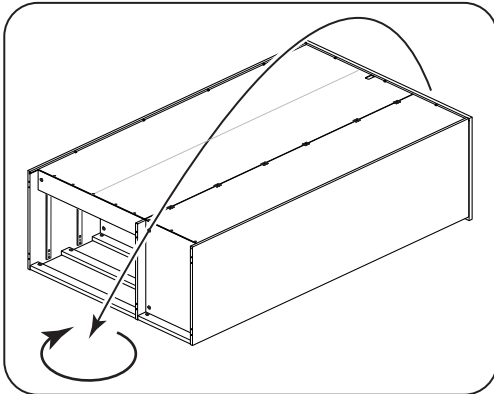
35



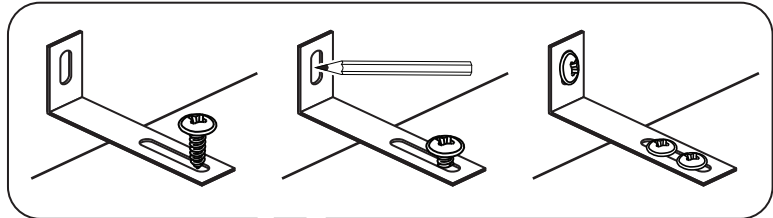
36



WARNING!
In order to prevent overturning
this product must be used with the
2 wall attachment devices provided



See the next section for a guide
to wall mounting and fixings



Carefully stand the unit up and
push it up against the wall.

Loosely fit the 1st screw
through the brackets into the
top panel.

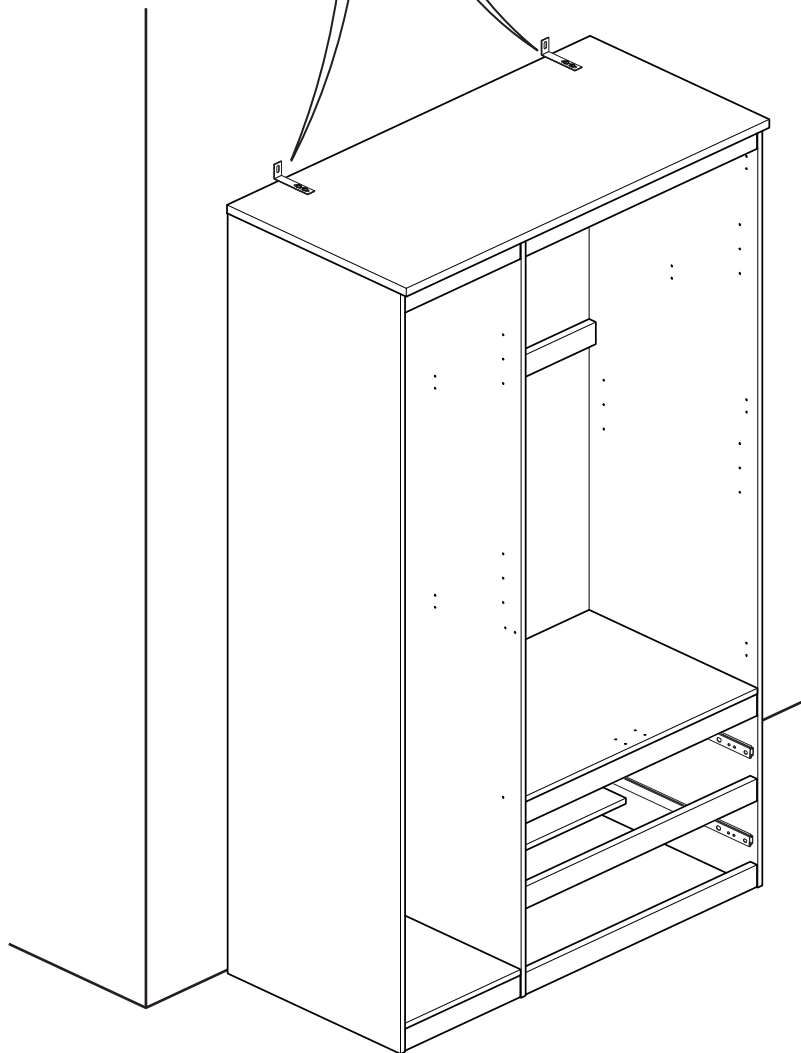
Slide the brackets against the
wall and mark the slot at the
back of the brackets for drilling
into the wall.

Swivel the brackets away from
the wall and drill the wall using
a suitable drill-bit and fit your
wall fixings (wall fixings are not
supplied as they will need to
suit the wall type).

Swivel the brackets back and fix
them to the wall.

Fit the 2nd screw into top panel
and tighten both screws from
the kits.

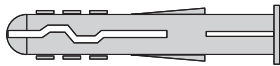
**Note: Take care when drilling
the wall that you do not drill
into any pipes, wires etc.
If in doubt, consult an expert.**



A Guide to Wall Mounting & Fixings

Important note:

If plastic wall plugs are supplied with your product:



- these are only suitable for use in masonry walls.

If you are in any doubt about the correct wall plugs for your wall, seek professional advice.


Failure of the product due to using incorrect fixings is the responsibility of the installer.



Important: When drilling into walls always check that there are no hidden wires or pipes etc.

Make sure that the screws and wall plugs being used are suitable for supporting your unit. Consult a qualified tradesperson if you are unsure.

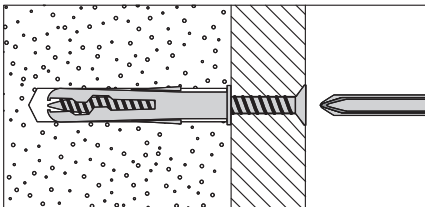
Hints:

- 1: General rule:  Always use a larger screw and wall plug if you are not sure.
- 2: Ensure you use the recommended drill bit to match the wall plug and hole size.
- 3: Ensure you drill the hole horizontally, do not force the drill or enlarge the hole.
- 4: Take extra care when drilling high walls, ceilings and ceramic tiles. Ensure wall plugs are inserted beyond the thickness of the ceramic tiles to avoid the tiles splitting or cracking.
- 5: Ensure wall plugs are well fitted and are a tight fit in the drilled hole.

Types of walls

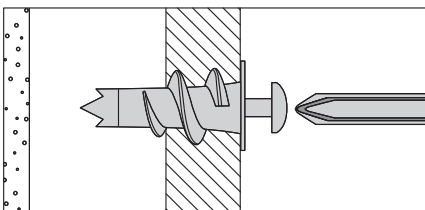
You can use one of the following types of wall plug if your walls are made of brick, breeze block, concrete, stone or wood.

No.1 "General Purpose" wall plug



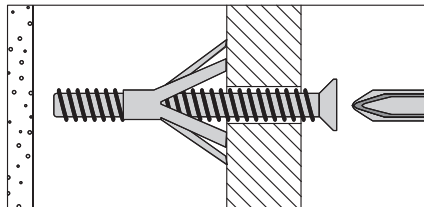
Generally aerated blocks should not be used to support heavy loads, use a specialist fitting in this case. For light loads, general purpose wall plugs can be used.

No.2 "Plasterboard" wall plug



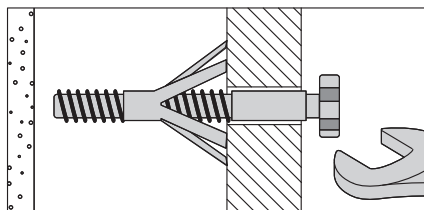
For use when attaching light loads on to plasterboard partitions.

No.3 "Cavity Fixing" wall plug



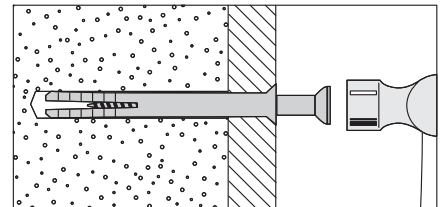
For use with plasterboard partitions or hollow wooden doors.

No.4 "Cavity Fixing-Heavy Duty" wall plug



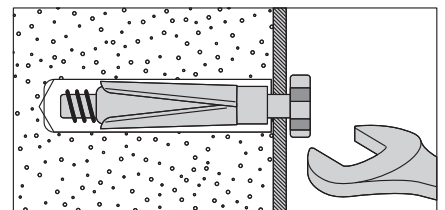
For use when fitting or supporting heavy loads such as shelving, wall cabinets and coat racks.

No.5 "Hammer Fixing" wall plug



For use with walls stuck with plasterboard. The hammer fixing allows it to be fixed to the wall rather than the plasterboard. Always check the fixing is secure to the retaining wall.

No.6 "Shield Anchor" wall plug Heavy loads



For use with heavier loads such as TV & HiFi speakers and satellite dishes etc.

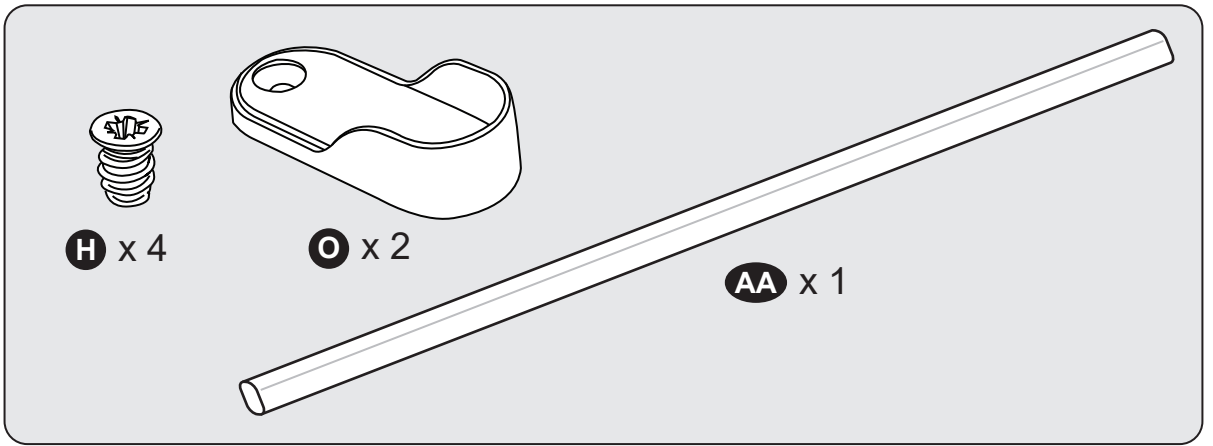


Care & Maintenance

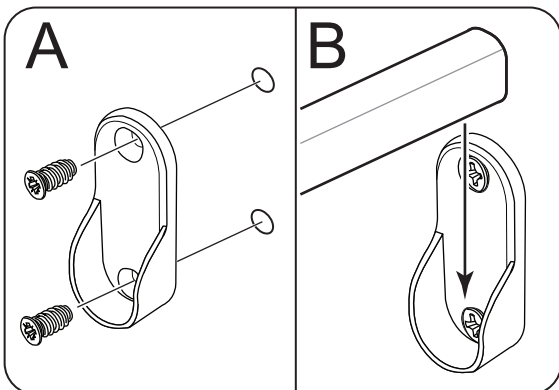
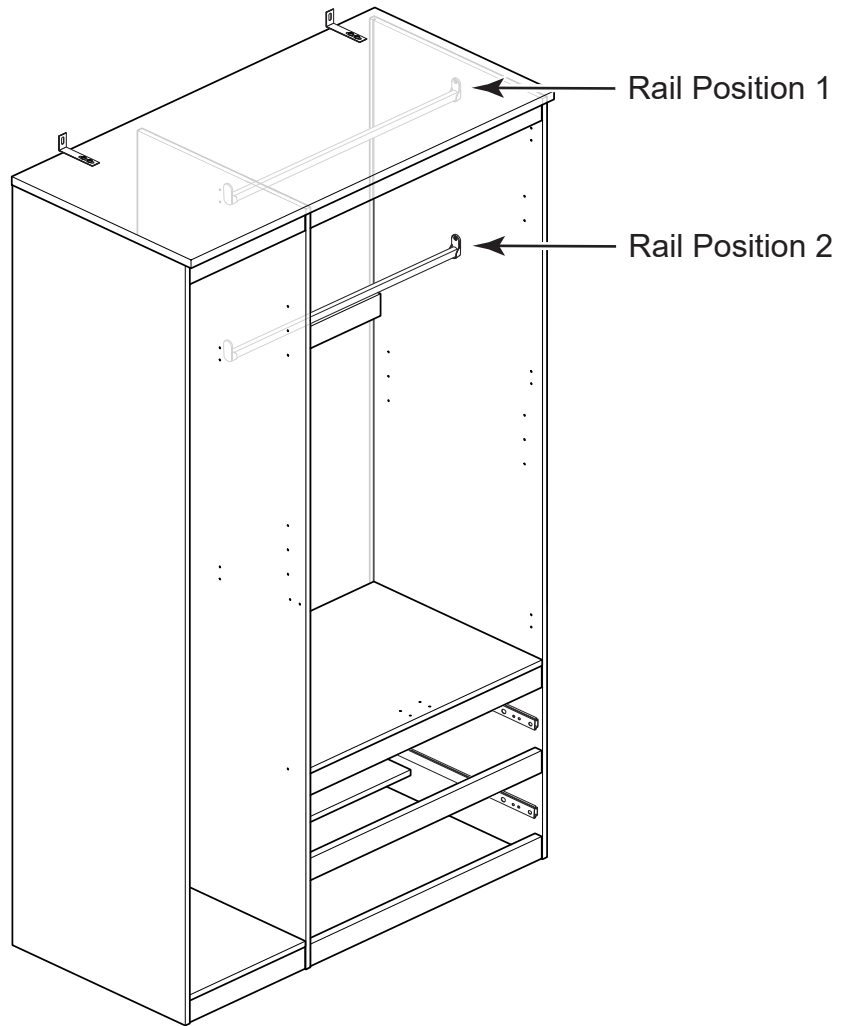
Safety: Always check the fitting and location to ensure your safety in and around the home.

Fitting: From time to time check the fitting to ensure the wall plugs or screws do not become loose.

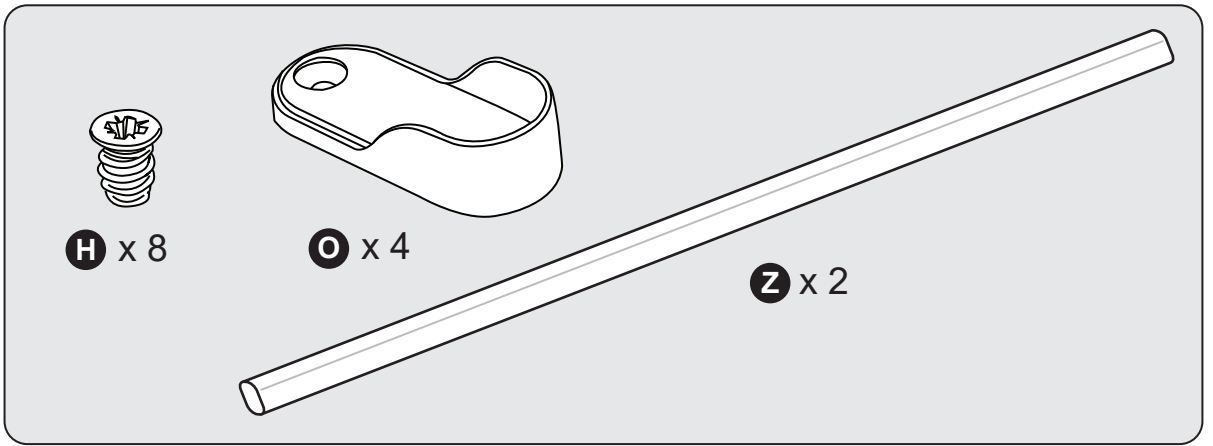
37



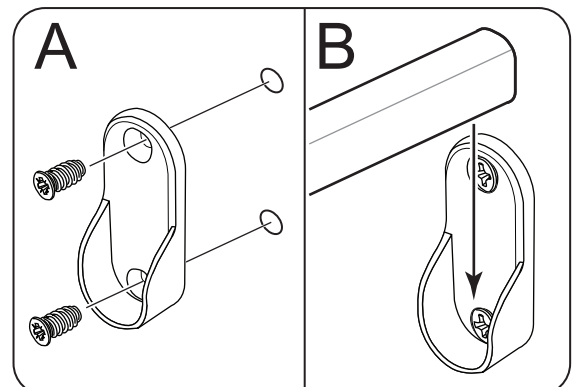
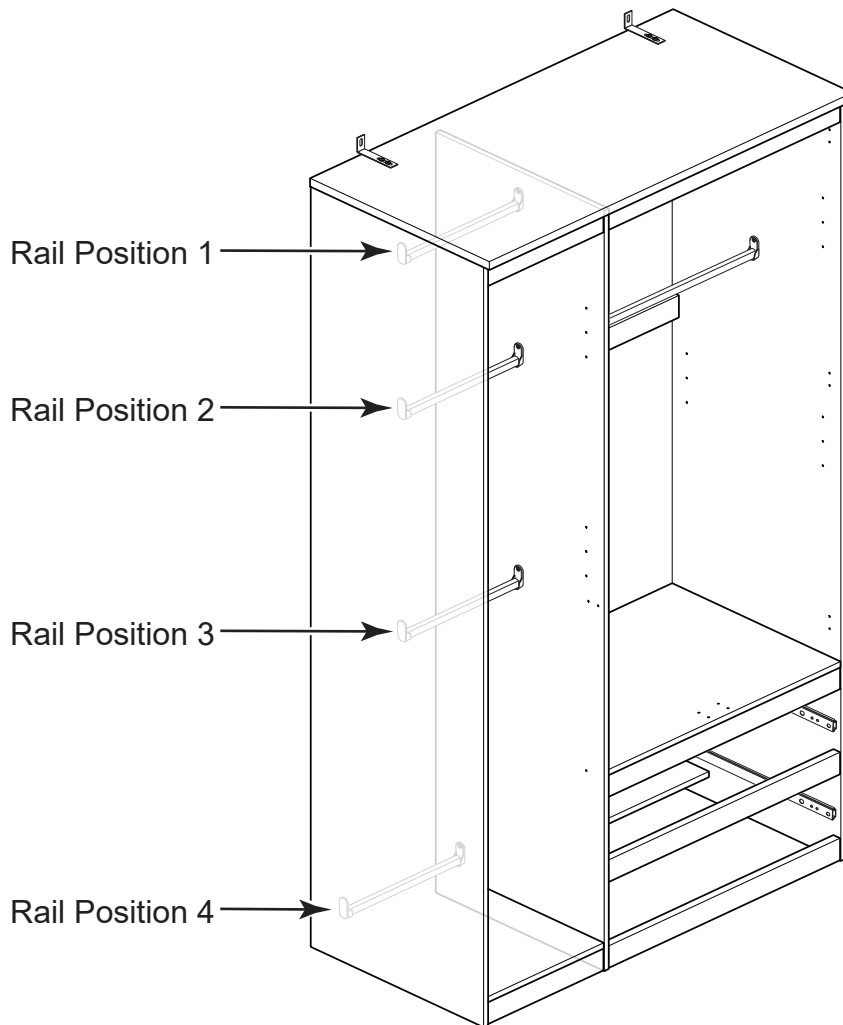
Choose the position for the long hanging rail, and fit to suit.



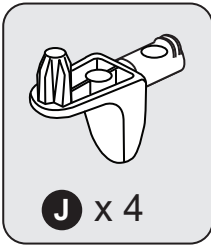
38



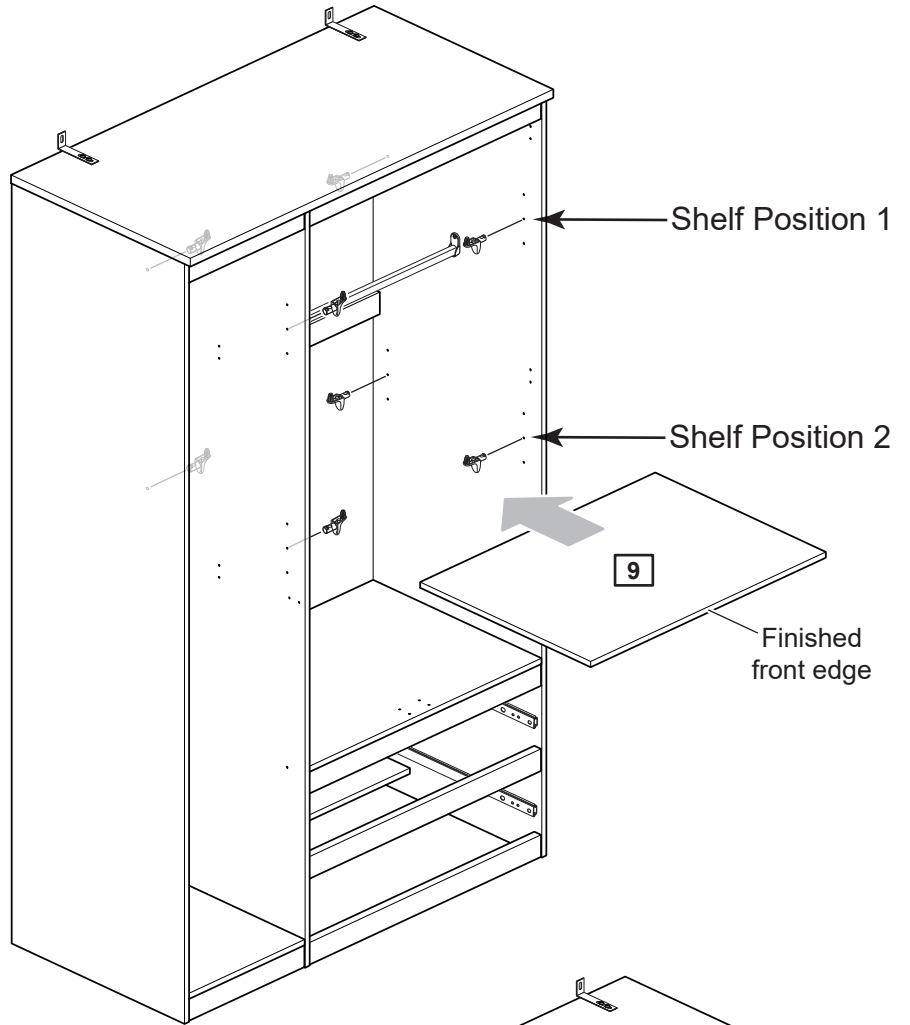
Choose how many short hanging rails you wish to fit, and the position for each.



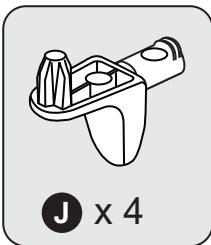
39



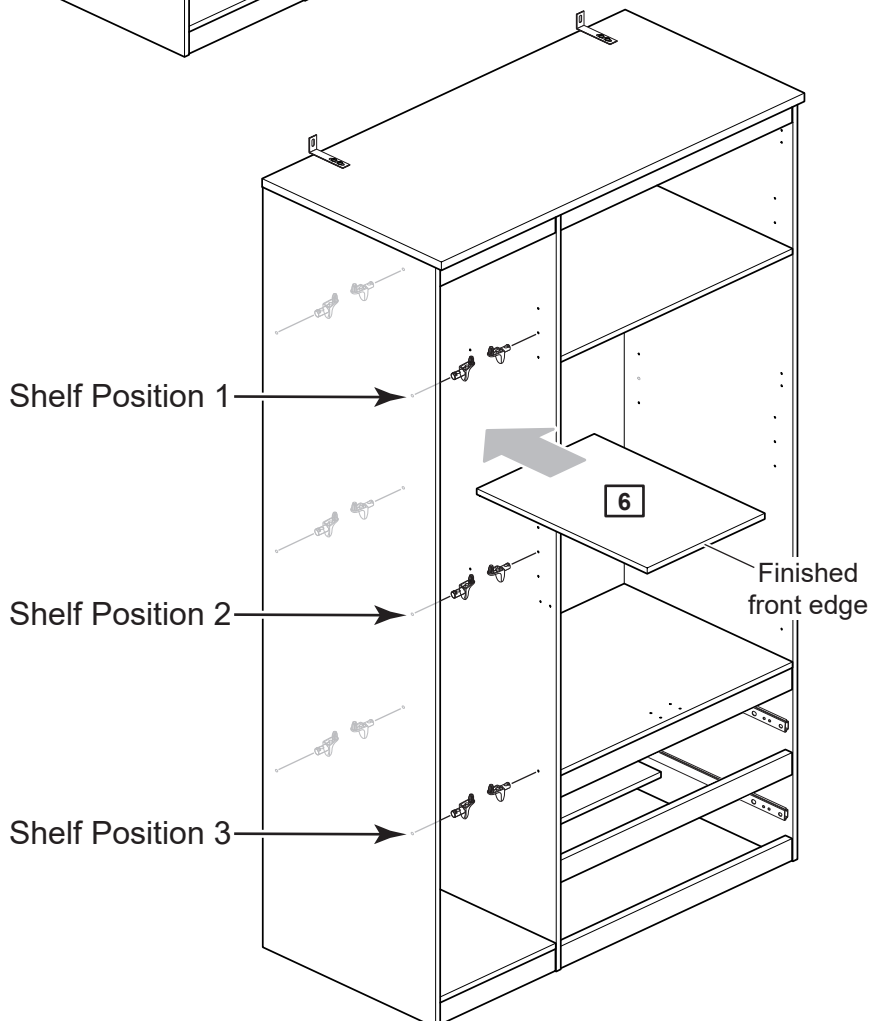
Choose the position for the large shelf to be fitted, and screw in shelf studs to suit.



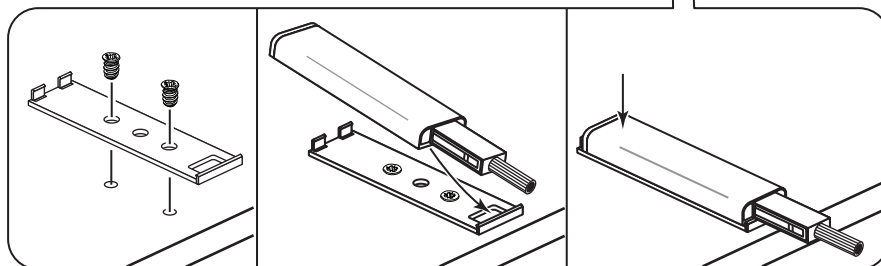
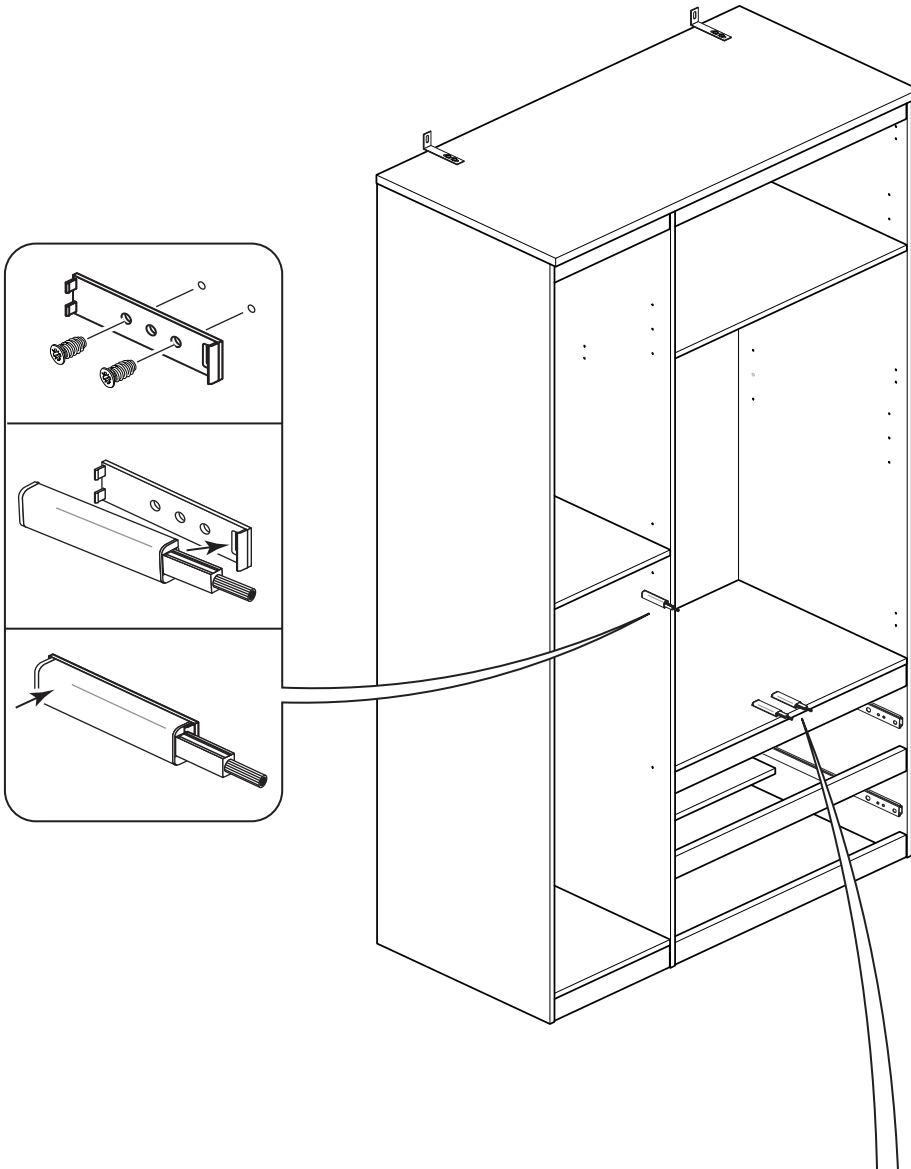
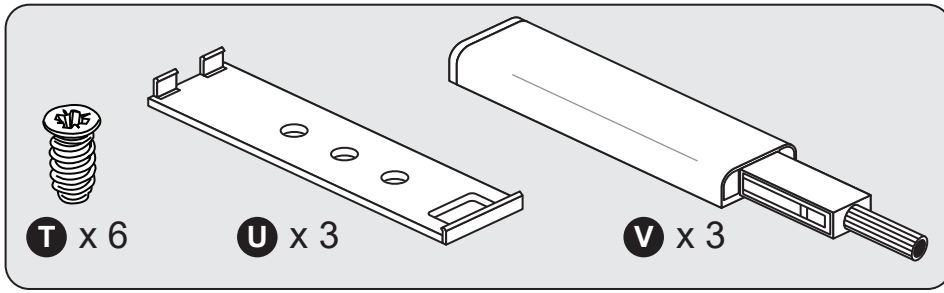
40



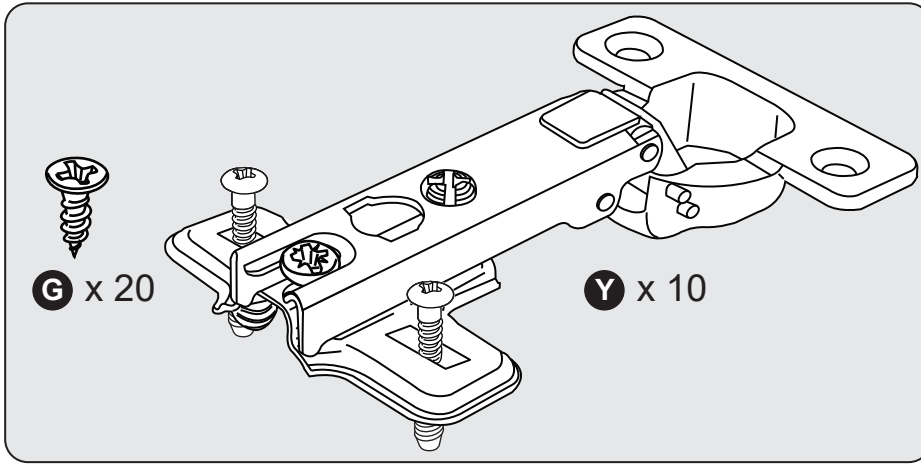
Choose the position for the small shelf to be fitted, and screw in shelf studs to suit.



41

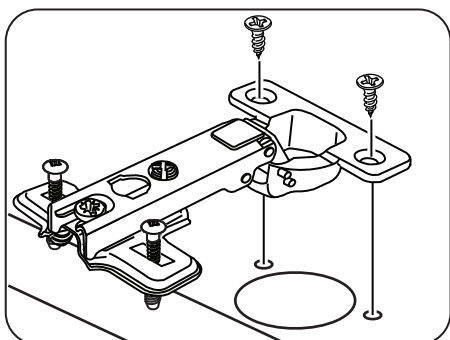
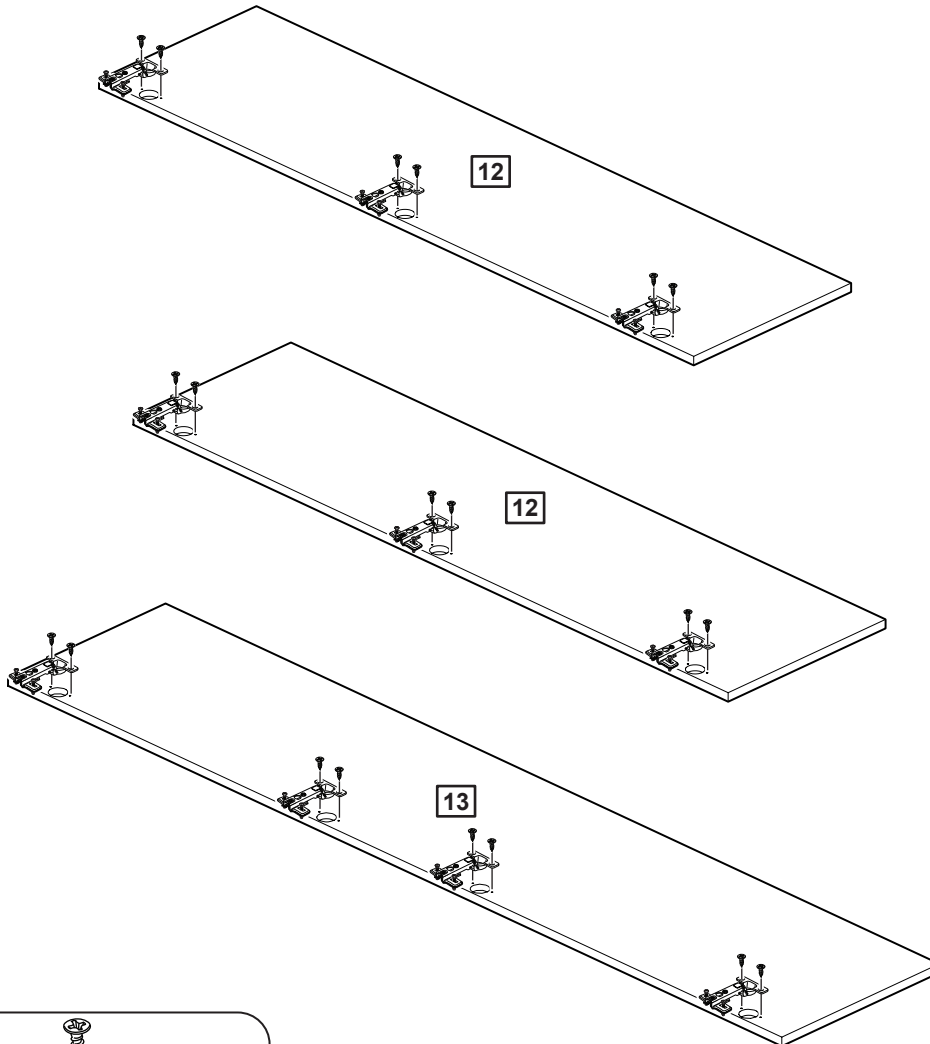


42



Pre-mounted Hinge Fitting & Adjustment

<https://www.youtube.com/watch?v=b4NeCGnpjP8>

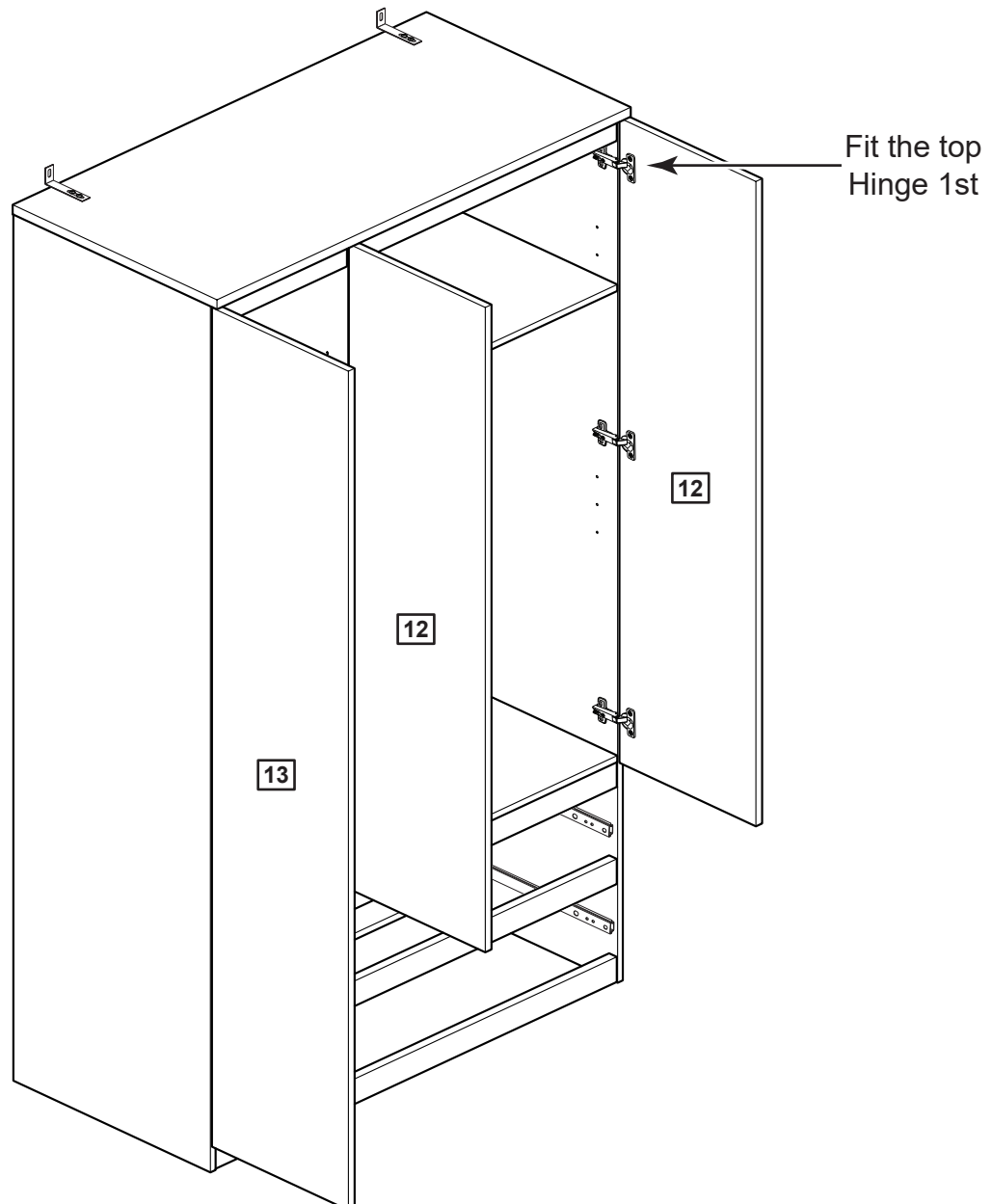
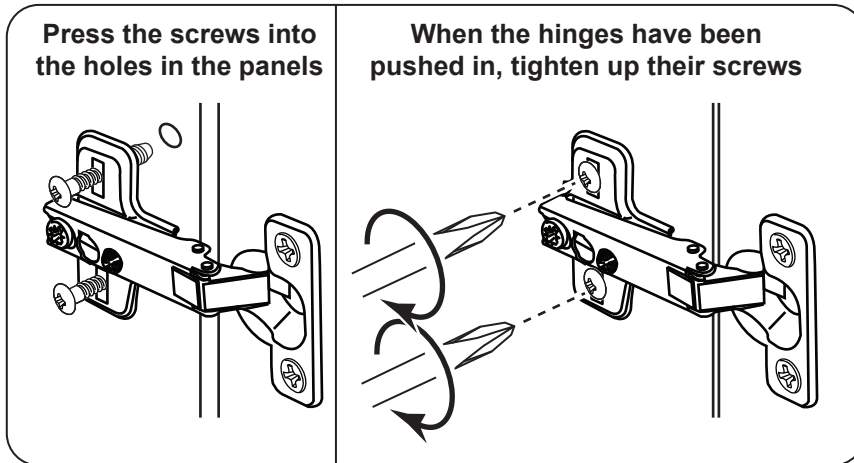


43

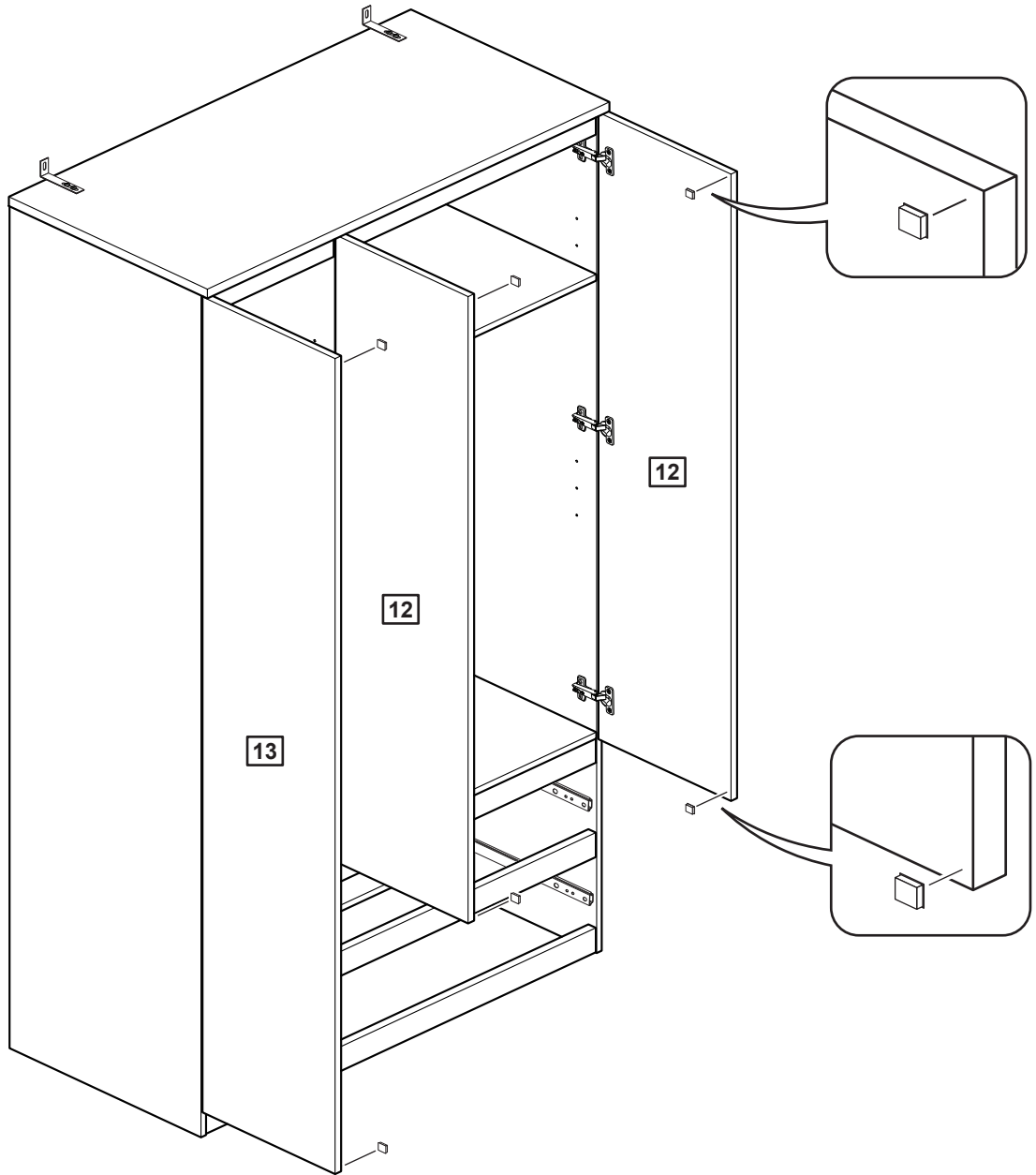
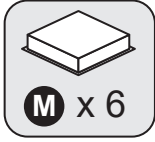


Pre-mounted Hinge Fitting & Adjustment

<https://www.youtube.com/watch?v=b4NeCGnpjP8>



44





Adjust the doors if needed

a: Before adjusting the doors, use a spirit level to check the base (or top) of the unit is level, front-to-back and side-to-side in the 3 positions shown.

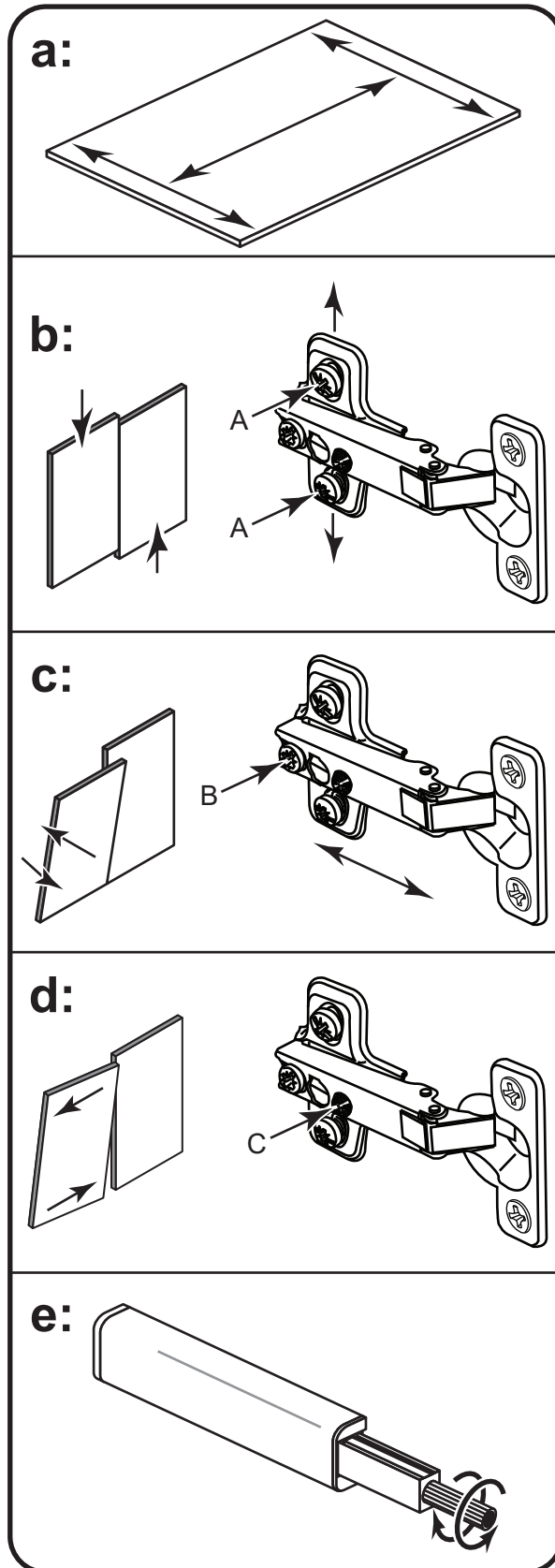
Use suitable packing pieces (not supplied) to make the unit level BEFORE making any adjustment to the hinges, as shown.

b: Height adjustment. Loosen screws A on hinge plates and move door up or down as required. Retighten screw A.

c: Forward and Back adjustment. Loosen screw B on hinge plate and move door in or out as required. Retighten screw B.

d: Sideways adjustment. To move door 'out' loosen screw C. To move door 'in' tighten screw C.

d: Door Push adjustment. Finely adjust the Door Push to suit your requirements. Just a 1/4 of a turn can make a difference.

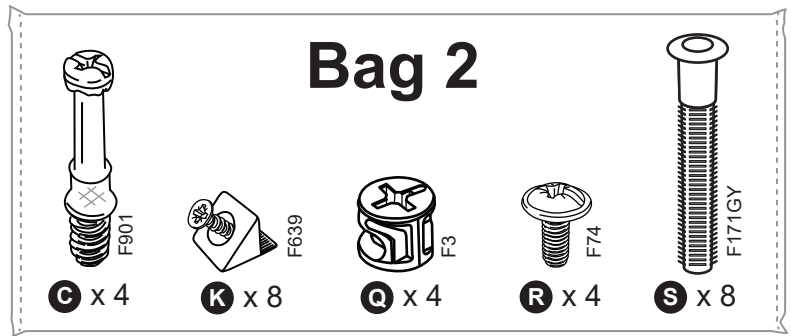
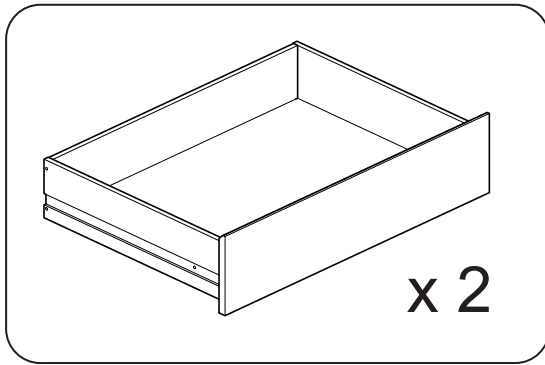


Drawer Assembly

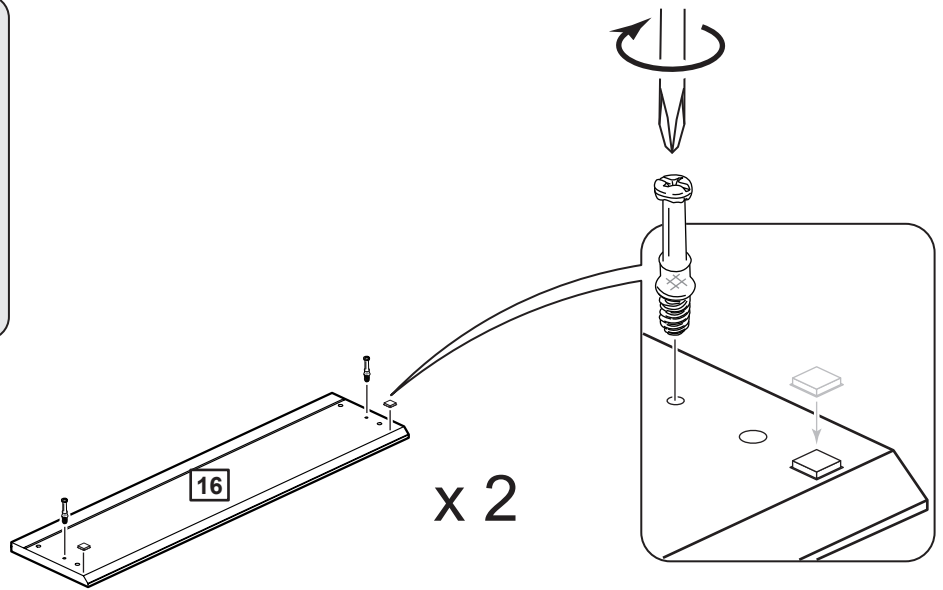
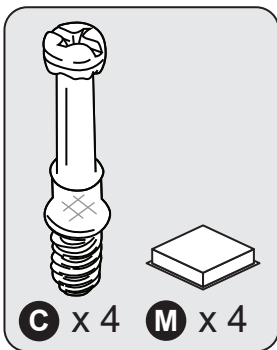


Drawer Assembly

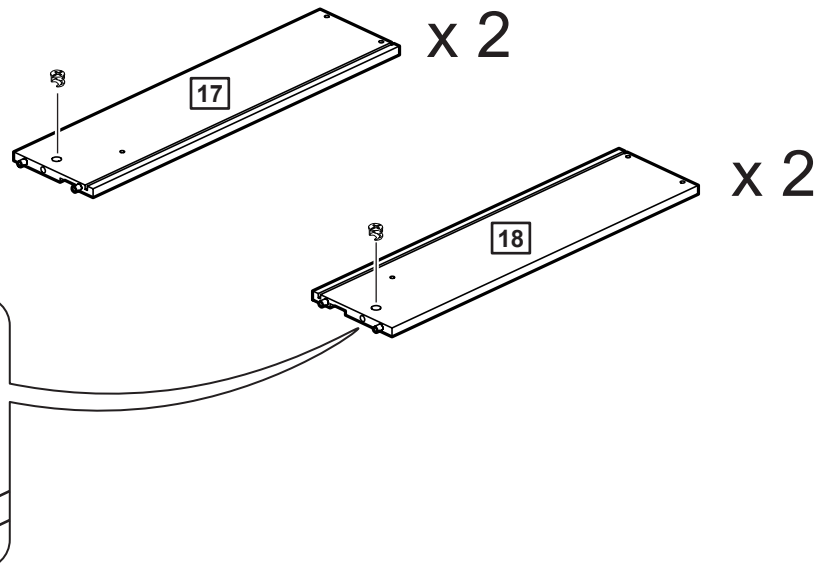
www.youtube.com/watch?v=InNBV_uuMmo



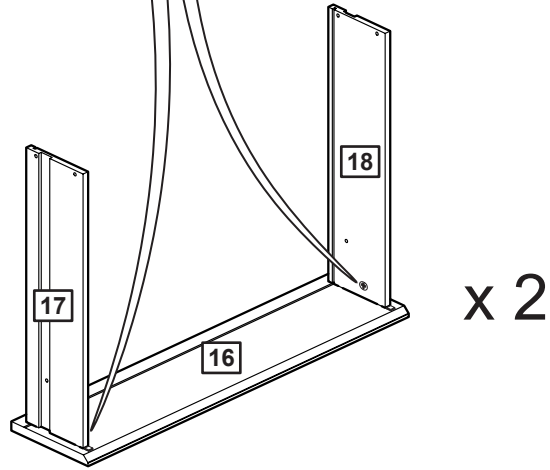
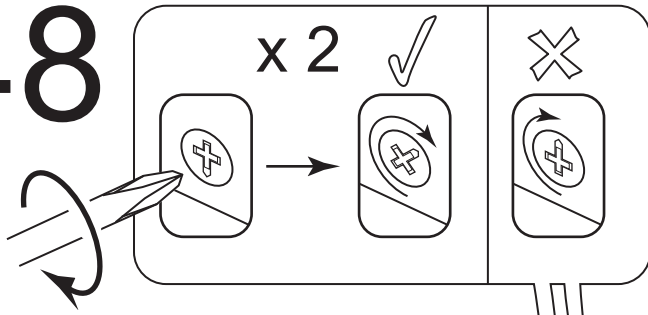
46



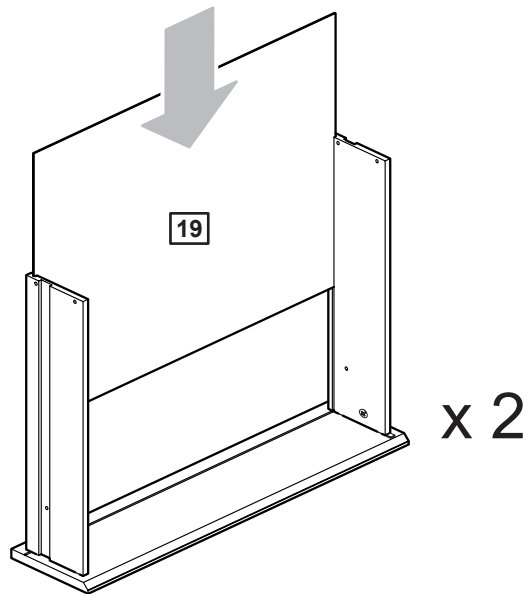
47



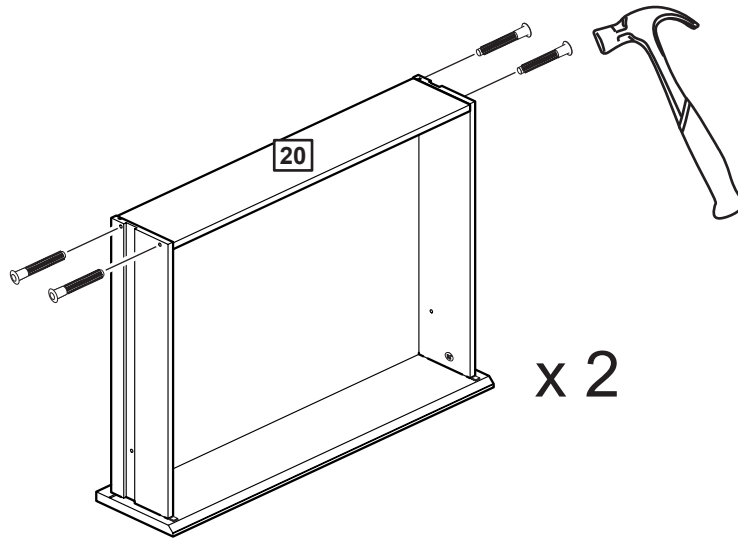
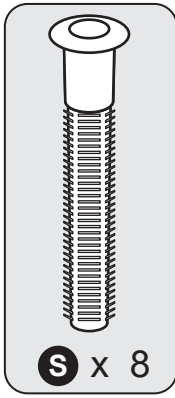
48



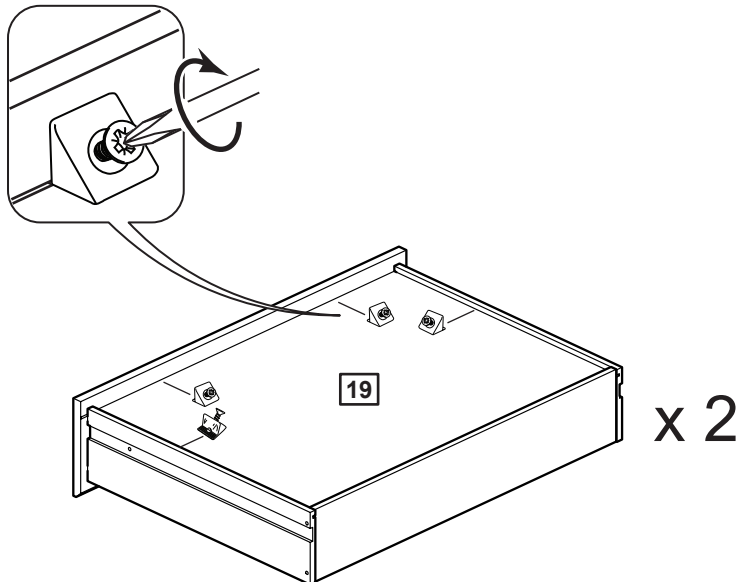
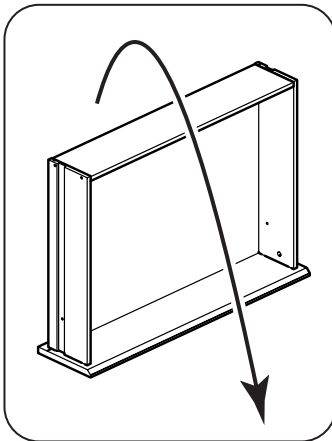
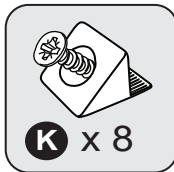
49



50



51

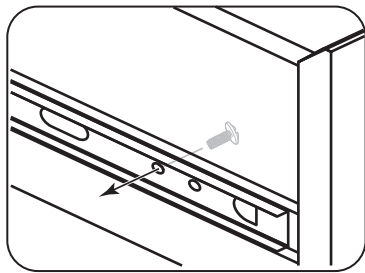


52

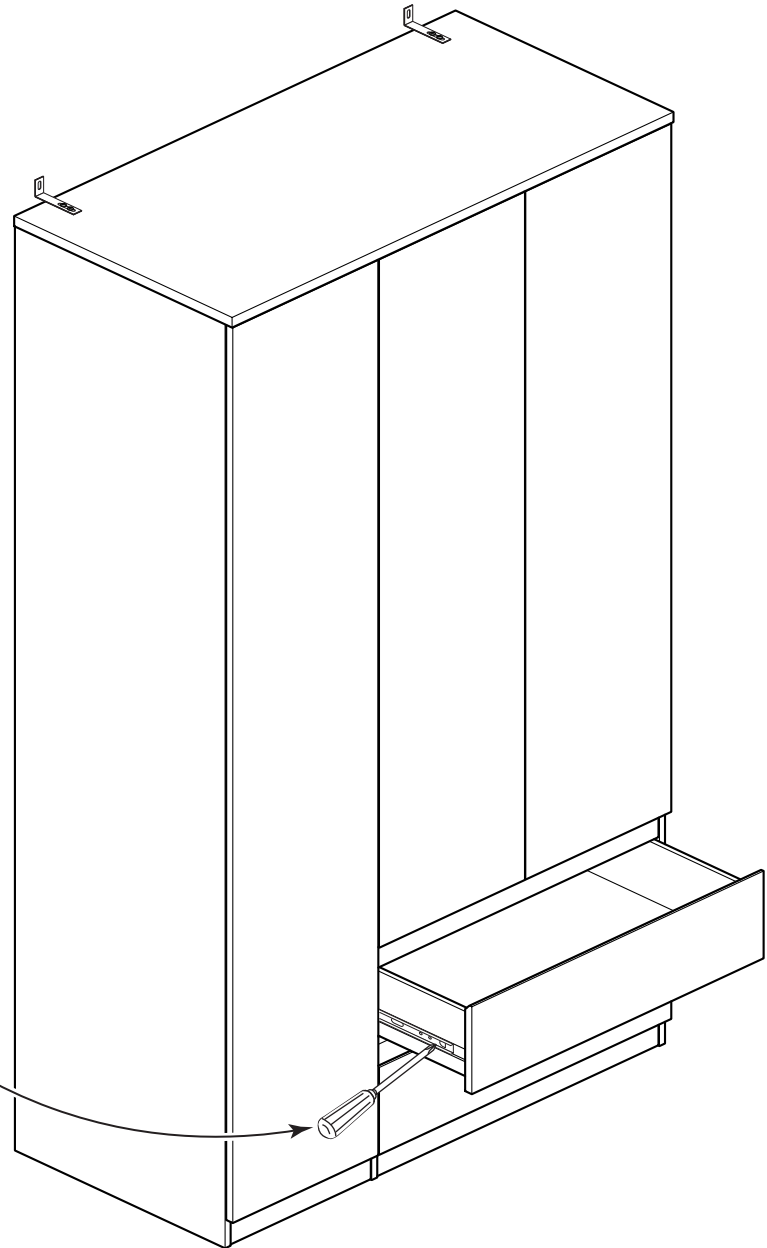


Fitting Ball Bearing Runners

www.youtube.com/watch?v=yG4xtiJJeSg



Warning: Use a Screwdriver to position the Runners as they could have sharp edges

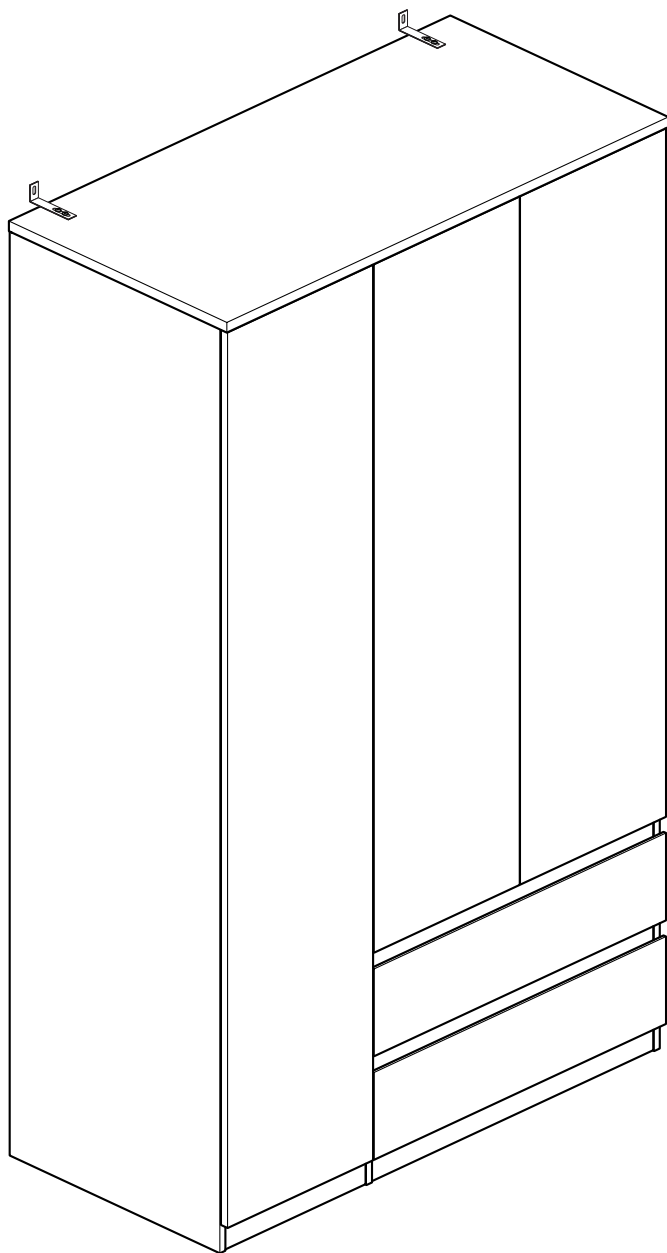


Working from the Bottom Drawer up, slide both Runners forward and locate the Drawer Sides between them, lining up the holes in the Drawer Sides with the 2nd 'threaded' holes in the Runners.

Working from the inside of the Drawer, insert 2 Screws through the Drawer Sides and out into the 2nd threaded hole in the Runner.

Note: Do not overtighten the Screws.
If they catch on the runner you may need to loosen them slightly.

53



Assembly is complete

Please remove any protective film from panel edges and surfaces