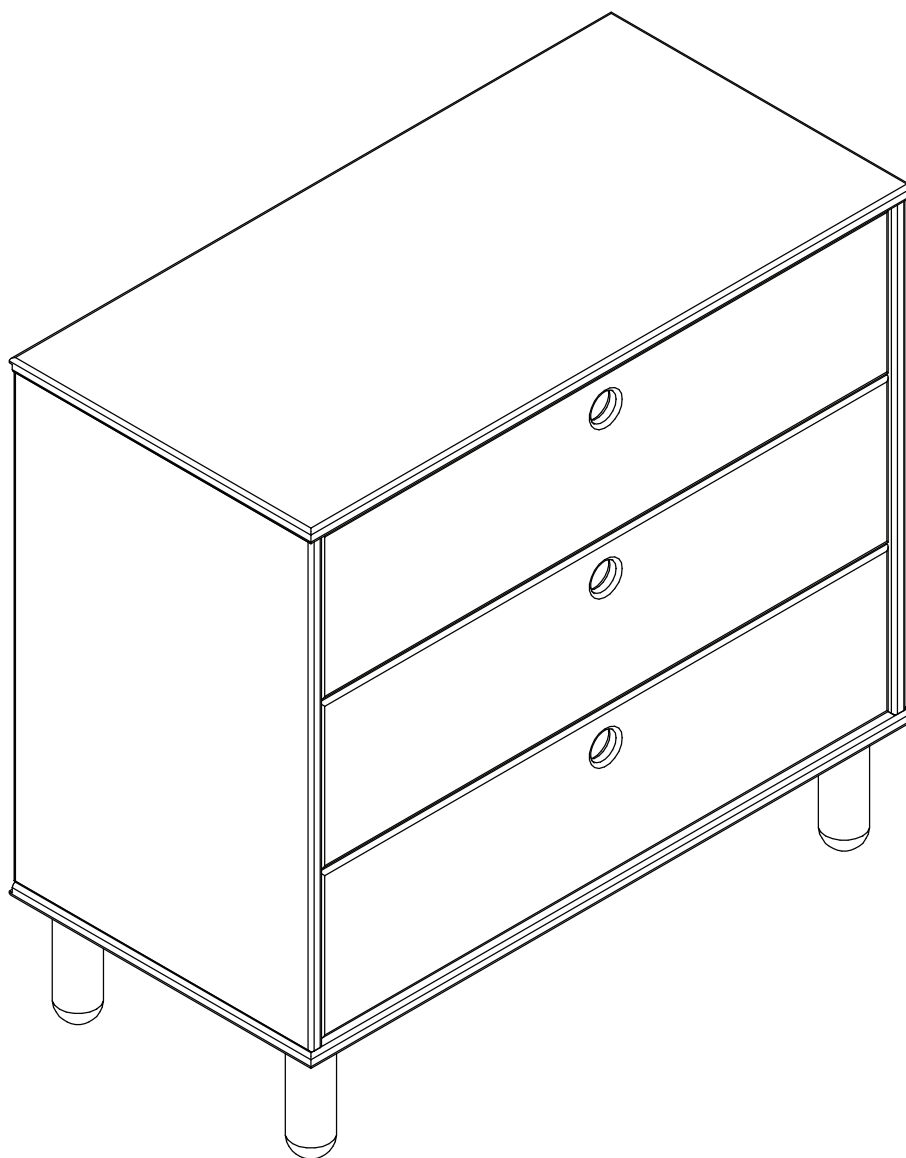


EDEN

habitat



Spare Parts

 www.argos-support.co.uk

 Help@ClickSpares.co.uk

 0370 112 1928

Customer Support

 0045 7668 8055

Safety and Care Advice

Product Details

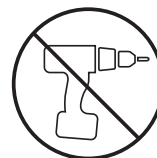
White 466/6309

Rose 311/7749

IMPORTANT, RETAIN FOR FUTURE REFERENCE: READ CAREFULLY.

- Keep children and animals away from the work area. Small parts could choke if swallowed.
- Make sure you have enough space to layout the parts before starting.
- This product has been constructed to be used in the domestic environment only and not for commercial purposes.
- Assemble the item as close to its final position (in the same room) as possible.

- Assemble on a soft level surface to avoid damaging the unit or your floor.
- Parts of the assembly will be easier with 2 people.
- Assembly to be carried out by a competent adult only.
- Do not use this item if any components are missing or damaged



- We do not recommend the use of power drill/drivers for inserting screws, as this could damage the unit. Only use hand screwdrivers.
- Dispose of all packaging carefully and responsibly.
- **WARNING:** In order to prevent overturning, this product must be used with the wall attachment provided.

Care and maintenance

- Only clean using a damp cloth and mild detergent. Do not use bleach or abrasive cleaners. Furniture polish is not recommended.

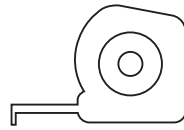
- From time to time check that there are no loose screws, nuts or bolts. If there are please re-tighten.
- This product should not be discarded with household waste. Take to your local authority waste disposal centre.

- This product is suitable for children in the age 18 months to 12 years. Maximum load on chest 30 kg. Maximum load in each drawer 7 kg.

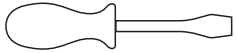
Tools required



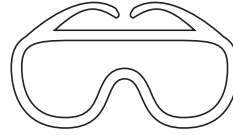
Phillips screwdriver
(medium)



Ruler/tape
measure



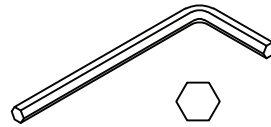
Flatblade screwdriver
(medium)



Eye protection
(when using a
hammer or glue)

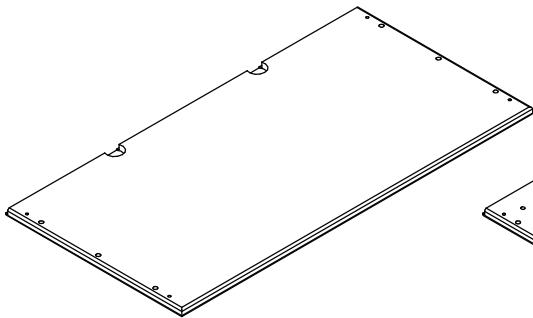


Small hammer

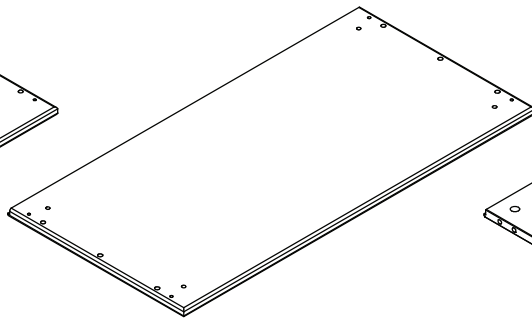


Allen key 4mm
(included)
No. 4033-002

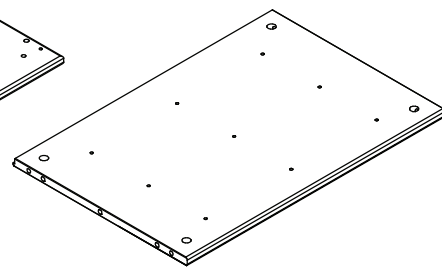
Components



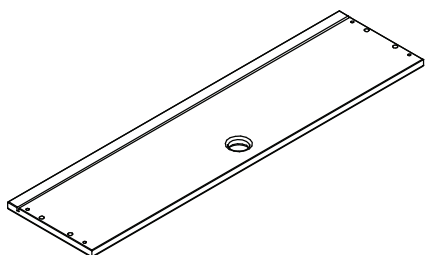
1 Top
(788x395x16mm)
No. 4301-1607881-40 White
No. 4301-1607881-26 Rose



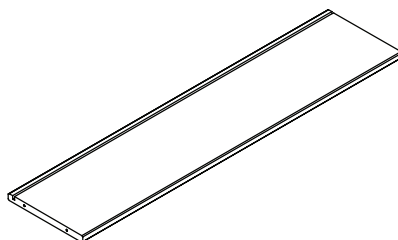
2 Bottom
(788x395x16mm)
No. 4301-1607882-40 White
No. 4301-1607882-26 Rose



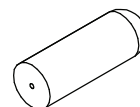
3 Side x2
(579x391x16mm)
No. 4301-1605791-40 White
No. 4301-1605791-26 Rose



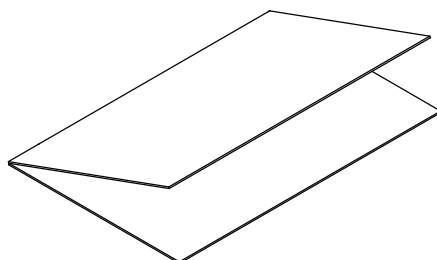
4 Drawer front x3
(744x189x16mm)
No. 4301-1607449-40 White
No. 4301-1607449-26 Rose



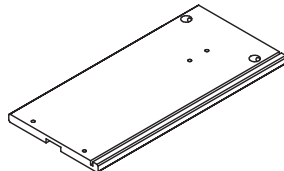
5 Drawer back x3
(716x167x13mm)
No. 15-01307161



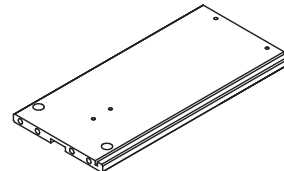
6 Leg x4
(Ø48x140mm)
No. 12-04801401



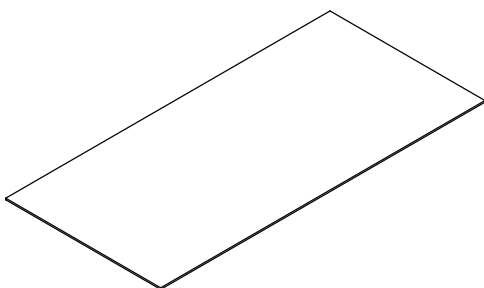
7 Back panel
(598x767/383,5x3mm)
No. 4309-0305981



8 Drawer side Right x3
(353x167x13mm)
No. 15-01303503



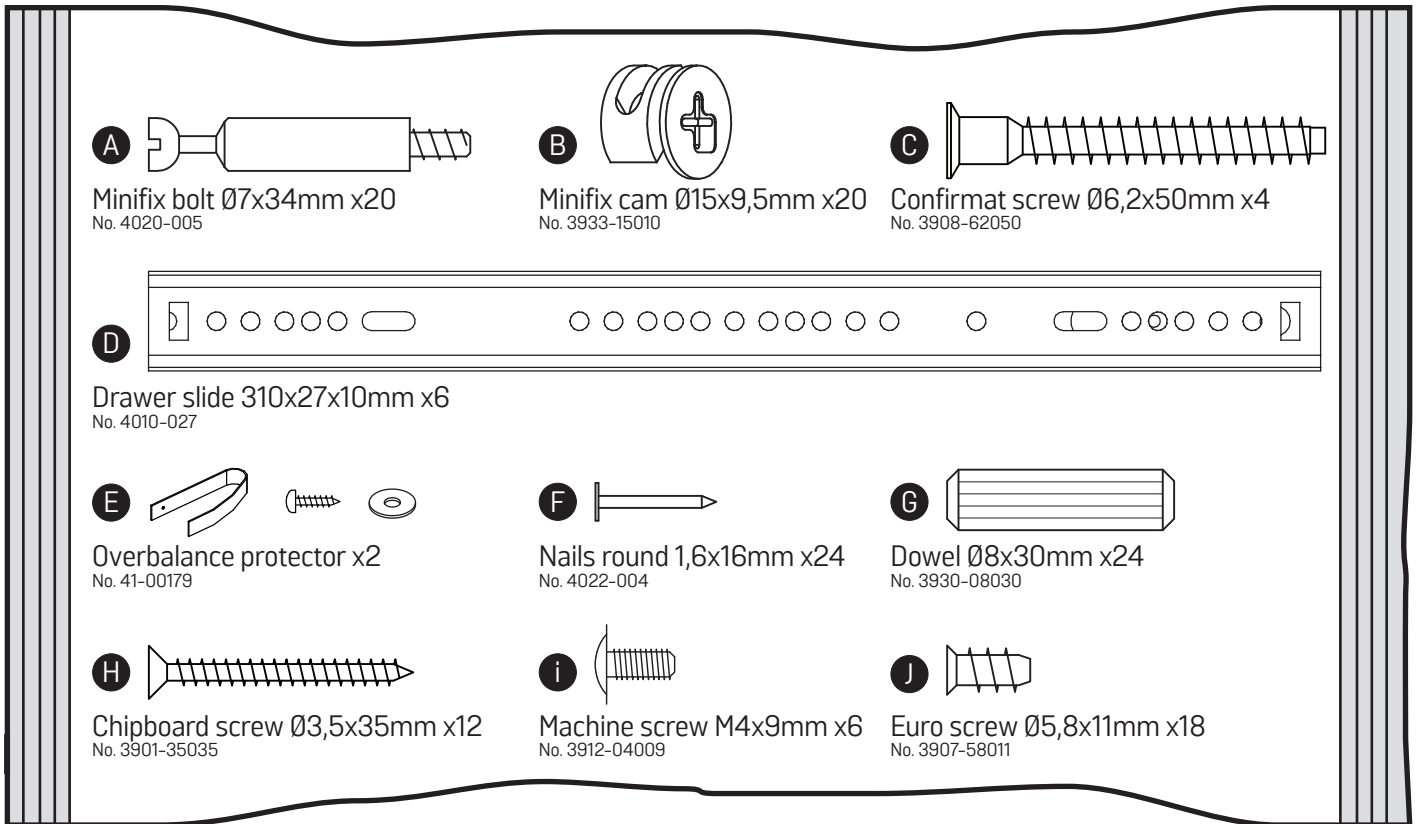
9 Drawer side Left x3
(353x167x13mm)
No. 15-01303504



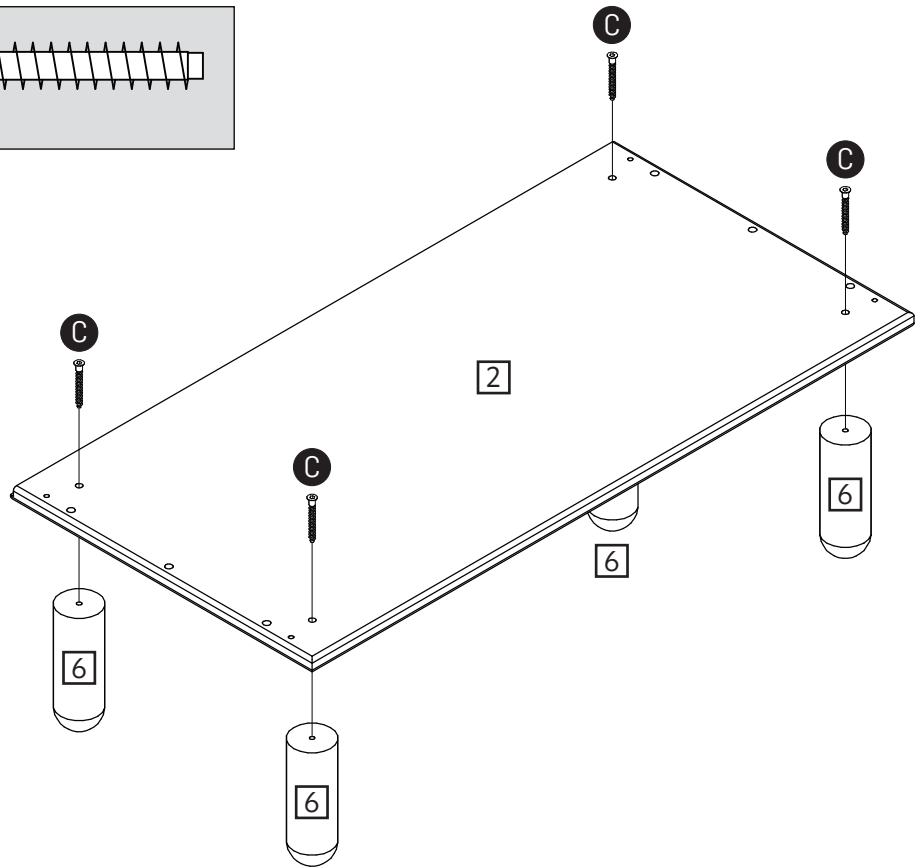
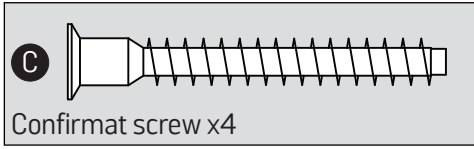
10 Drawer base x3
(728x348x3mm)
No. 4309-0307281

Fittings (Shown to scale)

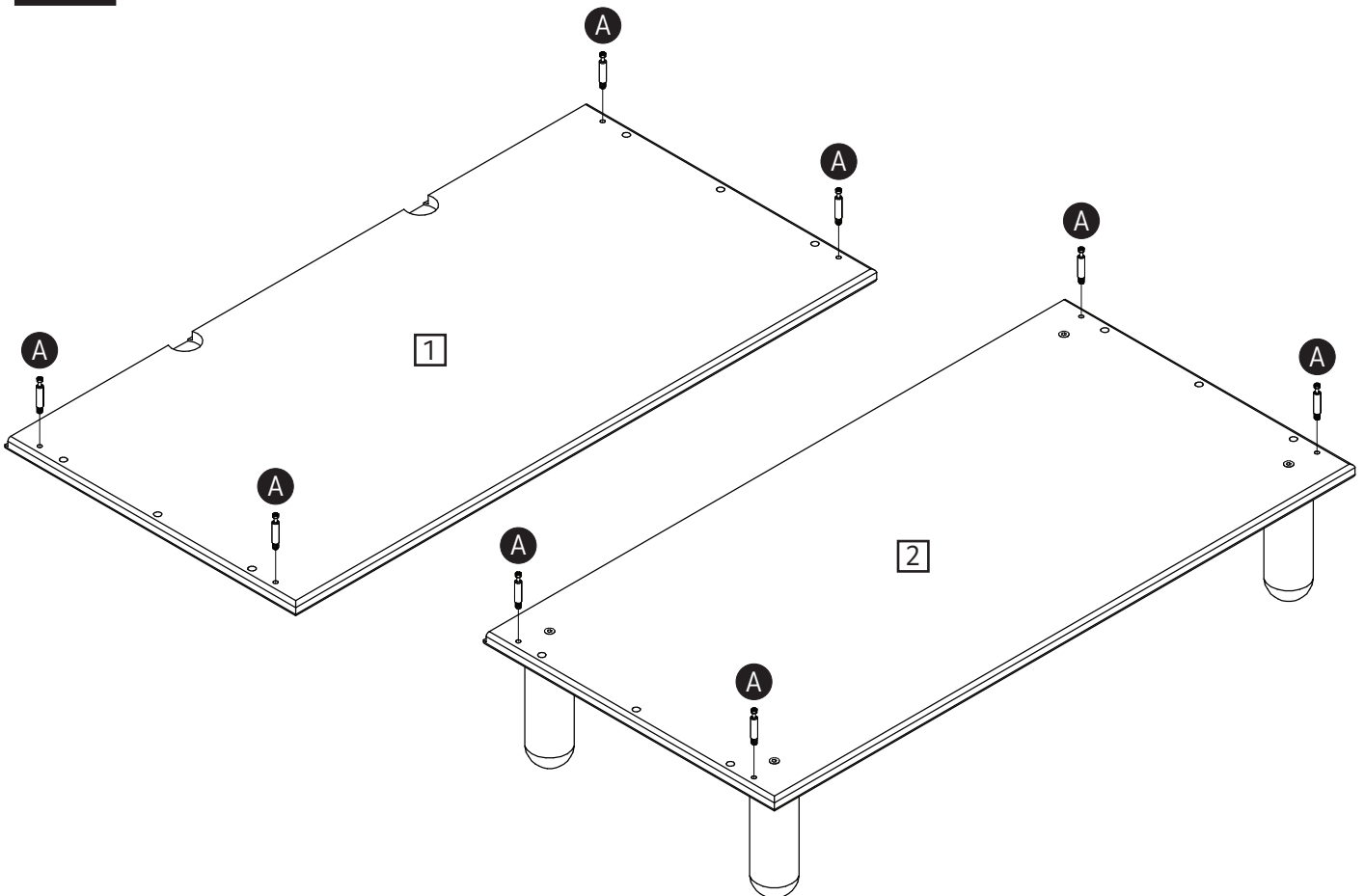
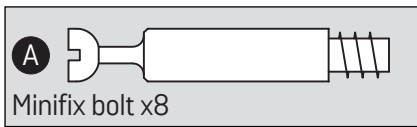
Bag



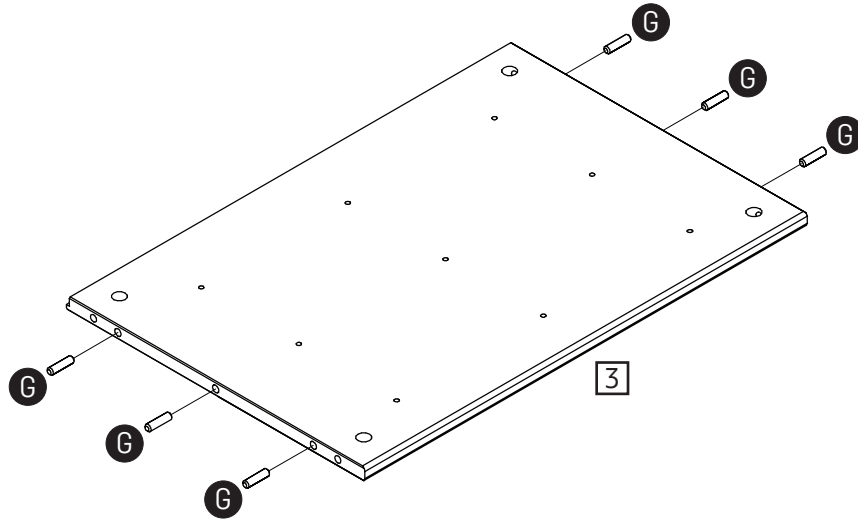
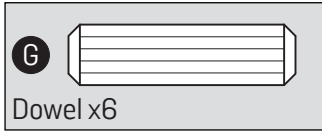
1



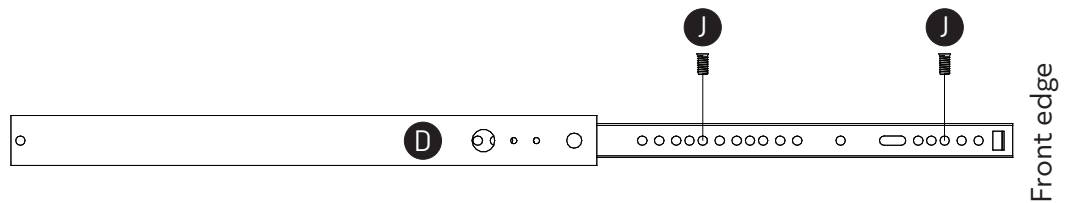
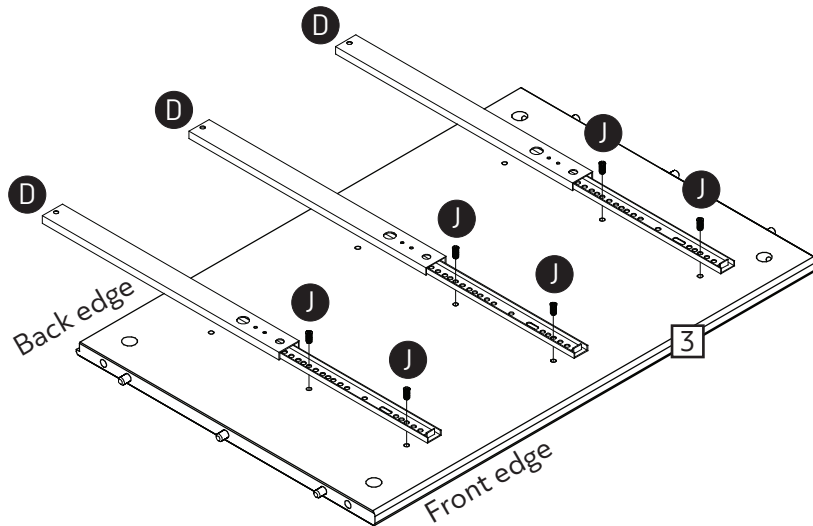
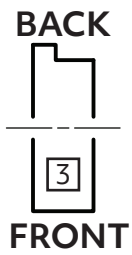
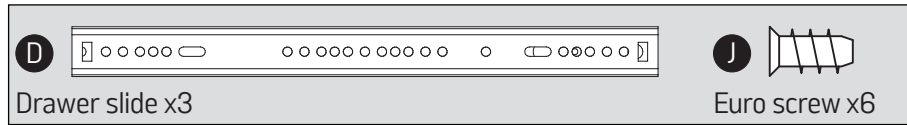
2



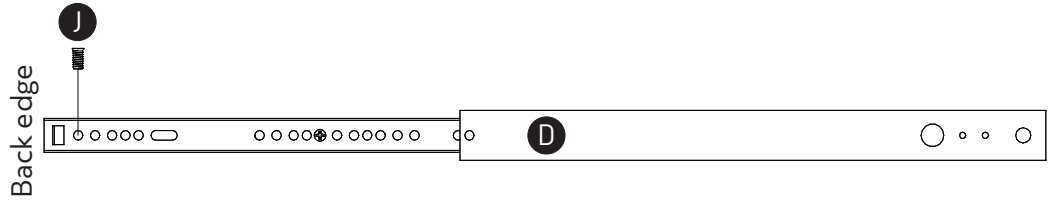
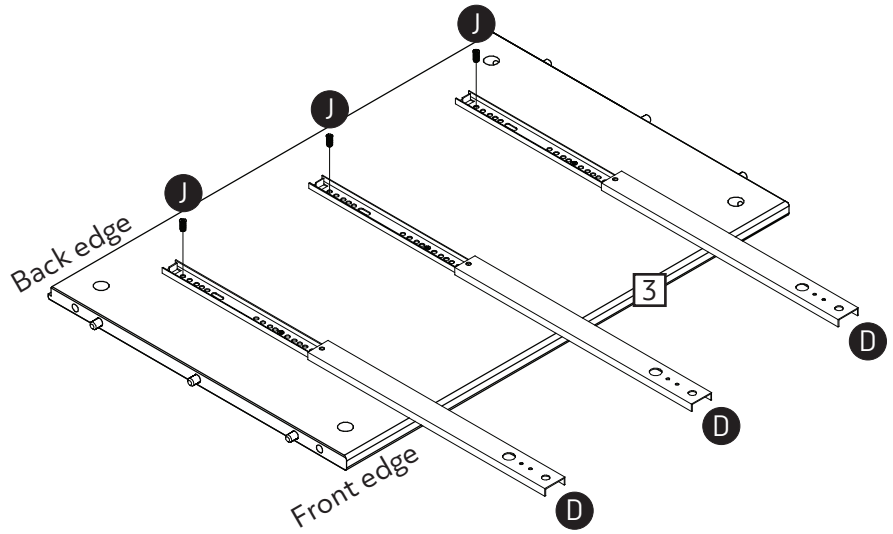
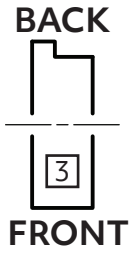
3



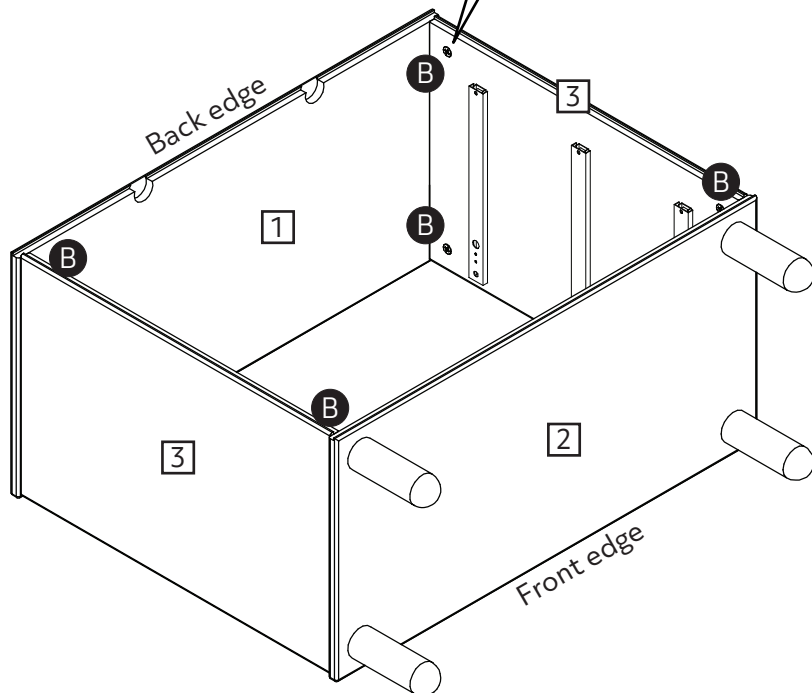
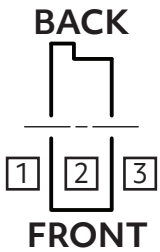
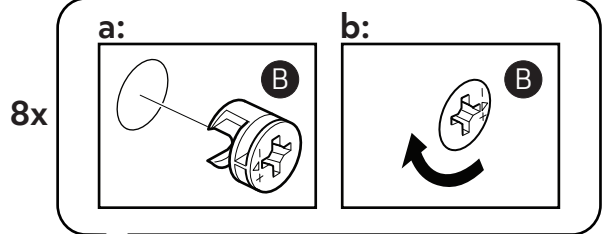
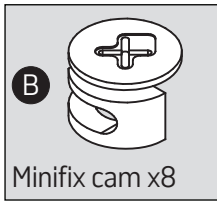
4a



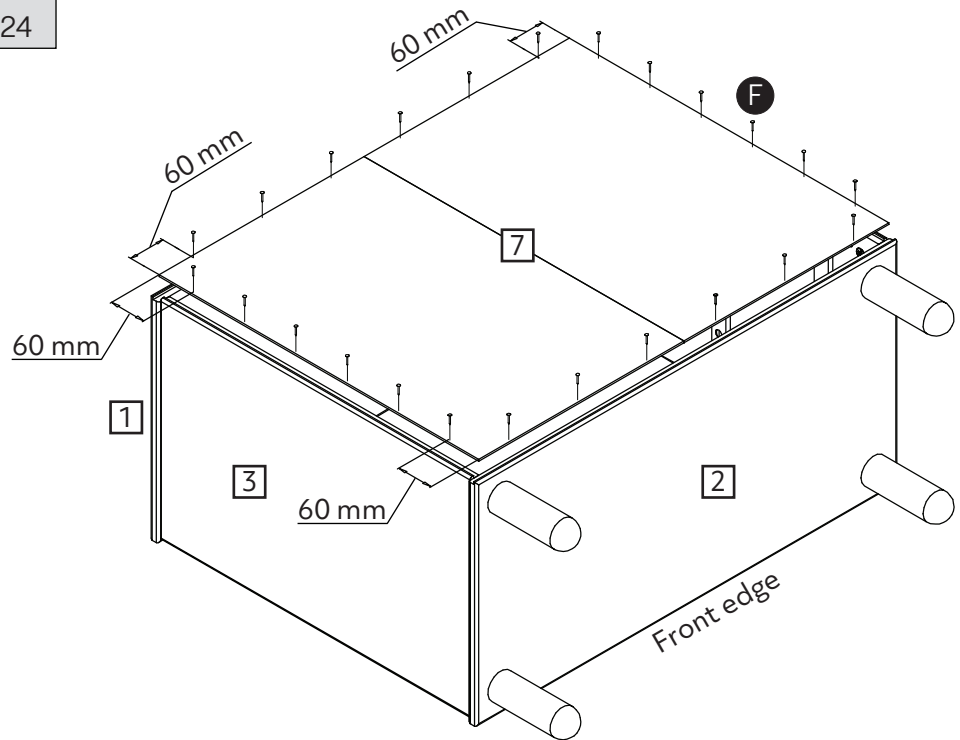
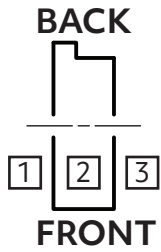
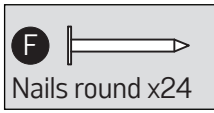
4b



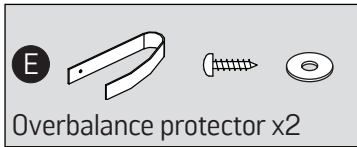
5



6

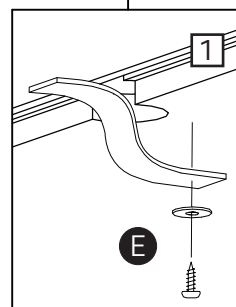
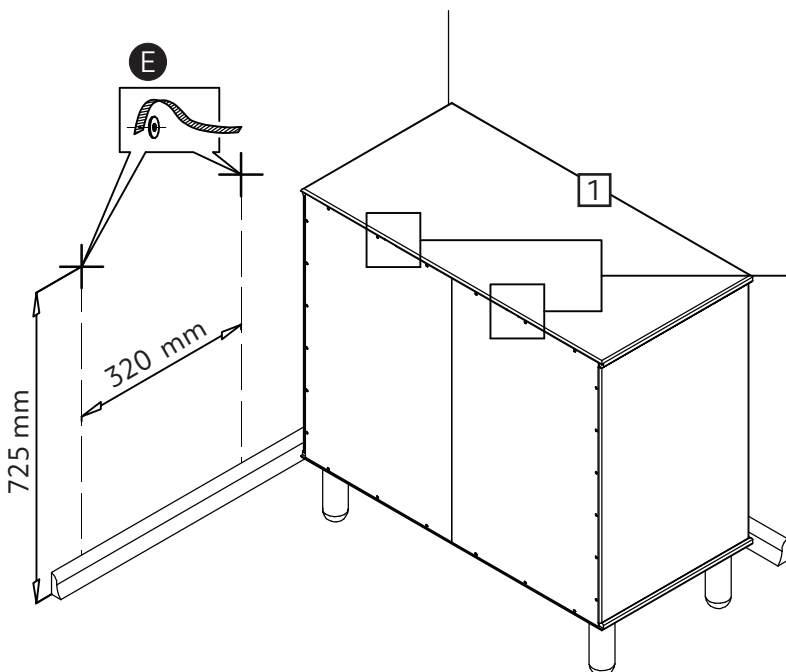
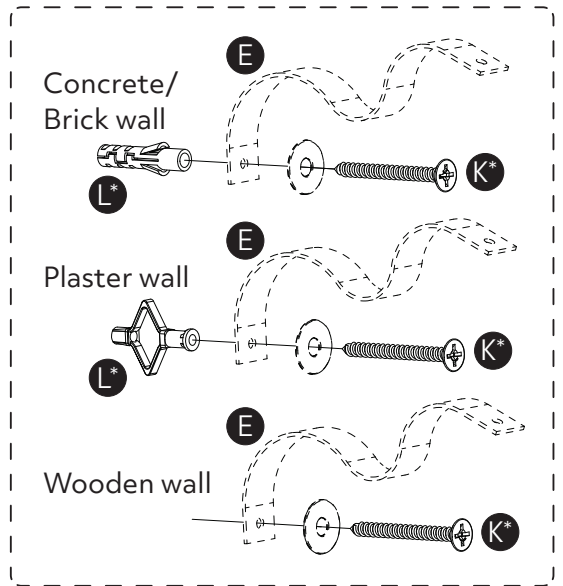


7

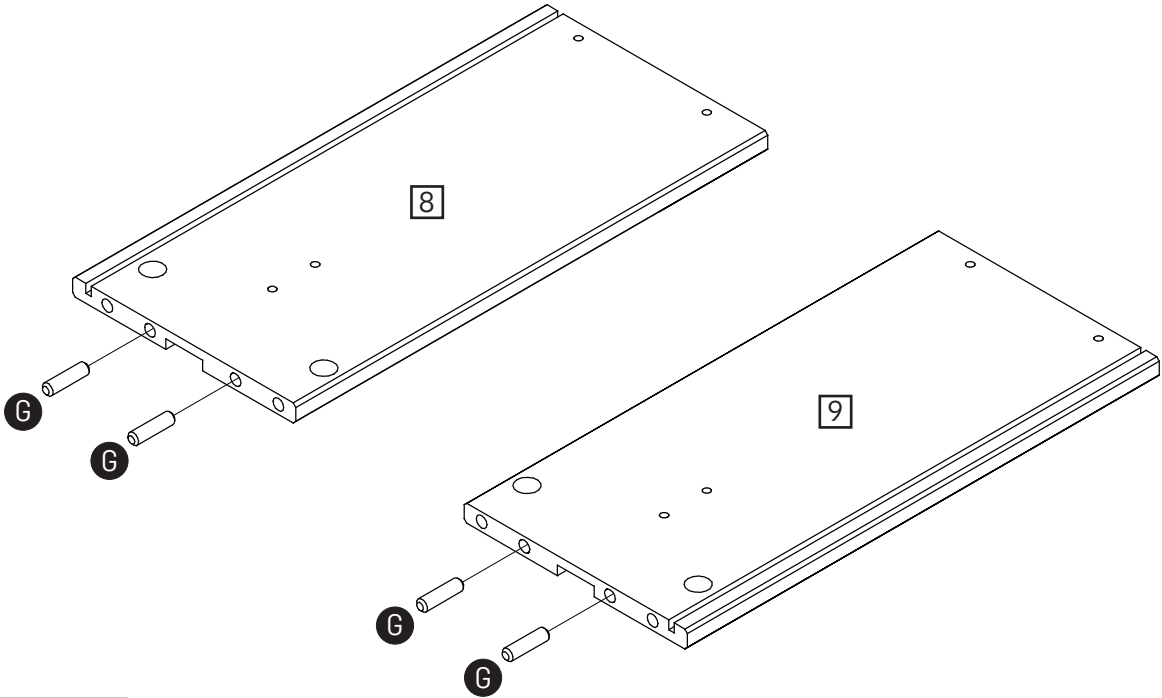
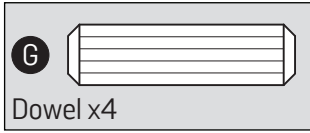


K* & L*

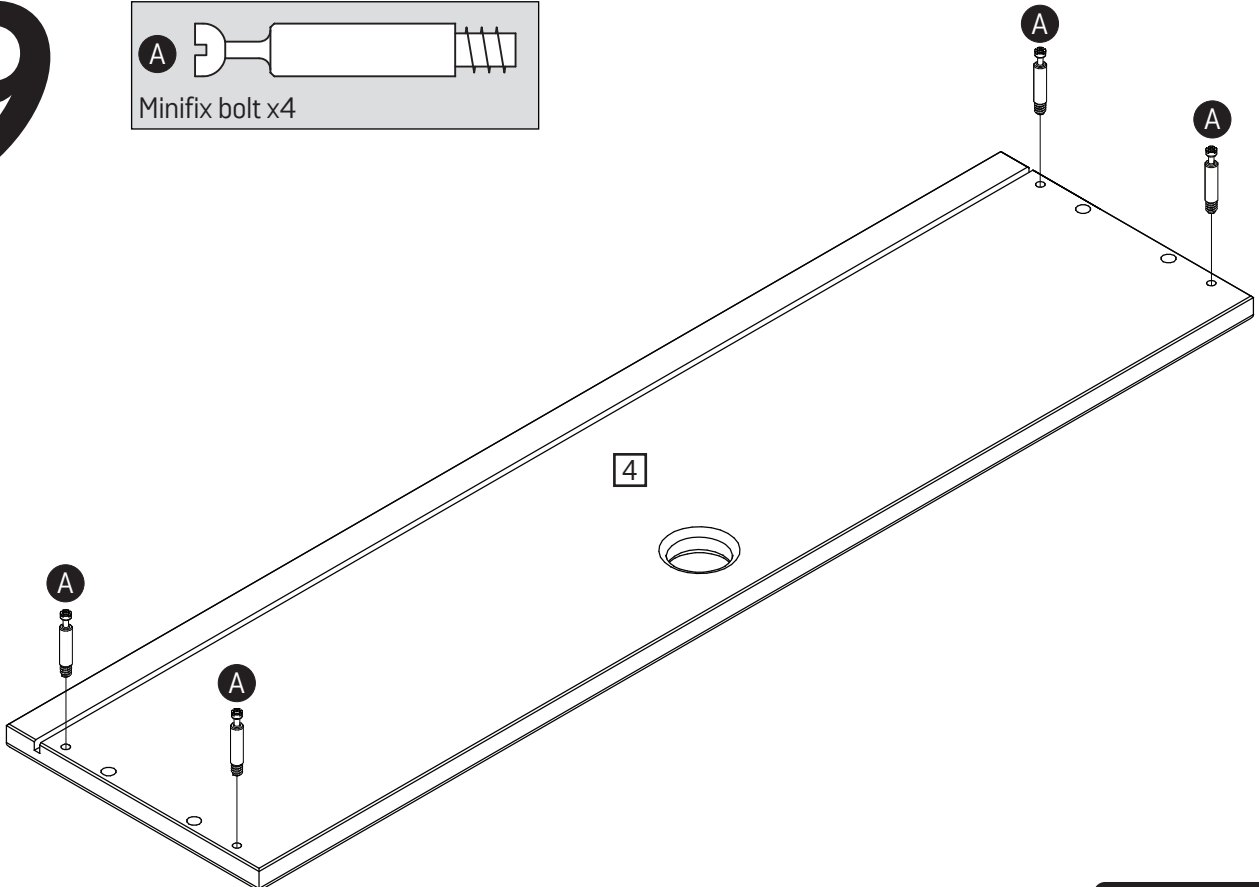
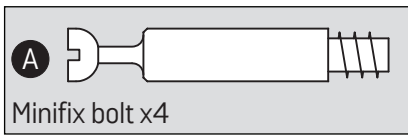
NB!



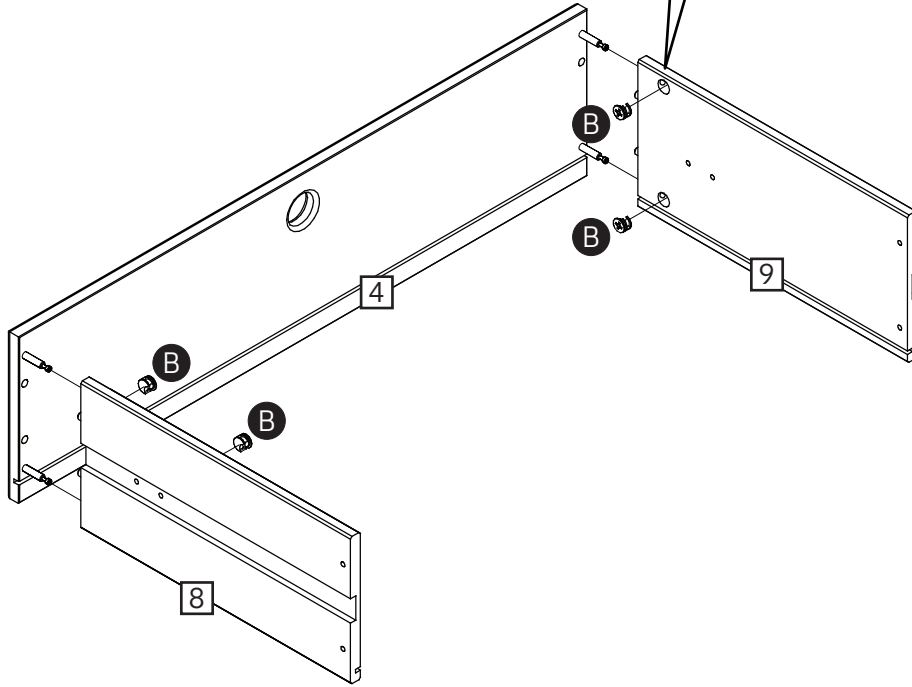
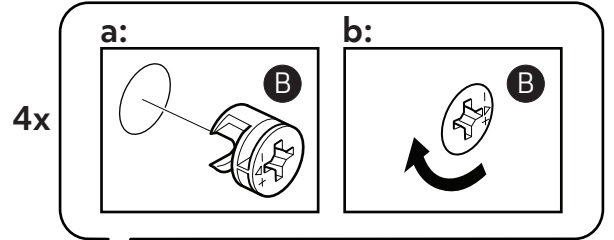
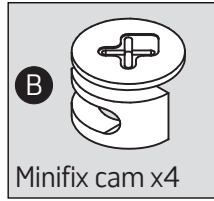
8



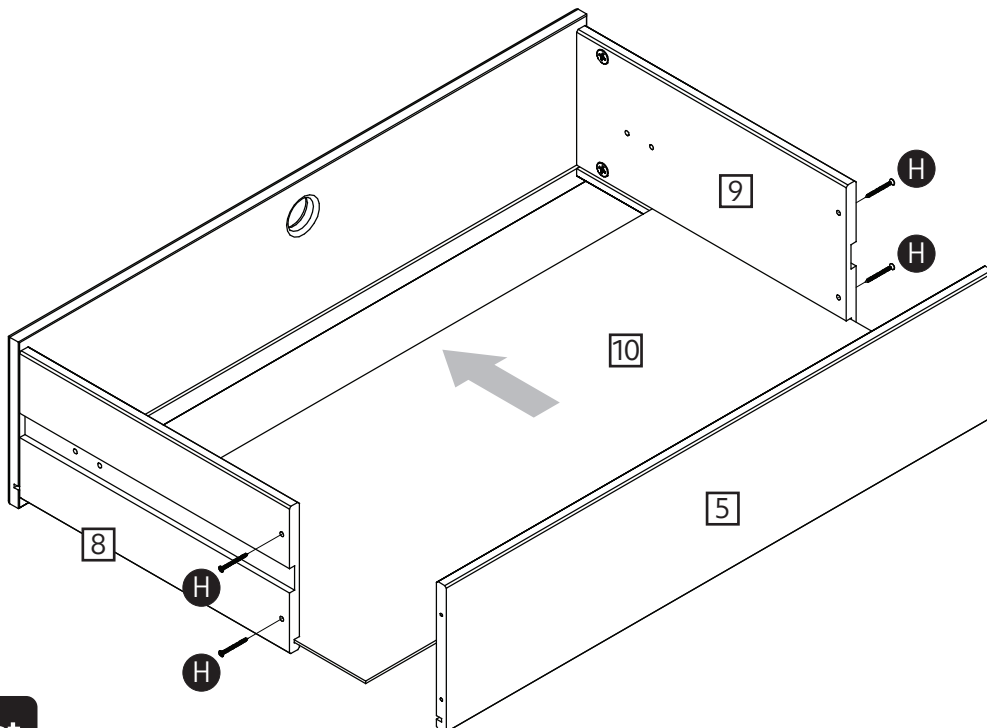
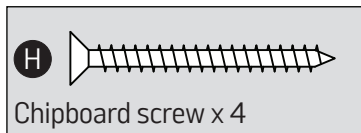
9



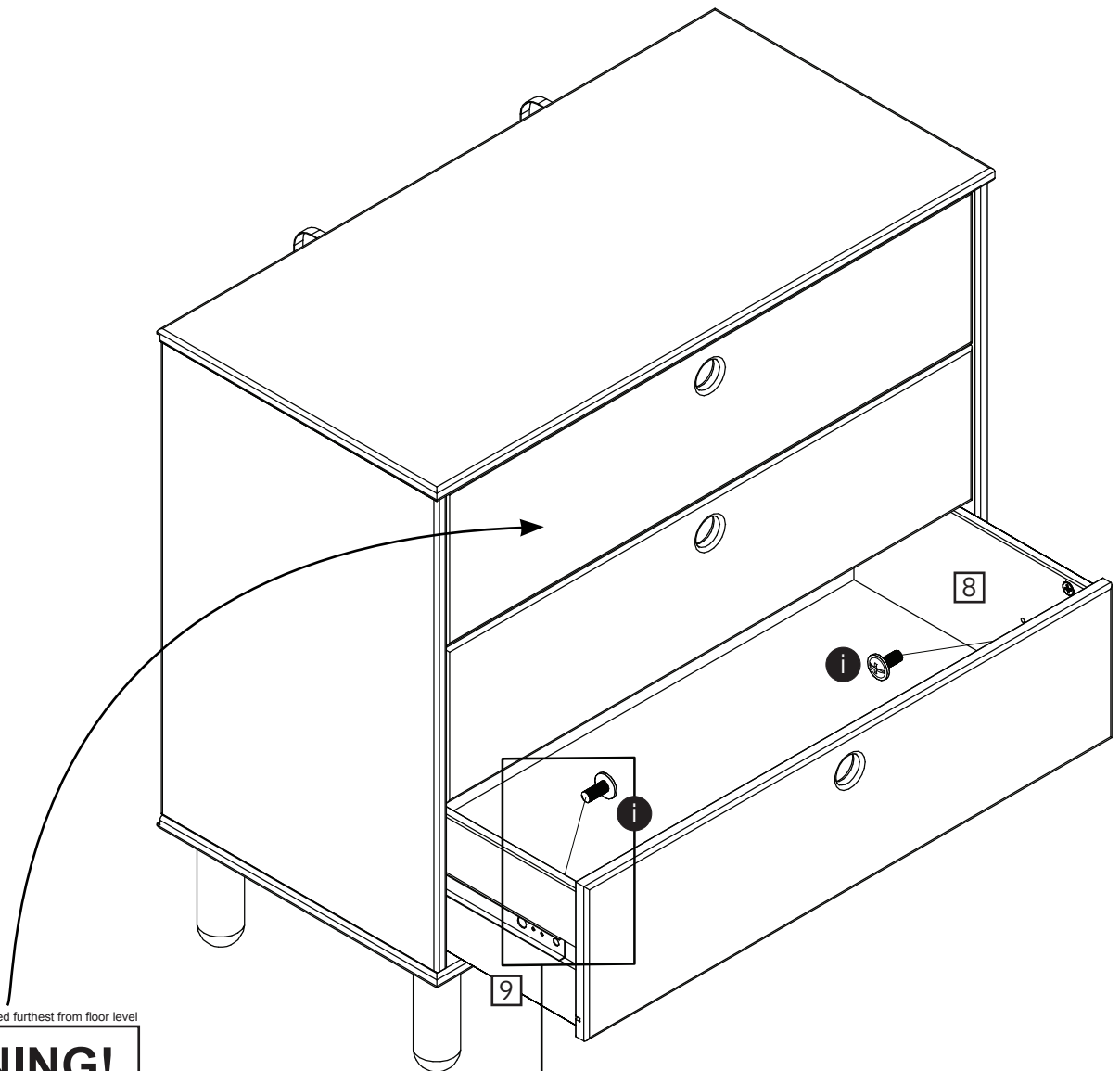
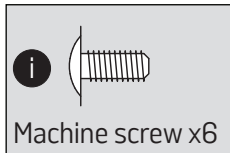
10



11



12



This drawer must be positioned furthest from floor level

WARNING!

**IN ORDER TO PREVENT OVERTURNING
THIS PRODUCT MUST BE USED WITH
THE WALL ATTACHMENT DEVICE
PROVIDED**

Serious or fatal crushing injuries can occur from furniture tipping over. To help prevent topple over:

- Use the wall attachment device provided
- Never allow children to climb or hang on drawers, doors or shelves
- Place heaviest items in the lower drawers or shelves
- Unless specifically designed to accommodate, do not set TV's or other heavy objects on top of this product
- Never open more than one drawer at a time

An attachment device is provided with your product, however you will need to source suitable fixings for your wall type. If in doubt, please consult a qualified trades person.

Always ensure the wall to be drilled is free from hidden electrical wires, water and gas pipes.

Permanent safety label. Please do not remove

