

# Kirk

## 3+3 Chest

habitat 



### Spare Parts

 [www.argos-support.co.uk](http://www.argos-support.co.uk)

 [Help@ClickSpares.co.uk](mailto:Help@ClickSpares.co.uk)

 0370 112 1928

### Customer Support

 0345 640 2020



# Safety and Care Advice

---

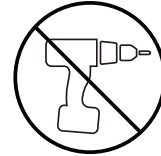
## Product Details

Kirk 3+3 DRW Chest 3117529 Walnut

Kirk 3+3 DRW Chest 2653314 Oak

## IMPORTANT, RETAIN FOR FUTURE REFERENCE: READ CAREFULLY.

- Keep children and animals away from the work area, small parts could choke if swallowed.
- Assemble the item as close to its final position (in the same room) as possible.
- Assemble on a soft level surface to avoid damaging the unit or your floor.
- We do not recommend the use of power drill/drivers for inserting screws as this could damage the unit. Only use hand screwdrivers.
- Parts of the assembly will be easier with 2 people.
- Dispose of all packaging carefully and responsibly.



## Care and maintenance

---

- Only clean using a damp cloth and mild detergent. Do not use abrasive cleaners.
- From time to time check that there are no loose screws, nuts or bolts. If there are please re-tighten.
- This product should not be discarded with household waste. Take to your local authority waste disposal centre.
- Use a dry cloth to clean the product, furniture polish is not recommended.

## Additional Guidance

---

- Assemble all parts and bolts loosely during assembly, only once the product is complete should you fully tighten the bolts.
- Regularly check and ensure that all bolts and fittings are tightened properly.
- Maximum loading weight 70kg.
- This product is compliant EN14749,BS4875-7.
- Any additional or replacement parts are obtained from the manufacturer.

# Fittings (Shown to scale)

## Bag 1

**A**



32mm Metal Dowel x42

**B**



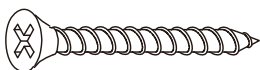
Locking Nut x42

**C**



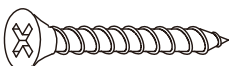
30mm Wooden Dowel x24

**D**



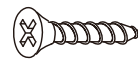
35mm Screw x24

**E**



30mm Screw x6

**F**



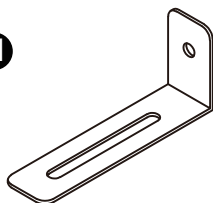
16mm Screw x6

**G**



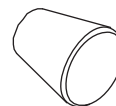
16mm Screw x2

**H**



Wall Connector x2

**I**



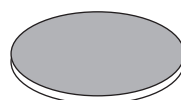
25mm Handle x6

**J**



Plastic Cleat x6

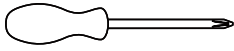
**K**



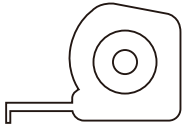
Ø15mm Foot Pad x4

# Tools required

---



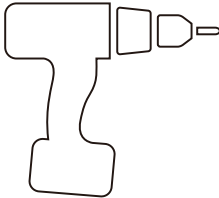
Phillips screwdriver  
(small & medium)



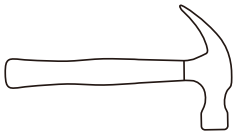
Ruler/tape  
measure



Phillips screwdriver  
(small & medium)



Power Drill



Large hammer

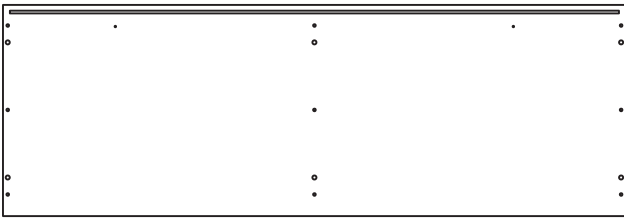


Pencil

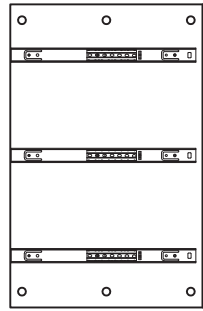


Drill Heads

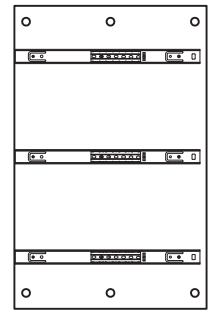
# Panels



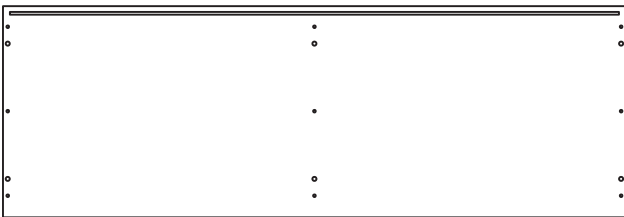
**1** Top Panel x1  
(1180 x 400mm)



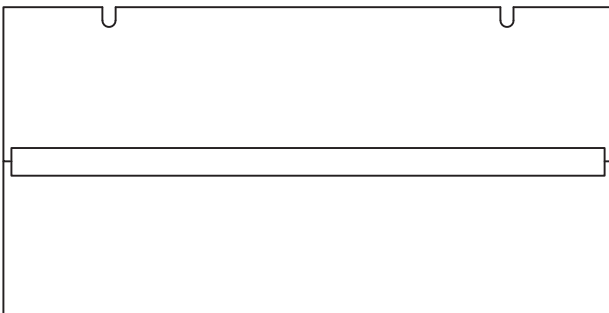
**2** Side Panel x2  
(574 x 380mm)



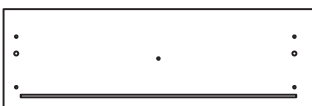
**3** Middle Panel x1  
(574 x X364mm)



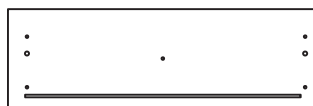
**4** Bottom Panel x1  
(1180 x 400mm)



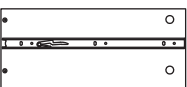
**5** Back Panel x1  
(1152 x 584mm)



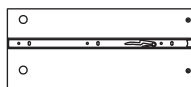
**6** Left Drawer Front x3  
(587 x 187mm)



**7** Right Drawer Front x3  
(587 x 187mm)



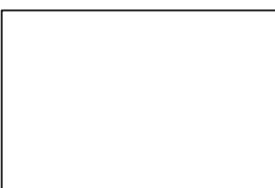
**8** Left Side Drawer x6  
(350 x 150mm)



**9** Right Side Drawer x6  
(350 x 150mm)

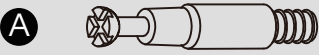

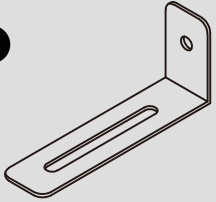


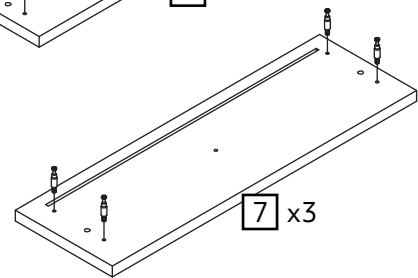
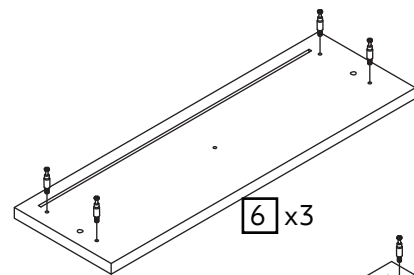
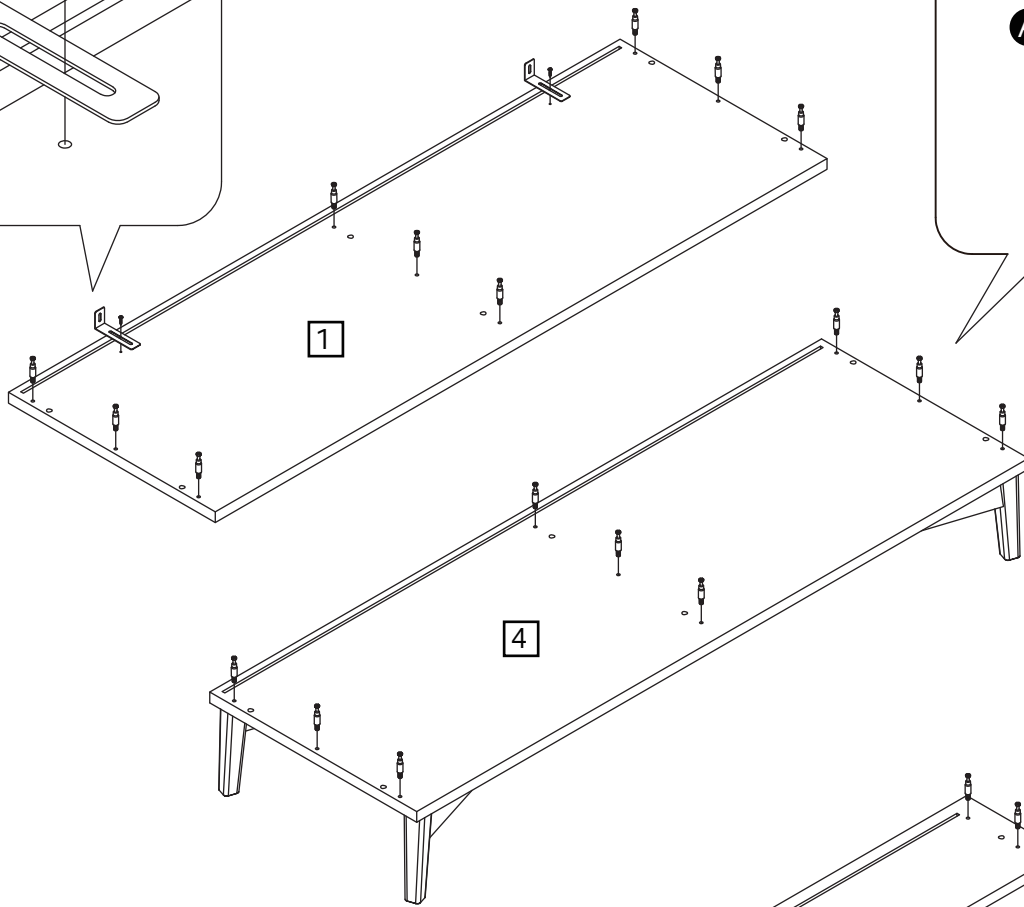
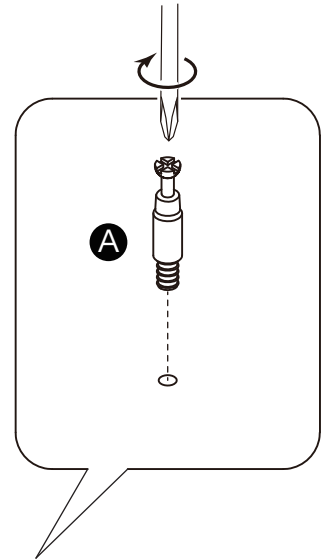
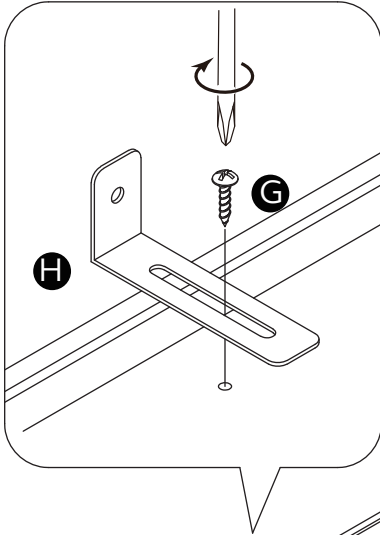
**10** Drawer Back x6  
(512 x 150mm)



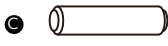




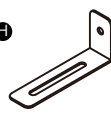





**11** Drawer Base x6  
(522 x 344mm)

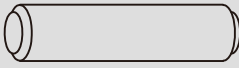

# 1

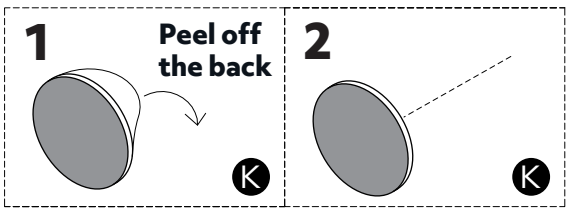
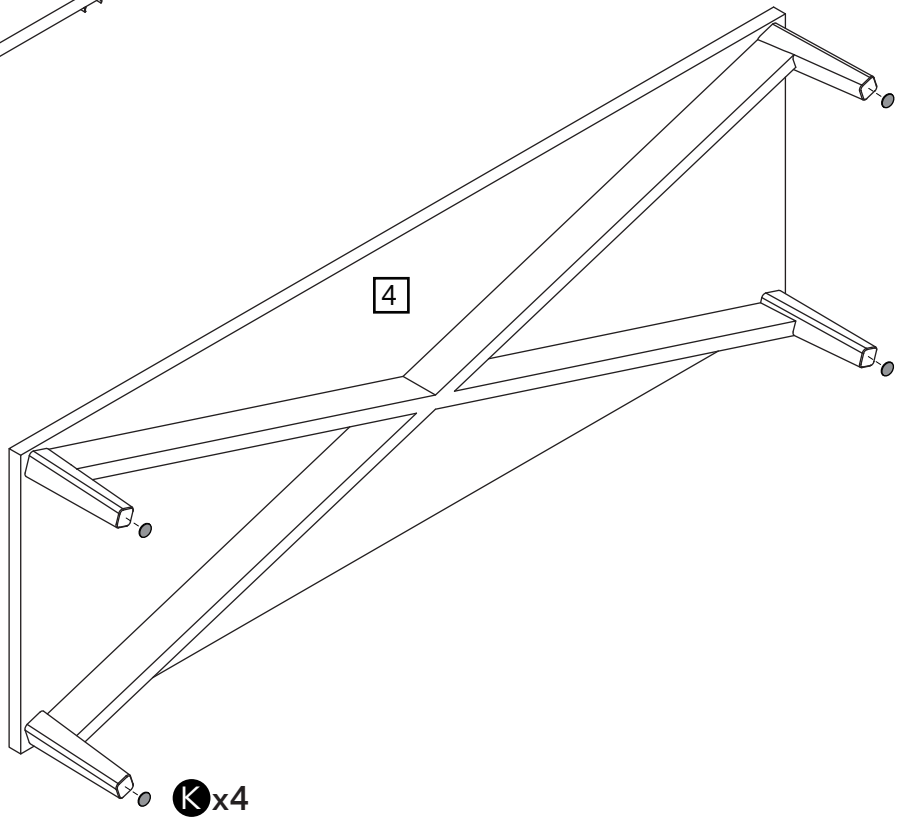
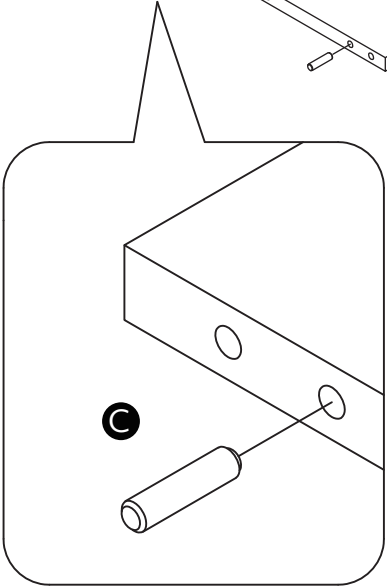
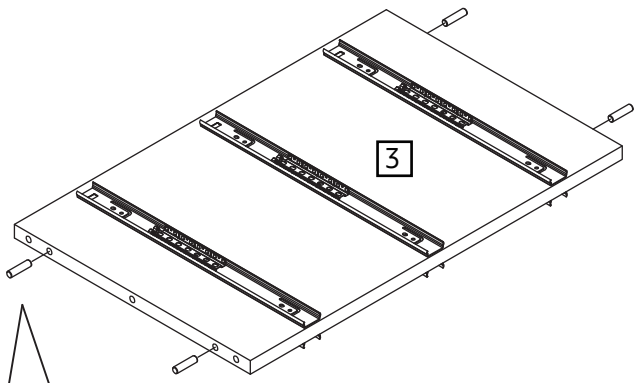
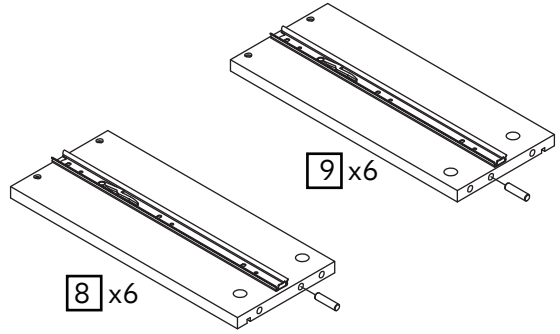
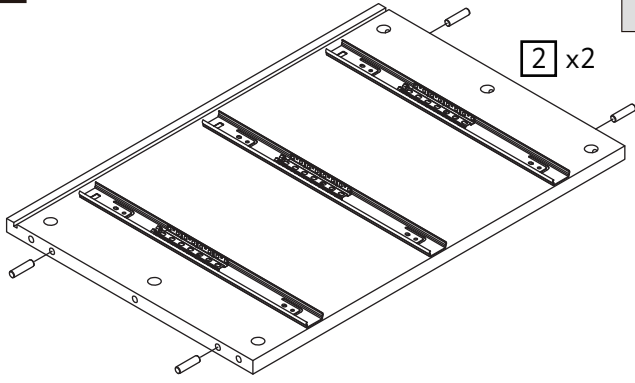
 <b>A</b> 32mm Metal Dowel x42	 <b>G</b> 16mm Screw x2	 <b>H</b> Wall Connector x2
---	---	--



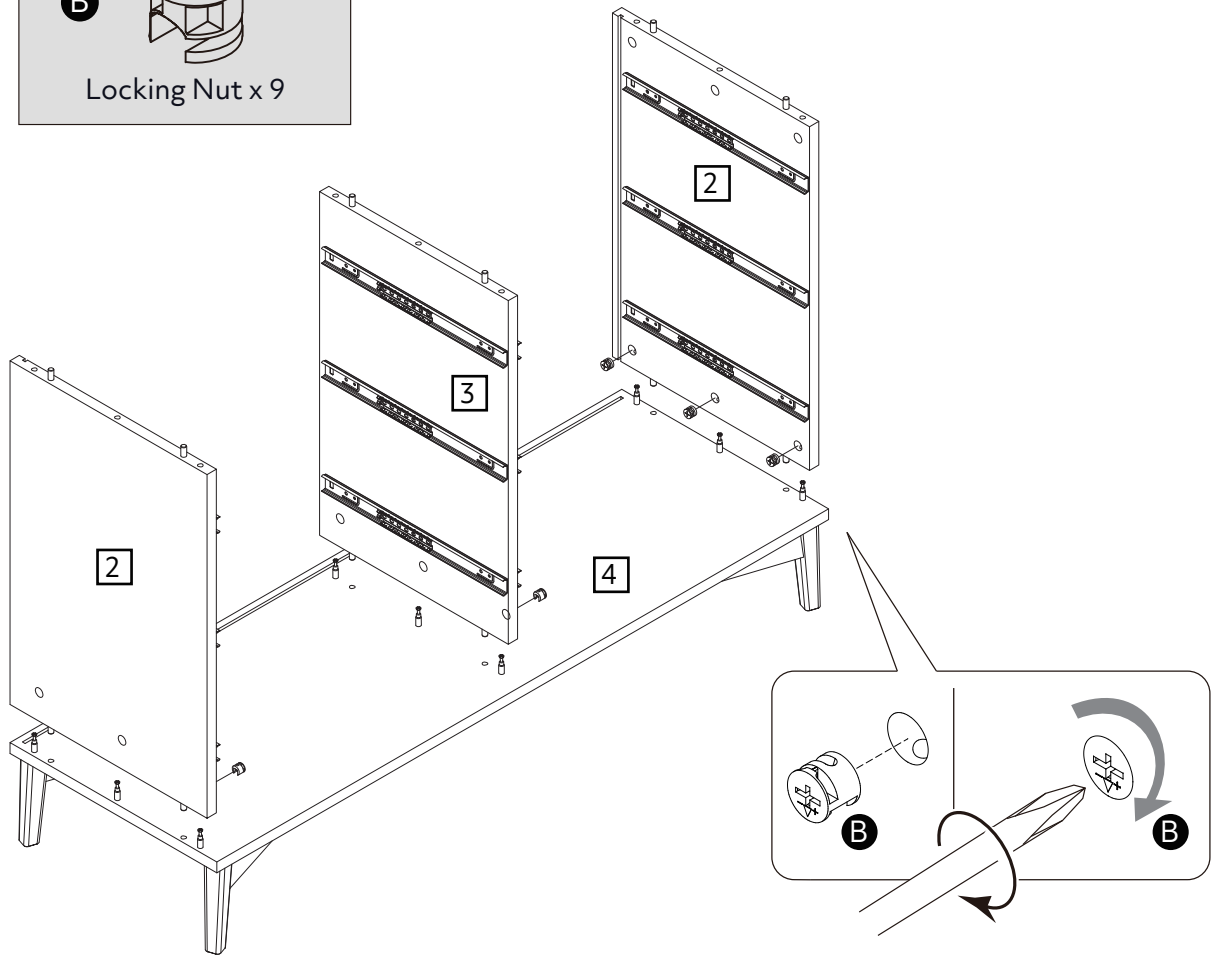
 <b>A</b> 32mm Metal Dowel x42	 <b>B</b> Locking Nut x42	 <b>C</b> 30mm Wooden Dowel x24
 <b>D</b> 35mm Screw x24	 <b>E</b> 30mm Screw x6	 <b>F</b> 16mm Screw x6
 <b>G</b> 16mm Screw x2	 <b>H</b> Wall Connector x2	 <b>I</b> 25mm Handle x6
 <b>J</b> Plastic Cleat x6	 <b>K</b> Ø15mm Foot Pad x4	

# 2

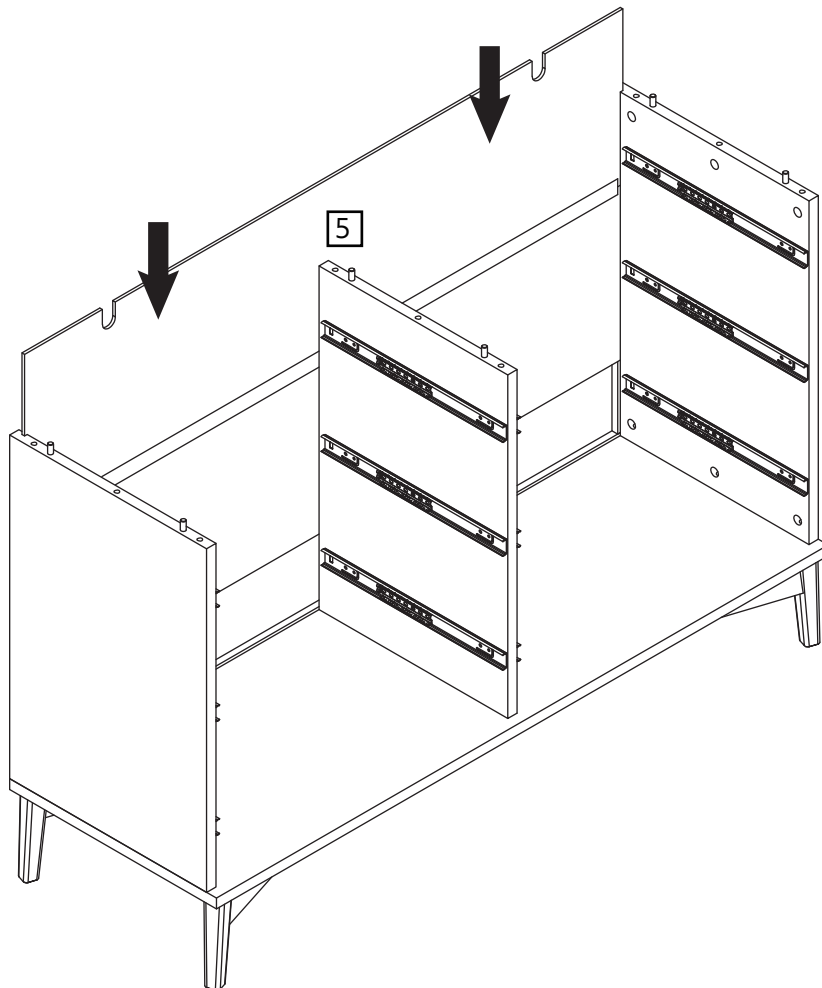
**C**  **K**   
30mm Wooden Dowel x 24      Ø15mm Foot Pad x 4



# 3

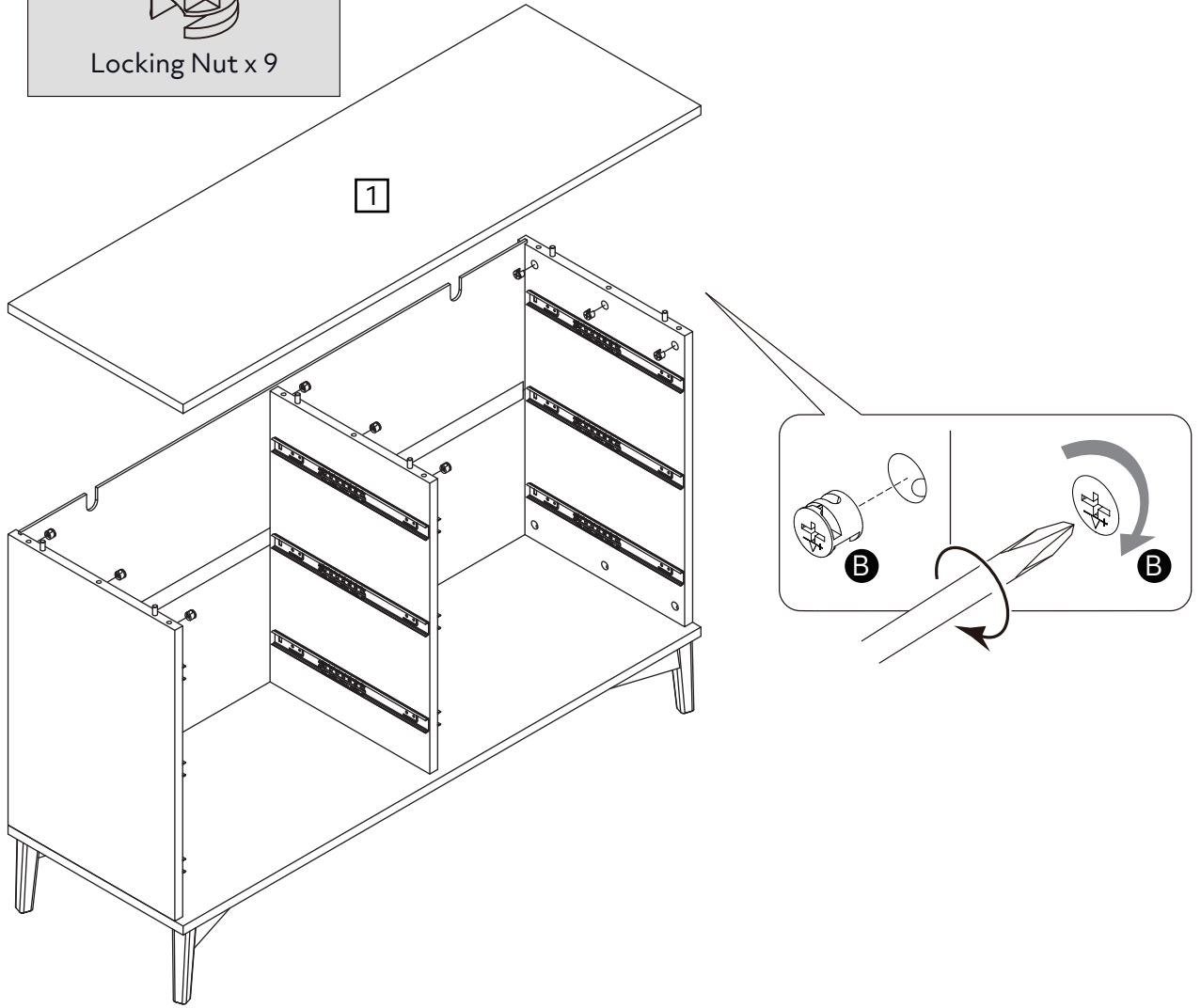


# 4

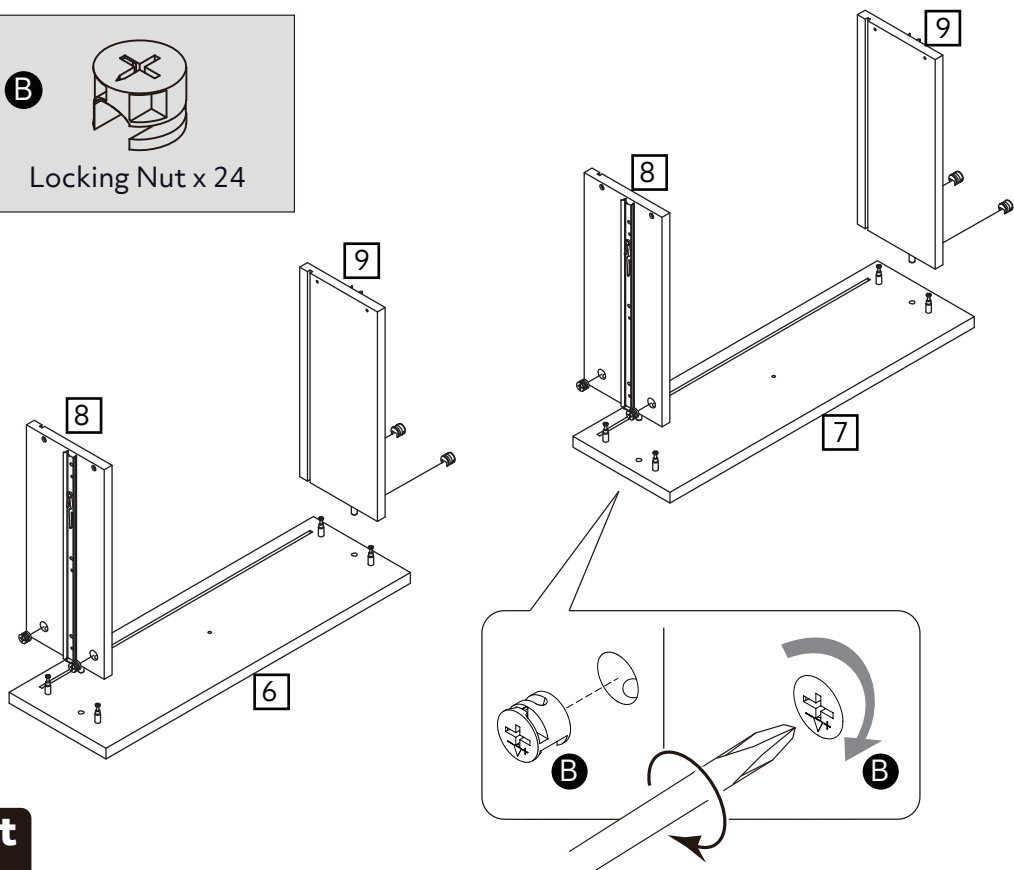




# 5

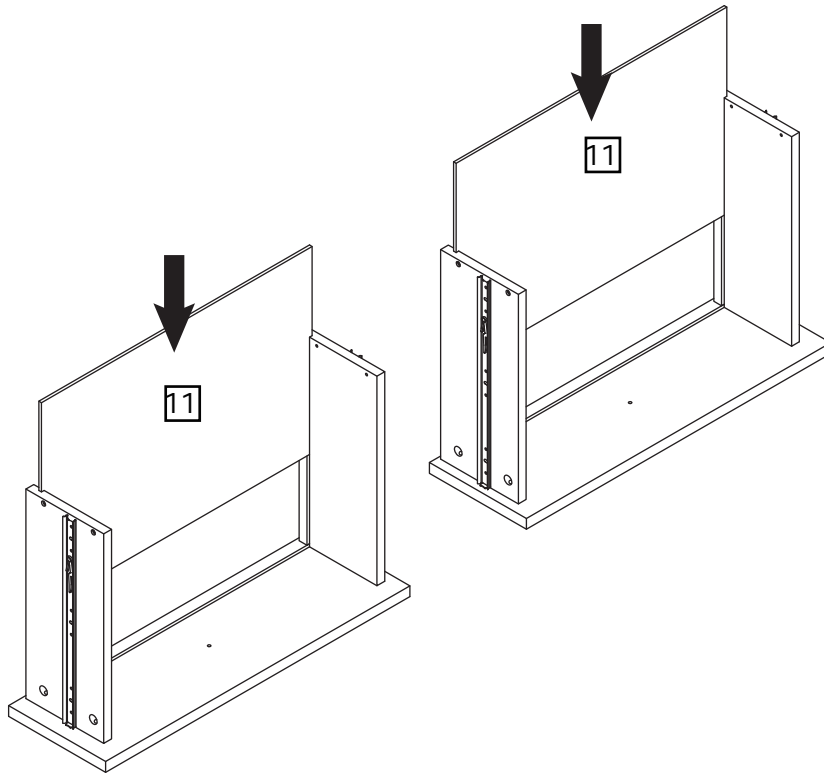


# 6



 Repeat x3

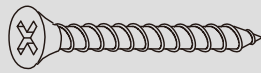
# 7



 Repeat  
x3

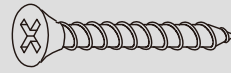
# 8

**D**



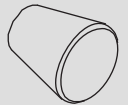
35mm Screw x24

**E**

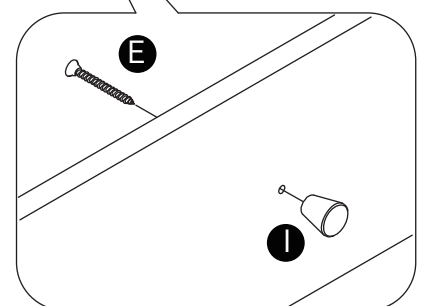
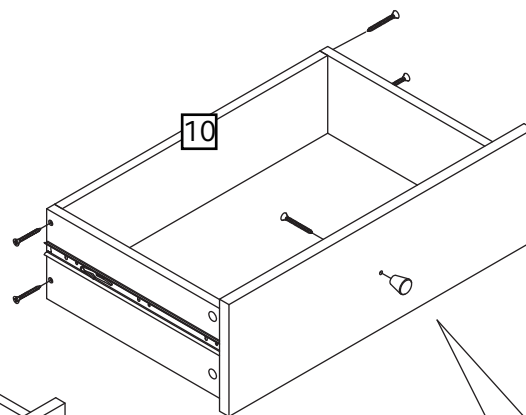
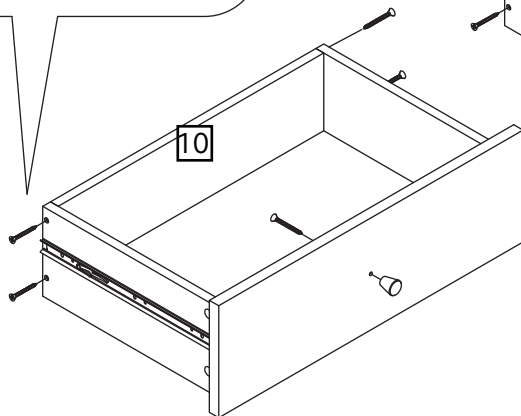
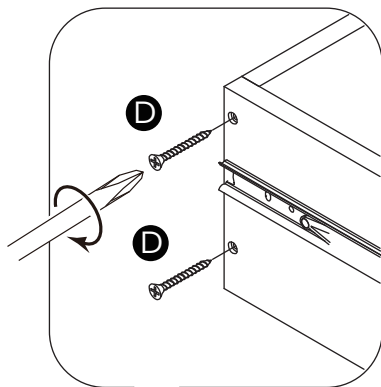


30mm Screw x6

**I**

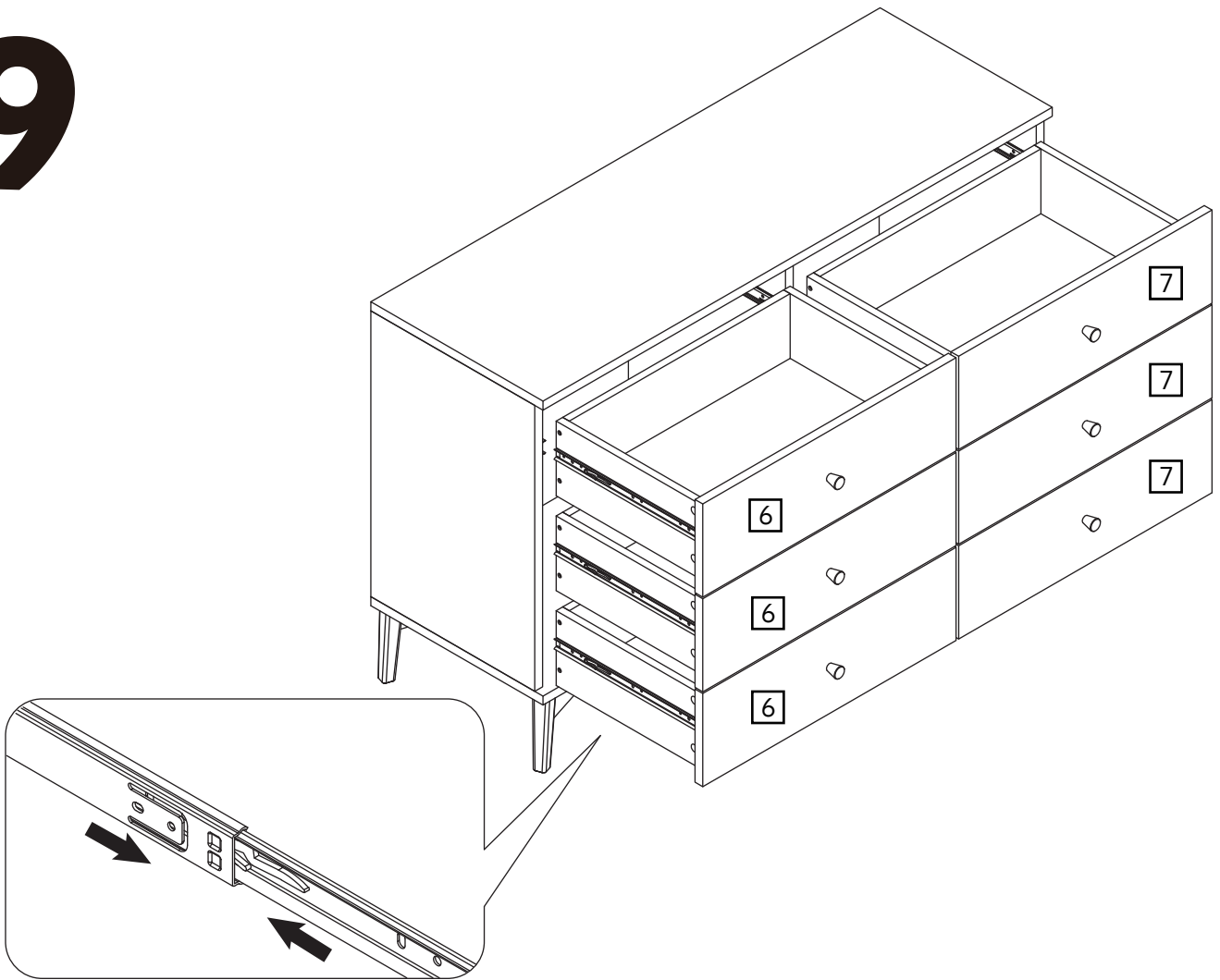


25mm Handle x6

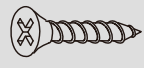



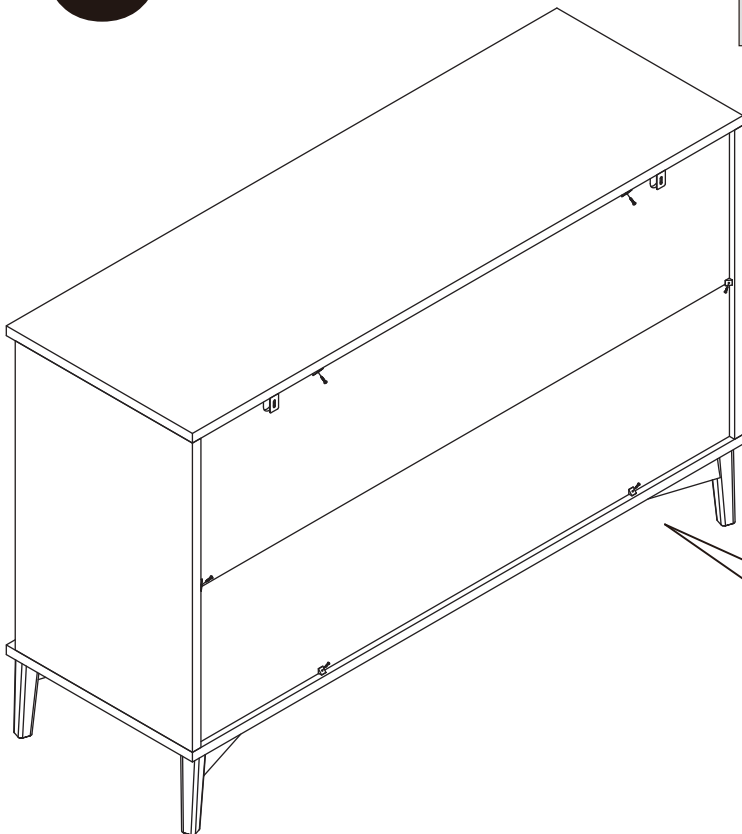
 Repeat  
x3

# 9



# 10

<b>F</b>		<b>J</b>	
16mm Screw x 6		Plastic Cleat x 6	



# 11



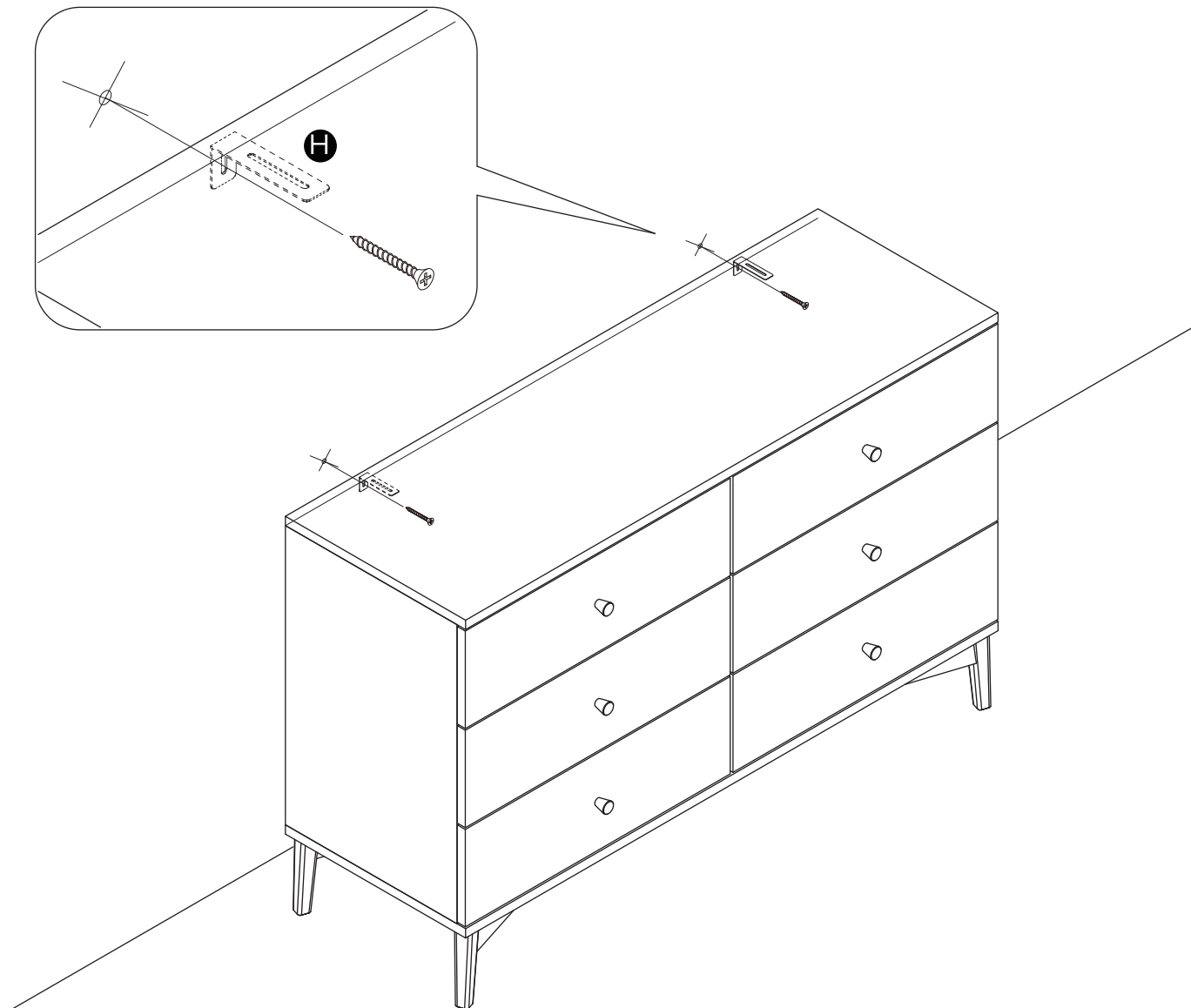
## WARNING!

In order to prevent overturning this product must be used with the wall attachment device provided. Serious or fatal crushing injuries can occur from furniture tipping over. To help prevent topple over :-

- Use the wall attachment devices provided
- Never allow children to climb or hang on drawers
- Do not overload the drawer beyond maximum recommended loading.
- Place heaviest items in the lower drawers or shelves.
- Unless specifically designed to accommodate, do not set TV's or other heavy objects on top of this product
- Never open more than one drawer at a time

An attachment device is provided with your product, however you will need to source suitable fixings for your wall type. If in doubt consult a qualified trades person.

Always ensure that the wall to be drilled into is free from hidden electrical wires, water and gas pipes.



# 12



Assembly is complete.

# A Guide to - Wall Mounting & Fixings

## Important note:

### Wall Fixings:



- because of the variety of different wall types, Habitat cannot provide you with the exact fixings you will need to fix this product to the wall.


You must first identify the type of wall you intend to fix product onto and then contact your local hardware store to get the appropriate fixings.



**Important:** When drilling into walls always check that there are no hidden wires or pipes etc.

Make sure that the screws and wall plugs being used are suitable for supporting your unit. Consult a qualified tradesperson if you are unsure.

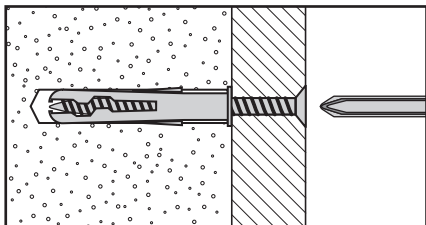
### Hints:

- 1: General rule:**  Always use a larger screw and wall plug if you are not sure.
- 2:** Ensure you use the recommended drill bit to match the wall plug and hole size.
- 3:** Ensure you drill the hole horizontally, do not force the drill or enlarge the hole.
- 4:** Take extra care when drilling high walls, ceilings and ceramic tiles. Ensure wall plugs are inserted beyond the thickness of the ceramic tiles to avoid the tiles splitting or cracking.
- 5:** Ensure wall plugs are well fitted and are a tight fit in the drilled hole.

## Types of walls

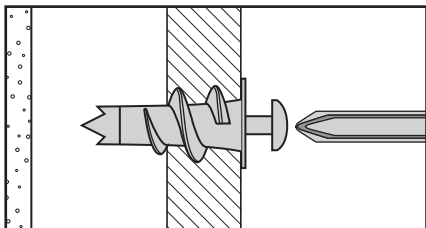
You can use one of the following types of wall plug if your walls are made of brick, breeze block, concrete, stone or wood.

### No.1 "General Purpose" wall plug



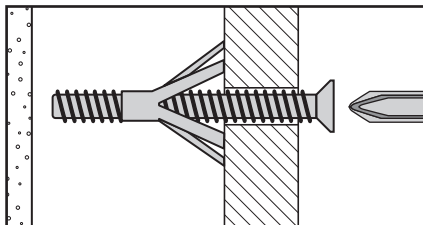
Generally aerated blocks should not be used to support heavy loads, use a specialist fitting in this case. For light loads, general purpose wall plugs can be used.

### No.2 "Plasterboard" wall plug



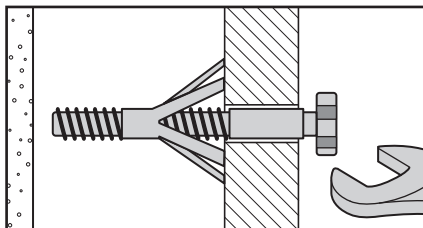
For use when attaching light loads on to plasterboard partitions.

### No.3 "Cavity Fixing" wall plug



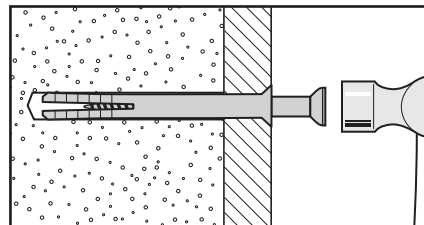
For use with plasterboard partitions or hollow wooden doors.

### No.4 "Cavity Fixing-Heavy Duty" wall plug



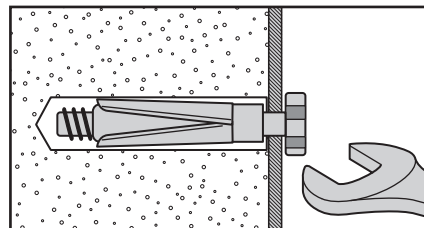
For use when fitting or supporting heavy loads such as shelving, wall cabinets and coat racks.

### No.5 "Hammer Fixing" wall plug



For use with walls stuck with plasterboard. The hammer fixing allows it to be fixed to the wall rather than the plasterboard. Always check the fixing is secure to the retaining wall.

### No.6 "Shield Anchor" wall plug Heavy loads



For use with heavier loads such as TV & HiFi speakers and satellite dishes etc.



## Care & Maintenance

**Safety:** Always check the fitting and location to ensure your safety in and around the home.

**Fitting:** From time to time check the fitting to ensure the wall plugs or screws do not become loose.