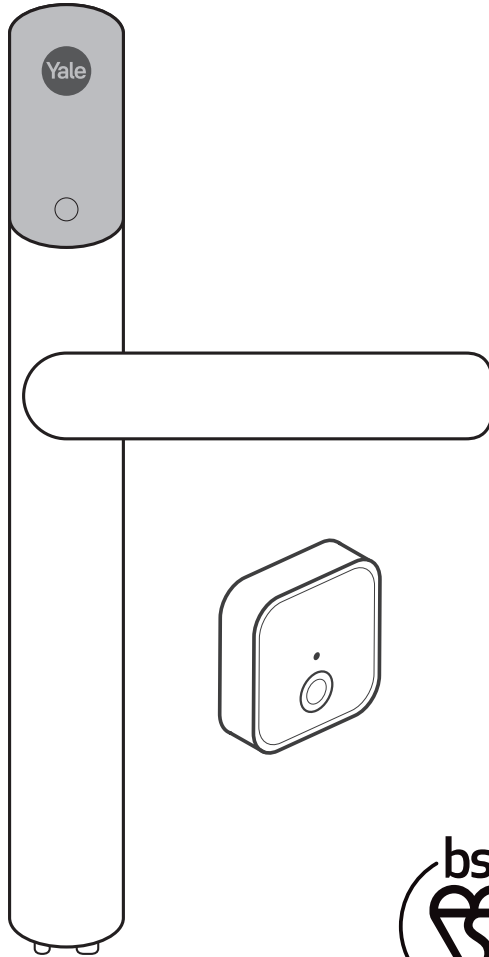




Conexis® L2 Smart Lock User Manual



KM 735817

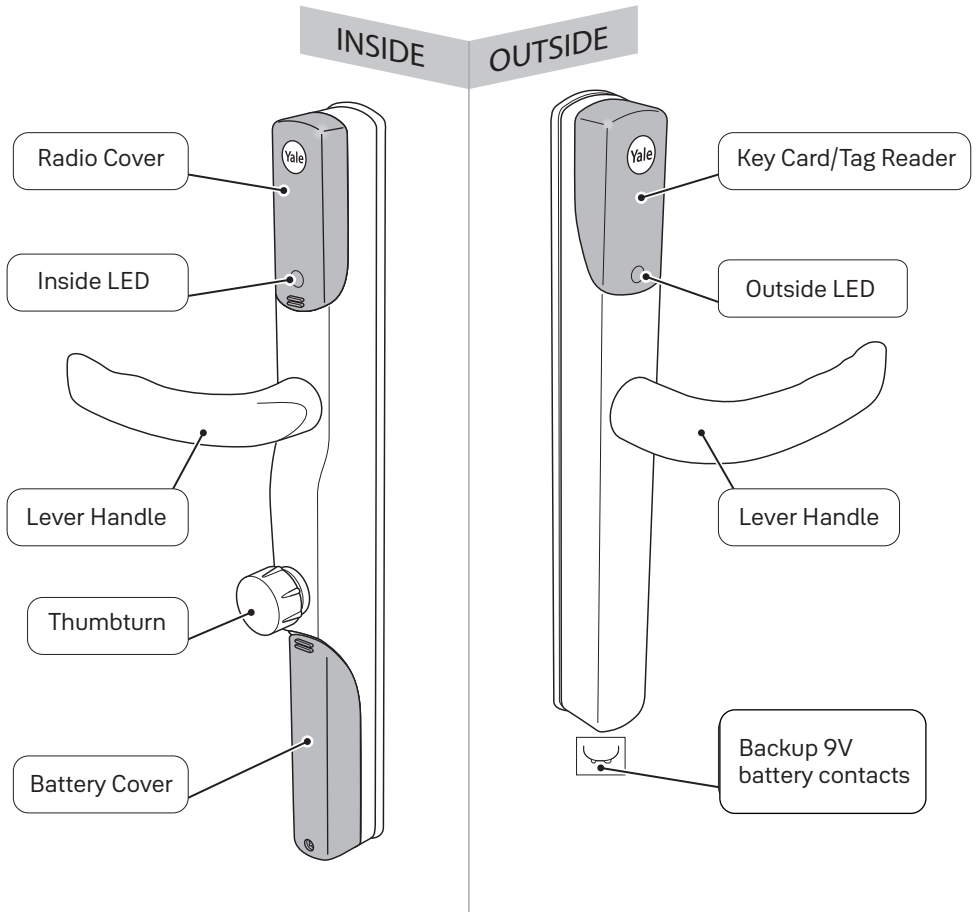
Introduction

Contents

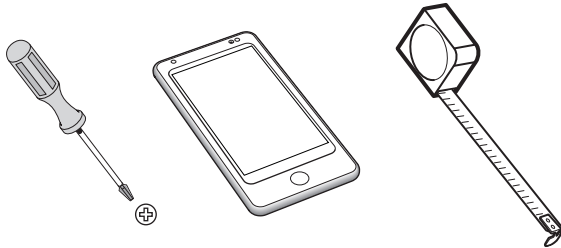
Conexis® L2 Smart Lock Product Overview	3
Inside The Box	4
Removing existing handle & cylinder	6
Measuring Your Door	7
Installing The Actuator	8
Installing Handles	9
Handing The Lock	15
Installing the Yale Access Module and Connect Wi-Fi Bridge	16
How to Pair a key card / tag	17
Locking the Conexis® L2 Smart Lock	18
Unlocking with Key Card or Key Tag	19
Installation Checklist	20
Battery Indicator	21
Factory Reset	22

Hereby, ASSA ABLOY Ltd declares that the Conexis® L2 Smart Lock is in compliance with Directive 2014/53/EU. The full text of the EU declaration of conformity is available at the following internet address: <https://yalehome.co.uk/declarations-of-conformity>

Conexis® L2 Smart Lock Product Overview

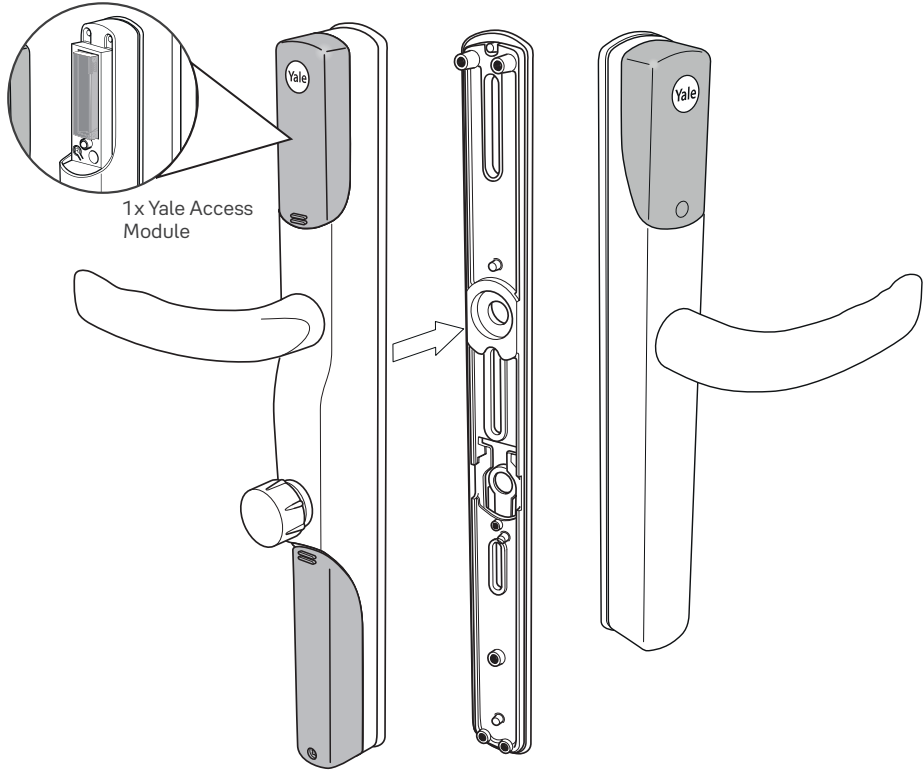


Tools Required*



*Additional tools may be required to remove your existing handles

Inside The Box



1x Yale Connect
Wi-Fi Bridge



1x DoorSense™



1x Key Tag



1x Manual



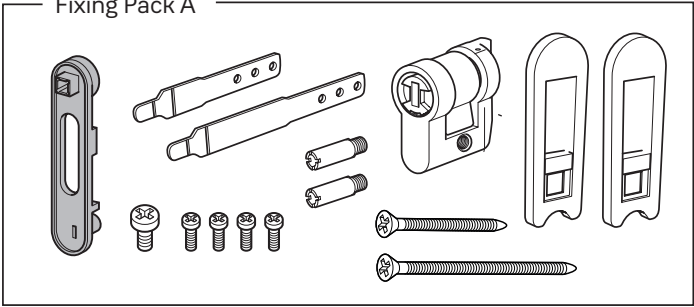
1x DoorSense™
Cover



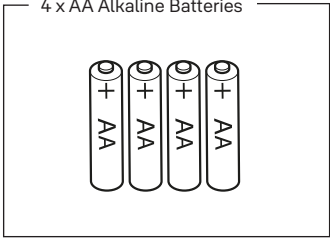
1x
Key Card

Inside The Box

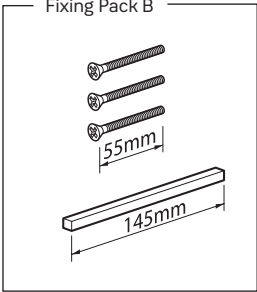
Fixing Pack A



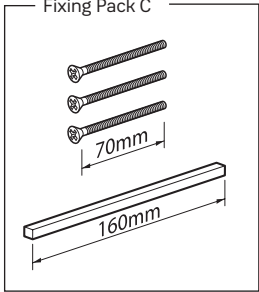
4 x AA Alkaline Batteries



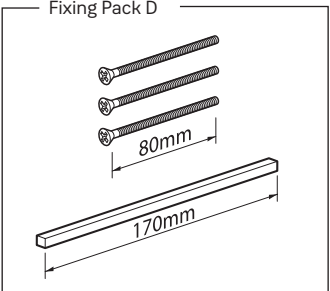
Fixing Pack B



Fixing Pack C

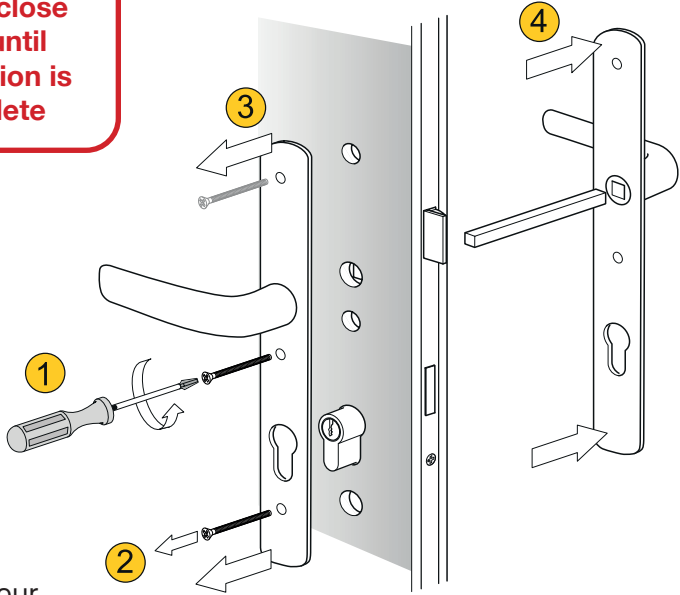


Fixing Pack D

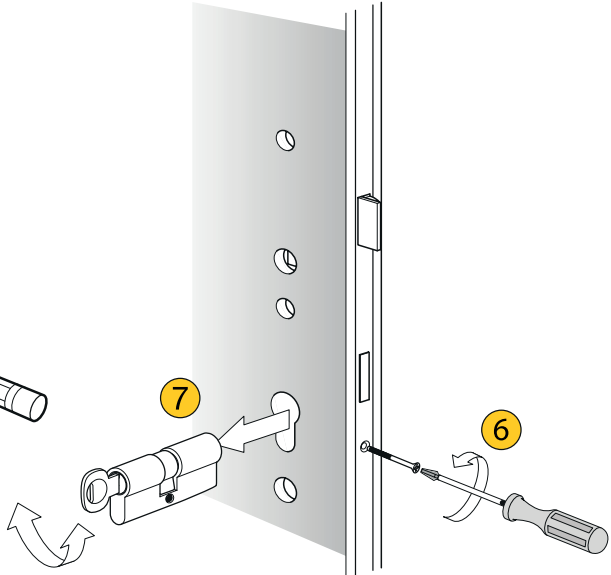
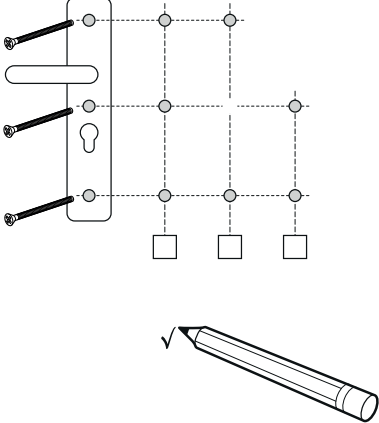


Removing Existing Handle And Cylinder

 **Do not close door until installation is complete**



5 Make note of your current fixing screw positions



Measuring Your Door

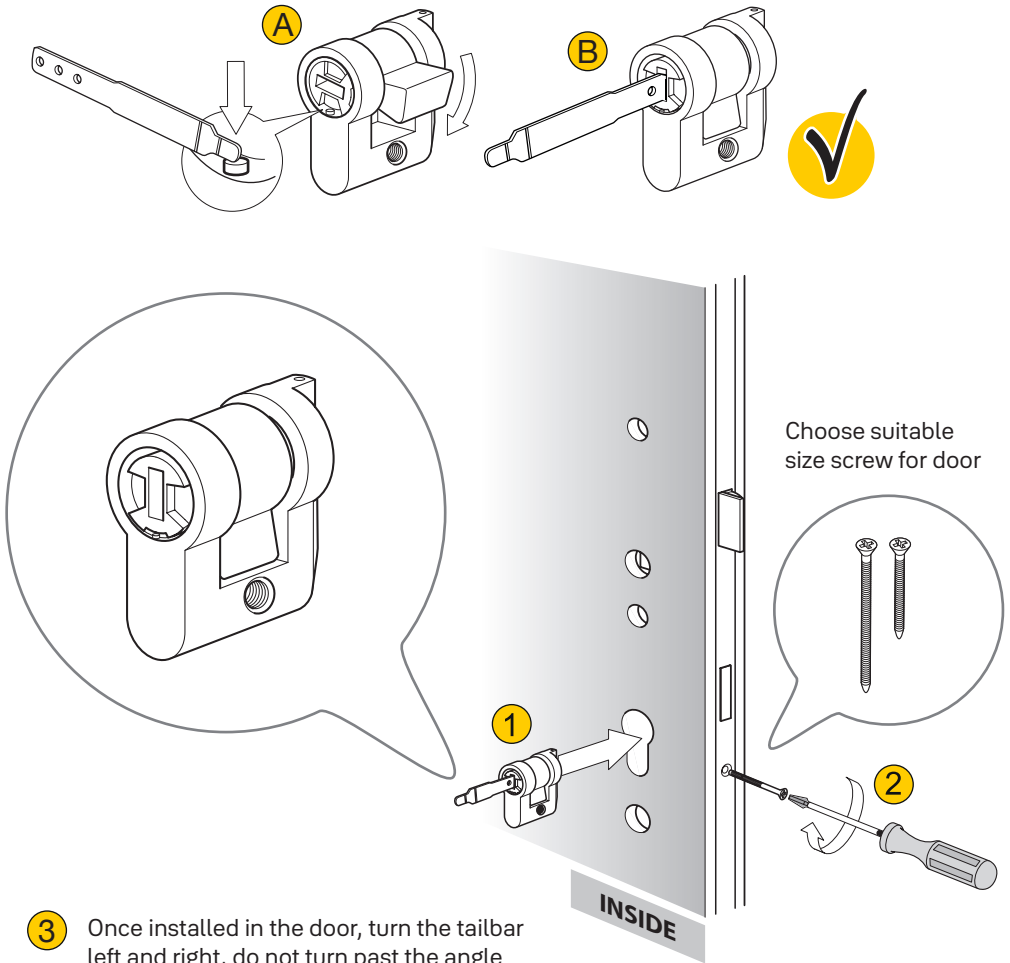
1 Measure the thickness of the door to select the correct fixing pack

Fixing Pack B	Fixing Pack C	Fixing Pack D
Door thickness 44-50mm	Door thickness 58-65mm	Door thickness 70mm

2 Measure the distance between the centre of the lock and the inside of the door to select the correct tailbar

21mm - 26mm	Short Tailbar	
26mm - 31mm		
31mm - 36mm		
36mm - 41mm	Long Tailbar	
41mm - 46mm		
46mm - 51mm		

Installing The Actuator

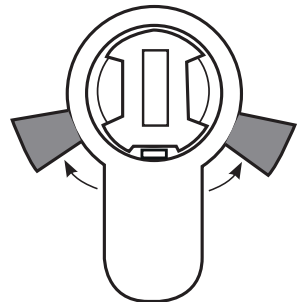


- 3 Once installed in the door, turn the tailbar left and right, do not turn past the angle shown on the diagram or the pin will pop up again & you will have to reset it. Does it move freely?

Yes, if it moves freely, please proceed

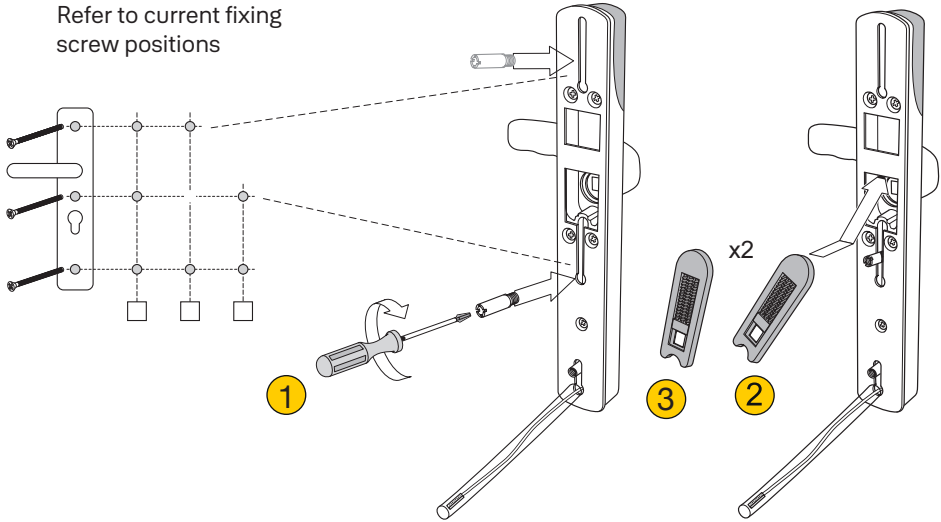
No, remove the actuator from door and realign until it moves freely

Tip: You may need to reset the actuator so that the tailbar is in the vertical position before continuing

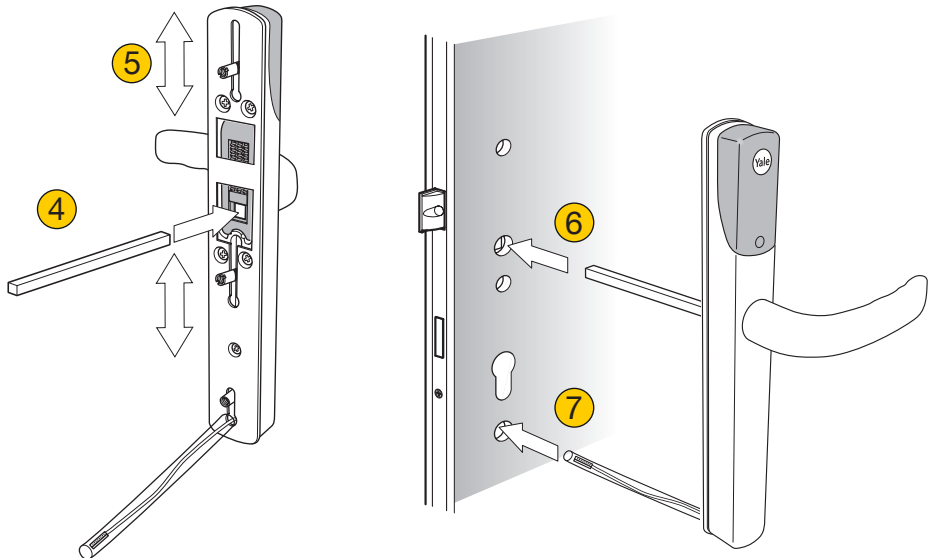


Installing External Handle


Refer to current fixing
screw positions

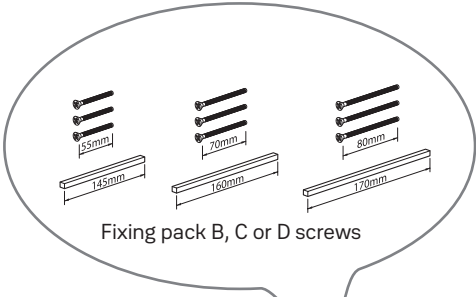


You may need to screw in an additional lug from fixing pack A

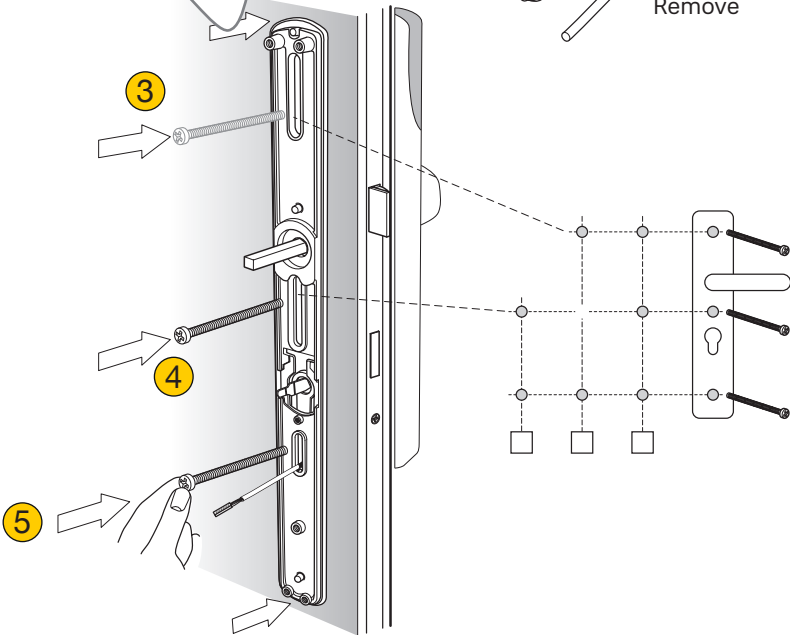
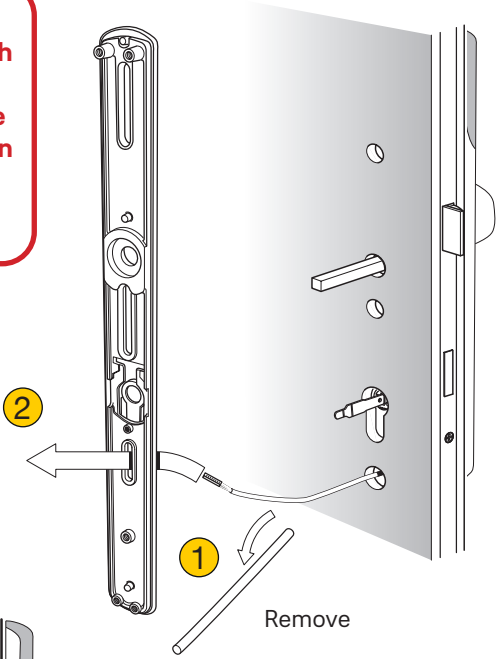


Installing Internal Fixing Plate

 **Ensure correct fixing pack is used for width of door. Do not fully tighten as the handle needs to be aligned in the next step**

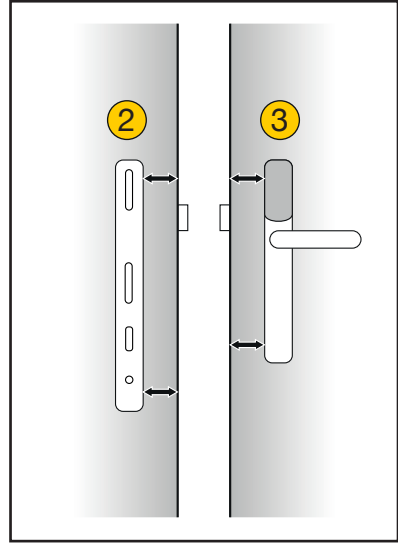
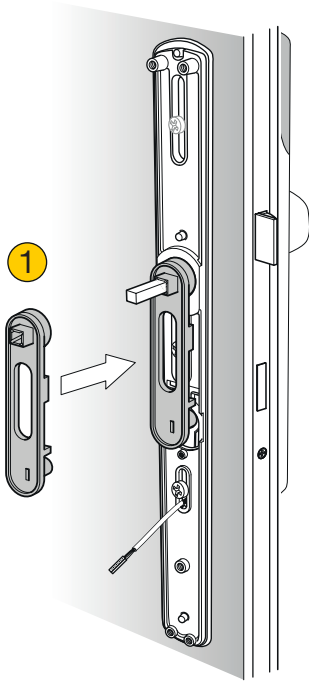


Fixing pack B, C or D screws

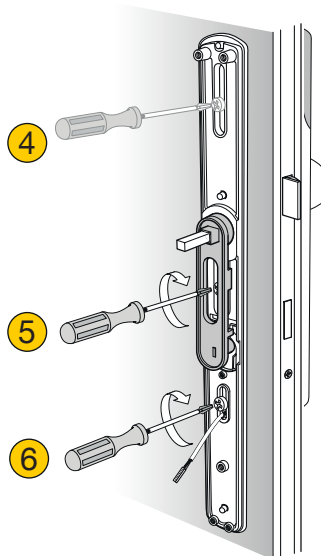


Aligning Handle

Ensure exterior handle and fixing plate are parallel before finally tightening screws

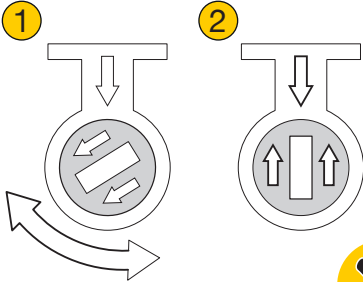
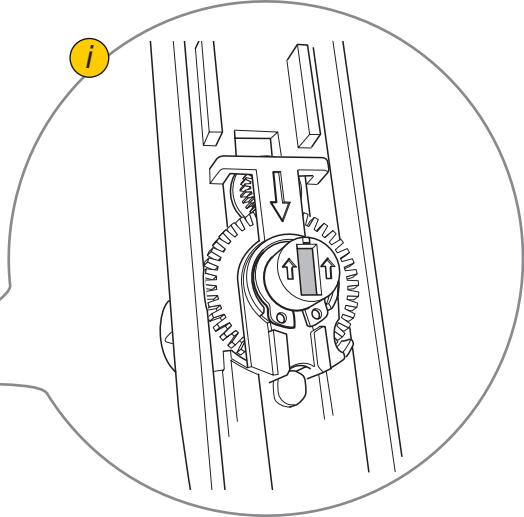
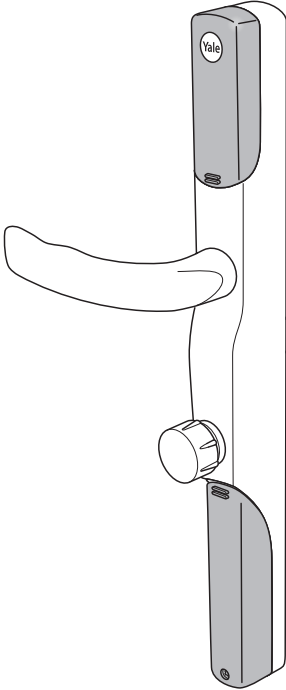


Please ensure the alignment tool is flat against the door as screws are tightened. This ensures the motor is aligned correctly



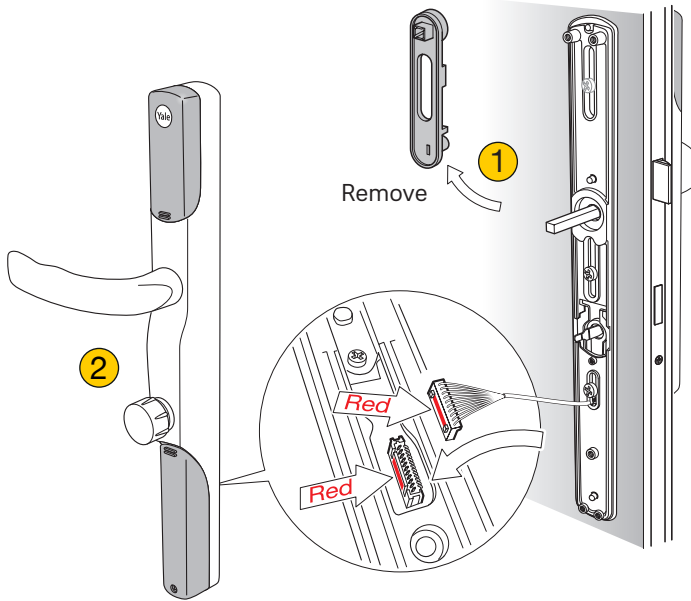
Installing Internal Handle

 **Do not turn thumbturn until installation is complete**

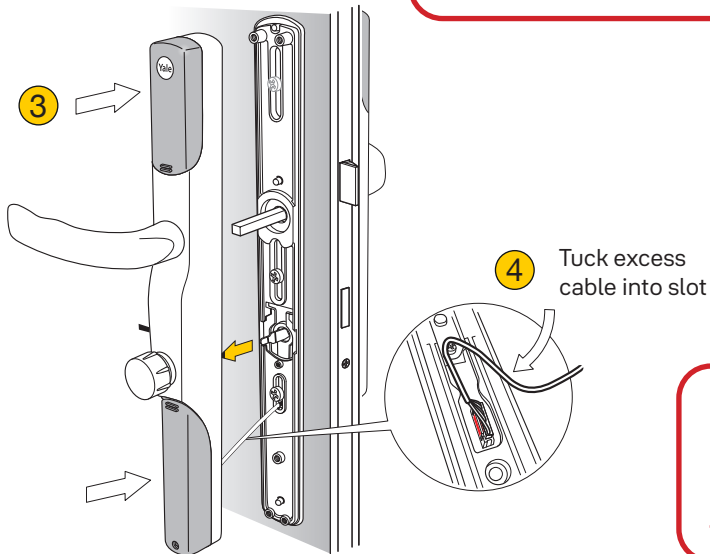


Turn until arrows are facing each other

Installing Internal Handle

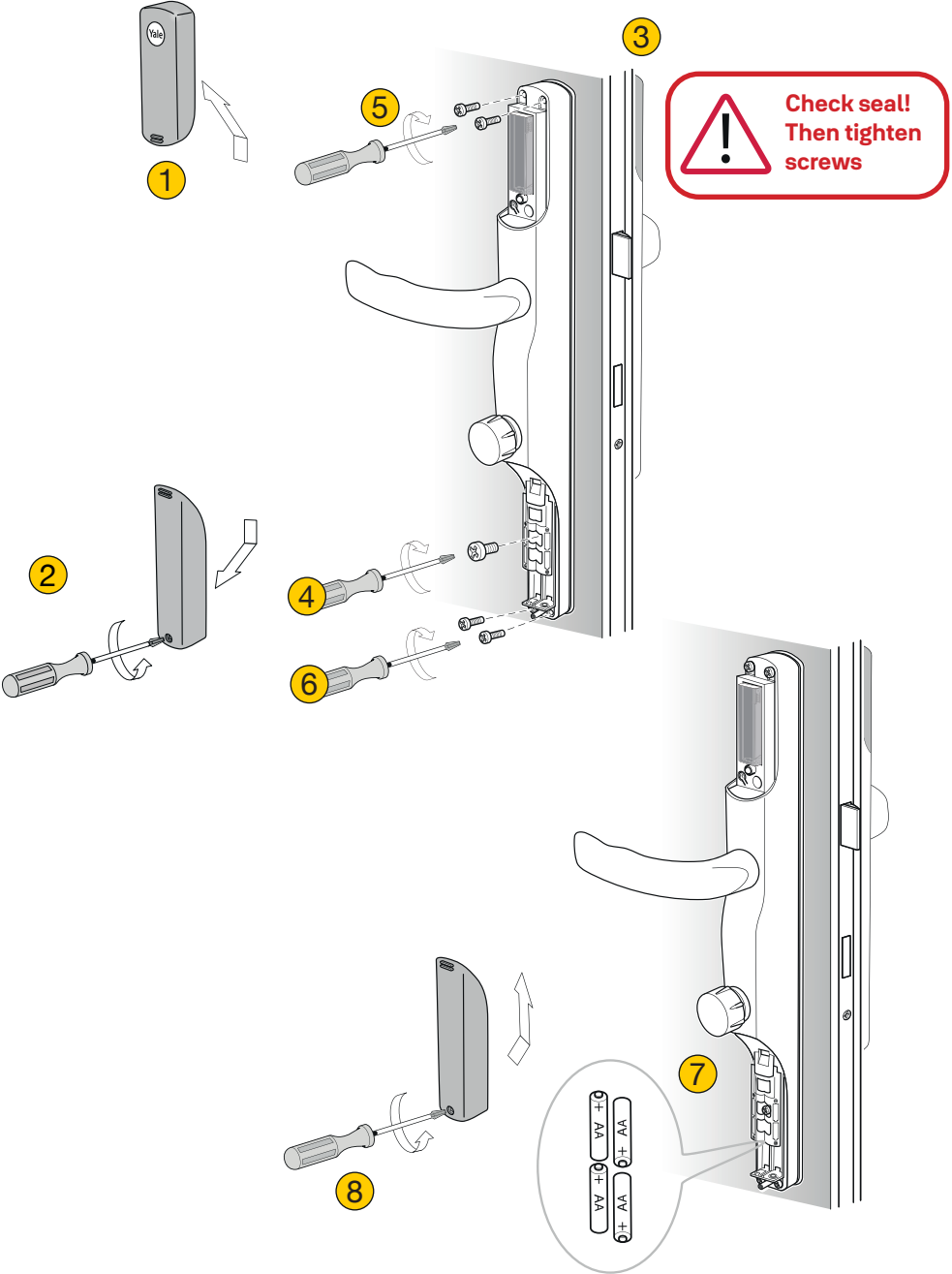


Take care when removing cable if adjustments are needed



Do not trap cable!

Installing Internal Handle



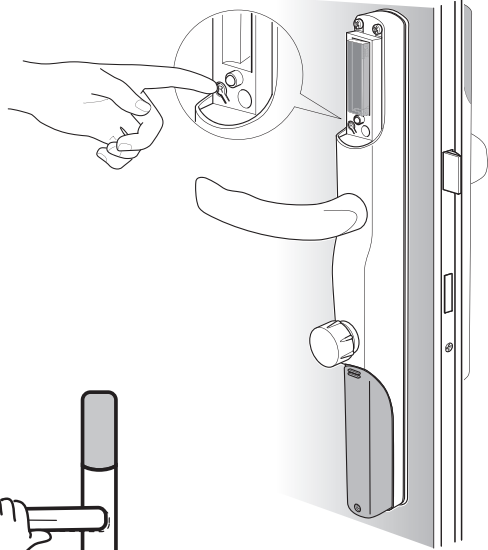
Handing The Lock



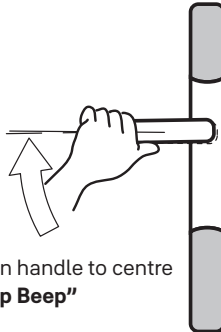
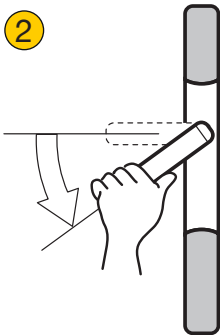
If these steps are not completed the door will not lock.
If the lock sounds like it is struggling to lock, check actuator installation shown on page 8

Hold 'R' Button for 15sec until
"Beep Beep"

1

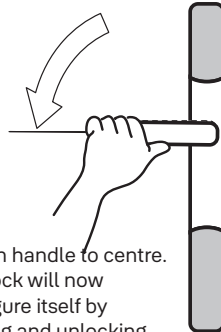
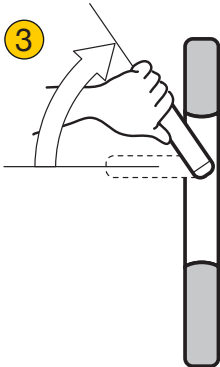


2



Return handle to centre
"Beep Beep"

3



Return handle to centre.
The lock will now
configure itself by
locking and unlocking.
"Beep Beep Beep"



If after completing
this step you get
8 related beeps
and a red light, this
indicates there is an
issue with alignment.
To fix this please
uninstall the unit &
go back to page 8

Yale Access Module & Yale Connect Wi-Fi Bridge Set-up Guide

1) Download the Yale Home App from the Google Play Store or the Apple App store and follow the on-screen instructions to create your Yale Home account.



Yale Home

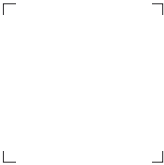


2) To set up a device - When prompted, please scan the QR code which can be found on the back of the Yale Access Module, which is located underneath the top cover of the inside handle, or below and follow the in-app instructions.
Please Note: Bluetooth must be enabled on your mobile device prior to set-up.



The Yale Home App will guide you through the set up of your Yale Access Module and Connect Wi-Fi Bridge, as well as showing you how to add and remove Keycards and tags.

If you have any questions, please contact us at <https://yalehome.co.uk/support>

Google Play and the Google Play logo are trademarks of Google LCC
Apple, the Apple logo, iPhone, are trademarks of Apple Inc., registered in the U.S. and other countries and regions. App Store is a service mark of Apple Inc.

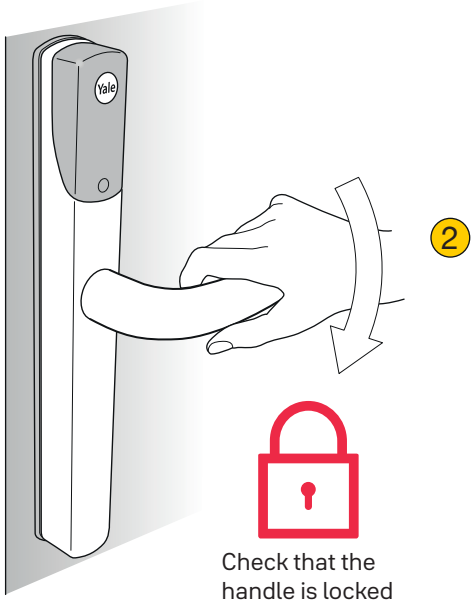
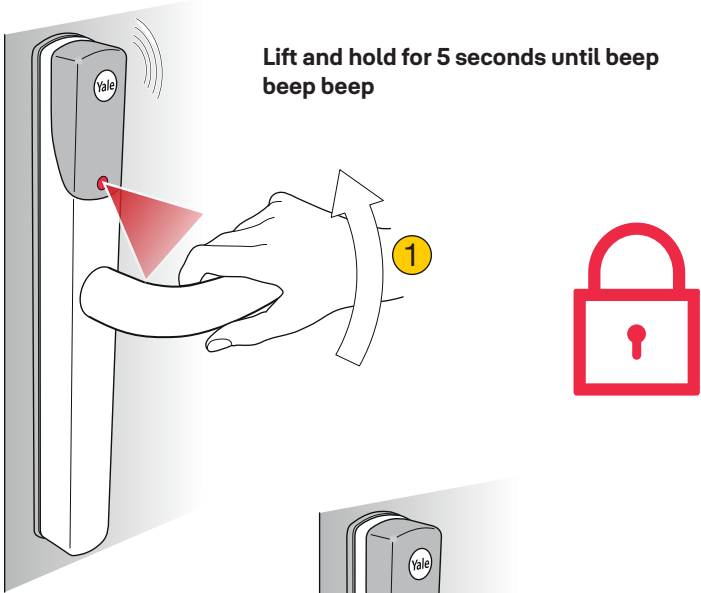


Pairing Key cards / tags

1. Once the Yale Home App has downloaded, open the App
2. Open the Guest List using  the icon on the bottom bar. Tap  Invite then select Contactless Key Only.
3. Enter the name of person to whom the key will be registered, then press continue.
4. Select which lock will be operated by this contactless key, then press continue.
5. The app will then try to connect to the lock. To do this successfully, stand near the lock with your phone and ensure Bluetooth is turned on. Press continue button when it turns blue.
6. Ensure you have the contactless key you want to register to hand, then press continue.
7. Tap the key on the front of the lock. When it has been successfully registered with the lock, press Finish.
8. You should now be able to see the person/key listed in your Guest List. Note: You cannot set access schedules for contactless keys. If a user has a contactless key, they will have access all the time.
9. You can also remove a user or unregister a contactless key by tapping the user/key you want to amend and follow the instructions in the app.

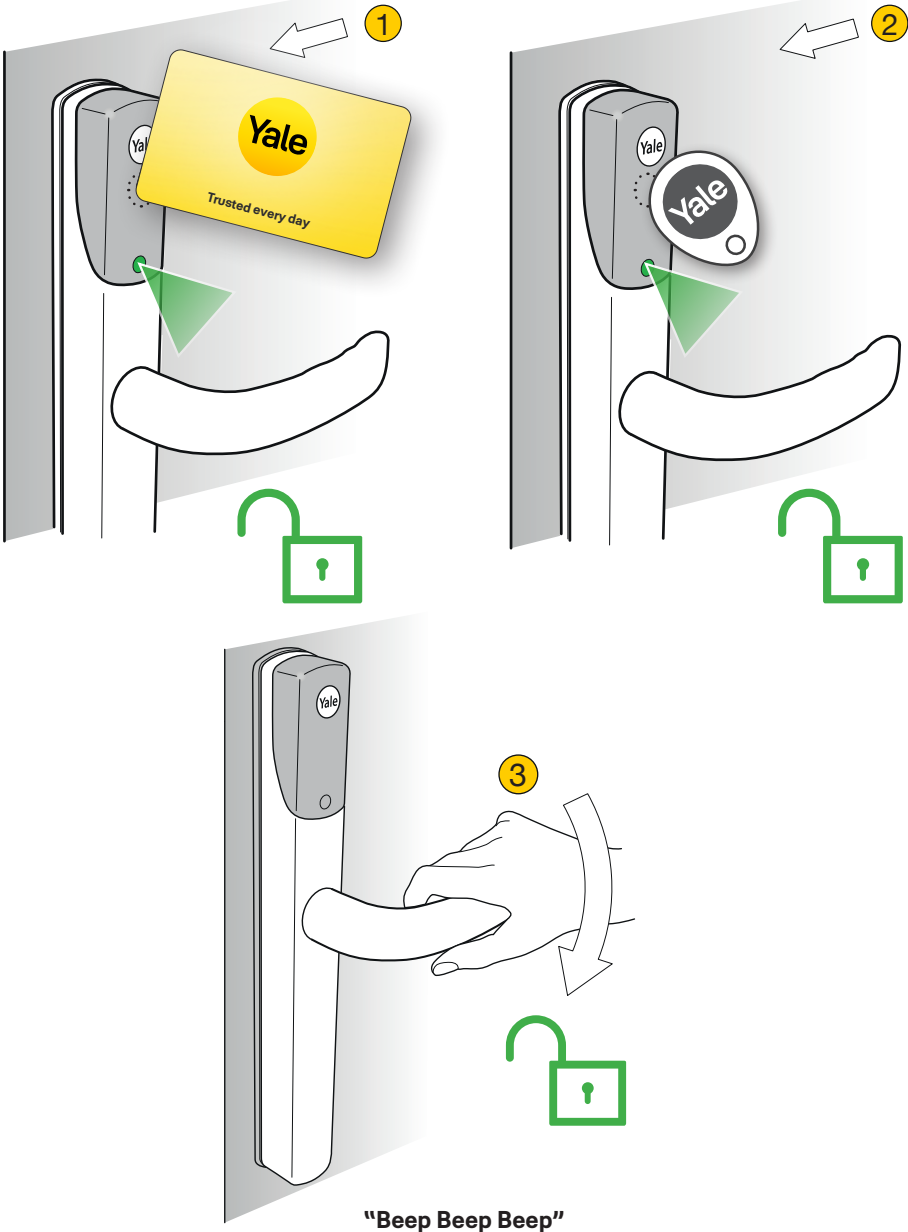
Locking the Conexis® L2 Smart Lock

 Please make sure your door remains open



Unlocking with Key Card or Key Tag*

*This process should be done after the Yale Access Module has been set up using the Yale Home App and the key cards / tags have been registered to the lock



Installation Checklist

Before shutting your door in the frame, please test the following things...

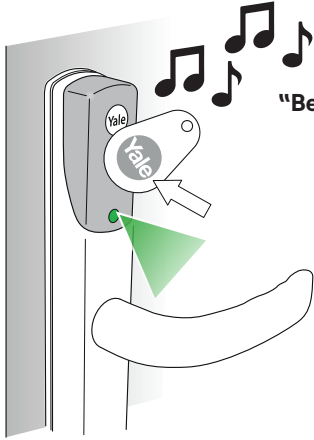
- 1 Download Yale Home App
- 2 Ensure Yale Access Module and Connect Wi-Fi Bridge are correctly set up
- 3 Ensure you can see your Conexis® L2 Smart Lock in your Yale Home App. Test you can lock and unlock the door via the app
- 4 While the door is open, lift the lever handle to lock. Make sure the motor operates smoothly
- 5 Test to make sure the lever handle cannot be pushed down
- 6 Push the thumbturn in on the inside handle and turn 180 degrees to unlock the door
- 7 Push the lever handle down and make sure it returns by itself
- 8 Lift the lever handle to lock again
- 9 Follow instructions on the Yale Home App to add more tags / cards and also how to correctly install Doorsense™
- 10 Tap the paired card or tag on the outside handle under the Yale logo. Make sure it unlocks and the lever can be pushed down

Battery Indicator

Low Battery

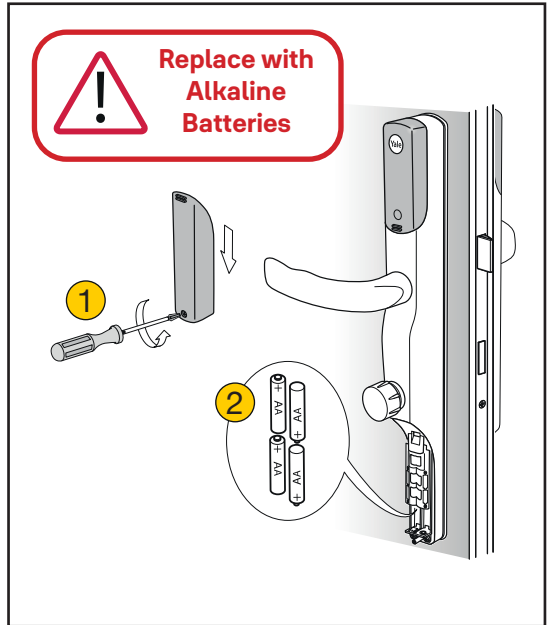
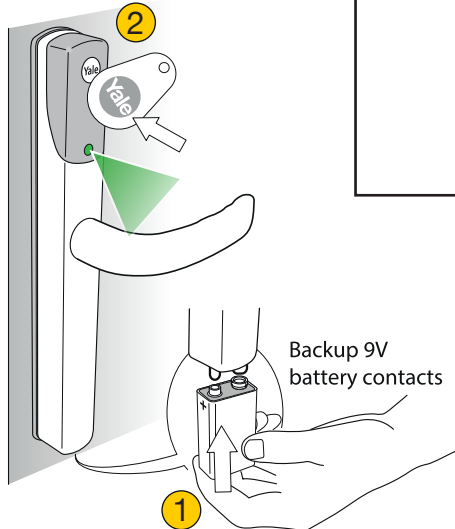


When the battery is low, you will receive a notification in the Yale Home App and via text message



"Beep beep beep, beep beep beep, beep beep beep..."

No Battery

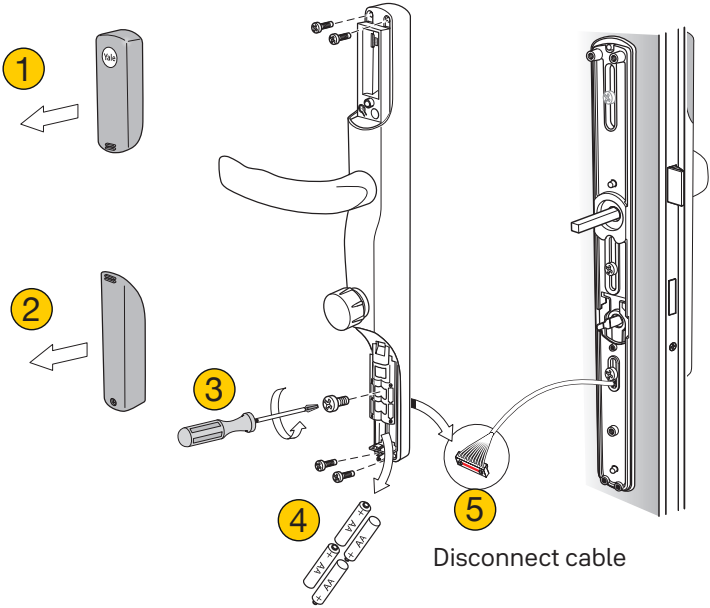


If batteries are depleted you can charge up from the outside with a 9V battery to provide enough power to gain entry and replace internal batteries

Factory Reset



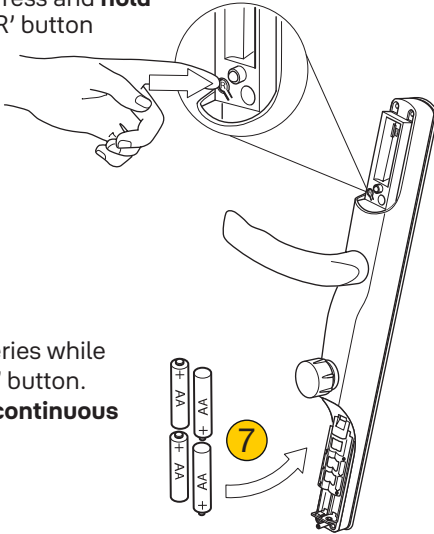
Factory reset the lock in the Yale Home App before you do a factory reset of the escutcheons! This will disconnect any devices, which will require reconnecting after reset.





Do not pull cable.
To prevent damage, pull
at base of connector

6 Press and **hold**
'R' button



Insert batteries while
pressing 'R' button.
Hold until continuous
"beeping"

8 Remove batteries and install following
installation instructions





The 2 year guarantee for this product is active from the date of Purchase.

Issue No. 6A

Part of ASSA ABLOY

Customer Services:

Visit: yalehome.co.uk/help-support
Yale UK, School Street, Willenhall, WV13 3PW

