

## Disclaimer

This guide is for informational purpose only. Working with electricity can be dangerous unless proper safety precautions are taken. If you are not comfortable or are inexperienced with the processes and tools described in this manual, we recommend that you hire a licensed electrician.

## About the Guide

- All the design and software here are subject to change without prior written notice.
- All trademarks and registered trademarks mentioned are the properties of their respective owners.
- Please visit our website or contact your local service engineer for more information.
- If there is any uncertainty or controversy, please refer to our final explanation.

## Installing Camera

### WARNING

#### Risk of electrical shock.

- Be sure to disconnect the power at the fuse or circuit breaker before installation.
- Verify that the supply voltage is correct. Connect fixture to a 100–240VAC 50/60 Hz power source.
- Properly ground fixture.
- Always follow code standards when installing wired connection.
- We strongly suggest that you hire a licensed electrician to install the camera.
- For permanently connected equipment, a readily accessible disconnect device shall be incorporated external to the equipment.
- For pluggable equipment type B or permanently connected equipment, the maximum rating of an overcurrent protective device to be provided external to the equipment is 20A.

#### Risk of fire.

Do not install the camera near combustible or flammable surfaces.

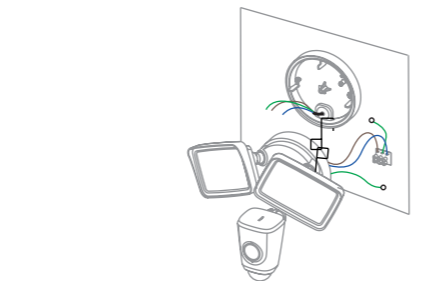
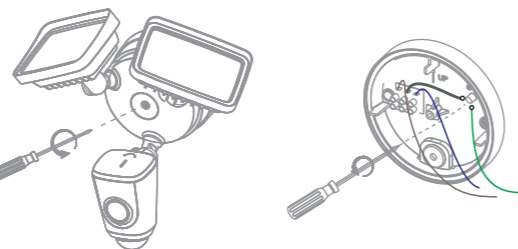
#### Note

- Do not connect this light fixture to a dimmer switch or timer.
- Make sure that the mounting surface is strong enough to hold at least three times of the device weight.

- Step 1**
- Insert drilling template where you want the floodlight camera to be install. Using the drilling template drill the two holes indicated on the template.

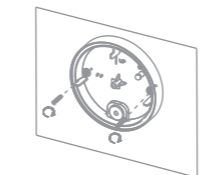
- If there is no holes in the wall, drill two parallel holes on the wall (the distance is 110 mm between the two holes), and then put in the wall plugs.

- Step 2**
- Turn the adjusting knobs to loosen the lights, and adjust the light angles to give space to the mounting screw. Loosen the mounting screw to open the mounting box, and then loosen the screw on the ground terminal to remove the ground wires.



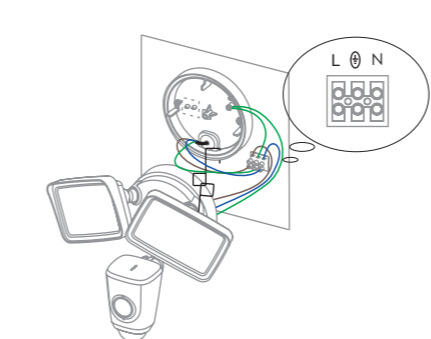
- Step 3**
- Attach the mounting box to the wall with the self-tapping screws as the UP arrow shows.

Note : Before using the self-tapping screws, attach the wall plugs to the self-tapping screws.



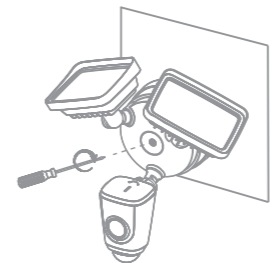
- Step 4**
- Hook one end of the hook into the hole on the mounting box, and the other end to the edge of the camera, so you can free your both hands for the installation.

- Step 5**
- Take out the terminal board from the mounting box. Connect the blue wires (neutral wires) to the terminals N, and the brown wires (live wires) to terminals L, and then the yellow and green strip wire to ground terminal on the board.

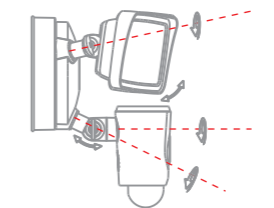


- Step 6**
- Connect the two removed yellow and green striped wire (ground wires) to the ground terminal again, tighten the screw on the ground terminal, and then put back the terminal board with the insulating gasket in the mounting box.

- Step 7**
- Put away all the wires, attach the camera to the mounting box, and fix the camera with mounting screws.



- Step 8**
- Adjust the light and lens angle, and keep the PIR detector parallel to the ground to ensure optimal detection.



## Operating with Yale View app

### Step 1

Power on the camera.

### Step 2

Scan the following QR code or search Yale View app in Google Play or App Store to download and install the Yale View app.

Note If you have installed the app, update it to the latest version.



### Step 3

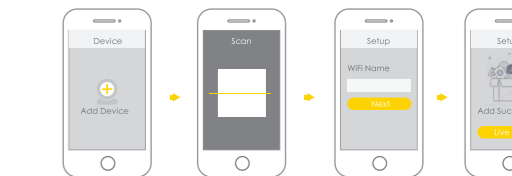
Run the Yale View app, and then register an account for first use.

### Step 4

Wait for booting to be finished, and then the camera indicator flashes with green light.

### Step 5

Connect your smart phone to your Wi-Fi network, and make sure that your smartphone is connected to Wi-Fi network with 2.4 GHz band, and then do the following operations to finish adding camera.



### Note

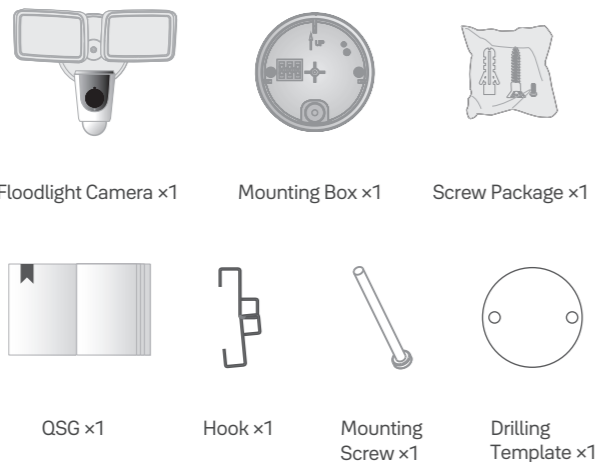
- If you have more than one camera, do step 5 to add them one by one.
- If the Wi-Fi network changed or the indicator status goes wrong, reset the camera, and then do step 5 to add it again.



# Quick Start Guide

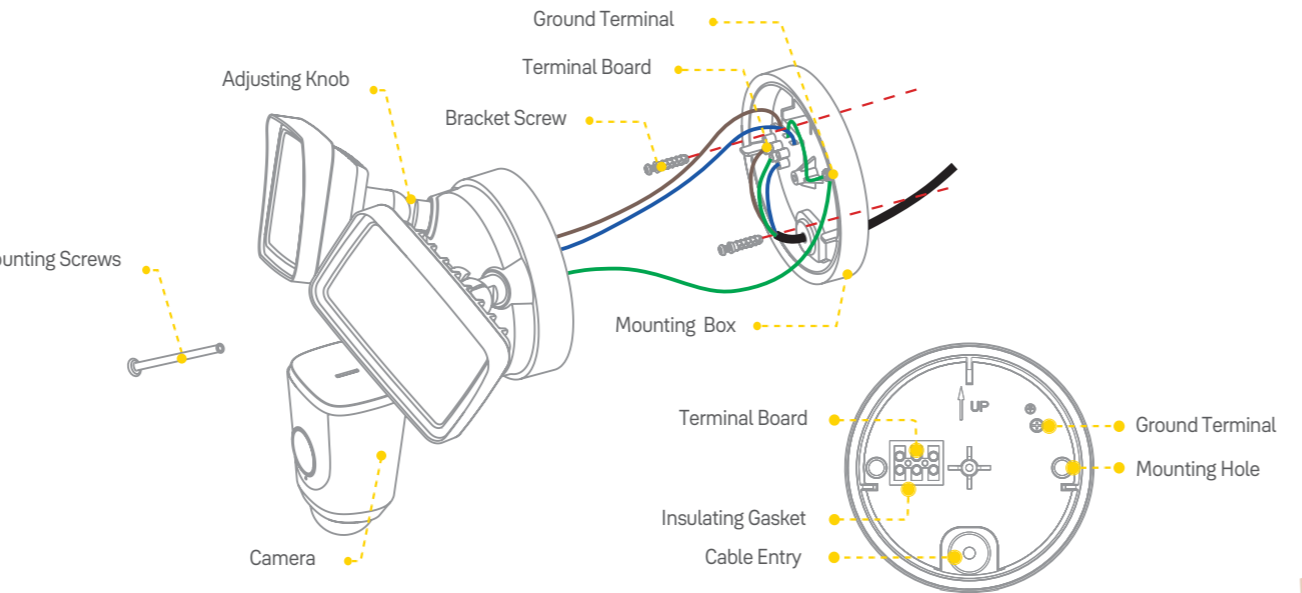
Version 1.0.2

## Identifying the parts



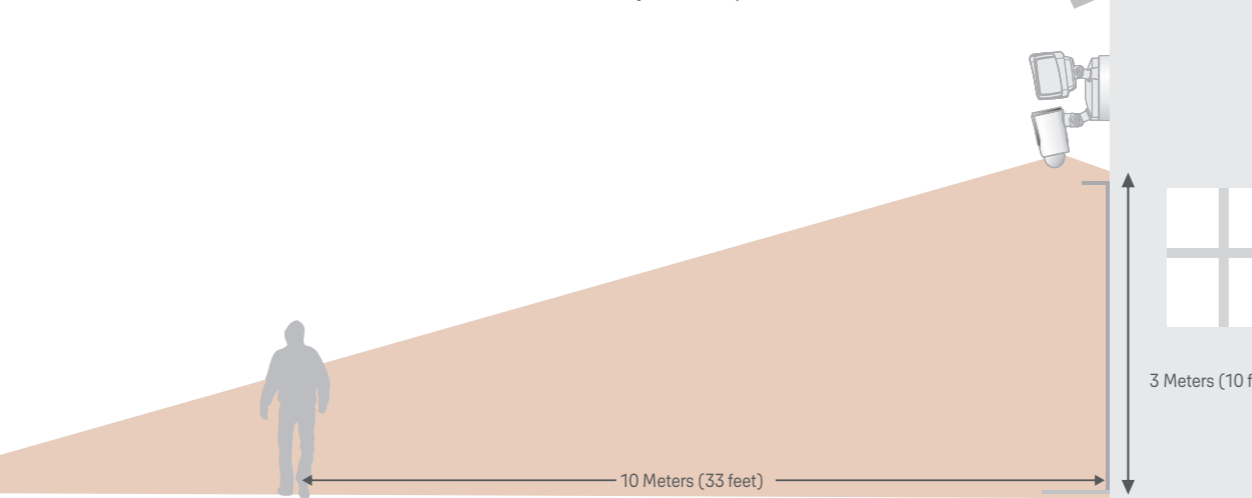
**Note**  
In the screw package, there are 3 expansion bolts, 3 silicone gaskets, and 3 self-tapping screws.

## Assembly

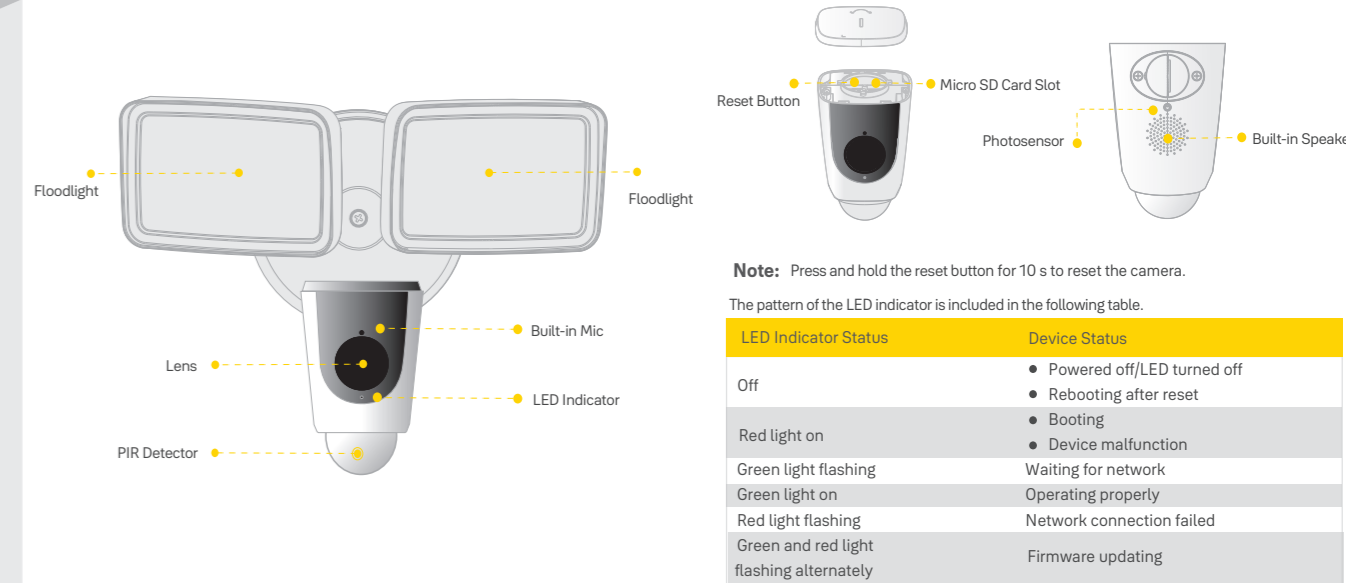


## Application

When mounted at 3 m (10 feet) off the ground, with the PIR lens parallel to the ground, the motion detector is optimized to detect human-sized objects at up to 10 m (33 feet).



## Camera Introduction



**Note:** Press and hold the reset button for 10 s to reset the camera.

The pattern of the LED indicator is included in the following table.

LED Indicator Status	Device Status
Off	<ul style="list-style-type: none"> <li>Powered off/LED turned off</li> <li>Rebooting after reset</li> </ul>
Red light on	<ul style="list-style-type: none"> <li>Booting</li> <li>Device malfunction</li> </ul>
Green light flashing	Waiting for network
Green light on	Operating properly
Red light flashing	Network connection failed
Green and red light flashing alternately	Firmware updating