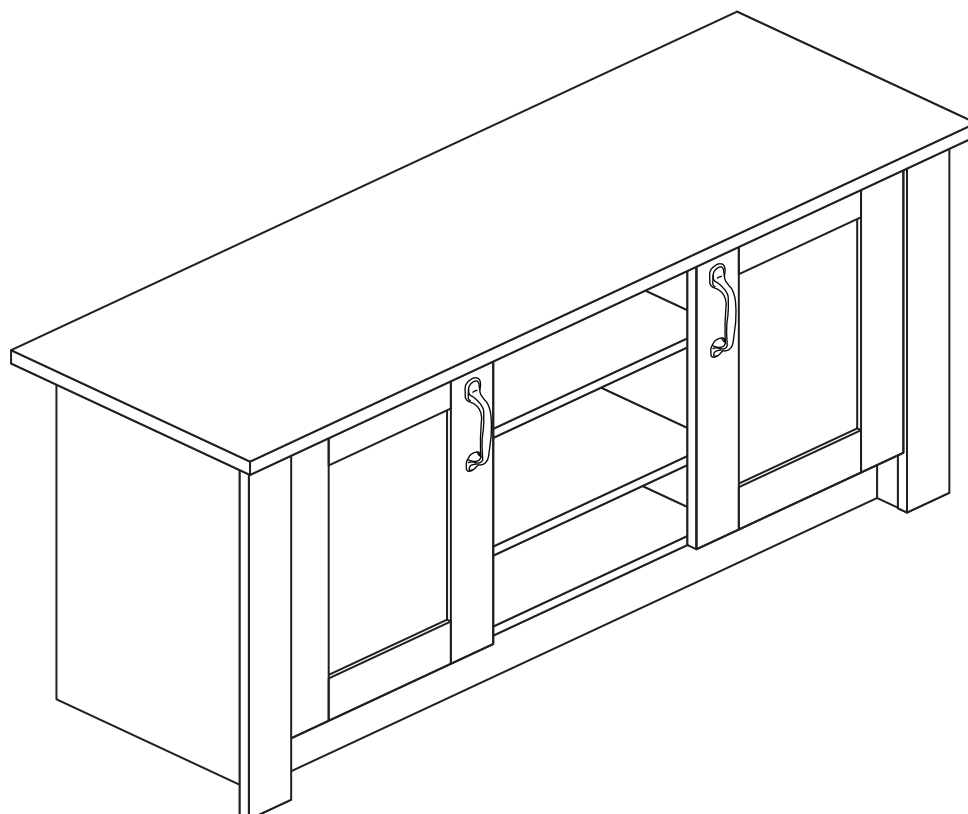


Ohio - TV Unit

Assembly Instructions - Please keep for future reference

309/6561



Dimensions

Width - 120cm

Depth - 39.5cm

Height - 61.5cm



**MADE IN
BRITAIN**

Important - Please read these instructions fully before starting assembly

If you need help or have damaged or missing parts, call the **Customer Helpline: 08456 400800**



Safety and Care Advice

Important - Please read these instructions fully before starting assembly

- **Warning:** This unit weighs approximately 30kgs. Please lift with care.

- Check you have all the components and tools listed on pages 2 and 3.

- Remove all fittings from the plastic bags and separate them into their groups.

- Keep children and animals away from the work area, small parts could choke if swallowed.

- Parts of the assembly will be easier with 2 people.

- Make sure you have enough space to layout the parts before starting.

- Do not stand or put weight on the product, this could cause damage.

- Assemble the item as close to its final position (in the same room) as possible.

- Assemble on a soft level surface to avoid damaging the unit or your floor (use opened out unit carton).



- We do not recommend the use of power drill/drivers **for inserting screws**, as this could damage the unit. Only use hand screwdrivers.

- **Safety note:** If there is any chance of this unit being pulled over by children etc. it is recommended that the unit is secured to a wall using suitable fixings (not supplied).

- Dispose of all packaging carefully and responsibly.

Care and maintenance

- Only clean using a damp cloth and mild detergent, do not use bleach or abrasive cleaners.

- From time to time check that there are no loose screws on this unit.

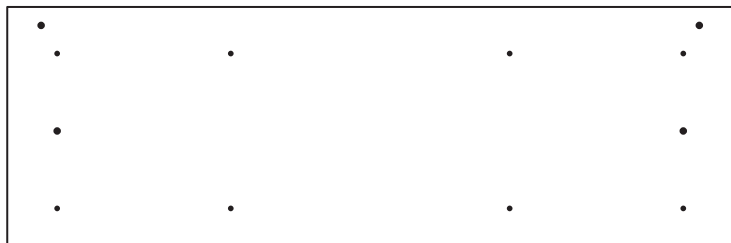
- This product should not be discarded with household waste. Take to your local authority waste disposal centre.

Note: If required the next page can be cut out and used as reference throughout the assembly. Keep this page with these instructions for future reference.

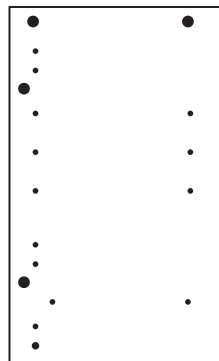
Components - Panels

If you have damaged or missing components, call the **Customer Helpline: 08456 400800** quoting the reference numbers below

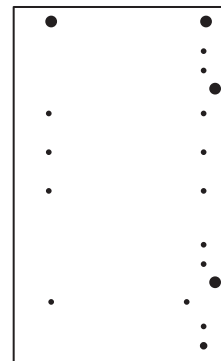
Please check you have all the panels listed below



1 Top (D1782A)
(1200 x 395mm)



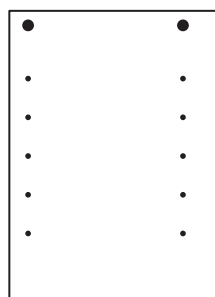
2 Left Side (D1783A)
(590 x 357mm)



3 Right Side (D1784A)
(590 x 357mm)



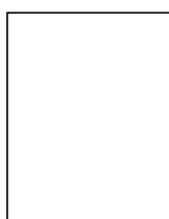
4 Base (D1785A)
(1020 x 350mm)



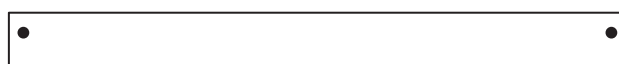
5 Divider (D1786A)
(480 x 349mm) x 2



6 Large Shelf (D1787A)
(444 x 348mm) x 2



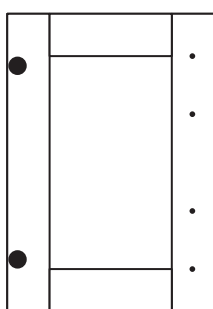
7 Small Shelf (D1788A)
(271 x 348mm) x 2



8 Plinth (D1789A)
(1020 x 95mm)



9 Fascia (D1790A)
(590 x 70mm) x 2



10 Door (D1808A)
(492 x 342mm) x 2



11 Small Back (X918)
(504 x 292mm) x 2



12 Large Back (X950)
(504 x 395mm)

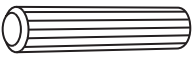
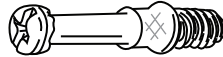


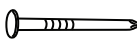


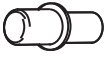

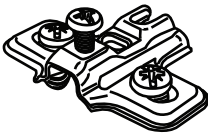
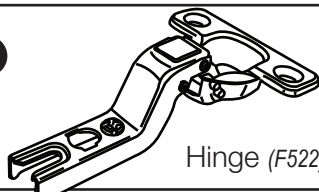
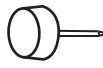


Components - Fittings

If you have damaged or missing components, call the **Customer Helpline: 08456 400800** quoting the reference numbers below

Please check you have all the fittings listed below

Note: The quantities below are the correct amount to complete the assembly. In some cases more fittings may be supplied than are required.

<p>A </p> <p>Wooden dowel (F22) x 6</p>	<p>B </p> <p>Metal dowel (F901) x 18</p>	<p>C </p> <p>Large locking nut (F900) x 18</p>
<p>D </p> <p>19mm Screw (F461) x 4</p>	<p>E </p> <p>Nail (F51) x 22</p>	<p>F </p> <p>13mm Screw (F63) x 8</p>
<p>G </p> <p>40mm Screw (F910) x 4</p>	<p>H </p> <p>Shelf support (F121) x 16</p>	<p>I </p> <p>Handle (F287) x 2</p>
<p>J </p> <p>Hinge plate (F523) x 4</p>	<p>K </p> <p>Hinge (F522) x 4</p>	<p>L </p> <p>Plastic Nail (F91) x 5</p>

Tools required



Rule



Cross-head screwdriver



Scissors



Hammer



Eye protection (when using a hammer or drill)



Electric drill (do not use for fitting screws)

Ruler - Use this ruler to help correctly identify the screws

mm 10 20 30 40 50 60 70 80 90 100 110 120 130 140 150 160 170

Assembly Instructions

If you have damaged or missing components, call the
Customer Helpline: 08456 400800 quoting the reference
numbers below

Step 1

Prepare the left side

a: Tap a wooden dowel **A** into the left side **2**.

Note: Wooden dowels **must not** stick out from the edge by more than 10mm or they may damage other panels.

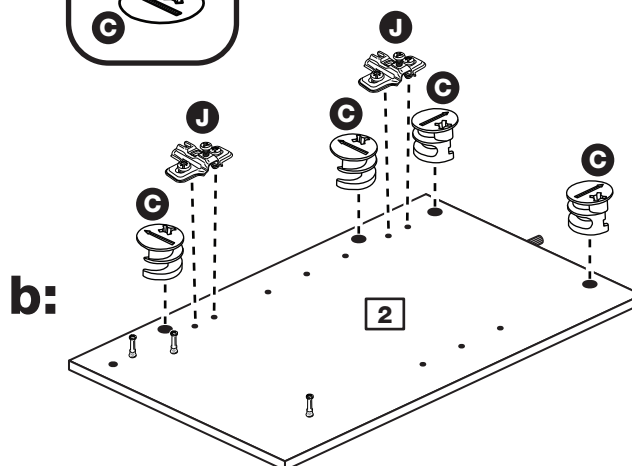
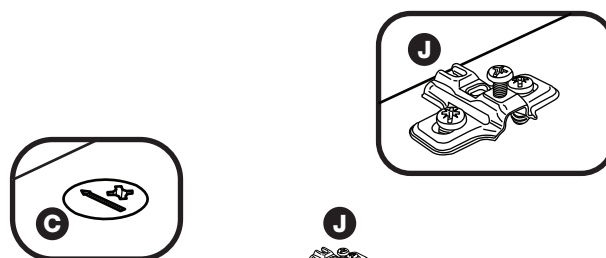
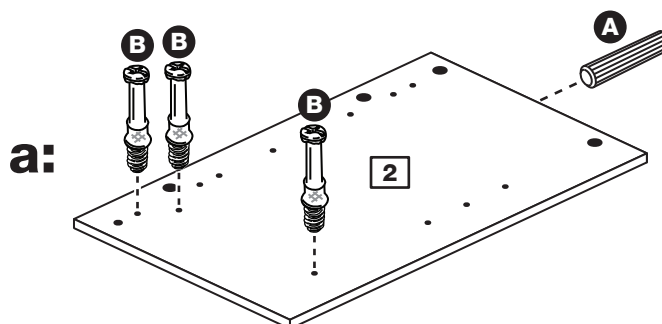
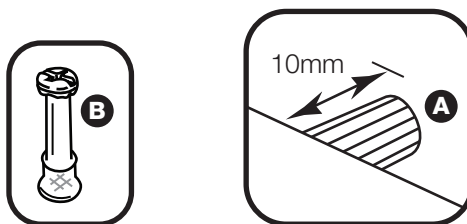
Screw 3 metal dowels **B** into the left side **2**.

Note: Tighten the metal dowels up fully against the panels.

b: Insert 4 large locking nuts **C** into the left side **2**.

Note: The arrow on the locking nut **must** point towards the hole in the edge of the panel.

Fit 2 hinge plates **J** onto the left side **2**, making sure that the slot is facing towards the finished front edge.



Assembly Instructions

Step 2

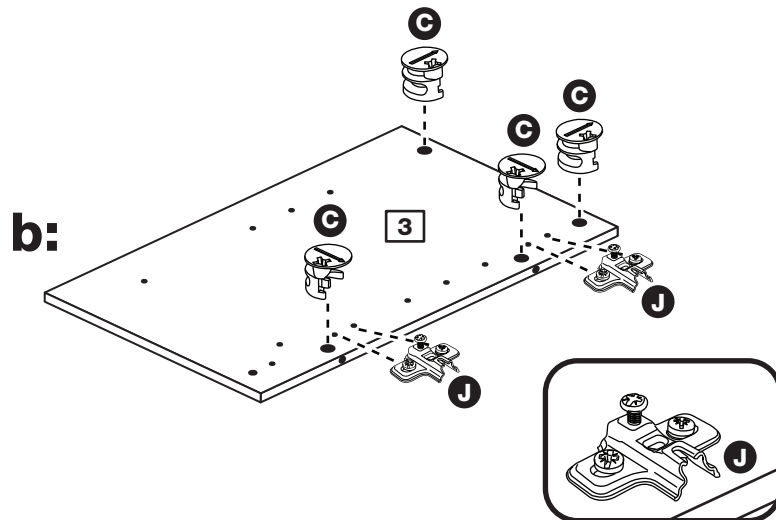
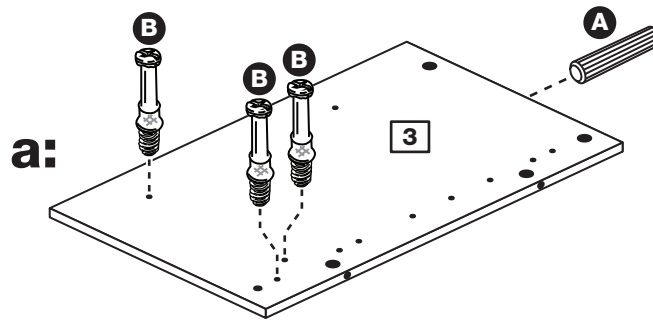
Prepare the right side

a: Tap a wooden dowel **A** into the right side **3**.

Screw 3 metal dowels **B** into the right side **3**.

b: Insert 4 large locking nuts **C** into the right side **3**.

Fit 2 hinge plates **J** onto the right side **3**, making sure that the slot is facing towards the finished front edge.



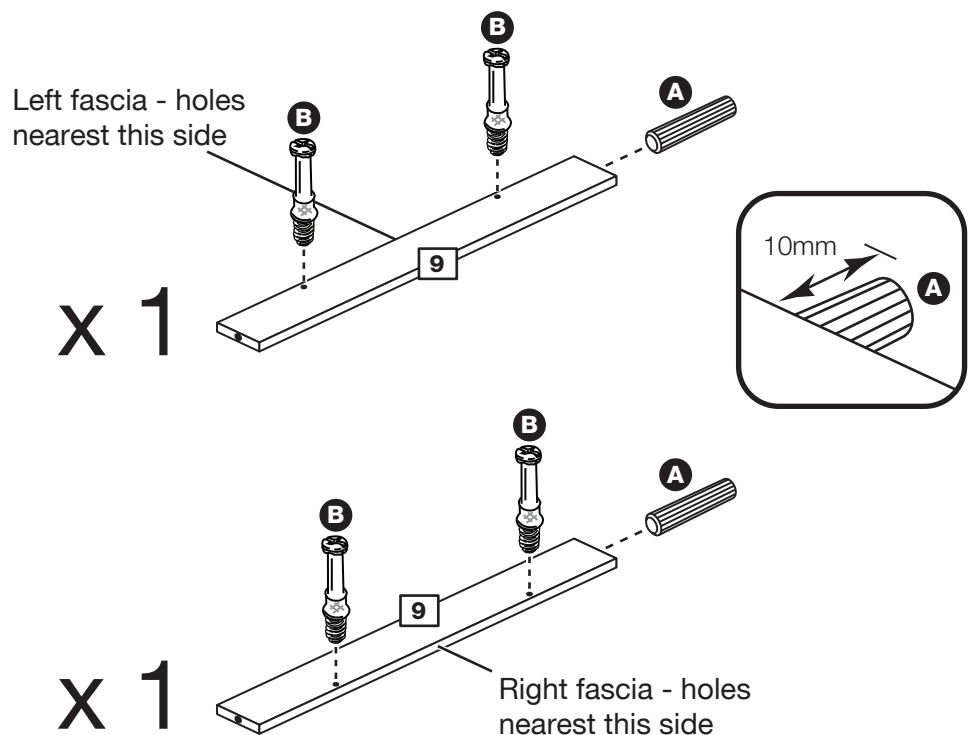
Step 3

Prepare the 2 fascias

Check that the holes are in the same place as the diagrams, as one will be the left fascia and one will be the right fascia.

Screw 2 metal dowels **B** into each of the 2 fascias **9**.

Tap a wooden dowel **A** into each of the 2 fascias **9**.

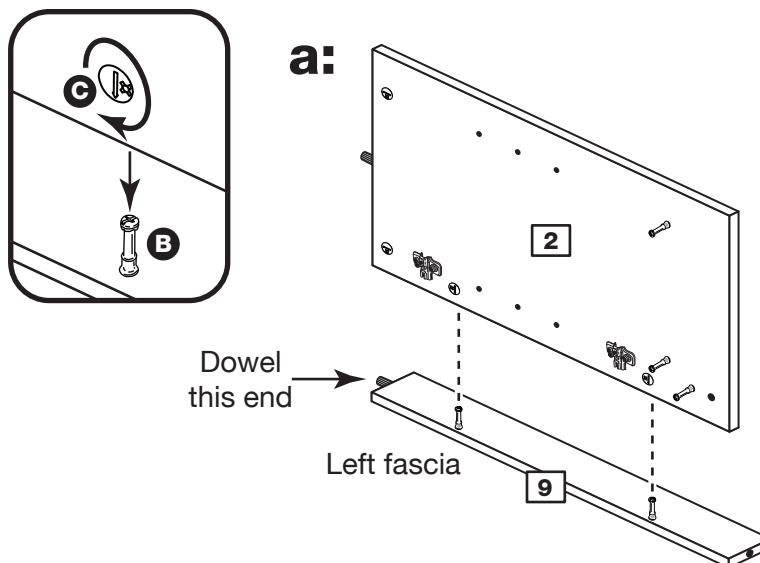


Assembly Instructions

Step 4

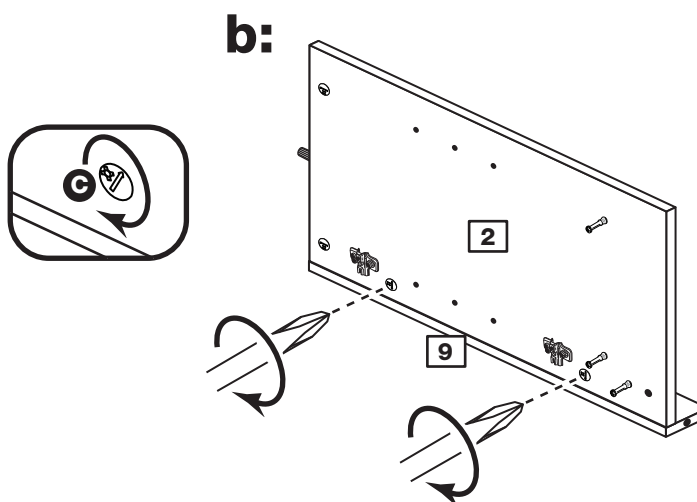
Join the left side to the left fascia panel

a: Push the left side **2** down onto the left fascia panel **9**.



b: Use a screwdriver to tighten the 2 large locking nuts **C** fitted to the left side **2**.

Note: Turn the large locking nuts **C** as far as they will go - more than 1/2 a turn.

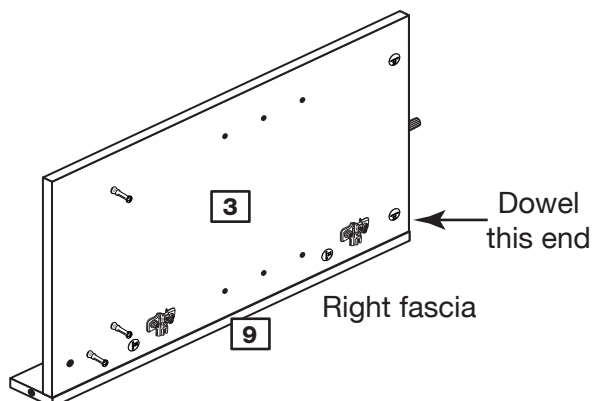


Step 5

Join the right side to the right fascia panel

a: Push the right side **3** down onto the right fascia panel **9**.

Use a screwdriver to tighten the 2 large locking nuts **C** fitted to the right side **3**.

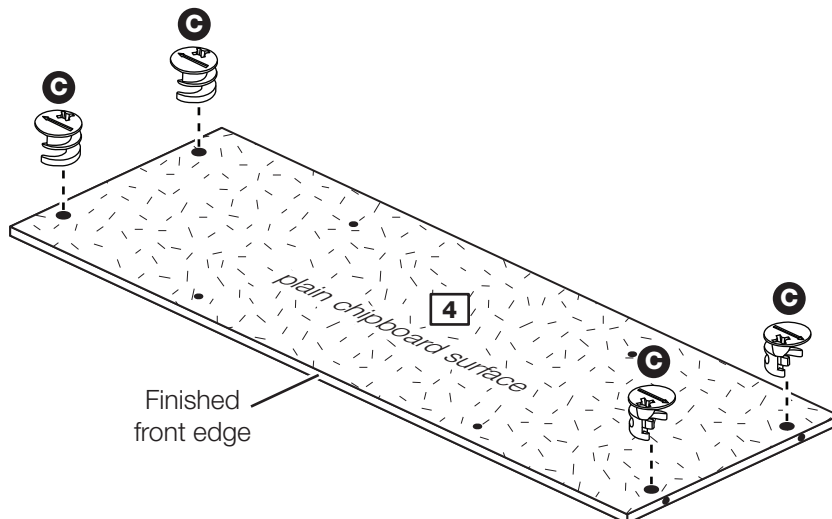


Assembly Instructions

Step 6

Prepare the base

Insert 4 large locking nuts **C** into the base **4**.

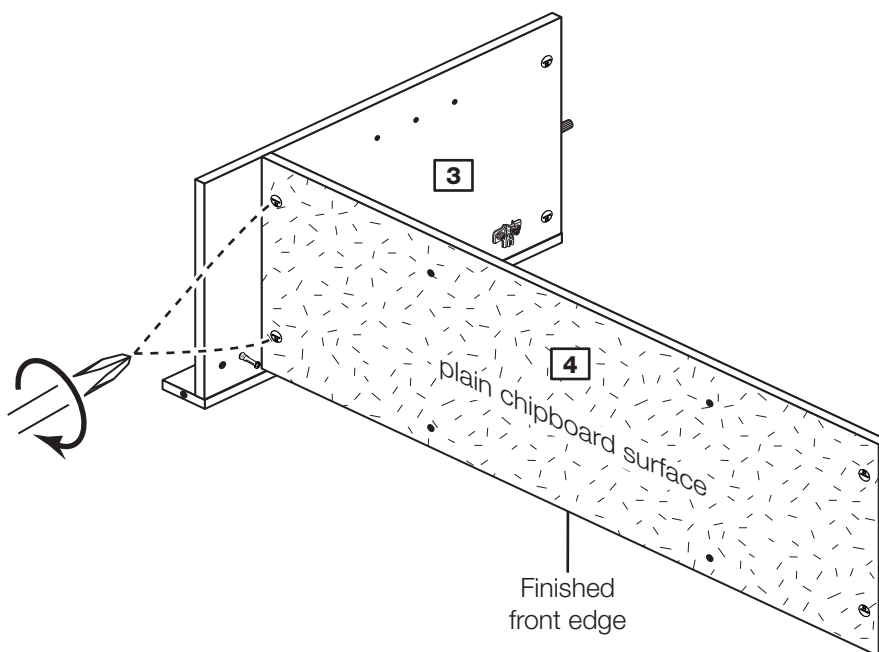


Step 7

Fit the base

Push the base **4** onto the right side **3**.

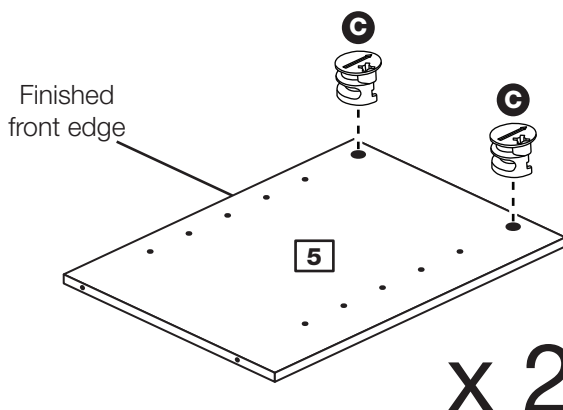
Use a screwdriver to tighten the 2 large locking nuts **C** fitted to the base **4**.



Step 8

Prepare the 2 dividers

Insert 2 large locking nuts **C** into each of the 2 dividers **5**.



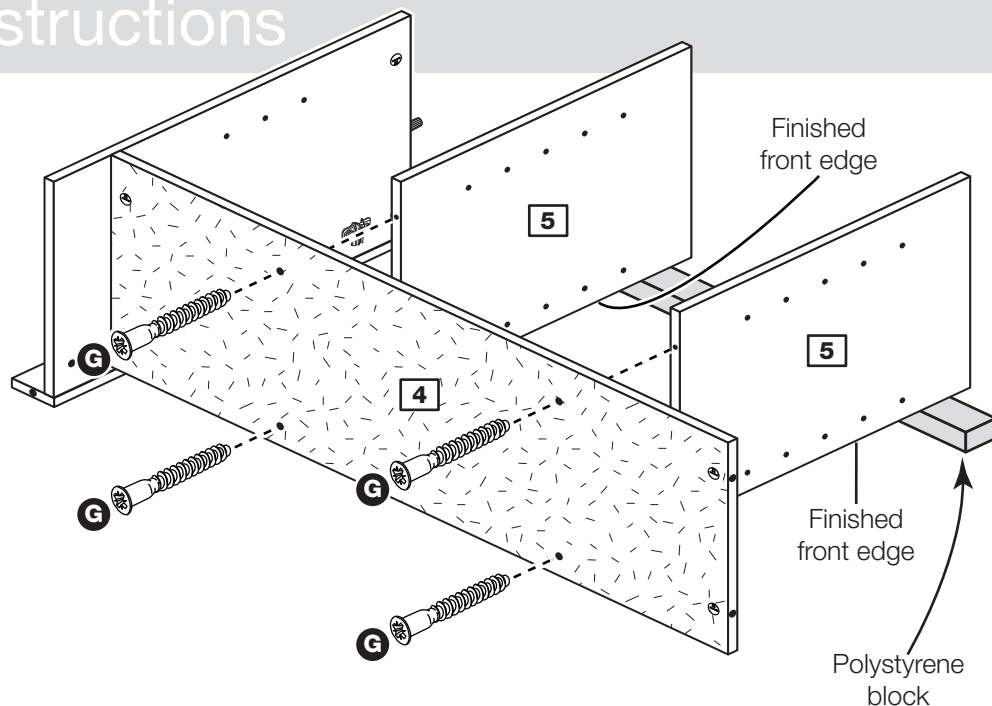
Assembly Instructions

Step 9

Fit the dividers

Attach the 2 dividers **5** to the base **4** using 4 screws **G**.

Note: To make it easier to fit the 2 dividers, place polystyrene blocks from the packaging underneath to raise them up level.

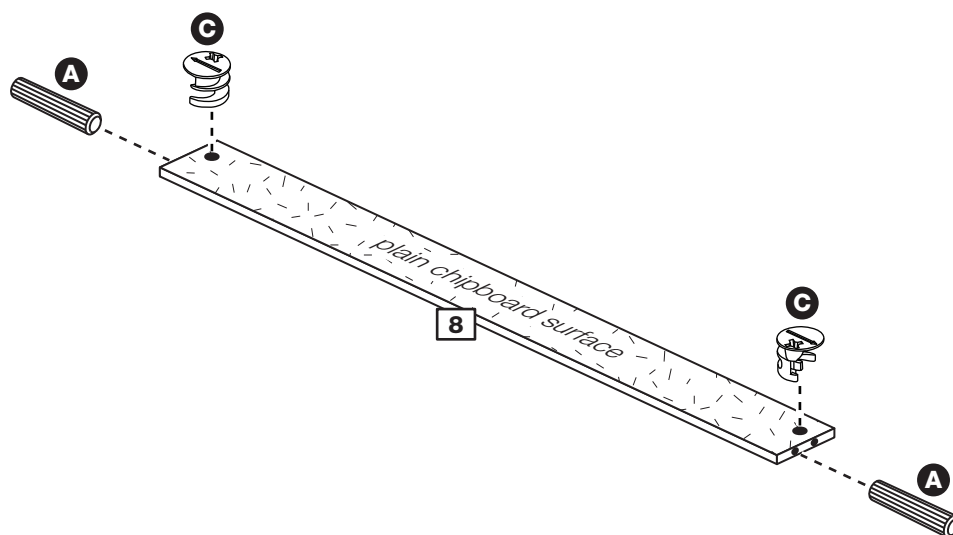


Step 10

Prepare the plinth

Tap 2 wooden dowels **A** into the plinth **8**.

Insert 2 large locking nuts **C** into the plinth **8**.

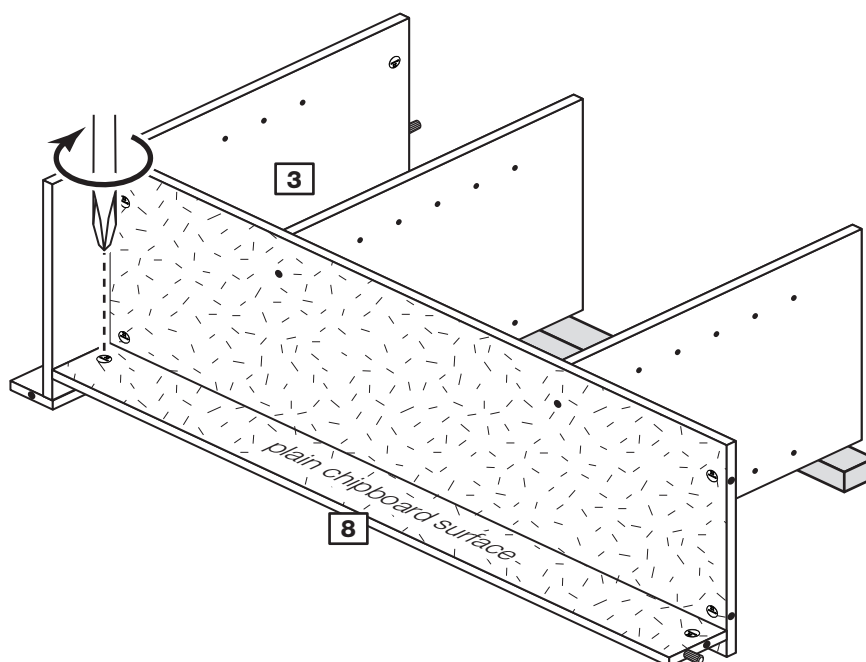


Step 11

Fit the plinth

Push the plinth **8** onto the right side **3**.

Use a screwdriver to tighten the large locking nut **C** fitted to the plinth **8**.



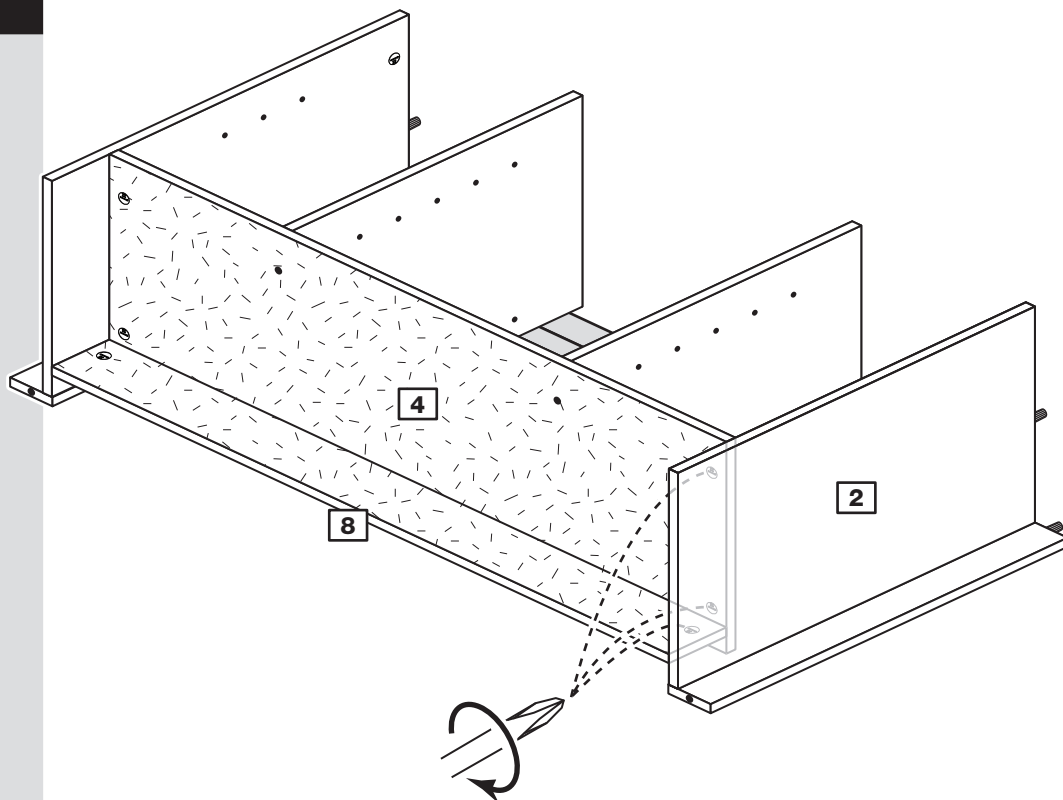
Assembly Instructions

Step 12

Fit the left side

Push the left side **2** onto the assembly.

Use a screwdriver to tighten the 3 large locking nuts **C** fitted to the base **4** and plinth **8**.

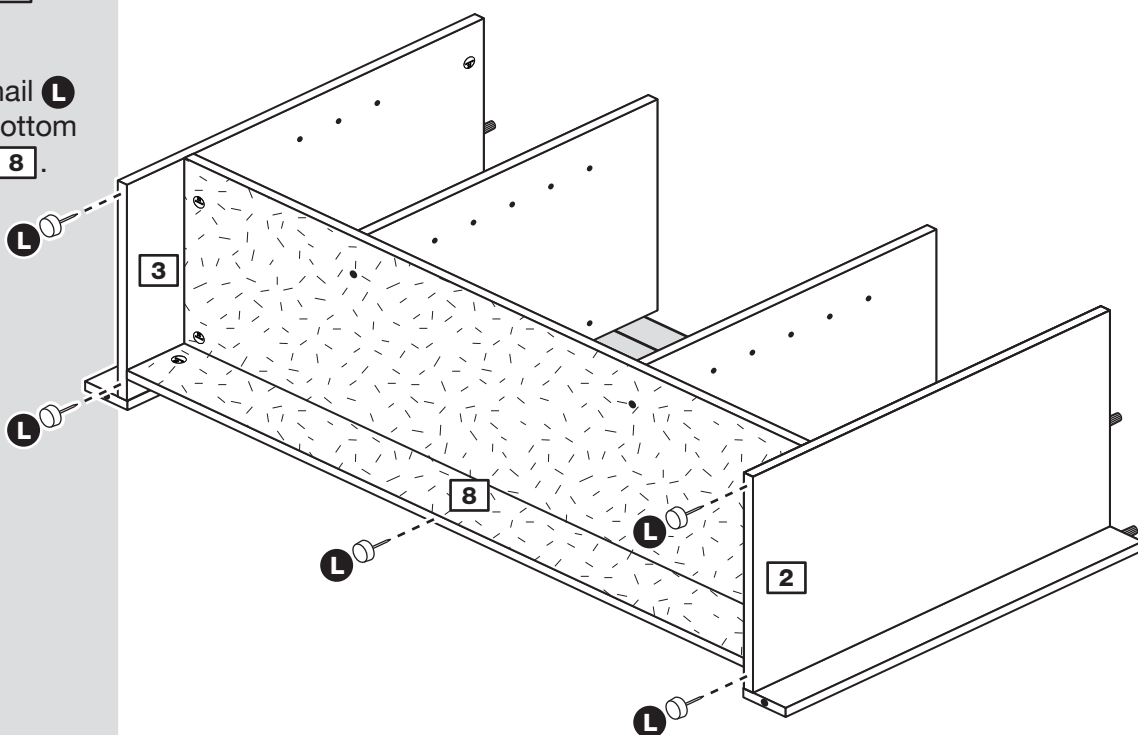


Step 13

Fit the 5 plastic nails

Tap 2 plastic nails **L** into the bottom edge of each of the sides **2** and **3**.

The other plastic nail **L** taps into the the bottom edge of the plinth **8**.

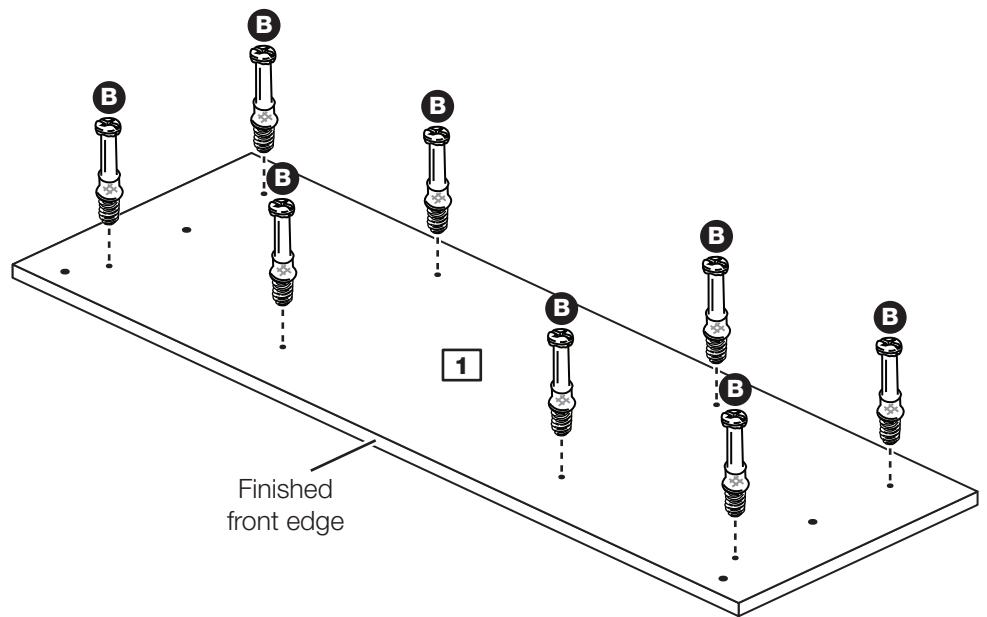


Assembly Instructions

Step 14

Prepare the top

Screw 8 metal dowels **B** into the top **1**.



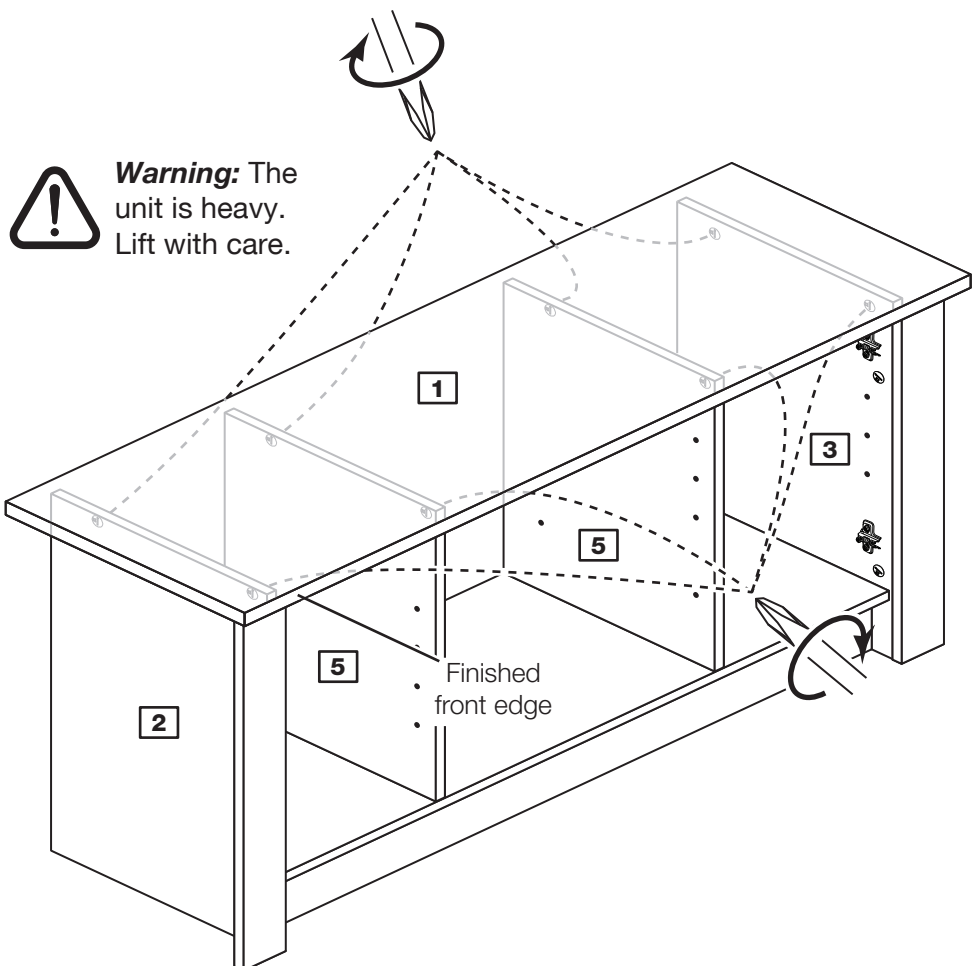
Step 15

Fit the top

Carefully stand the unit up for this step.

Push the top **1** down onto the assembly.

Use a screwdriver to tighten the 8 large locking nuts **C** fitted to the left side **2**, the right side **3** and the 2 dividers **5**.



Assembly Instructions

Step 16

Fit the backs

Lay the unit back down for this step.

a: Square up the unit by making sure that measurement **x to x** equals **y to y**.

b: Place the 2 small backs **11** onto the unit.

Nail **E** around the outside edges of the small backs **11**.

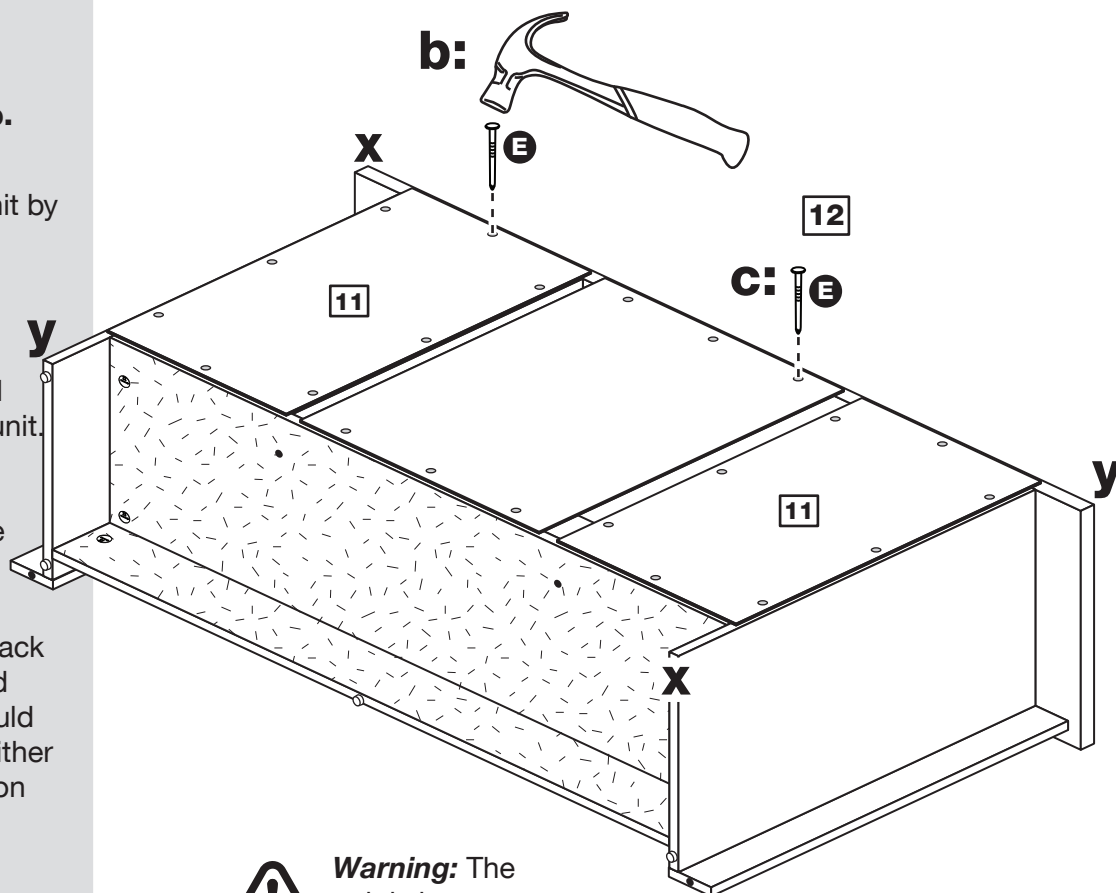
c: Place the large back **12** onto the unit and determine if you would like a small gap at either side or, a large gap on one side, for cable management.

Nail **E** along the top and bottom edges of the large back **12**.

Note: Nails should be spaced out evenly.

Stand the unit up for the next step.

a: The measurement from top corner X to bottom corner X must be equal to the measurement from top corner Y to bottom corner Y



Warning: The unit is heavy. Lift with care.

Assembly Instructions

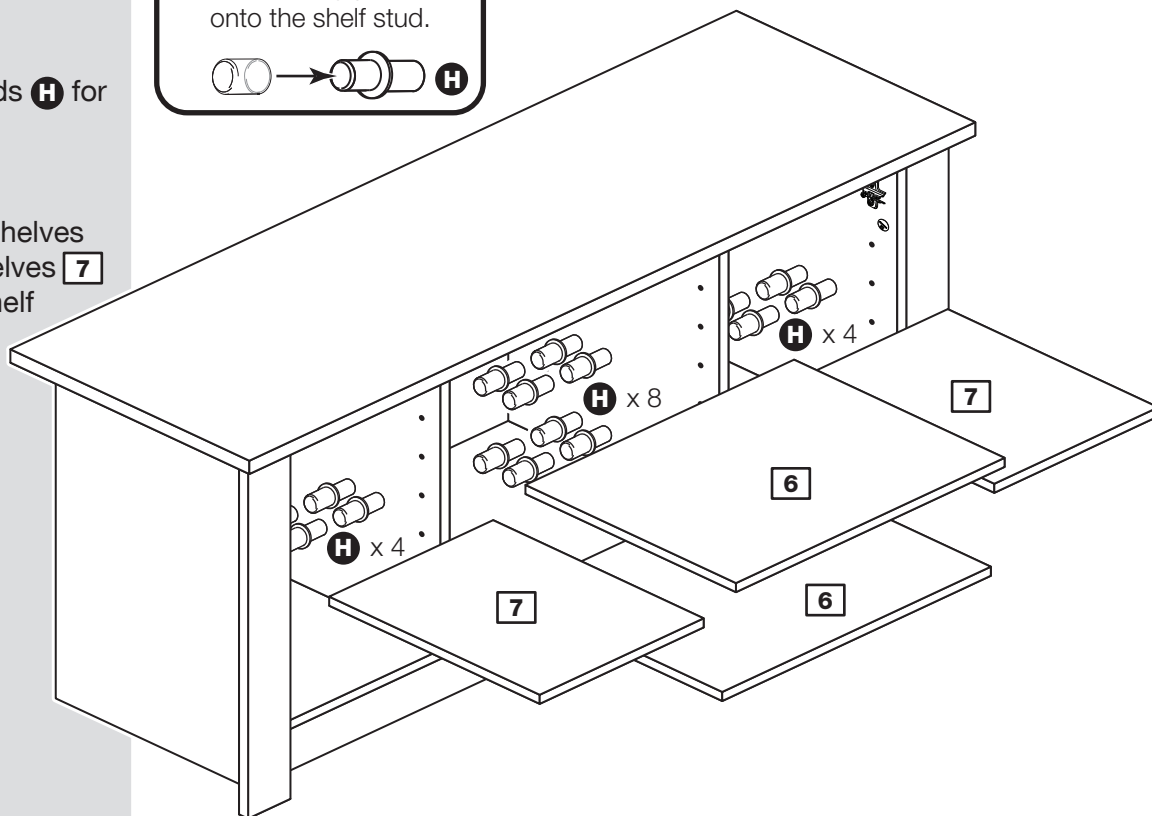
Step 17

Fit the shelves

Insert 4 shelf studs **H** for each shelf at the required height.

Lower the large shelves **6** and small shelves **7** down onto the shelf studs **H**.

Make sure that the plastic sleeve is fully pushed onto the shelf stud.



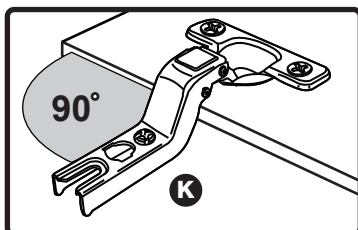
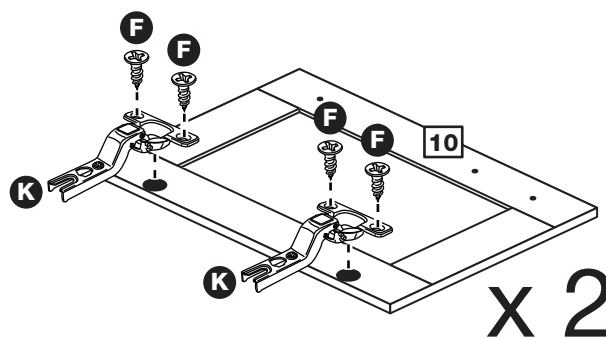
Step 18

Prepare the 2 doors

Push fit 2 hinges **K** into each of the 2 doors **10**.

Secure each hinge with 2 screws **F**.

Note: Before securing with the screws, make sure that the hinges are positioned at 90 degrees with the edge of the door.



Assembly Instructions

Step 19

Drill 2 handle holes in each of the doors

Important: Please follow these instructions carefully.

Lay the 2 doors **10** down onto a smooth surface.

Check that the hinges and holes are in the same place as the diagrams.

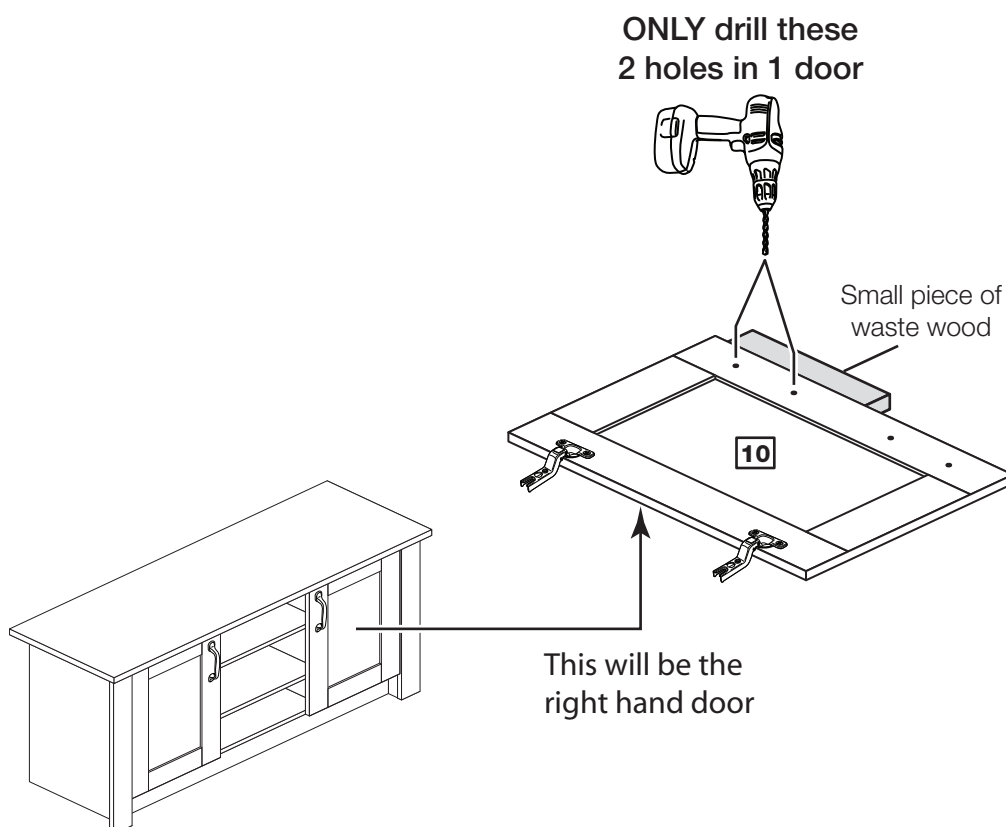
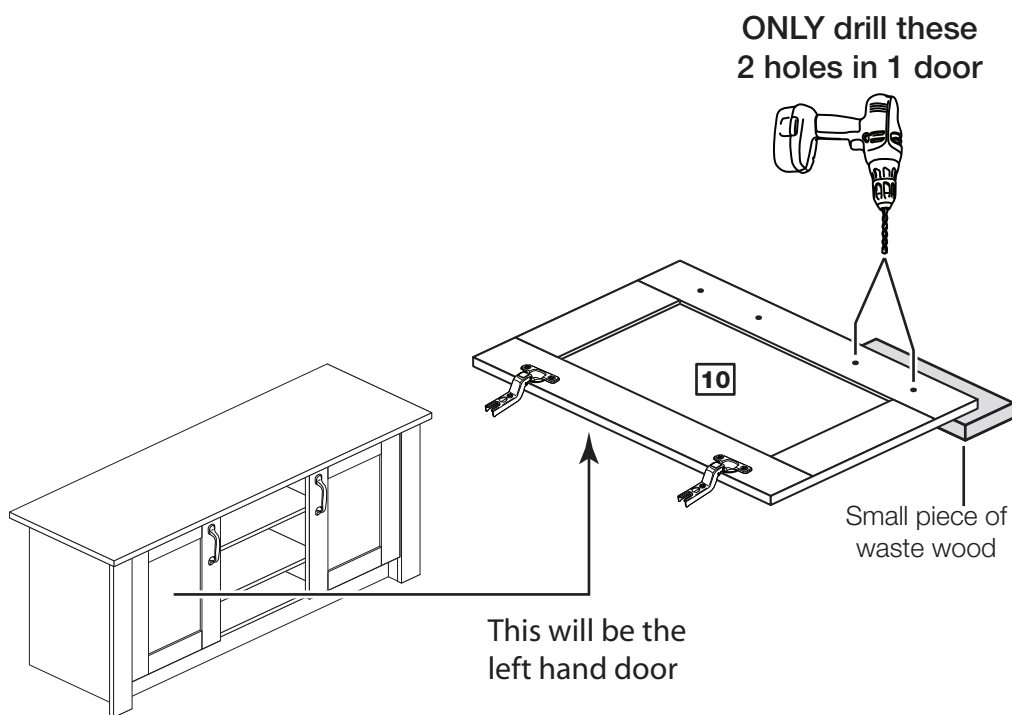
Note: We recommend the use of a small piece of waste wood, placed behind the holes while drilling, to reduce the possibility of any breakout.

Using the pilot holes in the rear face of the door, drill through the 2 holes indicated opposite, using a 2.5mm diameter drill.

Turn the door over and open out the 2.5mm holes that you have just drilled by drilling back through them with a 5mm drill.

IMPORTANT

Carefully choose which 2 holes you need to drill in each door



Assembly Instructions

Step 20

Fit doors and handles

Note: The easiest way to attach each door **10** is to fit the top hinge first, then align and fit the other hinges.

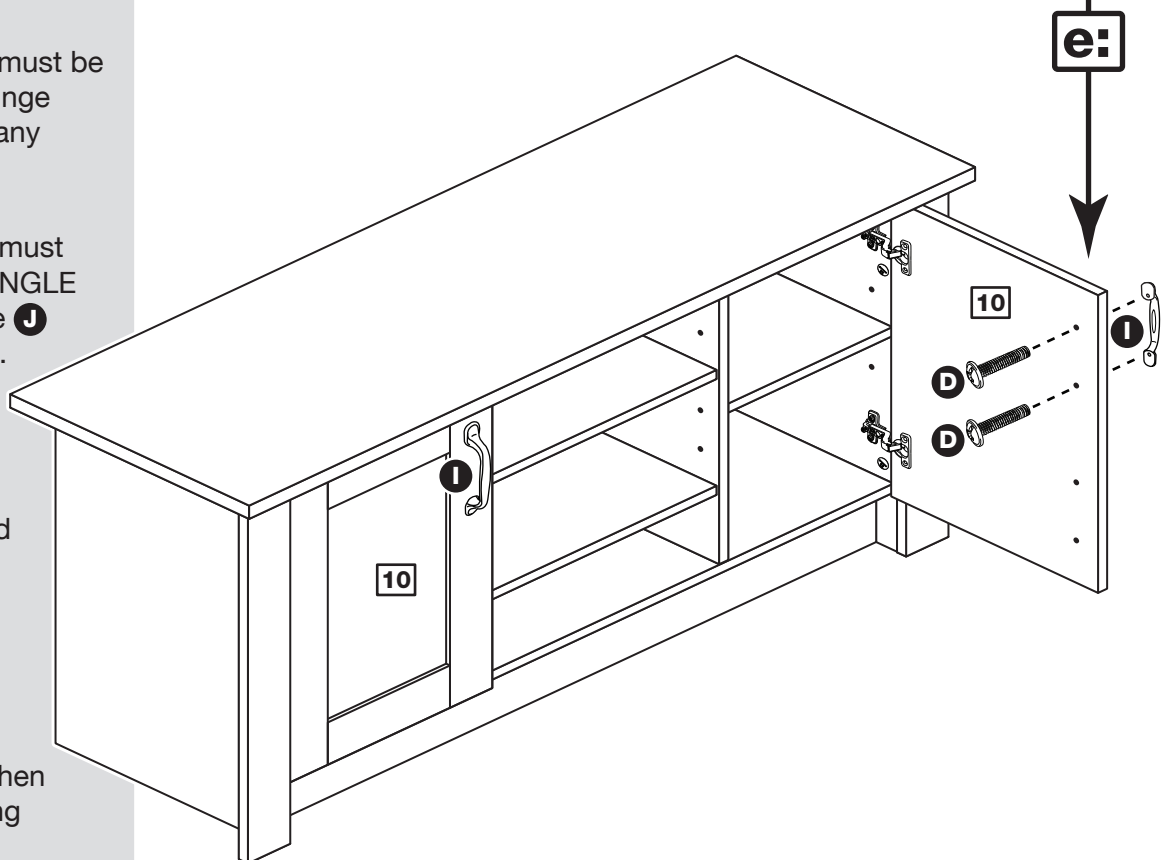
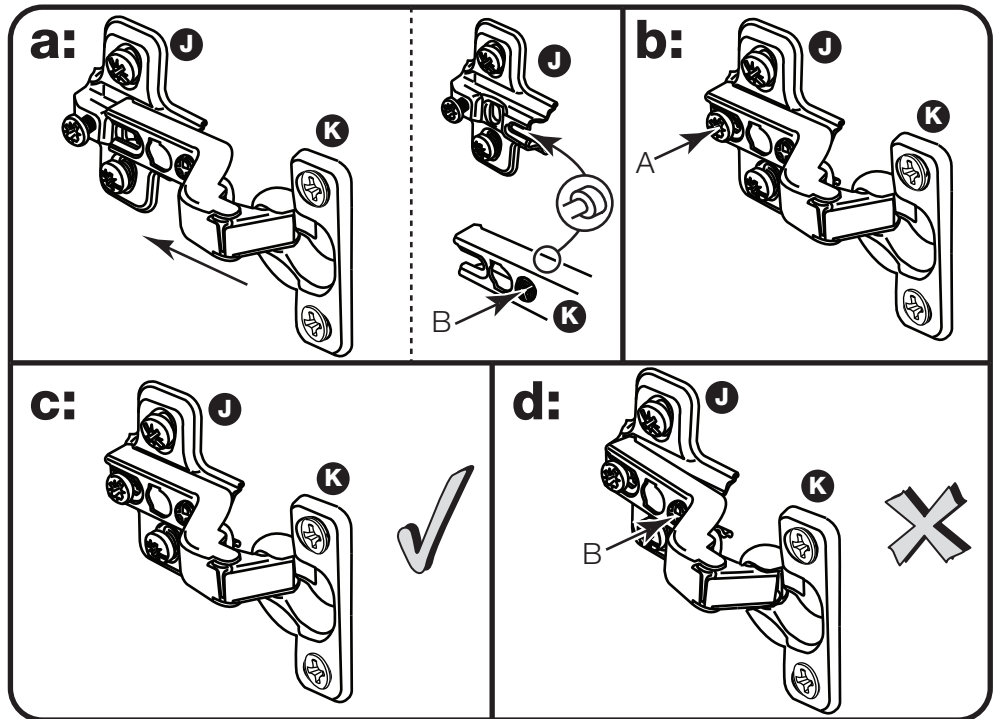
a: Push the hinge **K** onto the front part of the hinge plate **J**. The recess at the bottom of screw B goes into the slot in the hinge plate.

b: Keep the hinge **K** FLAT against the hinge plate **J** as you slide it across as far as it will go. Tighten screw A.

c: The hinge **K** must be flat against the hinge plate **J** prior to any adjustment.

d: The hinge **K** must NOT be AT AN ANGLE to the hinge plate **J** when assembled. This would indicate that the recess at the bottom of screw B had not located in the slot in the hinge plate and the hinge would not be secure. Remove the hinge from the hinge plate and then re-assemble being careful to follow instructions a-c.

e: Attach a handle **I** to each door **10** using 2 screws **D**.



Assembly Instructions

Step 21

Adjust the doors if needed

a: Before adjusting the doors, use a spirit level to check the base (or top) of the unit is level, front-to-back and side-to-side in the 3 positions shown. Use suitable packing pieces (not supplied) to make the unit level BEFORE making any adjustment to the hinges, as shown.

b: Height adjustment.

Loosen screws A on hinge plates and move door up or down as required. Retighten screw A.

c: Forward and Back adjustment.

Loosen screw B on hinge plate and move door in or out as required. Retighten screw B.

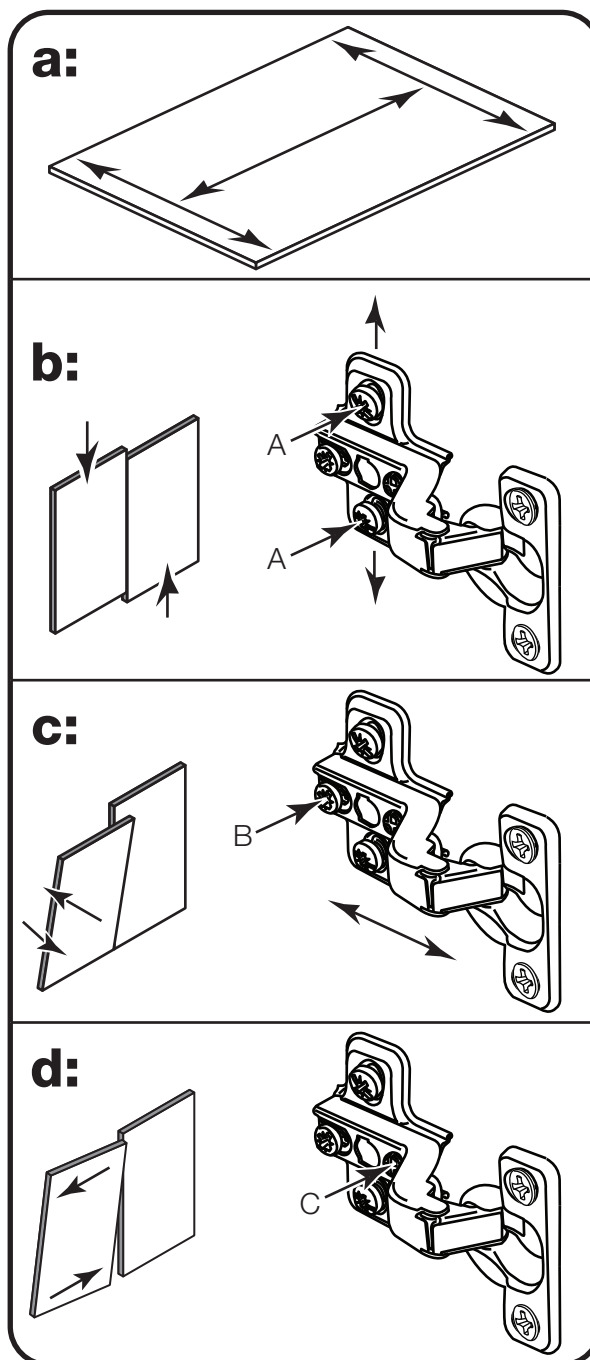
d: Sideways adjustment.

To move door 'out' loosen screw C. To move door 'in' tighten screw C.

Assembly is complete



Warning: The unit is heavy. Lift with care.



If you need help or have damaged or missing parts, call the Customer Helpline: 08456 400800 and quote the reference numbers on the component pages.

Argos Ltd, 489-499 Avebury Boulevard, Central Milton Keynes, MK9 2NW