
ECAM61X.3Y - 61X.5Y - 61X.7Y

PRIMADONNA SOUL

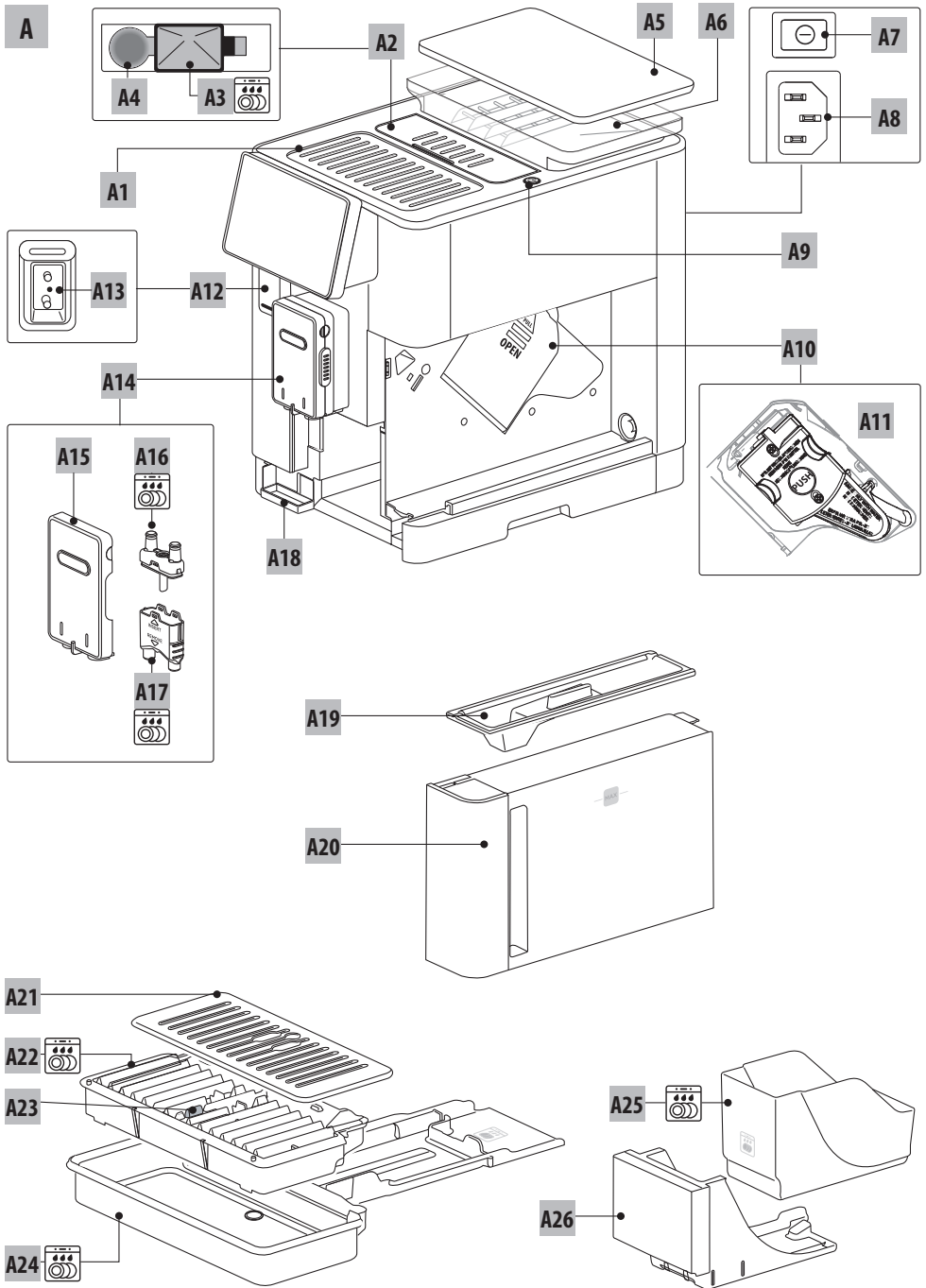
BEAN TO CUP ESPRESSO AND
CAPPUCCINO MACHINE

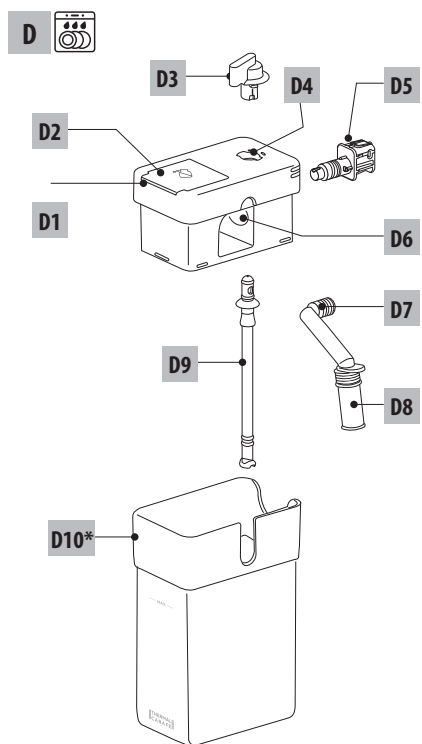
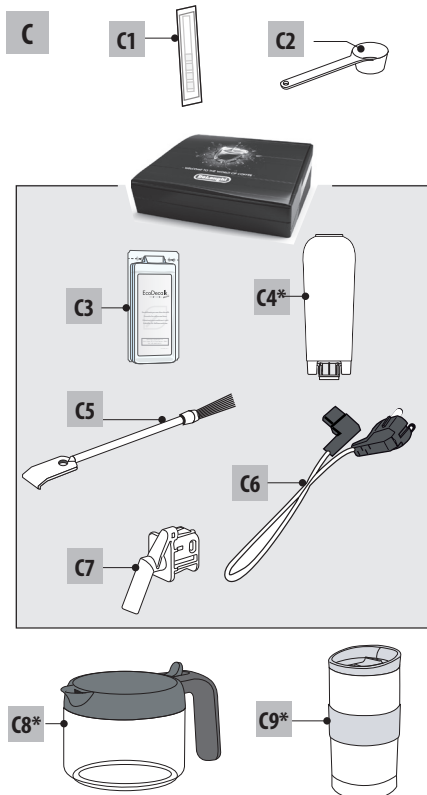
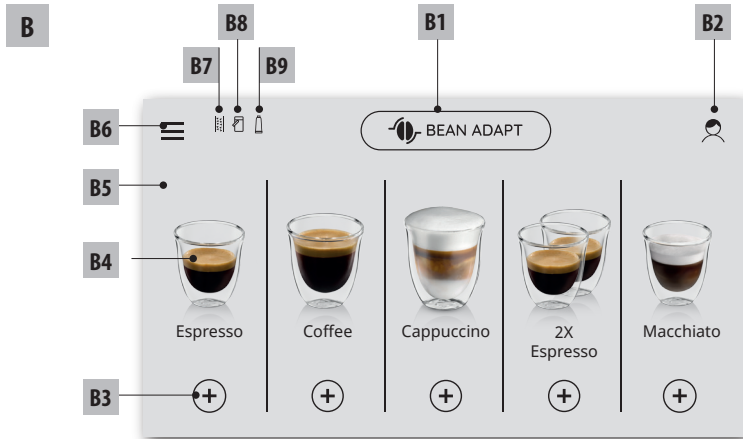
Instructions for Use



Instructions videos available at:
<http://PrimadonnaSoul.delonghi.com>

DeLonghi





CONTENTS

1. INTRODUCTION	5
1.1 Letters in brackets.....	5
1.2 Troubleshooting and repairs.....	5
1.3 Download the App!.....	5
2. DESCRIPTION	5
2.1 Description of the appliance (page 2 - A).....	5
2.2 Description of the homepage (main screen) (page 3 - B).....	5
2.3 Description of the accessories (page 3 - C).....	5
2.4 Description of the milk container" (page 3 - D)	6
3. SETTING UP THE APPLIANCE ☺.....	6
4. TURNING THE MACHINE ON ☺.....	7
5. TURNING THE APPLIANCE OFF	7
6. MENU SETTINGS ☺.....	7
6.1 Rinsing.....	7
6.2 Descaling.....	7
6.3 Connectivity.....	7
6.4 Adjust mill.....	8
6.5 Coffee temperature.....	8
6.6 Selecting the language.....	8
6.7 Edit profile.....	8
6.8 Auto-off.....	8
6.9 General.....	9
6.10 Water filter.....	9
6.11 Water hardness.....	9
6.12 Default values.....	9
6.13 Emptying the circuit.....	9
6.14 Statistics.....	9
7. MAKING COFFEE ☺.....	10
7.1 Making coffee using coffee beans.....	10
7.2 Your coffee at a touch.....	10
7.3 Customising the beverages.....	10
7.4 Making coffee using pre-ground coffee.....	10
7.5 Bean Adapt Technology & Espresso SOUL.....	11
7.6 General indications for making coffee-based beverages.....	11
7.7 Tips for a hotter coffee.....	11
8. COFFEE POT ☺.....	11
8.1 Cleaning the coffee pot.....	12
9. OVER ICE (ECAM61X.7Y ONLY)	12
10. MAKING MILK-BASED BEVERAGES ☺.....	12
10.1 Filling and attaching the milk container.....	12
10.3 Your milk-based beverage at a touch.....	13
10.4 Customising the beverages.....	14
10.5 Cleaning the milk container after use.....	14
11. MUG TO GO (ECAM61X.7Y ONLY)	14
11.1 Cleaning the travel mug after use.....	15
12. TEA FUNCTION	15
13. DELIVERING HOT WATER ☺.....	16
13.1 Your beverage at a touch.....	16
13.2 Customising the beverages.....	16
14. GUIDED BEVERAGE CUSTOMISATION (MY) ☺.....	16
15. SELECTING YOUR PERSONAL PROFILE ☺ ..	17
16. CLEANING ☺.....	17
16.1 Cleaning the machine.....	17
16.2 Cleaning the internal circuit.....	17
16.3 Cleaning the coffee grounds container.....	17
16.4 Cleaning the drip tray and drip tray grille.....	18
16.5 Cleaning the inside of the machine.....	18
16.6 Cleaning the water tank.....	18
16.7 Cleaning the coffee spouts.....	18
16.8 Cleaning the pre-ground coffee funnel.....	19
16.9 Cleaning the infuser.....	19
16.10 Cleaning the milk container (D).....	19
17. DESCALING ☺.....	20
18. SETTING WATER HARDNESS ☺.....	21
18.1 Measuring water hardness.....	21
18.2 Setting water hardness.....	21
19. WATER SOFTENER FILTER ☺.....	21
19.1 Installing the filter.....	22
19.2 Replacing the filter.....	22
19.3 Removing the filter.....	22
20. TECHNICAL DATA	22
20.1 Tips for Energy Saving.....	23
21. DISPLAYED MESSAGES ☺.....	23
22. TROUBLESHOOTING ☺.....	28

1. INTRODUCTION


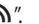
Thank you for choosing this bean to cup espresso and cappuccino machine.

Take a few minutes to read this Instruction for Use. This will avoid all risks and damage to the appliance.

1.1 Letters in brackets

The letters in brackets refer to the legend in the description of the appliance on pages 2-3.

1.2 Troubleshooting and repairs

In the event of problems, first try and resolve them by reading the information given in sections "21. Displayed messages  and "22. Troubleshooting .

If this does not resolve the problem or you require further information, you should consult customer services by calling the number given on the annexed "Customer Service" sheet.

If your country is not among those listed on the sheet, call the number given in the guarantee. If repairs are required, contact De'Longhi customer services only. The addresses are given in the guarantee certificate provided with the machine.


1.3 Download the App!



Download the App then follow the instructions in the App to create your account.

A number of functions can be controlled remotely using the De'Longhi Coffee Link App.

In the App, you can also find information, tips and curious facts about the world of coffee, together with information on your machine at your fingertips.

 This symbol highlights the functions you can control or consult using the App.


You can also create new beverages and save them in your appliance.

Please note:

- To access the functions from the App, enable connectivity from the appliance's settings menu (see "6.3 Connectivity").
- Check compatible devices on "compatibledevices.delonghi.com".

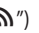
2. DESCRIPTION

2.1 Description of the appliance (page 2 - A)

- A1. Cup shelf
- A2. Pre-ground coffee funnel lid
- A3. Pre-ground coffee funnel (removable)
- A4. Pre-ground coffee measure compartment
- A5. Beans container lid
- A6. Beans container
- A7. Main switch (ON/OFF)
- A8. Power cord connector socket
- A9.  button: to turn the appliance on and off (standby)
- A10. Infuser door
- A11. Removable infuser
- A12. Milk container and descaling spout connector door
- A13. Milk container and descaling spout connector
- A14. Coffee/hot water spouts (adjustable height)
- A15. Central outlet cover
- A16. Top coffee spout
- A17. Bottom coffee spout
- A18. Condensate tray
- A19. Water tank lid
- A20. Water tank
- A21. Cup tray
- A22. Tray grille
- A23. Drip tray water level indicator
- A24. Drip tray
- A25. Coffee grounds container
- A26. Coffee grounds container support

2.2 Description of the homepage (main screen)

(page 3 - B)

- B1. Bean Adapt Technology (enable from App): see "7.5 Bean Adapt Technology & Espresso SOUL"
- B2. Customisable profiles (see "15. Selecting your personal profile )
- B3. To display and customise the beverage settings
- B4. Directly selectable beverages
- B5. Display
- B6. Appliance settings menu

Maintenance required lights

- B7. Descaling required light
- B8. Milk container cleaning required
- B9. Filter exhausted light

2.3 Description of the accessories (page 3 - C)

- C1. "Total Hardness Test" indicator paper (attached to the Quick Guide)
- C2. Pre-ground coffee measure (in the compartment (A4))

Accessories in the Starter Set:

- C3. Descaler

- C4. Water softener filter (*certain models only)
- C5. Cleaning brush
- C6. Power cord
- C7. Descaling spout (**keep the spout safely after each use**)

Accessories with certain models only:

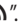
- C8. Coffee pot (*certain models only)
- C9. Travel mug (*certain models only)

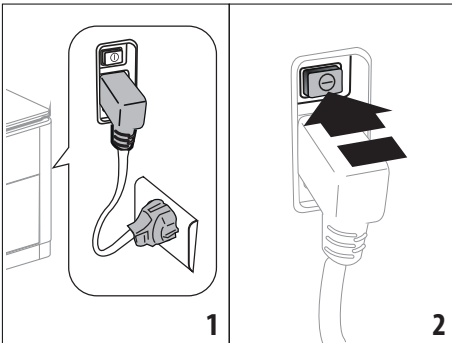
2.4 Description of the milk container" (page 3 - D)

- D1. Milk container lid
- D2. Milk refill lid
- D3. Froth adjustment/Clean dial
- D4. Dial seat
- D5. Milk container connector (removable for cleaning)
- D6. Milk spout seat
- D7. Milk spout (adjustable height)
- D8. Milk spout extension (adjustable)
- D9. Milk intake tube
- D10. Milk container (*thermal in certain models)

3. SETTING UP THE APPLIANCE 

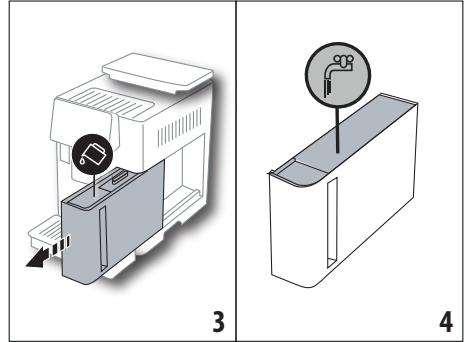
Please note:

- Possible traces of coffee in the mill are the result of settings tests performed on the appliance before sale, proof of the meticulous care and attention we invest in our products.
- The first time you use the appliance, all removable accessories (milk container (D), travel mug (C9), coffee pot (C8), water tank (A20)) destined to come into contact with water or milk should be rinsed with hot water. We recommend washing the milk container in a dishwasher.
- You should customise water hardness as soon as possible following the instructions in section "18. Setting water hardness .

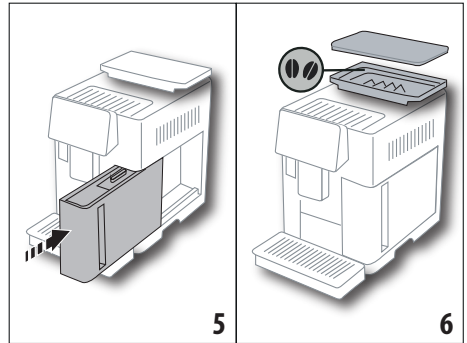


1. Plug the power cord connector (C6) into the socket (A8) at the back of the appliance and connect the appliance to the mains power supply (fig. 1). Make sure the main switch (A7) at the back of the appliance is pressed (fig. 2);
2. Press the flag corresponding to the desired language.

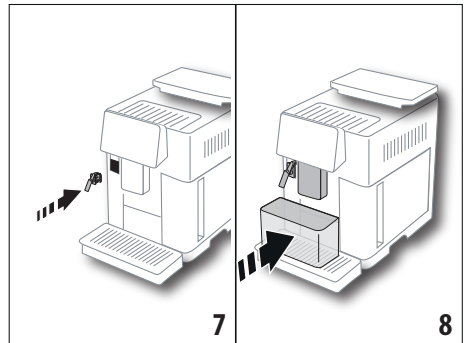
Then follow the instructions which appear on the appliance display (B5):



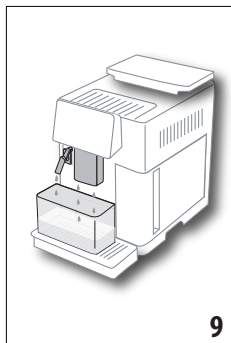
3. Remove the water tank (A20) (fig. 3) and fill to the MAX line (marked on the inside of the tank) with fresh water (fig. 4);
4. Then put the tank back (fig. 5) and confirm by pressing "Next";



5. Fill the beans container (A6) (fig. 6), then confirm by pressing "Next".



6. Insert the descaling spout (C7) (in the Starter Set) on the milk container connector (A13) (fig. 7) and place a container with a minimum capacity of 100 ml under the coffee spouts (A14) and descaling spout (fig. 8);



7. Press "OK" to fill the water circuit: the appliance delivers water from the spouts (fig. 9);
8. At the end of delivery, the appliance proceeds with heating by performing a rinse cycle, delivering hot water from the coffee spouts (A14). When at temperature, the appliance proposes an introductory video explaining the home page (B).

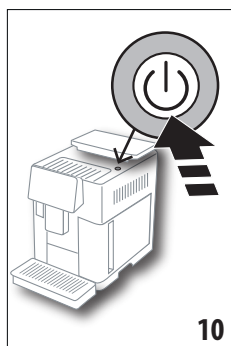
Please note:


- The first time you use the appliance, you need to make 4-5 cappuccinos before the results in the cup will be satisfactory.
- The first time you use the machine, the water circuit is empty and the appliance could be very noisy. The noise becomes less as the circuit fills.
- After turning the appliance on for the first time, remove the spout (C7) and store safely. You will need it to perform certain maintenance operations on the appliance.

4. TURNING THE MACHINE ON

Please note:


- Before turning the appliance on, make sure the main switch (A7) is pressed (fig. 2).
- Each time the appliance is turned on, it performs an automatic preheat and rinse cycle which cannot be interrupted. The appliance is ready for use only after completion of this cycle.



1. To turn the appliance on, press the  button (A9) (fig. 10): the appliance comes on
2. When at temperature, the appliance performs a rinse cycle delivering hot water from the coffee spouts (A14). As well as heating the boiler, this also heats the internal circuits by circulating hot water.

5. TURNING THE APPLIANCE OFF

Whenever the coffee machine is turned off after being used to make coffee, it performs an automatic rinse cycle.

1. To turn the appliance off, press the  button (A9) (fig. 10).
2. If envisaged, the appliance performs a rinse cycle, delivering hot water from the coffee spouts (A14), then goes off (stand-by).

Please note:

If you will not be using the appliance for some time, unplug from the mains socket:

3. Release the main switch (A7) at the back of the appliance (fig. 2).

Important!

Never press the main switch while the appliance is on.

6. MENU SETTINGS

6.1 Rinsing

Use this function to deliver hot water from the coffee/hot water spouts (A14) (and, if inserted, the descaling spout (C7)), to clean and heat the appliance's internal circuit.

Place a container with a minimum capacity of 100ml under the spouts (fig. 8).


To enable the function, proceed as follows:

1. Press the settings menu (B6);
2. Select "Rinsing";
3. Press "OK" to start delivery: after a few seconds, hot water is delivered to clean and heat the appliance's internal circuit (fig. 9);
4. To stop rinsing, press "Cancel" or wait for rinsing to stop automatically.

Please note:

- If the appliance is not used for more than 3-4 days, when you turn it on again, we strongly recommend performing 2-3 rinses before use;
- After cleaning, it is normal for the grounds container (A25) to contain water.

6.2 Descaling



For instructions on descaling, see section "17. Descaling .

6.3 Connectivity

Use this function to enable or disable connectivity. Proceed as follows:

1. Press the settings menu (B6);
2. Select "Connectivity";
3. Press "Next";
4. Enable the Wi-Fi connection and remote control (via the Delonghi Coffee Link App);
5. The appliance PIN, needed to connect by App, is displayed on the screen;
6. Press "<" to save the new selection and go back to the homepage (B).

In the settings menu (B6), the symbol indicating the connection status alternates with the other symbols (e.g. descaling, etc.)

Symbol on homepage	Meaning
	The appliance is connected
	The appliance is connected to the home Wi-Fi, but there is no network, or the cloud cannot be reached
--	Connection disabled. To enable, enter the "Settings" menu" (B6)

Please note:

If remote connection is off, a number of the App's functions will not be available (e.g. beverage delivery).

If you change name of password of the wifi or if you connect to a new wifi network, you need to reset connectivity as follows:

1. proceed as explained from step 1 to 3;
2. press "Reset";
3. press "Ok" to confirm the delating of the network settings;
4. reconnect with the App selecting the new settings.

6.4 Adjust mill

We suggest you access  Bean Adapt Technology in the Coffee Link App to adjust this parameter to an appropriate setting for the coffee beans used

If, on the other hand, you want to adjust the parameter from the settings menu, proceed as follows:

1. Press the settings menu (B6);
2. Select "Adjust mill". A tutorial appears on the display (B5) with suggestions on the grinding level; if you want to skip this presentation, press "Skip" or "Next" to continue with the tutorial;
3. Follow the previous instructions in the tutorial to select the required grinding fineness by pressing directly on one of the selectable numbers in the highlighted interval;
4. Press "OK" to confirm the selection: "The result in the cup will be perceived after about 5 deliveries";
5. Press "OK" to confirm and go back to the homepage (B) with the new selection saved.


Please note:

- After carrying out the above procedure, we recommend delivering at least 5 coffees before adjusting again. If coffee delivery is still not correct, repeat the procedure.
- **You cannot adjust more than one grinding level at a time unless at least two coffee-based beverages have been made.**


- Press "Default" to reset the default values of the coffee mill (indicated by a star).

6.5 Coffee temperature

To change the temperature of the water used to make the coffee, proceed as follows:

1. Press the settings menu (B6);
2. Select "Coffee temperature";
3. Access  Bean Adapt Technology from the App to get the best from this function. If, on the other hand, you want to proceed from the settings menu, press "OK";
4. Select the required temperature from those proposed;
5. Press "<" to save the new selection and go back to the homepage (B).

Please note:

- A different temperature can be set for each profile (see section "14. Guided beverage customisation (My ").
- Varying the temperature has most effect for long beverages.

6.6 Selecting the language

To modify the language of the display (B5), proceed as follows:

1. Press the settings menu (B6);
2. Select "Select language";
3. Press the flag corresponding to the language you want to set (press "Next" or "Back" to display all the languages available). The display is immediately updated with the selected language;
4. Press "<" to save the new selection and go back to the homepage (B).

6.7 Edit profile

You can use this function to modify the image and colour of the icon for each profile. To customise the icon, proceed as follows:

1. Press the settings menu (B6);
2. Select "Edit profile";
3. Select the profile and press "Next";
4. Customise as you wish, then press "OK" to continue.
5. Press "<" to save the new selection and go back to the homepage (B).

Please note:

Depending on the model, 3 or 5 profiles can be customised.

6.8 Auto-off

Auto-off can be set so that the appliance goes off after 15 or 30 minutes, or 1, 2 or 3 hours.

To programme Auto-off, proceed as follows:


1. Press the settings menu (B6);
2. Select "Auto-Off";
3. Select the desired time interval (15 or 30 minutes, or 1, 2 or 3 hours).

4. Press "←" to save the new selection and go back to the homepage (B).


6.9 General

1. Press the settings menu (B6);
2. Select "General";


Here you can enable or disable the following functions with a simple touch:

- "Beep": when enabled, the appliance beeps whenever an operation is performed.
- "Energy saving": use this function to enable or disable energy saving. When enabled, the function reduces energy consumption in compliance with European regulations. When enabled, the  symbol appears on the icon in the settings menu (B6).

6.10 Water filter

For instructions on the filter (C7), see section "19. Water softener filter .

6.11 Water hardness

For instructions on setting water hardness, see section "18. Setting water hardness .

6.12 Default values

This resets all menu settings and user customisation back to the default values (with the exception of the language, which remains as set, and the statistics).

Proceed as follows:

1. Press the settings menu (B6);
2. Select "Default values";
 - To reset the appliance to the default values, press "OK"; otherwise to reset the individual profile, press the arrow to pass to the next screen, select the profile to reset and press "OK";
3. Press "OK" again to confirm the reset to default values;
4. Press "OK" to exit the menu and go back to the homepage (B).

Please note:

When the appliance (not the individual profile) has been reset to the default values, the machine proposes the introductory video again.

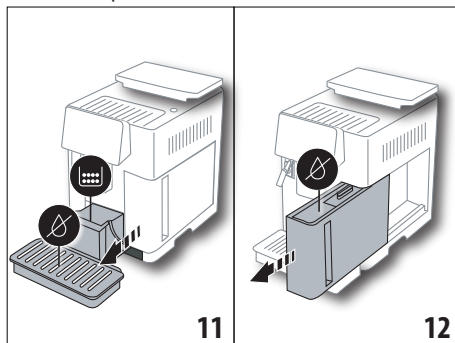
6.13 Emptying the circuit


To avoid the water in the circuit freezing if the appliance is to be left idle for a long period of time, or before taking it to customer services, we recommend emptying the water circuit.

Proceed as follows:

1. Press the settings menu (B6);
2. Select "Empty water circuit";
3. Press "OK" to start the guided procedure;

4. Empty the grounds container (A25) and drip tray (A24) (fig. 11), then press "Next";



5. Insert the spout (C7) on the milk container connector (A13) (fig. 7);
6. Position a 0.5 litre container under the spout (fig. 8). Press "OK";
7. The appliance performs a rinse cycle with hot water from the spouts;
8. At the end of rinsing, remove the water tank (A20) (fig. 12) and empty; if present, remove the water softener filter (C7) from the water tank and press "Next";
9. Put the empty water tank back in the appliance and press "OK";
10. Wait for the appliance to empty the circuit; (Important: hot water from the spouts!). As the water circuit empties, the appliance could become noisier. This is part of normal operation.
11. When the circuit is empty, extract and empty the drip tray, put back in the appliance and press "Next";
12. Press "OK". The appliance goes off (standby).
The next time the appliance is turned on, follow the instructions in section "3. Setting up the appliance .

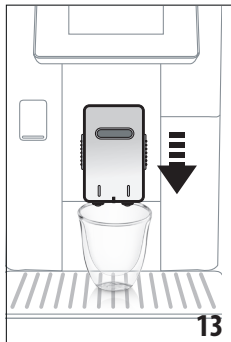
6.14 Statistics

This displays statistics relating to the machine. To view the statistics, proceed as follows:

1. Press the settings menu (B6);
2. Select "Statistics". To display the information and scroll between screens, press "Next" or "Back".
3. Press "←" to go back to the homepage (B).

7. MAKING COFFEE

7.1 Making coffee using coffee beans



Important!

Do not use green, caramelised or candied coffee beans as they could stick to the coffee mill and make it unusable.

1. Place 1 or 2 cups under the coffee spouts (A14);
2. Lower the spouts as near as possible to the cup (fig. 13). This makes a creamier coffee.
3. Select the coffee you want to make as described in the following paragraphs.

7.2 Your coffee at a touch



To deliver coffee-based beverages, press the image on the homepage (B) corresponding to the desired coffee (e.g. espresso, fig. 14). The appliance proceeds with preparation. The image of the selected beverage appears on the display (B5), together with a progress bar which gradually fills as the operation proceeds and a description of each individual phase (grinding, brewing coffee).

At the end of preparation, the message "Your beverage is ready!" appears on the display. The appliance is now ready to be used again.

7.3 Customising the beverages



To make coffee-based beverages with customised parameters, proceed as follows:

1. Press \oplus (B3) at the bottom of the image corresponding to the desired coffee (e.g. espresso, fig. 15). The parameters that can be customised according to your tastes appear on the display (B5):

Quantity	
Aroma	

2. After setting the parameters, press "Start". The appliance starts making the coffee and the image of the selected beverage appears on the display, together with a progress bar which gradually fills as the operation proceeds and a description of each individual phase (grinding, brewing coffee);
3. When delivery has ended, press "Save" to save the new settings, or "Cancel" to retain the previous parameters.

Please note:

If you save the new settings, they are memorised ONLY in the selected profile.

4. Press "OK" to go back to the homepage (B). The appliance is ready to be used again.

7.4 Making coffee using pre-ground coffee

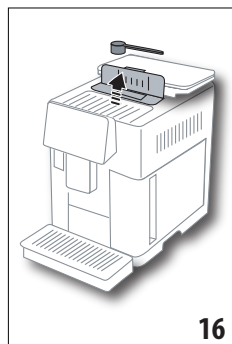
Important!

- Never add pre-ground coffee when the machine is off or it could spread through the inside of the machine and dirty it. This could damage the machine.
- Never use more than 1 level measure (C2) as it could soil the inside of the coffee machine or block the funnel (A3).
- When using pre-ground coffee, only one cup can be made at a time.
- Making **LONG** coffee: halfway through preparation, when requested by the appliance, add one level measure of pre-ground coffee and press "OK".
- You cannot make a **DOPPIO+** coffee using pre-ground coffee.

1. Press \oplus (B3) at the bottom of the image corresponding to the desired coffee (e.g. Espresso, fig. 15). The parameters that can be customised according to your tastes appear on the display (B5);
2. Select pre-ground coffee:

Coffee type	
-------------	--

3. Lift the pre-ground coffee funnel lid (A3), make sure the funnel (A3) is not blocked, then add one level measure (C2) of pre-ground coffee (fig. 16): press "OK";



4. Select the coffee quantity and press "Start". The appliance starts making the coffee and the image of the selected beverage appears on the display, together with a progress bar which gradually fills as the operation proceeds and a description of each individual phase (grinding, brewing coffee).

16

7.5 Bean Adapt Technology & Espresso SOUL

A coffee expert at your fingertips to help you optimise coffee brewing and the result in your cup in just a few steps.

The smart technology automatically adjust the machine according to the coffee beans used - from grinding fineness to brewing, each phase will be regulated to get the best results from the coffee bean.

Download the Coffee Link App to find out more.

Once the settings have been saved in the "Bean Adapt Technology" section of the App, you can use the "Espresso SOUL" beverage on the homepage.

To make espresso coffee, follow the instructions in section "7.2 Your coffee at a touch".

Please note:

You can modify the quantities in the "Espresso SOUL" recipe as described in section "7.3 Customising the beverages".

7.6 General indications for making coffee-based beverages

- While the machine is making coffee, delivery can be interrupted at any moment by pressing "Stop" or "Cancel".
- As soon as delivery has ended, to increase the quantity of coffee, just press "Extra". When the required quantity is reached, press "Stop".
- Various alarm messages may appear on the display (B5) while using the appliance ("FILL TANK WITH FRESH WATER", "EMPTY GROUNDS CONTAINER", "EMPTY DRIP TRAY" etc.). Their meaning is explained in section "21. Displayed messages".
- If the coffee emerges drop-by-drop, too weak and not creamy enough, or too cold, read the tips in sections "6.4 Adjust mill" and "22. Troubleshooting".
- If "Energy Saving" mode is active, you may have to wait a few seconds before the first coffee is delivered

7.7 Tips for a hotter coffee

For hotter coffee, proceed as follows:

- perform a rinse cycle by selecting "Rinsing" in the settings menu (B6) (section "6.1 Rinsing");

- warm the cups with hot water using the hot water function (see section "13. Delivering hot water");
- increase the coffee temperature (section "6.5 Coffee temperature").

8. COFFEE POT

Based on espresso coffee, this beverage is light and balanced, with a fine layer of froth, ideal to share in company.

Optional accessory in certain models:

	Pot (capacity 1 litre)
	Type: DLSC021
	EAN: 8004399333642

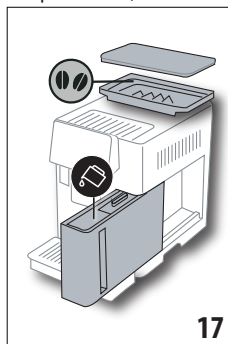
To make the beverage, proceed as follows:

- On the homepage (B), press the image corresponding to the coffee pot;
- Select the taste required for each single cup and the number of cups required:

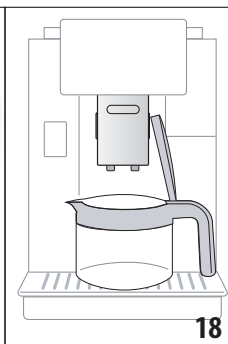
Taste per single cup	Quantity in cup*	Number of cups
Extra mild	Extra-large cup (≈ 250 ml)	from 1 to 3
Mild	Large cup (≈ 190 ml)	from 1 to 4
Medium	Medium cup (≈ 150 ml)	from 1 to 5
Strong	Small cup (≈ 125 ml)	from 1 to 6

* The quantities indicated are approximate and may vary according to the type of coffee.

- Press "Next" to move on to the next step;
- Fill the tank (A20) with water and fill the beans container (A6) (fig. 17). Once you have made sure there is sufficient water and coffee for the beverages you want to prepare, press "Next";



17



18

- Place the coffee pot (C8) under the spouts (fig. 18). Press "OK";
- The appliance proceeds with delivery and the image of the selected beverage appears on the display (B5), together with a progress bar which gradually fills as the operation proceeds and a description of each individual phase (grinding, brewing coffee).

Please note:

"Cancel" or "Stop": press to stop preparation completely and go back to the homepage.

- When delivery has ended, press "Save" to save the new settings, or "Cancel" to retain the previous parameters.
- Press "OK" to go back to the homepage (B).

The appliance is ready to be used again.

Please note:

If you save the new settings, they are memorised ONLY in the selected profile.

SAFETY WARNING:

After making a pot of coffee, leave the appliance to cool for 5 minutes before making another beverage. Risk of overheating!

8.1 Cleaning the coffee pot

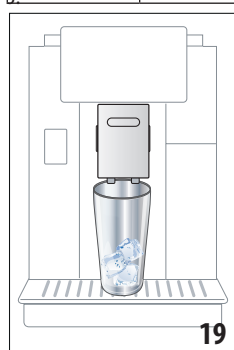
After each use, you should clean the coffee pot with hot water and mild washing up liquid. Rinse thoroughly with hot water to eliminate all detergent residues.

9. OVER ICE (ECAM61X.7Y only)

To make the beverage, proceed as follows:

- On the homepage (B), press the image corresponding to over ice:
- Select the parameters to be customised according to your tastes by pressing "Next" after each selection:

Aroma	
Quantity	



- Place the ice cubes in the glass (suggested quantity: 6 cubes);
- Place the glass under the coffee spouts (A14) (fig. 19) and press "OK". The appliance starts making the coffee and the image of the selected beverage appears on the display, together with a progress bar which gradually fills

as the operation proceeds and a description of each individual phase (grinding, brewing coffee);

Please note:

- "Cancel" or "Stop": press to stop preparation completely and go back to the homepage.
 - As soon as delivery has ended, to increase the quantity of coffee, just press "Extra". When the required quantity is reached, press "Stop".
- When delivery has ended, press "Save" to save the new settings, or "Cancel" to retain the previous parameters.

Please note:

If you save the new settings, they are memorised ONLY in the selected profile.

- Press "OK" to go back to the homepage (B). The appliance is ready to be used again.

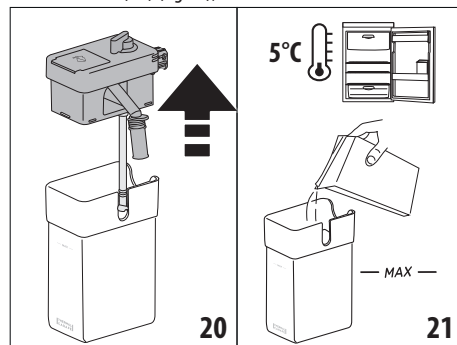
10. MAKING MILK-BASED BEVERAGES

Please note:

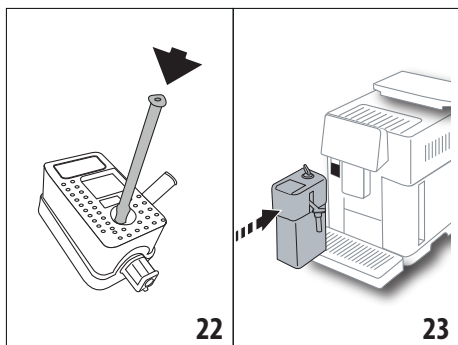
To avoid milk with poor froth or large bubbles, always clean the milk container (D) as described in sections "10.5 Cleaning the milk container after use" and "16.10 Cleaning the milk container (D)".

10.1 Filling and attaching the milk container

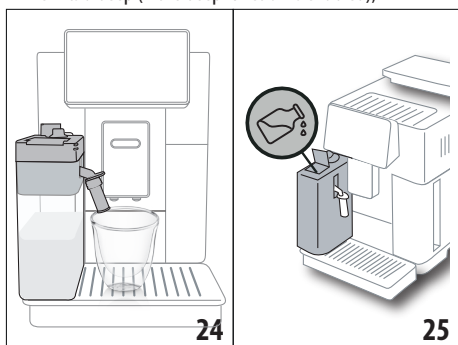
- Lift the lid (D1) (fig.20);



- Fill the milk container (D10) with a sufficient quantity of milk, not exceeding the MAX level marked on the container (fig. 21). Each mark on the container corresponds to about 100 ml of milk;
- Make sure the milk intake tube (D9) is correctly inserted on the bottom of the milk container lid (fig. 22);



4. Put the lid back on the milk container;
5. Attach the milk container (D) to the connection nozzles (A13) and push as far as it will go (fig. 23). The machine emits a beep (if the beep function is enabled);



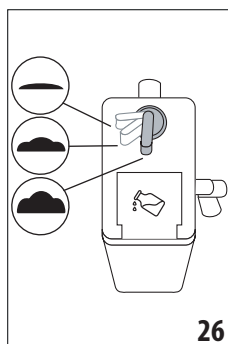
6. Place a sufficiently large cup under the coffee spouts (A14) and milk spout (D7) (fig. 24). To lengthen the milk spout, adjust the extension (D8);
7. Select the desired beverage as described in the following paragraphs.

Please note:




- The milk container lid incorporates a refill lid (D2) to top up the milk (fig. 25). If during preparation you notice that the level of the milk is low, add milk through the refill lid without extracting the container, then complete preparation of the beverage.
- For a denser more even froth, you must use skimmed or partially skimmed milk at refrigerator temperature (about 5°C).
- **ECAM61X.7Y:** When using milk at the ideal temperature (about 5°C), the thermal casing guarantees the efficiency of the MilkCream system for about 30 minutes outside the refrigerator.
- If "Energy Saving" mode is enabled (see section "6.9 General"), you may have to wait a few seconds before the beverage is delivered.

- The quality of the froth will vary depending on:
 - type of milk or vegetable beverage;
 - brand used;
 - ingredients and nutritional value.

10.2 Adjusting the amount of froth



Turn the froth adjustment dial (D3) (fig. 26) to adjust the amount of froth on the milk delivered while making cappuccinos and milk-based coffees.

Dial position	Description	Recommended for...
	No froth	HOT MILK (not frothed) / CAFFELATTE
	Min. froth	CORTADO / FLAT WHITE
	Max. froth	CAPPUCCINO/ CAPPUCCINO+ / CAPPUCCINO MIX/ ESPRESSO MACCHIATO/ LATTE MACCHIATO / LATTE CALDO (frothed)

10.3 Your milk-based beverage at a touch

To deliver milk-based beverages, on the homepage (B), press the image corresponding to the desired beverage. The appliance proceeds with preparation and the image of the selected beverage appears on the display (B5), together with a progress bar which gradually fills as the operation proceeds and a description of each individual phase (grinding, brewing coffee, milk delivery, etc.).


At the end of preparation, the message "Your beverage is ready!" appears on the display. The appliance is now ready to be used again.




Please note:

As soon as delivery has ended, to increase the quantity of coffee, just press "Extra". When the required quantity is reached, press "Stop".

10.4 Customising the beverages

To deliver a customised milk-based beverage, proceed as follows:

1. Press  (B3) at the bottom of the image corresponding to the desired beverage. The parameters that can be customised according to your tastes appear on the display (B5):

Quantity	
Aroma	
Coffee type	

2. After setting the parameters, press "Start";
3. The appliance proceeds with preparation and the image of the selected beverage appears on the display, together with a progress bar which gradually fills as the operation proceeds and a description of each individual phase (grinding, milk delivery, brewing coffee, etc.).
4. When delivery has ended, press "Save" to save the settings, or "Cancel" to retain the previous parameters.

Please note:

If you save the new settings, they are memorised ONLY in the selected profile.

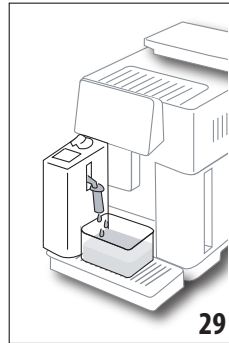
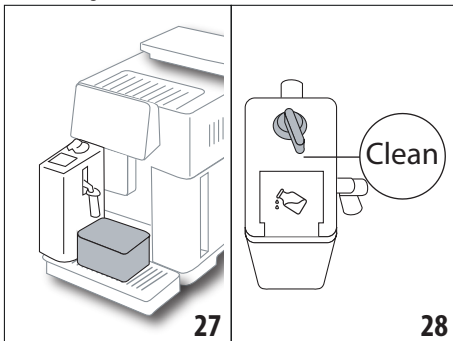
5. Press "OK" to go back to the homepage (B).

The appliance is ready to be used again.

10.5 Cleaning the milk container after use


Each time you make a milk-based beverage, a request to clean the milk frother appears on the display (B5). To start cleaning, proceed as follows:

1. Leave the milk container (D) in the machine (you do not need to empty it);
2. Place a cup or other recipient under the frothed milk spout (D7) (fig. 27);



3. Turn the froth adjustment dial (D3) to "Clean" (fig. 28). Hot water and steam are delivered from the milk spout (fig. 29). Cleaning stops automatically;
4. Turn the dial back to one of the froth selections;
5. Remove the milk container and place in the refrigerator.

Please note:

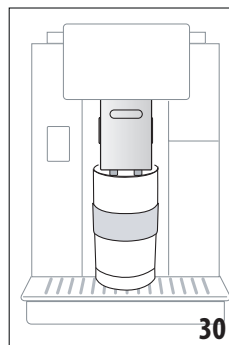
- To prepare a number of cappuccinos and milk based coffees, clean the milk container after you have prepared the last beverage only. To proceed with making the next beverages, when the "Clean" message is displayed, press "Cancel".
- If you do not clean the milk container, the  symbol (B8) appears on the display to remind you that cleaning is required.
- The milk container can be kept in the refrigerator.
- In some cases, to clean you must wait for the appliance to heat up.
- To ensure correct cleaning, wait for the CLEAN function to end. You can, however, interrupt cleaning of the milk container by pressing "Stop".

11. MUG TO GO (ECAM61X.7Y only)

The Mug to Go function is perfect for all those wanting to create a customised beverage to take with them. Choose the ingredients (coffee only, coffee with milk or coffee with hot water) and the delivery order, then customise the quantity.

To make the beverage, proceed as follows:

1. Remove the lid from the travel mug (C9);
 2. Raise the coffee spouts (A14) and place the travel mug container underneath (fig. 30);
 3. On the homepage (B), press the image corresponding to the Mug to Go function;
- If the beverage has already been saved, the appliance proceeds with preparation.



If you are making the beverage for the first time, proceed as follows:

- Select up to 2 ingredients in the required order of delivery, then press "Next";
 - Select the preferences for the selected ingredients, then press "Next";
 - Press "OK" to start preparation;
 - When the required quantity of the ingredient being delivered is reached, press "Stop";
 - When delivery has ended, press "Save" to save the recipe, or "Cancel" if you do not want to save it
 - Press "OK" to go back to the homepage .
- The appliance is ready to be used again.

Table of quantities programmable for each single ingredient (make sure the total quantity of the 2 ingredients does not exceed the capacity of the travel mug)		
Ingredient	Minimum quantity	Maximum quantity
Coffee	40 ml	240 ml
Milk	50 ml	470 ml
Water	50 ml	260 ml

Please note:

- If you save the new settings, they are memorised ONLY in the selected profile.
- For best performance, heat the mug with hot water.
- You should only use the travel mug for the beverages present in the machine.
- Recipes using the milk container (D):** at the end of preparation, clean the milk container (see section "10.5 Cleaning the milk container after use"), then place in the refrigerator.
- To use a travel mug other than the one supplied, make sure it is no taller than 14 cm.

Important

- Do not use for baby milk preparations.
- You should use the contents within a maximum of 2 hours. After that time, empty and clean as described in the following section.

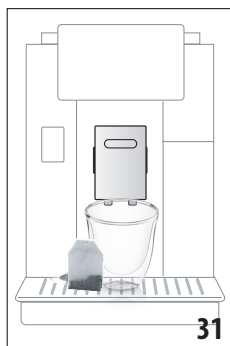
11.1 Cleaning the travel mug after use

For hygiene reasons, the travel mug (C9) should always be cleaned after use.

Proceed as follows:

- Open the travel mug and rinse the container and lid with hot drinking water (40°C).
- Remove visible dirt with a sponge.
- Immerse all the components in hot water at 40°C with mild/neutral washing up liquid for at least 30 minutes, then rinse thoroughly with water at 40°C. Do not use scented detergents.

- Clean the inside of the container with mild/neutral washing-up liquid and rinse with hot drinking water at 40°C. Do not use abrasive materials as these could damage the surface of the container.
- Dry all the components with a clean, dry cloth or absorbent paper, then reassemble.

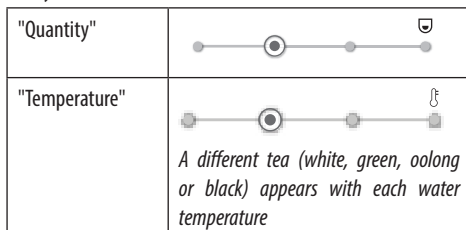


- Each week, wash the lid in a dishwasher. The travel mug container is not dishwasher safe.

12. TEA FUNCTION

To make tea, proceed as follows:

- Place the teabag in the cup and position it under the spout (A14) (fig. 31);
 - On the homepage (B), press the image corresponding to the tea function;
- Adjust the parameters that can be customised according to your tastes:



- Press "Start" to begin delivery: the appliance proceeds with preparation and the image of the beverage appears on the display (B5) together with a progress bar which gradually fills as the operation proceeds and a description of the phase (water delivery);
- When delivery has ended, press "Save" to save the settings, or "Cancel" to retain the previous parameters;
- Press "OK" to go back to the homepage .

The appliance is now ready to be used again.

Please note:

- If you save the new settings, they are memorised ONLY in the selected profile.
- If "Energy Saving" mode is active, you may have to wait a few seconds before the hot water is delivered.
- To stop delivery manually, press "Stop" or "Cancel".
- As soon as delivery has ended, to increase the quantity of water in the cup, just press "Extra". When the required quantity is reached, press "Stop".

13. DELIVERING HOT WATER

To deliver hot water, proceed as follows:

1. Place a cup under the spout (A14).
2. Select the function as described in the following paragraphs.

13.1 Your beverage at a touch

On the homepage (B), press the image corresponding to hot water. The appliance proceeds with preparation and the image of the beverage appears on the display (B5) together with a progress bar which gradually fills as the operation proceeds and a description of the phase (water delivery).


At the end of preparation, the message "Your beverage is ready!" appears on the display. The appliance is now ready to be used again.

Please note:

As soon as delivery has ended, to increase the quantity of water in the cup, just press "Extra". When the required quantity is reached, press "Stop".

13.2 Customising the beverages

To deliver the desired quantity of hot water, proceed as follows:

1. Press  (B3) at the bottom of the image corresponding to hot water: the quantity to be customised according to your tastes appears on the display (B5):




2. After selecting the quantity, press "Start": The appliance proceeds with preparation and the image of the beverage appears on the display together with a progress bar which gradually fills as the operation proceeds and a description of the phase (water delivery).
3. When delivery has ended, press "Save" to save the settings, or "Cancel" to retain the previous parameters.
4. Press "OK" to go back to the homepage .

The appliance is now ready to be used again.



Please note:

- If "Energy Saving" mode is active, you may have to wait a few seconds before the hot water is delivered.
- To interrupt delivery of hot water manually, press "Stop" and "Cancel".
- As soon as delivery has ended, to increase the quantity of coffee, just press "Extra". When the required quantity is reached, press "Stop".

14. GUIDED BEVERAGE CUSTOMISATION (MY)

You can use this function to customise all beverages with the MY symbol at the bottom of the image in beverage settings (on the homepage (B), press  at the bottom of the image

corresponding to the required beverage). To customise, proceed as follows:

1. Make sure the profile (B2) for which you want to customise the beverage is active;
2. Press  (B3) at the bottom of the image corresponding to the desired beverage;
3. Press  at the bottom of the image corresponding to the beverage;
4. Press "OK" to follow the guided procedure;
5. Select your preference and press "Next" to move on to the next step (or "Back" to go back to the previous screen);
6. Press "OK" to begin delivery;
7. Preparation begins and the appliance displays the quantity customising screen in the form of a vertical bar (in the case of beverages with more than one ingredient, customise both ingredients).
8. When the quantity reaches the minimum amount you can set, "Stop" appears on the display (B5).
9. When the required quantity has been delivered into the cup, press "Stop".
10. If you are satisfied with the result in the cup, press "Save" to save the settings, or "Cancel" to retain the previous parameters.
11. Press "OK" to go back to the homepage .

The appliance goes back to the homepage.

Please note:


- If you save the new settings, they are memorised ONLY in the selected profile.
- When you customise a single beverage, the respective double version is also customised and the appliance displays the message "Settings saved on both double and single option";
- You can also customise the beverages by connecting with the DeLonghi Coffee Link App.
- Press "Cancel" to exit programming at any moment. The values will not be saved.
- When a beverage has been customised, "Reset" (under the image) and "my" (among the quantity selections) appear in the settings. Press "Reset" to reset the default values for the beverage.

Beverage quantity table		
Beverage	Standard quantity	Programmable quantity
ESPRESSO	40 ml	20-180 ml
IDEAL ESPRESSO	40 ml	30-60 ml
2X ESPRESSO	40 ml + 40 ml	20-180 ml + 20-180 ml

COFFEE	180 ml	100-240 ml
LONG	160 ml	115-250 ml
DOPPIO+	120 ml	80-180 ml
AMERICANO	150 ml	70-480 ml
TEA	150 ml	20-420 ml
HOT WATER	250 ml	20-420 ml
61x.7y models only		
LONG BLACK	200 ml	90-480 ml
OVER ICE	100 ml	40-240 ml

15. SELECTING YOUR PERSONAL PROFILE

According to the model, you can memorise 3 or 5 different profiles, each associated with a different icon.

The customised beverage settings are saved in each profile (see section "14. Guided beverage customisation (My) "). The order in which all the beverages are displayed is based on the frequency of selection.

To select a profile, proceed as follows:

1. From the homepage (B), press the profile currently in use (B2). A list of selectable profiles appears;
2. Then select the required profile.

Please note:

- After making your selection, the beverage settings bars will all appear in the same colour as the profile;
- You can rename your personal profile by connecting with the DeLonghi Coffee Link App;
- To customise the profile icon, see section "6.7 Edit profile".

16. CLEANING

16.1 Cleaning the machine

The following parts of the machine must be cleaned regularly:

- the appliance's internal circuit;
- coffee grounds container (A25);
- drip tray (A24) and drip tray grille (A22);
- water tank (A20);
- coffee spouts (A14);
- pre-ground coffee funnel (A3);
- infuser (A11), accessible after opening the infuser door (A10);
- milk container (D).

Important!

- Do not use solvents, abrasive detergents or alcohol to clean the coffee machine. With De'Longhi superautomatic coffee machines, no chemical products are required for cleaning purposes.
- The following components are dishwasher safe:

- milk container (D)
- grounds container (A25)
- drip tray (A24)
- drip tray grille (A22)
- coffee spouts (A16) and (A17)
- Do not use metal objects to remove encrustations or coffee deposits as they could scratch metal or plastic surfaces.

16.2 Cleaning the internal circuit

If the appliance is not used for more than 3/4 days, before using it again, we strongly recommend switching it on and performing 2/3 rinse cycles by selecting the "Rinse" function (section "6.1 Rinsing").

Please note:

After cleaning, it is normal for the grounds container (A25) to contain water.

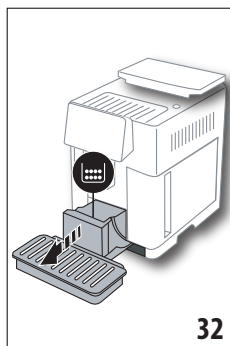
16.3 Cleaning the coffee grounds container

When "Empty grounds container" appears on the display (B5), the grounds container must be emptied and cleaned. The appliance cannot be used to make coffee until you have cleaned the grounds container (A25). Even if not full, the empty grounds container message is displayed 72 hours after the first coffee has been prepared. For the 72 hours to be calculated correctly, the machine must never be turned off with the main switch (A7).

Important! Danger of burns

If you make a number of milk-based beverages one after the other, the metal cup tray (A21) becomes hot. Wait for it to cool down before touching it and handle it from the front only.

To clean (with the machine on):



1. Remove the drip tray (A24) and grounds container (A25) (fig. 32);
2. Empty the drip tray and grounds container and clean thoroughly to remove all residues left on the bottom. This can be done using the spatula on the brush (C5) provided.
3. Put the drip tray complete with grille and grounds container back in the appliance.

Important!

When removing the drip tray, the grounds container must be emptied, even if it contains few grounds. If this is not done,

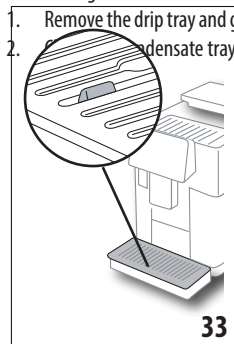
when you make the next coffees, the grounds container will fill up more than expected and clog the machine.

16.4 Cleaning the drip tray and drip tray grille

Important!

The drip tray (A24) is fitted with a level indicator (A23) (red) showing the amount of water it contains (fig. 33). Before the indicator protrudes from the cup tray (A21), the drip tray must be emptied and cleaned, otherwise the water may overflow the edge and damage the appliance, the surface it rests on or the surrounding area. To remove the drip tray, proceed as follows:

1. Remove the drip tray and grounds container (A25) (fig. 32);
2. Remove the condensate tray (red) and empty if necessary;
3. Remove the cup tray (A21), and drip tray grille (A22), then empty the drip tray and grounds container and wash all components.
4. Put the drip tray complete with grille and grounds container back in the appliance.



Important!

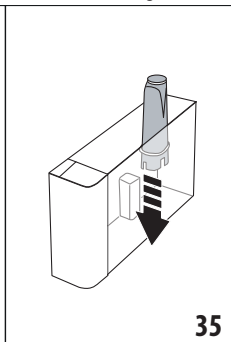
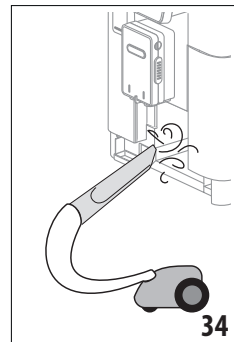
When removing the drip tray, the grounds container must be emptied, even if it contains few grounds. If this is not done, when you make the next coffees, the grounds container will fill up more than expected and clog the machine.

16.5 Cleaning the inside of the machine

Danger of electric shock!

Before cleaning internal parts, the machine must be turned off (see section "5. Turning the appliance off") and unplugged from the mains power supply. Never immerse the machine in water.

1. Check regularly (about once a month) that the inside of the appliance (accessible after removing the drip tray (A24)) is not dirty. If necessary, remove coffee deposits with the brush (C5) supplied and a sponge.
2. Remove all residues with a vacuum cleaner (fig. 34).



16.6 Cleaning the water tank

Clean the water tank (A20) regularly, about once a month and whenever you replace the water softener filter (C7).

1. Remove the water tank (fig. 3), remove the water softener filter (if present) and rinse it with running water;
2. Empty the water tank and clean with a damp cloth and a little washing up liquid. Rinse thoroughly with water;
3. Put the filter back in the appliance (fig. 35), fill the tank with fresh water up to the MAX level (marked inside) (fig. 4), put the tank back (fig. 5);
4. (models with water softener filter only) Deliver 100ml of hot water to reactivate the filter.

Please note:

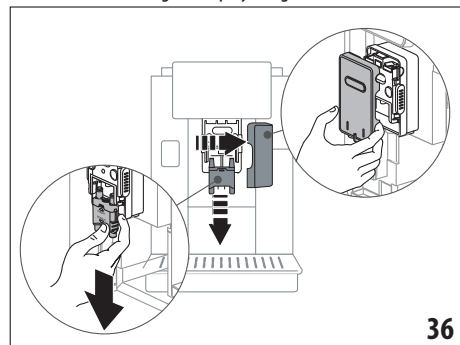
If the appliance is not used for more than 3-4 days, you should clean the tank as described above.

16.7 Cleaning the coffee spouts

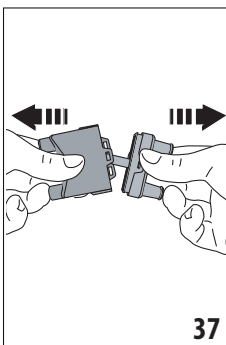
Clean the coffee spouts (A16) and (A17) when requested by the appliance (about once a month) as described below.

Please note:

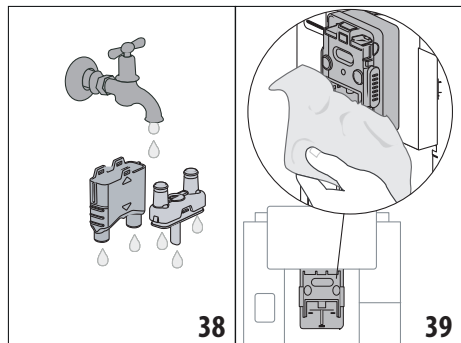
To clean later, press "Cancel". The next time the appliance is turned on, the message is displayed again.



1. Remove the central outlet cover (A15) by pulling outwards, then remove the coffee spouts downwards (fig. 36). Press "Next";



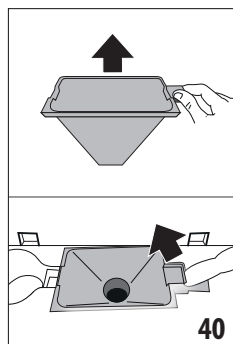
2. Separate the two spouts (A16) and (A17) (fig. 37);
3. Rinse the spouts with running water (fig. 38). We recommend washing in a dishwasher. Alternatively, wash thoroughly with warm water and mild washing-up liquid;
4. Clean the seat of the removable spouts with a sponge (fig. 39);



5. Reassemble the spouts, then attach them to the central outlet. Make sure the word "INSERT" is at the top and is visible when the spouts have been inserted;
6. Replace the central outlet cover.
7. Press "OK" to confirm cleaning.

16.8 Cleaning the pre-ground coffee funnel

Clean the pre-ground coffee funnel (A3) regularly (about once a month) with a damp cloth. Proceed as follows:



1. Open the lid (A2) (fig. 16);
2. Extract the funnel (fig. 40) and clean with the brush provided (C5);
3. If necessary, clean the funnel with hot water and washing up liquid or in a dishwasher;
4. Put the funnel back in the appliance;
5. Close the lid.

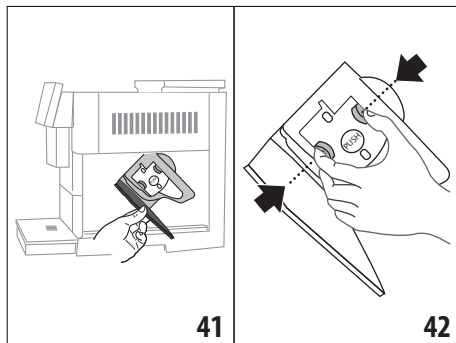
16.9 Cleaning the infuser

The infuser (A11) must be cleaned at least once a month.

Important!

The infuser cannot be removed when the machine is on.

1. Make sure the machine is correctly turned off (see section "5. Turning the appliance off");
2. Remove the water tank (A20) (fig. 4);
3. Open the infuser door (A10) (fig. 41) on the right side of the appliance;

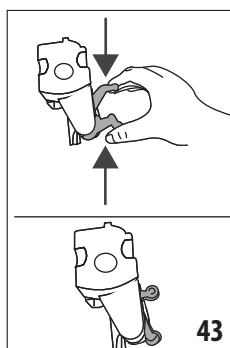


4. Press the two coloured release buttons inward and at the same time pull the infuser outward (fig. 42);
5. Soak the infuser in water for about 5 minutes, then rinse under the tap;

Important!

RINSE WITH WATER ONLY

NO WASHING UP LIQUID - NO DISHWASHER



6. Clean the infuser without using washing up liquid as it could be damaged.
7. Use the brush (C5) to remove any coffee residues left in the infuser housing, visible through the infuser door;
8. After cleaning, replace the infuser by sliding it onto the internal support, then push the PUSH symbol fully in until it clicks into place;

Please note:

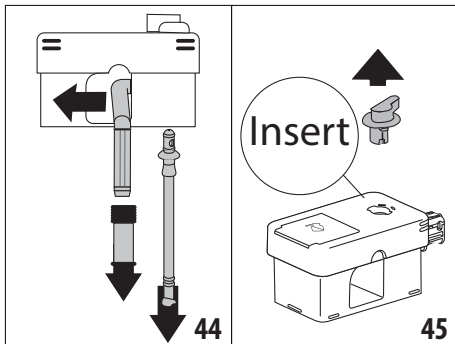
If the infuser is difficult to insert, before insertion, adapt it to the right size by pressing the two levers (fig. 43).

9. Once inserted, make sure the two coloured buttons have snapped out;
10. Close the infuser door;
11. Put the water tank back.

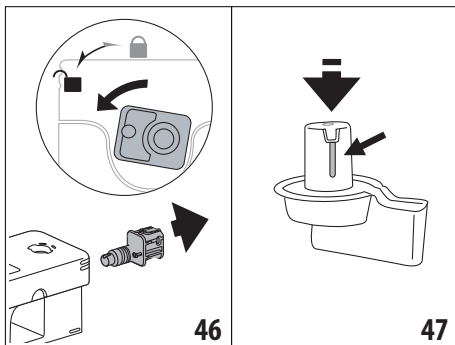
16.10 Cleaning the milk container (D)

Clean the milk container each time you prepare milk as described below:

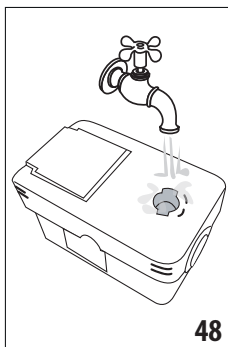
1. Lift the milk container lid (D1) (fig. 20);
2. Remove the milk spout (D7), milk spout extension (D8) and milk intake tube (D9) (fig. 44);



3. Turn the froth adjustment dial (D3) clockwise to the "Insert" position (fig. 45) and pull;
4. Turn and remove the milk container connector (D5)(fig. 46).



5. All components and the container are dishwasher safe, placing them in the top basket. If you do not have a dishwasher, wash by hand as described in the note at the end of the section.
6. Make sure there are no milk residues on the hollow and groove under the dial (fig. 47):



- If necessary, scrape the groove with a toothpick;
7. Rinse inside the froth adjustment dial seat and milk container connector hole with running water (fig. 48);
 8. Check that the intake tube and spout are not clogged with milk residues;
 9. Reassemble all the lid components;
 10. Attach the lid back on the milk container.

Please note: washing by hand

Washing in a dishwasher guarantees the perfect hygiene of all the milk container components. When washing by hand, wash all components of the milk container thoroughly with hot water and immerse them in a basin of hot water for 30 minutes before proceeding as described in point (6).

17. DESCALING

Important!

- Before use, read the instructions and the labelling on the descaler pack.
- It is important to use De'Longhi descaler only. Using unsuitable descaler and/or performing descaling incorrectly may result in faults not covered by the manufacturer's guarantee.
- Descaler could damage delicate surfaces. If the product is accidentally spilt, dry immediately.

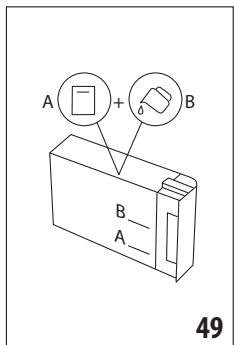
To descale	
Descaler	De'Longhi descaler
Container	Recommended capacity: 2 l
Time	~50min

Descalce the appliance when the corresponding message appears on the display (B5). To descalce the appliance immediately, press "OK" and follow the instructions from point (8).

To descalce the appliance later, press "Cancel". The symbol (B7) appears on the homepage (B) to remind you that the appliance needs descaling. (The message appears each time you turn the appliance on).

To access the descaling menu:

1. On the display, press the settings menu icon (B6);
2. Select "Descalce";
3. Press "Next" to enter the guided descaling procedure;
4. Press "OK" to start;
5. Insert the hot water spout (C7) (fig. 7);
6. Remove and empty the drip tray (A24) and coffee grounds container (A25) (fig. 11), then put both back in the appliance and press "Next";
7. Remove the water tank(A20), lift the lid(A19) and (if inserted) remove the filter(C7);
8. Pour the descaler into the tank up to the level A marked inside the tank (equal to one 100ml packet), then add water (1 litre) up to level B (fig. 49). Put the water tank (with lid) back in the appliance, close the front door and press "Next";
9. Place an empty 2 litres container under the spouts (fig. 8). Press OK to start descaling ("Back" to go back to the previous screen or "Cancel" to exit the procedure, remembering to remove the descaling solution from the tank)



Important! Danger of scalding

Hot water containing acid flows out of the spouts. Take care to avoid contact with splashes of this solution.

- The descale programme starts and the descaler liquid comes out of the descaling spout and coffee/hot water spouts (fig. 9).

A series of rinses is performed automatically to remove all the scale residues inside the coffee machine;

After about 30 minutes, descaling stops;

- The appliance is now ready for rinsing through with clean water. Empty the container used to collect the descaler solution. Remove the water tank, empty, rinse under running water, fill with fresh water up to the MAX level and put back in the appliance. Press "Next";
- Place the container used to collect the descaler solution empty under the spouts and press "OK" to start rinsing;
- Hot water is delivered from both the descaling spout and coffee/hot water spouts;
- When the water in the tank has run out, empty the container used to collect the rinsing water;
- Extract the water tank and put back the water softener filter if removed previously. Press "Next" to continue;
- Fill the tank with fresh water up to the MAX level, put back in the appliance and press "Next" to continue;
- Place the container used to collect the descaler solution empty under the spouts and press "OK" to start another rinsing cycle;
- Rinsing starts;
- When the water in the tank has run out, empty the container used to collect the rinsing water, remove and empty the drip tray (A24) and grounds container (A25), then put back in the appliance;
- Extract the water tank, top up to the max level, put back in the appliance and press "Next"
- The descaling process is now complete. Press "OK". The appliance performs a rapid preheat cycle and then goes back to the homepage.

Please note:

- If the descaling cycle is not completed correctly (e.g. no electricity) we recommend repeating the cycle;
- After descaling, it is normal for the grounds container (A25) to contain water.
- If the water tank has not been filled to the MAX level at the end of descaling, the appliance requests a third rinse to

guarantee that the descaler solution has been completely eliminated from the machine's internal circuits. Before starting rinsing, remember to empty the drip tray.

18. SETTING WATER HARDNESS

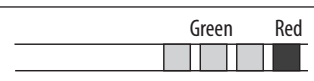

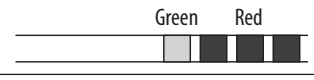

The descaling alarm is displayed after a period of time established according to water hardness. The machine is set by default for a hardness value of "Level 4". The machine can also be programmed according to the hardness of the mains water in the various regions so that the machine needs to be descaled less often.

18.1 Measuring water hardness

- Remove the "Total hardness test" indicator paper (C1) from its pack (attached to the Quick Guide).
- Immerse the paper completely in a glass of water for one second.
- Remove the paper from the water and shake lightly. After about a minute, 1, 2, 3, or 4 red squares form, depending on the hardness of the water. Each square corresponds to one level.

18.2 Setting water hardness

- On the display (B5), press the settings menu icon (B6);
- Select "Water hardness";
- Carry out the procedure described in the previous section and measure water hardness;
- Press the dot corresponding to the water hardness measured previously as indicated in the following table:

Total Hardness test (C1)	Water hardness
	Level 1
	Level 2
	Level 3
	Level 4

- The machine is now reprogrammed with the new water hardness setting.
- Press "<" to go back to the homepage (B).

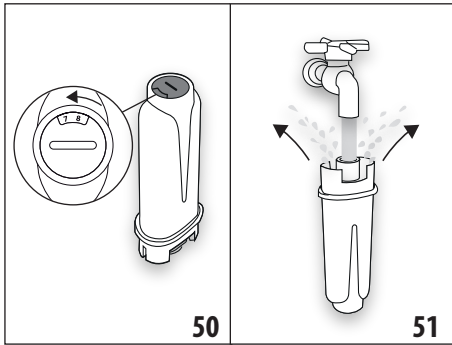
19. WATER SOFTENER FILTER

Certain models are fitted with a water softener filter (C7). If this is not the case with your model, you are recommended to purchase one from De'Longhi Customer Services.

To use the filter correctly, follow the instructions below.

19.1 Installing the filter

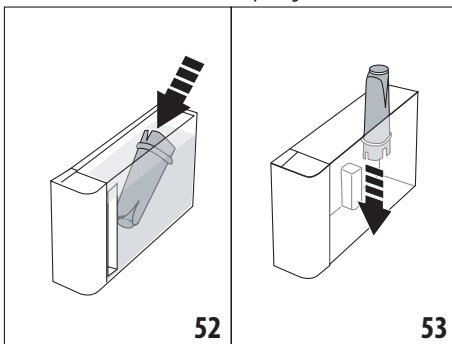
1. Press the settings menu (B6);
2. Select "Water filter";
3. Press "OK" to enter the guided procedure
4. Remove the filter from the packaging and turn the date indicator to view the next two months (fig. 50);



Please note:

The filter lasts about two months if the appliance is used normally. If the coffee maker is left unused with the filter installed, it will last a maximum of three weeks.

5. Press "Next" to continue ("Back" to go back to the previous screen; "Cancel" to cancel the operation);
6. To activate the filter, run tap water through the hole in the centre of the filter (fig. 51) until it comes out of the openings at the side for more than a minute. Press "Next";
7. Extract the water tank (A20) (fig. 3) and fill with water; insert the filter in the water tank and immerse it completely for about ten seconds, sloping it and pressing it lightly to enable the air bubbles to escape (fig. 52). Press "Next";



8. Insert the filter in the filter housing (fig. 53) and press as far as it will go; press "Next";
9. Close the tank with the lid (A19), then put the tank back in the machine (fig. 5).
10. Insert the descaling spout (C7). Press "Next";

11. Position an empty container with a minimum capacity of 0.5 litres under the descaling spout (fig. 8) and press "OK" to activate the filter;
12. The appliance delivers hot water, then stops automatically. Press "OK" to go back to the homepage (B);
13. The filter is now active and you can use the coffee machine.

19.2 Replacing the filter

Replace the filter (C7) when the corresponding message appears on the display (B5). To replace the filter immediately, press "OK" and follow the instructions from point 4. To replace the filter later, press "Cancel". The symbol (B9) appears on the display to remind you that the filter needs replacing.

To replace, proceed as follows:

1. Press the settings menu (B6);
2. Select "Replace water filter" and press "Next";
3. Press "OK" to enter the guided procedure;
4. Extract the water tank (A20) and exhausted filter. Press "Next" to continue ("Back" to go back to the previous screen; "Cancel" to cancel the operation);
5. Follow the operations described in the previous section from point (4).

Please note:

After two months (see date indicator) or when the appliance has not been used for 3 weeks, you should replace the filter even if the message has not yet been displayed.

19.3 Removing the filter

If you want to use the appliance without the filter (C7), you must remove it and notify the appliance of its removal. Proceed as follows:

1. Press the settings menu (B6);
2. Select "Remove water filter" and press "Next";
3. Extract the water tank (A20) and exhausted filter. Put the tank back in the appliance (fig. 6);
4. Press "OK" to confirm removal of the filter;
5. The change has been saved. Press "OK" to go back to the homepage (B).

Please note!

After two months (see date indicator) or when the appliance has not been used for 3 weeks, you should replace the filter even if the message has not yet been displayed.

20. TECHNICAL DATA

Voltage:	220-240 V ~ 50-60 Hz max. 10 A
Power:	1450 W
Pressure:	1.9 MPa (19 bars)
Water tank capacity:	2.2 l
Size LxDxH:	262x485x390 mm
Cord length:	1750 mm
Weight (depending on models):	13 / 12,2 kg

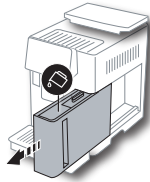
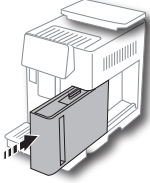
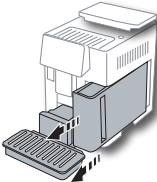
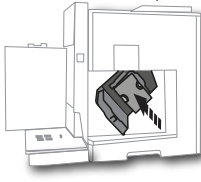
Beans container capacity: 500g
 Frequency: 2400 - 2500 MHz
 Maximum transmission power: 20 mW

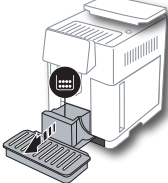
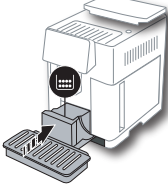
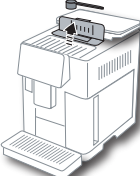
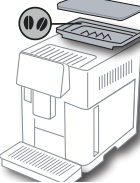
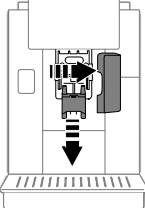
De'Longhi reserves the right to modify the technical specification and styling of its products at any moment, without compromising their functionality and quality.

20.1 Tips for Energy Saving

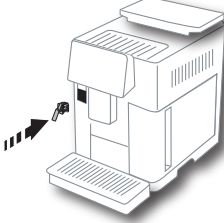
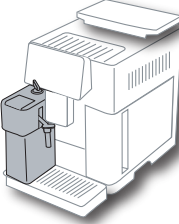
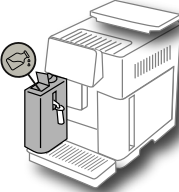
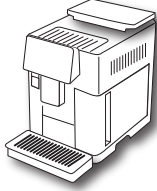

- To reduce energy consumption, after delivering one or more beverages, remove the milk container (D) or accessories.
- Set auto-off to 15 minutes (see section “6.8 Auto-off”);
- Enable Energy Saving (see paragraph “6.9 General”);
- When requested by the machine, perform the descaling cycle.













21. DISPLAYED MESSAGES



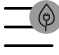






DISPLAYED MESSAGE	POSSIBLE CAUSE	REMEDY
Fill tank with fresh water 	Insufficient water in the tank (A20).	Extract the tank and fill with fresh water, then put back in the appliance.
Insert water tank 	The tank (A20) is not correctly in place.	Insert the tank correctly and press as far as it will go.
Fill water tank and empty grounds container 	The amount of water in the tank is not enough to make the beverage and the message to empty the grounds container will be displayed shortly.	The appliance asks for both operations to be performed so that no further intervention will be necessary and more beverages can be made one after the other without interruption.
Insert infuser assembly 	The infuser (A11) has not been replaced after cleaning.	Insert the infuser as described in section “16.9 Cleaning the infuser”
→		

DISPLAYED MESSAGE	POSSIBLE CAUSE	REMEDY
<p>Empty grounds container</p> 	<p>The grounds container (A25) is full.</p>	<p>Clean as described in section "16.3 Cleaning the coffee grounds container"</p>
<p>Insert grounds container and drip tray</p> 	<p>The grounds container (A25) and/or drip tray (A24) is not correctly in place or is missing.</p>	<p>Insert the drip tray complete with grounds container and press as far as it will go.</p>
<p>Add pre-ground coffee, maximum one measure</p> 	<p>Preparation with pre-ground coffee has been selected.</p>	<p>Make sure the funnel (A3) is not blocked, then add one level measure (C2) of pre-ground coffee, press "Next" on the display and follow the instructions in section "7.4 Making coffee using pre-ground coffee".</p>
<p>Fill beans containers</p> 	<p>The coffee beans have run out.</p>	<p>Fill the beans container (A6).</p>
<p>Remove central outlet cover and coffee spout</p> 	<p>The spouts (A16) and (A17) need cleaning.</p>	<p>Proceed as described in section "16.7 Cleaning the coffee spouts".</p>



DISPLAYED MESSAGE	POSSIBLE CAUSE	REMEDY
<p>Insert descaling spout</p> 	<p>The descaling spout (C7) is not correctly in place or is missing.</p>	<p>Insert the spout and push as far as it will go (fig. 7). The appliance emits a beep (if the beep function is enabled).</p>
<p>Insert milk container</p> 	<p>The milk container (D) is not inserted correctly.</p>	<p>Insert the milk container and push as far as it will go (fig. 23). The appliance emits a beep (if the beep function is enabled).</p>
<p>If needed, fill milk container using the refill lid</p> 	<p>While preparing milk-based beverages, if the milk in the container is not enough to make the selected beverage, the appliance recommends you top up the container (D) without removing it.</p>	<p>Open the refill lid (D2) on the milk container lid (D1) and pour in the milk without exceeding the MAX level.</p>
<p>Cleaning underway</p> 	<p>The appliance has detected impurities in its internal circuits.</p>	<p>Wait for the appliance to be ready again and reselect the required beverage. Contact customer services if the problem persists.</p>
<p>New settings not saved</p> 	<p>While customising the beverages (see section "14. Guided beverage customisation (My ☺)"), preparation has been deliberately interrupted by pressing "Cancel" or an alarm has been triggered.</p>	<p>Press "OK" to go back to the homepage (B) to view the alarm causing the interruption. Follow the instructions corresponding to the alarm displayed (see section "21. Displayed messages ☺")</p>
→		


DISPLAYED MESSAGE	POSSIBLE CAUSE	REMEDY
Ground too fine. Adjust mill using the dedicated function in machine settings. 	The grinding is too fine and the coffee is delivered too slowly or not at all. If the water softener filter (C7) is present, an air bubble may have been released inside the circuit, obstructing delivery.	Press "OK" and adjust the coffee mill (see "6.4 Adjust mill"). Press "OK" and deliver a little water (see section "13. Delivering hot water" ) until the flow is regular. If the problem continues, remove the filter (see section "19.3 Removing the filter")
Select a milder taste or reduce the quantity of pre-ground coffee 	Too much coffee has been used.	Select a milder "Aroma" (see "7.3 Customising the beverages") or reduce the quantity of pre-ground coffee (maximum 1 measure). Press "OK" to go back to the homepage or wait until the message disappears.
Pre-ground mode is not allowed with this beverage 	The pre-ground coffee function has been selected for a beverage where use of pre-ground coffee is not possible/envisaged.	Press "OK" to go back to the previous screen.
STORE milk container in the fridge 	A milk-based beverage has been prepared and the milk container is still inserted in the appliance	Remove the milk container and place in the refrigerator.
Descaling needed. Press "OK" to start (~50 min) 	The machine must be descaled.	To proceed with descaling, press "OK" and follow the guided procedure, otherwise press "Cancel". In this case, the  symbol (B7) appears on the homepage (B) to remind you that descaling is needed (see section "17. Descaling" ).
Replace water filter. Press OK to start 	The water softener filter (C7) is exhausted.	Press "OK" to replace or remove the filter, or "Cancel" to carry out the procedure later. Follow the instructions in section "19. Water softener filter"  .
General alarm: refer to user manual / Coffee Link App 	The inside of the appliance is very dirty.	Clean the inside of the appliance thoroughly, as described in section "16. Cleaning"  . If the message is still displayed after cleaning, contact De'Longhi Customer Services
→		


DISPLAYED MESSAGE	POSSIBLE CAUSE	REMEDY
Water circuit empty. Press OK to start filling process 	The water circuit is empty	Press "OK" to fill the circuit. Delivery stops automatically. It is normal for there to be water in the drip tray (A24) after filling. If the problem persists, make sure the water tank (A20) is fully inserted.
	A new water softener filter has been inserted (C7)	Make sure you have followed the instructions for inserting the new filter (sections "19.1 Installing the filter" and "19.2 Replacing the filter"). If the problem continues, remove the filter (section "19.3 Removing the filter").
	The machine must be descaled and/or the filter must be replaced (C7)	The descaling procedure described in section "17. Descaling" needs to be performed and/or the filter needs replacing or removing as described in section "19. Water softener filter".
	Energy saving is enabled.	To disable energy saving, proceed as described in section "6.9 General".
	Indicates that the appliance is connected.	To disable the connection, proceed as described in section "6.3 Connectivity".
	Connectivity is active, but the cloud cannot be reached.	If just turned on, wait for the appliance to complete the start up procedure.
		If the problem continues, disable the connection then enable again as described in section "6.3 Connectivity".
		Make sure the lights on the router indicate that the network is active.
	This symbol appears on the beverages created from the App.	
	The machine must be descaled.	The descaling procedure described in section "17. Descaling" needs to be performed.
	The filter must be replaced (C7)	Replace the filter or remove it as described in section "19. Water softener filter".
	The tubes inside the milk container (D) must be cleaned.	Turn the froth adjustment dial (D3) to CLEAN (fig. 28).

22. TROUBLESHOOTING

Below is a list of some of the possible malfunctions.

If the problem cannot be resolved as described, contact customer services.

PROBLEM	POSSIBLE CAUSE	REMEDY
The appliance does not come on	The power cord connector (C6) is not inserted correctly.	Insert the connector as far as it will go in the socket at the back of the appliance (fig. 1).
	It is not plugged into the mains socket.	Plug into the mains socket (fig. 1).
	The main switch (A7) is not turned on.	Press the main switch (fig. 2).
The coffee is not hot.	The cups were not preheated.	Warm the cups by rinsing them with hot water (Please note: you can use the hot water function).
	The internal circuits of the appliance have cooled down because 2-3 minutes have elapsed since the last coffee was made.	Before making the coffee, heat the internal circuits by rinsing using the rinse function (see section "6.1 Rinsing").
	A low coffee temperature is set.	Set a hotter coffee temperature in the settings menu (B6) (see section "6.5 Coffee temperature").
	The machine must be descaled	Proceed as described in section "17. Descaling  ". Then check water hardness ("18.1 Measuring water hardness") and make sure the appliance is set to the actual hardness ("18.2 Setting water hardness").
The coffee is weak or not creamy enough.	We suggest you access Bean Adapt Technology in the Coffee Link App to adjust this parameter to an appropriate setting for the coffee beans used. On the other hand, please also check the following:	
	The coffee is ground too coarsely.	Enter the settings menu (B6) and adjust the coffee mill. The effect is only visible after delivering 5 coffees (see section "6.4 Adjust mill").
	The coffee is unsuitable.	Use coffee for espresso machines.
	The coffee is not fresh.	The coffee pack has been opened for too long and has lost its taste.
The coffee is delivered too slowly or a drop at a time.	The coffee is ground too finely.	Enter the settings menu (B6) and adjust the coffee mill. The effect is only visible after delivering 5 coffees (see section "6.4 Adjust mill").
Coffee does not come out of one or both of the spouts.	The coffee spouts(A16) and (A17) are clogged.	Clean as described in section "16.7 Cleaning the coffee spouts".
→		

PROBLEM	POSSIBLE CAUSE	REMEDY
The coffee delivered is watery	We suggest you access Bean Adapt Technology in the Coffee Link App to adjust this parameter to an appropriate setting for the coffee beans used. On the other hand, please also check the following:	
	The pre-ground coffee funnel (A3) is clogged.	Open the door (A2), extract the funnel and clean with the help of the brush (C5) as described in section "16.8 Cleaning the pre-ground coffee funnel".
The appliance will not make coffee	The appliance has detected impurities in its internal circuits. "Cleaning underway" is displayed.	Wait for the appliance to be ready again and reselect the required beverage. Contact customer services if the problem persists.
The infuser cannot be removed	The appliance has not been turned off correctly	Turn the appliance off by pressing the  button (A9) (see section "5. Turning the appliance off").
At the end of descaling, the appliance requests a third rinse	During the two rinse cycles, the water tank (A20) has not been filled to the MAX level	Follow the instructions displayed by the appliance, but first empty the drip tray (A24) to avoid the water overflowing.
Milk does not flow from the milk spout (D7)	The lid (D1) of the milk container (D) is dirty	Clean the milk container lid as described in section "16.10 Cleaning the milk container (D)".
The milk contains large bubbles and squirts out of the milk spout (D7) or there is little froth	The milk is not cold enough or is not semi-skimmed or skimmed.	Use skimmed or semi-skimmed milk at refrigerator temperature (about 5° C). If the result is not as you wished, try changing brand of milk.
	The milk container lid (D1) is dirty	Clean the milk container as described in section "10.5 Cleaning the milk container after use"
	Vegetable beverages have been used.	For best results, use beverages at refrigerator temperature (about 5° C). Adjust the amount of froth as described in section "10.4 Customising the beverages"
The cup shelf (A1) is hot.	A number of beverages have been prepared in rapid succession	
The machine emits noises or small puffs of steam while not in use	The machine is ready for use, or has recently been turned off, and condensate is dripping into the hot vaporiser	This is part of normal operation. To limit the phenomenon, empty the drip tray.
The appliance emits puffs of steam from the drip tray (A24) and/or there is water on the surface the appliance rests on.	The drip tray grille (A22) has not been replaced after cleaning.	Put the drip tray grille back in the drip tray.
The inside of the machine is wet and there is condensation	The machine's cooling circuit is not working correctly. You are continuing to use the machine even though the "MACHINE COOLING FAULT" alarm is displayed	Turn the machine off and leave it to cool down. If the problem persists, contact De'Longhi Customer Services
The App is not working	App malfunction	Close the App, then run it again
The App indicates a problem, but there is no problem with the appliance	The data between the appliance and App are not synchronised	Disable connectivity, then enable again (section "6.3 Connectivity").

Register Now 
www.delonghi.com/register

